

ELECTRIC SCISSOR LIFTS

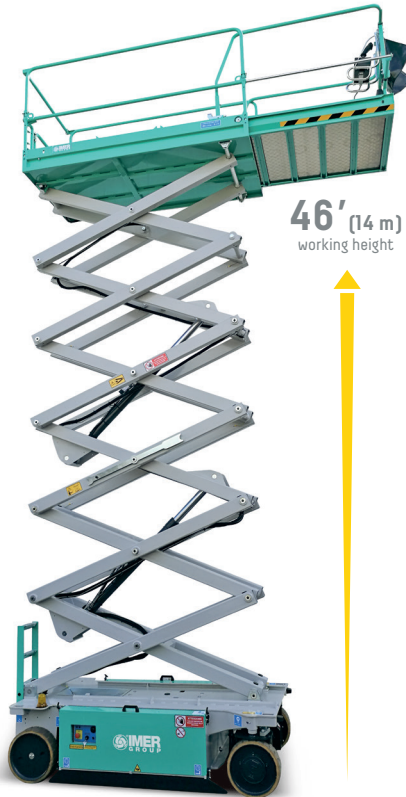
Series IM 47

STANDARD EQUIPMENT

- Electric front wheel drive motors
- Negative electromagnetic parking brakes with electric disengagement
- 90° steering
- Manual deck extension of 51"
- Manual emergency lowering device
- Cylinder holding valve
- Heavy duty traction batteries 24V-250Ah/300Ah (c5)
- Battery charger with automatic switch-off
- Audible motion alarm, horn, hour meter
- Inclinometer with motion cut out and alarms
- Mechanical wheel drive release for emergency hauling
- Cushioned non-marking tires
- Electrical scissor protection
- Pothole protection
- Battery control system with low-voltage cut-out protection
- Fold down railings
- Overload sensor
- CE - EN 280 / ANSI 92.20 marking
- AC power to platform
- Flashing beacon
- Proportional controls with diagnostics

OPTIONAL EQUIPMENT

- 120 V cable with plug, socket and safety cut-out
- Gel battery IM 47
- Kit 2° rotating beacon



IM 4746



IM 4752



Easily accessible and safely stored battery compartment

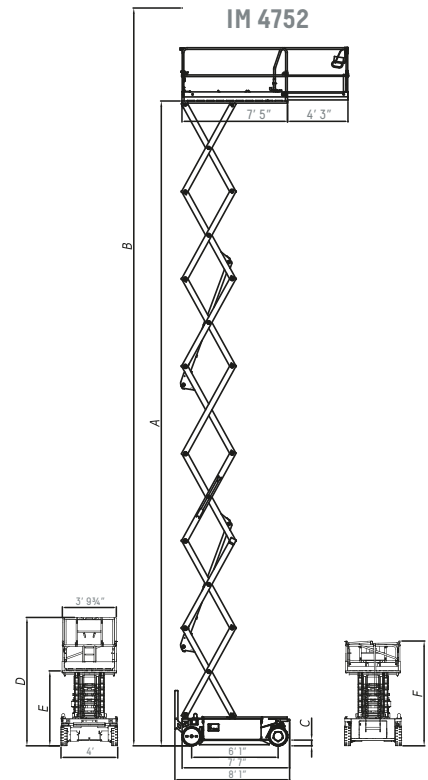
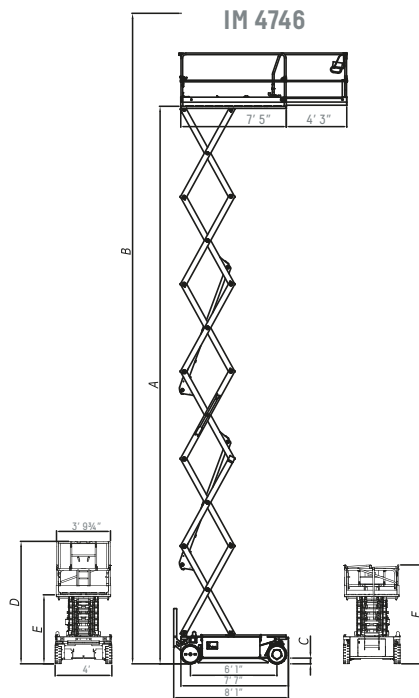


Sturdy, simple and intuitive control box on platform

INDOOR USE



New design of the AWP and the scissor pack



IM 47	IM 4746				IM 4752			
	Metric		US		Metric		US	
Number of scissors	6		6		7		7	
A	mm	12000	ft	39' 4"	mm	13900	ft	45' 7"
B	mm	14000	ft	45' 11"	mm	15900	ft	52' 2"
C (Pot-hole raised/lowered)	mm	120/22	inch	4.72/0.86	mm	120/22	inch	4.72/0.86
D	mm	2619	ft	8' 7"	mm	2746	ft	9
E	mm	1489	ft	4' 10 1/2"	mm	1616	ft	5' 3 1/2"
F	mm	2112	ft	6' 11"	mm	2239	ft	7' 4"
Capacity for indoor use / number of people	kg / #	350 / 3	lb	771.68	kg / #	250 / 2	lb	551.15
Electric drive motors	V / kW	24 / 3.0	V / HP	24 / 4.0	V / kW	24 / 3.0	V / HP	24 / 4.0
Lifting power pack – hydraulic type	V / kW	24 / 3.0	V / HP	24 / 4.0	V / kW	24 / 4.0	V / HP	24 / 5.3
Lifting / Lowering time (loaded)	sec	68 / 55	sec	68 / 55	sec	68 / 67	sec	68 / 67
Traction battery	V / Ah	24 / 300	V / Ah	24 / 300	V / Ah	24 / 300	V / Ah	24 / 300
Battery weight	kg	4x53	lb	4x116.84	kg	4 x 53	lb	4x116.84
Battery charger	V / A	24 / 30A	V / A	24 / 30A	V / A	24 / 30A	V / A	24 / 30A
Oil tank capacity	l	17	gal	4.9	l	17	gal	4.9
Traction speed	km / h	4	mph	2.5	km / h	4	mph	2.5
Safety traction	km / h	0.6	mph	0.4	km / h	0.6	mph	0.4
Gradeability	%	25	%	25	%	25	%	25
Internal steering radius	m	0	inch	0	m	0	inch	0
External steering radius	m	2.35	inch	92' 6"	m	2.35	inch	92' 6"
Tire dimensions	mm	410 x 130	inch	16" x 5"	mm	410 x 130	inch	16" x 5"
Tire type	cushion		cushion		cushion		cushion	
Max side/longitudinal tilt angle	degrees	1.8 / 3.0	degrees	1.8 / 3.0	degrees	1.2 / 2.0	degrees	1.2 / 2.0
Total weight	kg	2915	lb	6430	kg	3000	lb	6614