

NOTES: UNLESS OTHERWISE SPECIFIED  
 1. ALL DIMENSIONS ARE THEORETICALLY SHARP.  
 2. REMOVE BURRS AND BREAK ALL SHARP EDGES .03 MAX.  
 3. ALL DIMENSIONS ARE IN INCHES UNLESS OTHERWISE STATED.  
 4. PARTS SHALL BE FREE OF GREASE AND CUTTING FLUID.  
 5. COATED WITH A BLACK RUST INHIBITOR FINISH.

Made of Aluminum

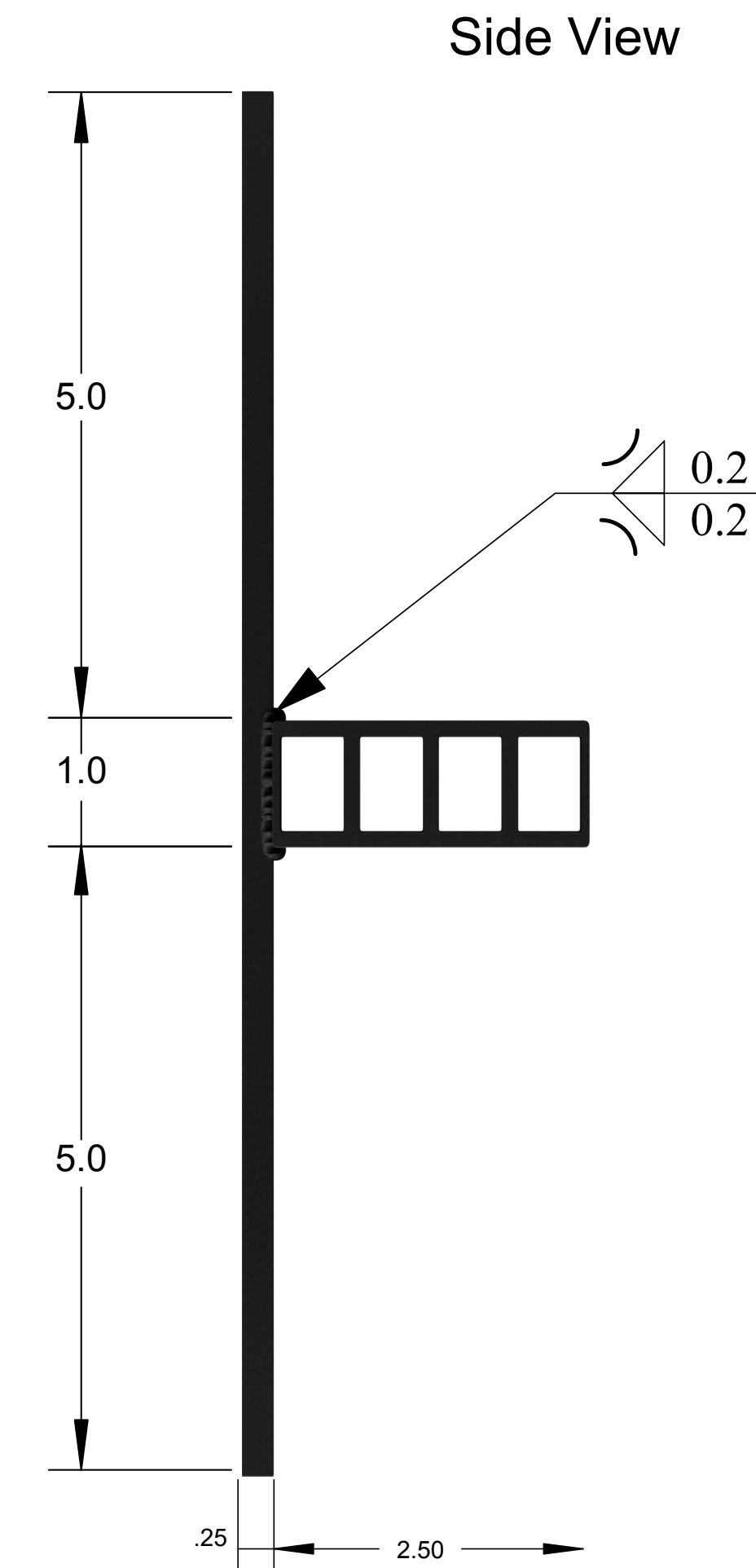
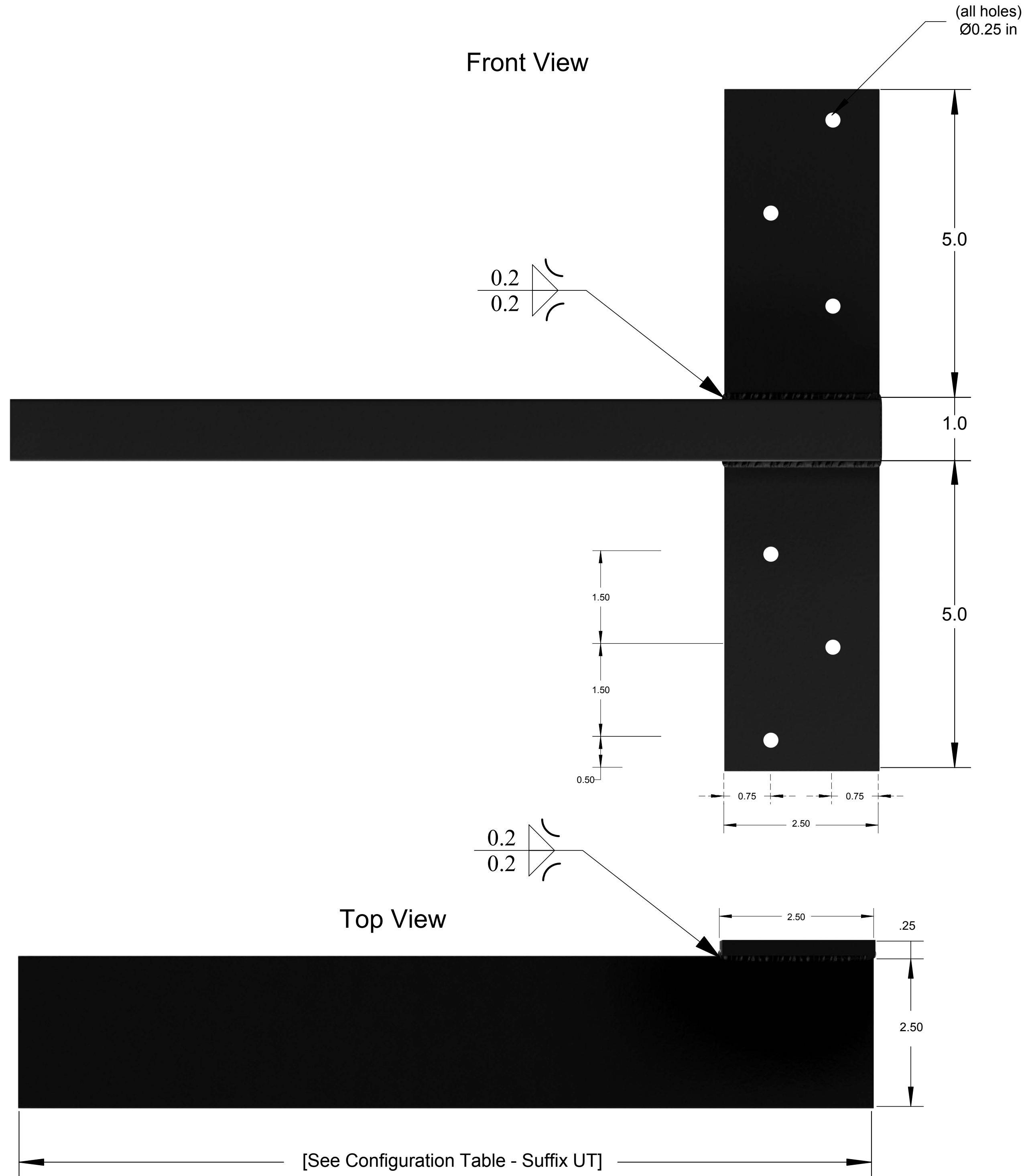
Assemblies

REVISION STATUS - EACH SHEET IS MARKED WITH ITS REVISION


ZONE	REV.	DESCRIPTION	DATE	APPROVED
	A	INITIAL RELEASE	01/07/21	

Model	Length
IFH-12-U	12"
IFH-14-U	14"
IFH-16-U	16"
IFH-18-U	18"
IFH-20-U	20"
IFH-22-U	22"
IFH-24-U	24"
IFH-26-U	26"
IFH-28-U	28"
IFH-30-U	30"
IFH-32-U	32"

Configuration	Extension (n)
Universal	U



**APPROVED**

UNLESS OTHERWISE SPECIFIED DIMENSIONS ARE IN INCHES		ENGINEER			
TOLERANCES ARE:		ENGINEER			
ANGLES		ENGINEER			
.XX = .01    XX* = 1°		CHECKED			
.XXX = .005		DRAWN	SMR	10/14/20	TITLE
		MANAGER APPROVAL			Industrial Free Hanging Shelf Bracket, Universal
INTERPRET DRAWINGS IN ACCORDANCE WITH:		THE INFORMATION ON THIS DRAWING IS PROPRIETARY AND SHALL NOT BE DISCLOSED, USED OR DUPLICATED FOR PROCUREMENT OR MANUFACTURING PURPOSES WITHOUT THE EXPRESS WRITTEN CONSENT OF THE ORIGINAL GRANITE BRACKET.			SIZE
ASME Y14.100 ENGINEERING DRAWING PRACTICES					CAGE CODE
ASME Y14.38 ABBREVIATIONS					DWG NO
ASME Y14.5 DIMENSIONING AND TOLERANCING					FHI-xx-x
ASME Y14.6 SCREW THREAD REPRESENTATION					REV
AWS A2.4 WELDING SYMBOLS					A
IEEE STD 315 SYMBOLS FOR ELECTRICAL AND ELECTRONIC DIAGRAMS					SCALE
					SHEET 1 of 1