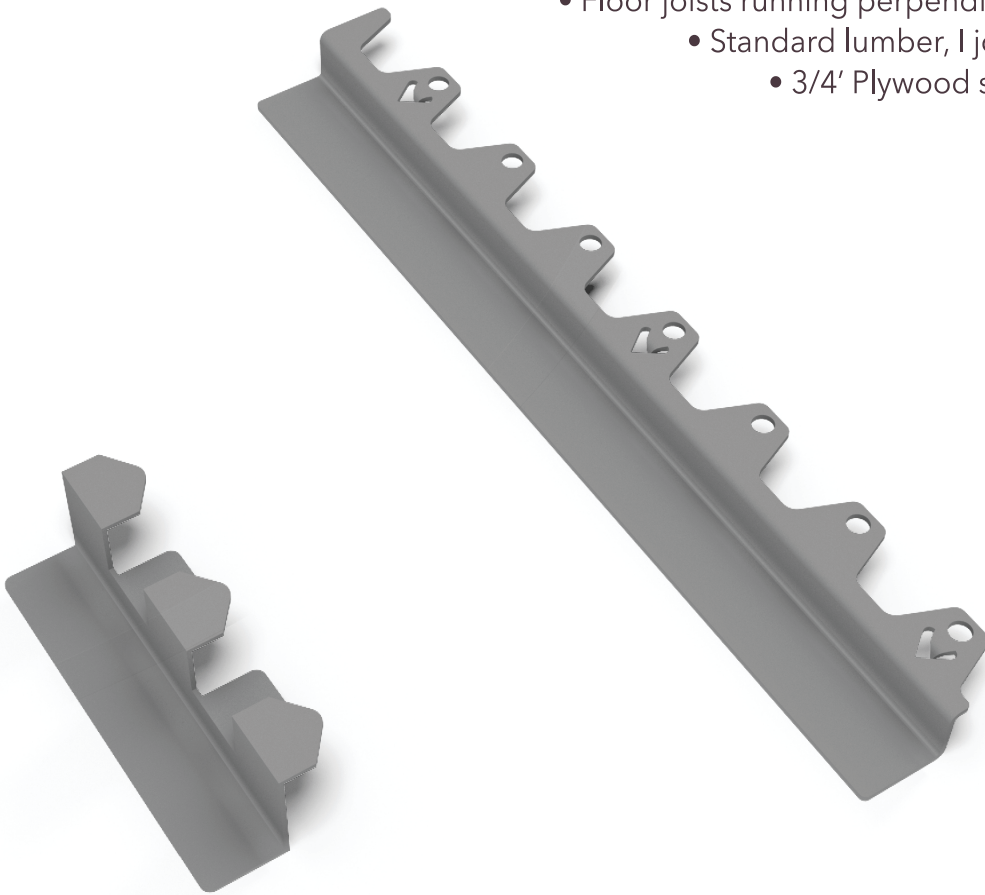


# RAPID RECESS

Lowering Floors for Curbless Showers

## For Perpendicular joist installations

- Floor joists running perpendicular to the shower entry
  - Standard lumber, I joists or trusses
  - 3/4' Plywood sub-floor

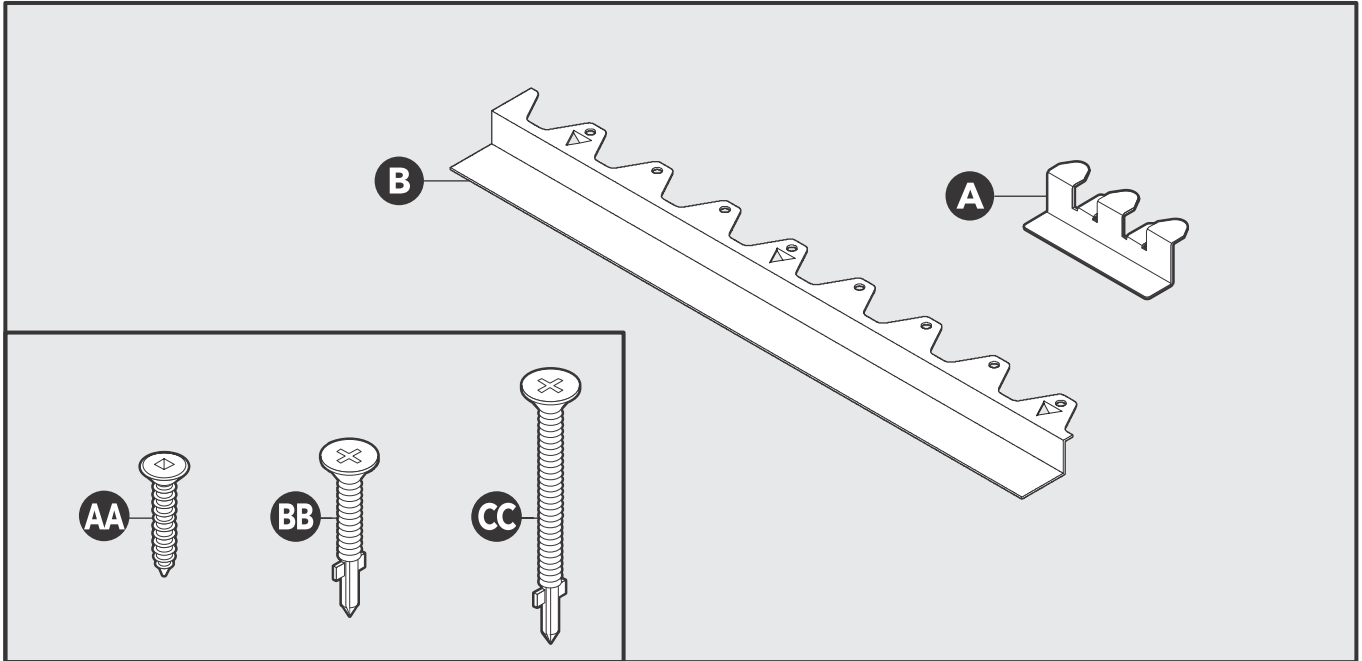


## Installation Instructions

---

Rapid Recess  
P.O.Box 2107, Silverthorne, CO 80498  
[rapidrecess.com](http://rapidrecess.com)

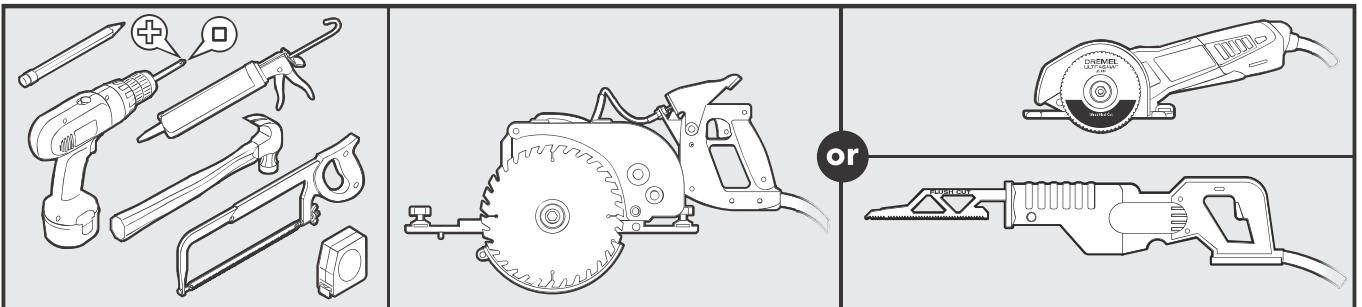
## Parts Included



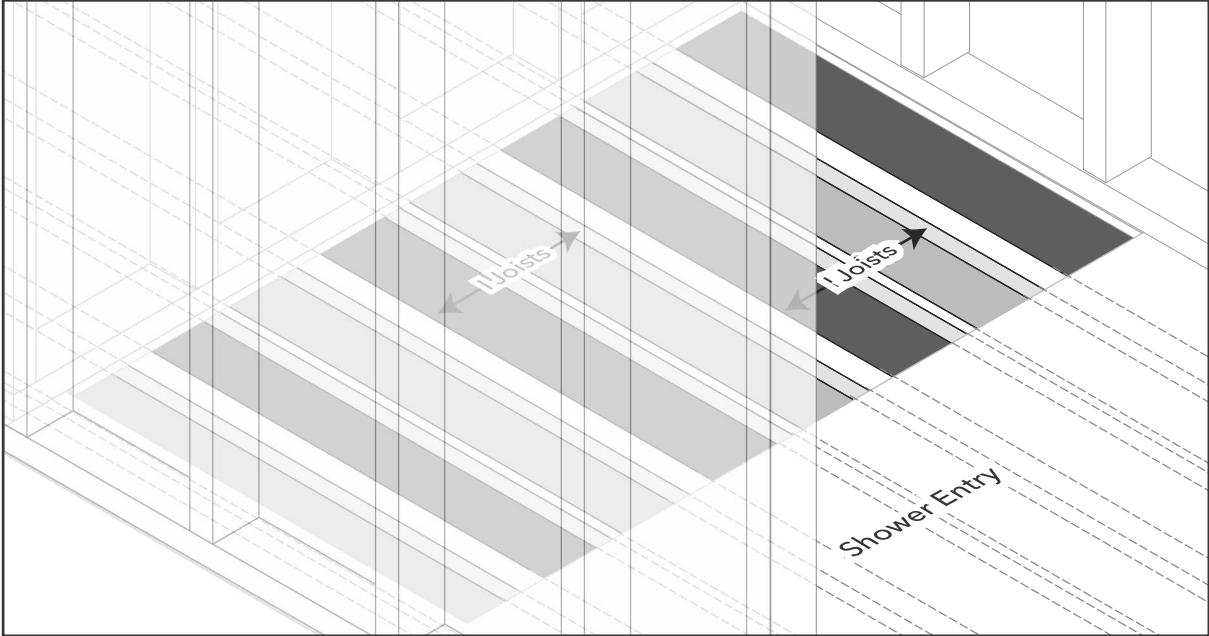
- A.** Z-Bracket (5" long)
- B.** T-Bracket (12" long)

- AA.** #10 x 1 1/4" Flat-head square drive wood screw
- BB.** #10 x 1 5/8" wood to metal self-drilling screws with wings
- CC.** #10 x 2 3/4" wood to metal self-drilling screws with wings

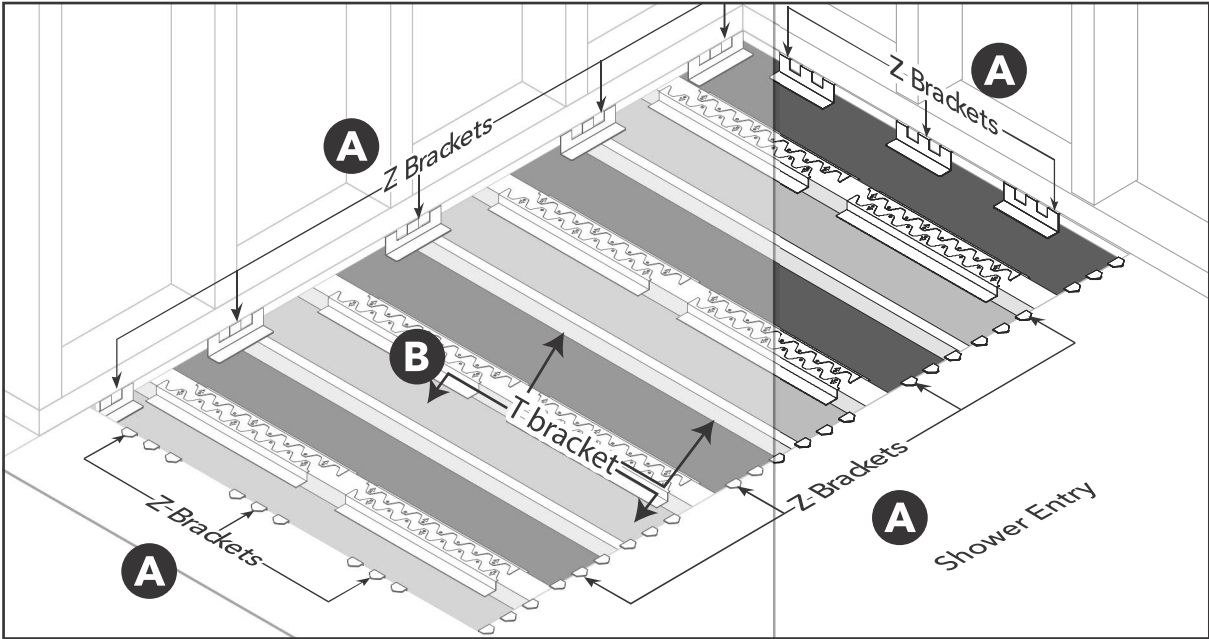
## Tools Needed



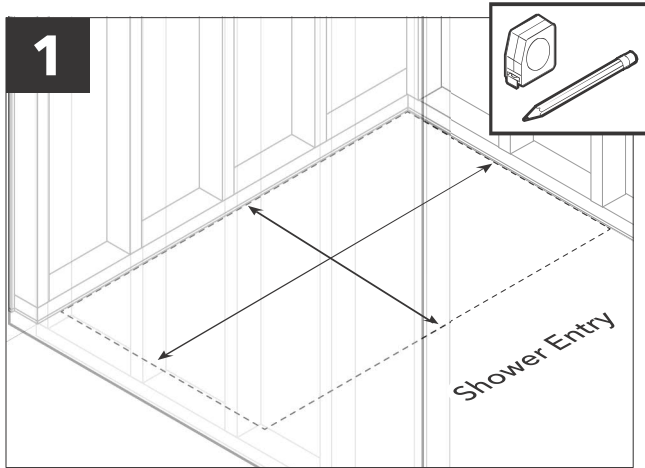
# Bracket Placement Overview



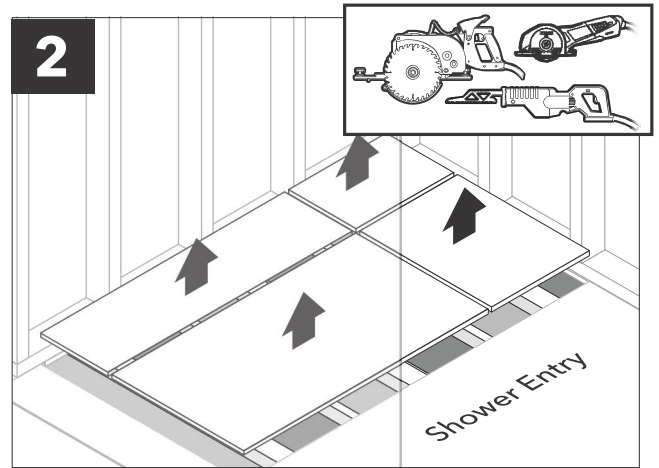
When joists are running perpendicular to the shower entry cut out the plywood flush with the bottom plate of framing and 1/4" wider than the shower pan at the entry.



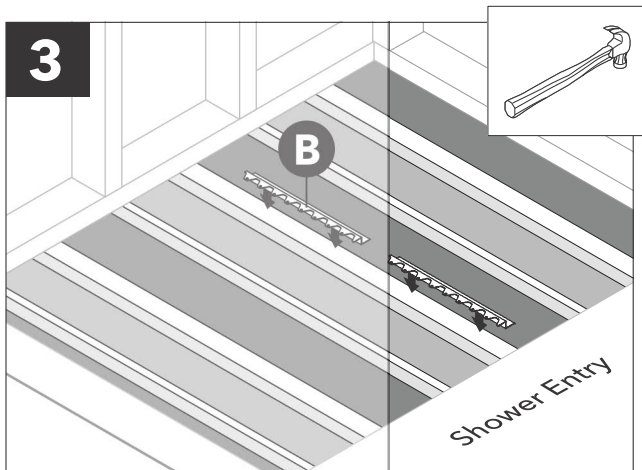
## Site Preparation



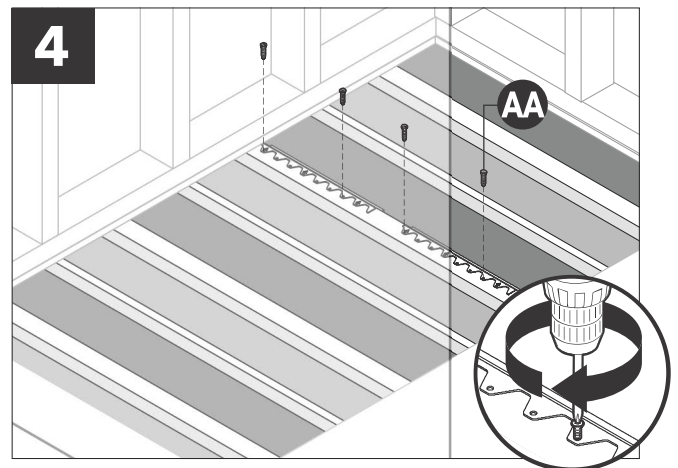
Measure and mark subfloor to be removed.



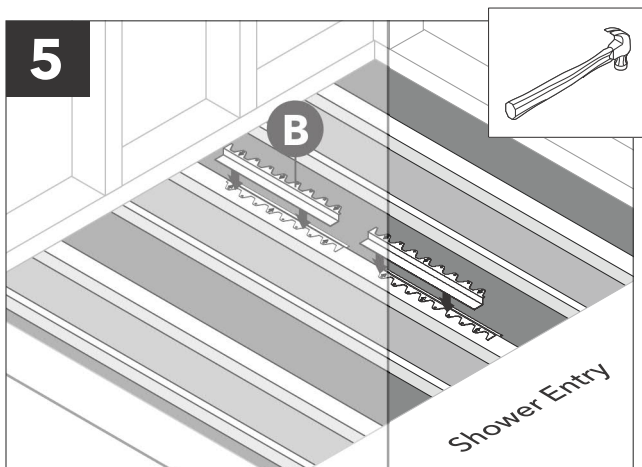
Use a recommended saw to flush the cut marked portions of subfloor and remove.



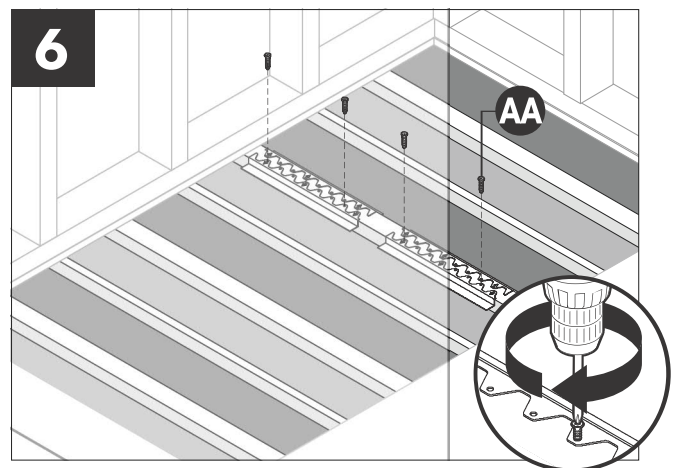
Remove any adhesive left over from the original plywood. Place T-bracket (B) on one side of the floor joist (bracket should be flush against the top and side of the joist). Tap with a hammer over the nail tabs to secure in place.



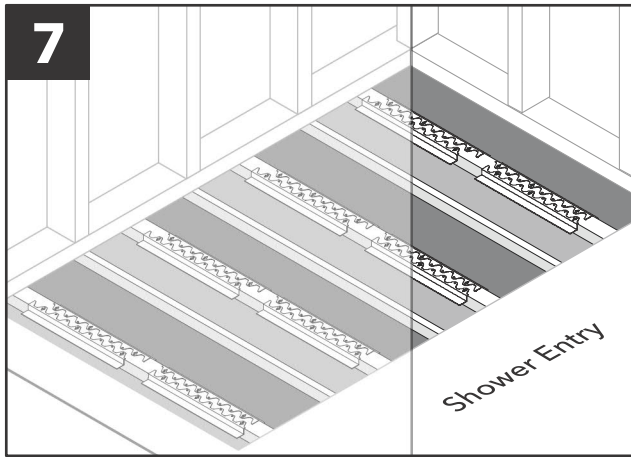
Secure T-bracket to the floor joist with AA. # 10 x 1 1/4" Flat-head square drive wood screw.



Place T-bracket (B) on the opposite side of floor joist (bracket should be flush against top and side of joist). Cut T-bracket (B) to size if needed.

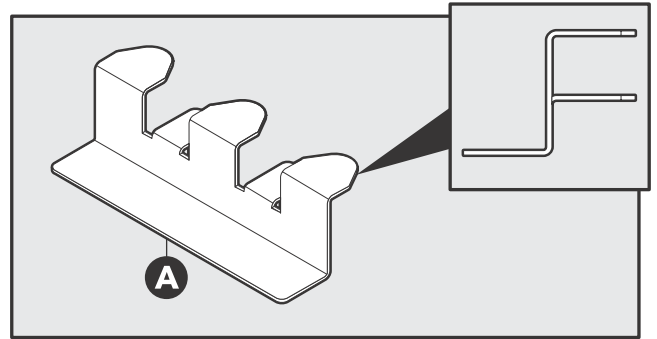


Secure the T-bracket to the top of the floor joist with AA. # 10 x 1 1/4" flat-head square drive wood screw.



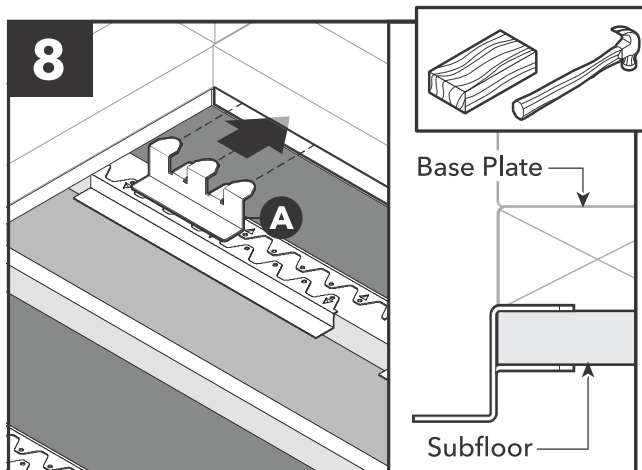
Repeat steps 1-6 for remaining floor joists and T-brackets (B).

## Bracket Installation

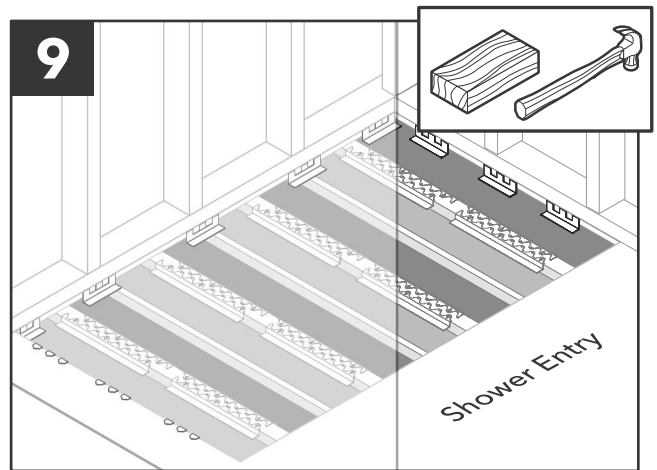


Z brackets (A) upper tabs will be installed under the base plate where there is a wall at the shower pan and on top of the plywood at recess transition.

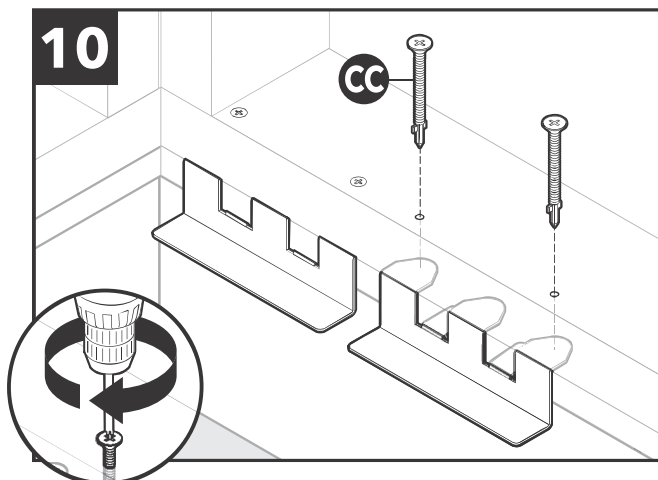
Note: Use one bracket per joist bay opening and two brackets per foot or per joist opening at the entry.



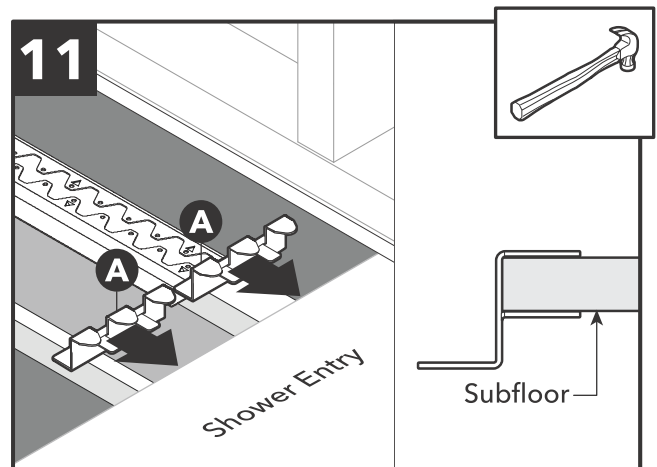
Place a Z-bracket (A) along side wall with tabs above and the below subfloor. Use a scrap 2 x 4 during installation to keep from damaging bracket.



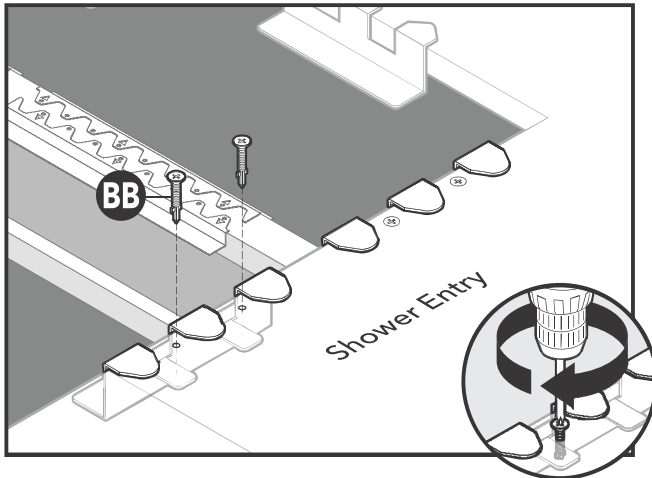
Continue placing Z-brackets along the side and rear walls (one bracket per linear foot and one bracket per opening between floor joists). Use a scrap 2 x 4 during installation to keep from damaging bracket.



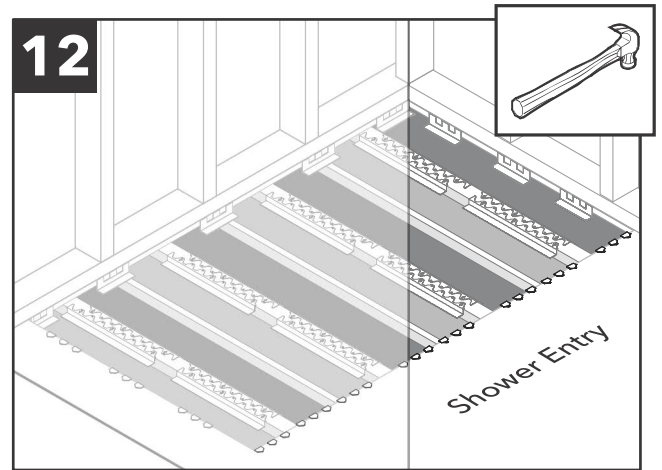
With Z-brackets (A) mounted in a level position, install CC. #10 2 3/4" wood to metal self-drilling screws with wings through the base plate and into both outer tabs of Z-brackets.



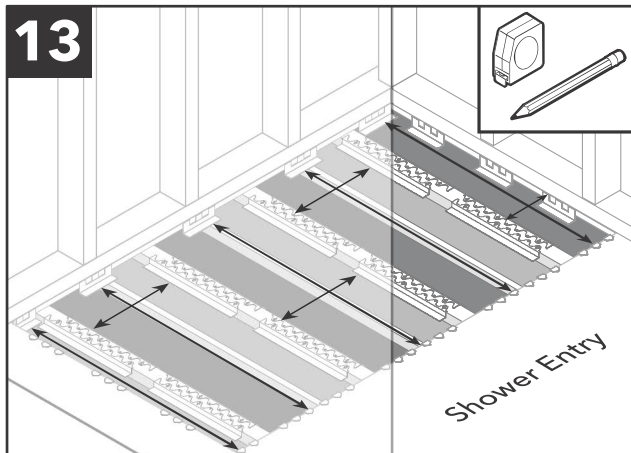
Place Z-brackets (A) into position (two per joist bay) on top of the subfloor at the threshold (or at the side of shower where there is no framed wall) with tabs above and below subfloor.



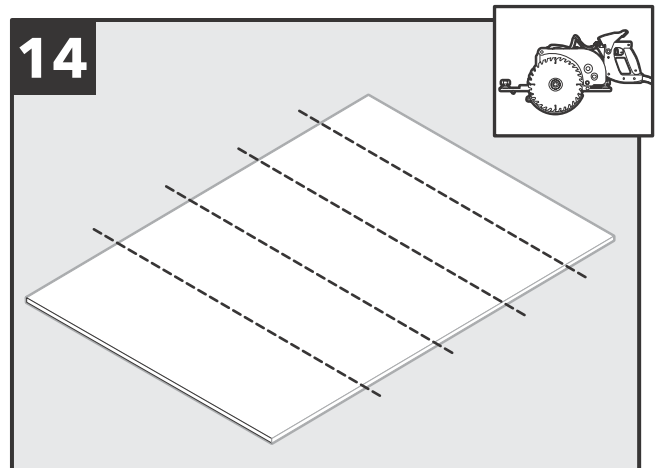
OPTIONAL: Secure Z-bracket by installing BB. #10 1 5/8" wood to metal self-drilling screws with wings through the subfloor and into the Z-bracket lower tabs.



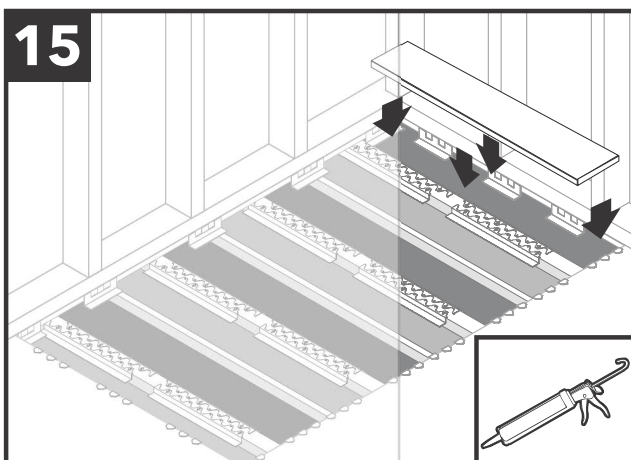
Continue placing Z-brackets into position on top of subfloor and at the threshold (or at the side of shower where there is no framed wall).



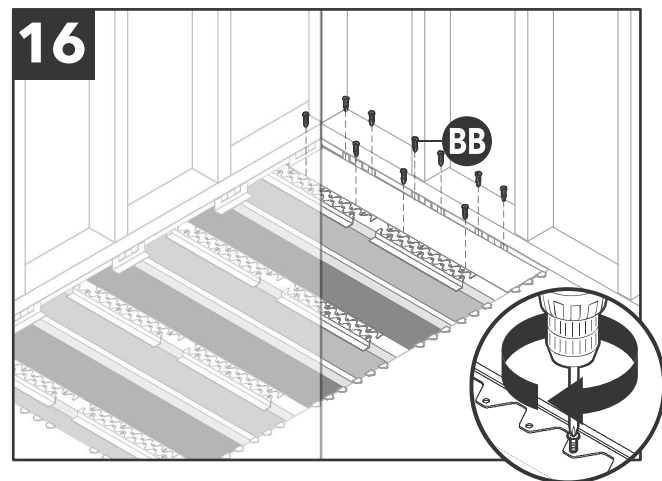
Measure the distance between main brackets on the floor joists and Z-brackets for length and width of the plywood strips to be cut.



Using measurements from the previous step, cut the plywood strips 1/8" shorter and narrower to fit loosely into the opening.

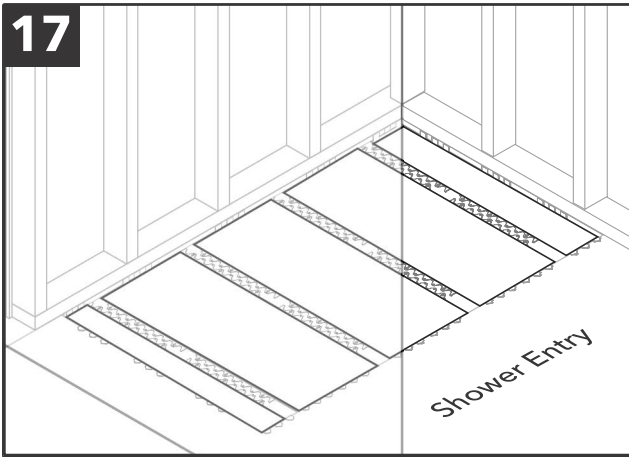


Use construction adhesive for plywood and brackets. Place the plywood strip into position on brackets.

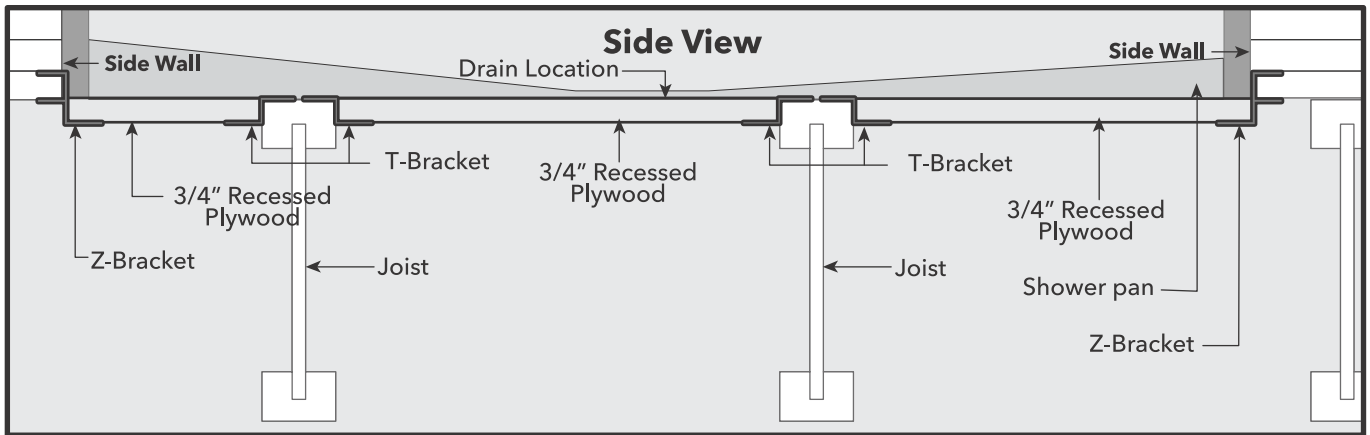


Secure the plywood strip to Z-brackets and T-brackets with BB. #10 1 5/8" wood to metal self-drilling screws with wings - 2 screws per T-bracket and 1 screw per Z-Bracket.

17



Repeat steps 15-16 for remaining plywood strips.



Overview of bracket and recess plywood placement (side view).

