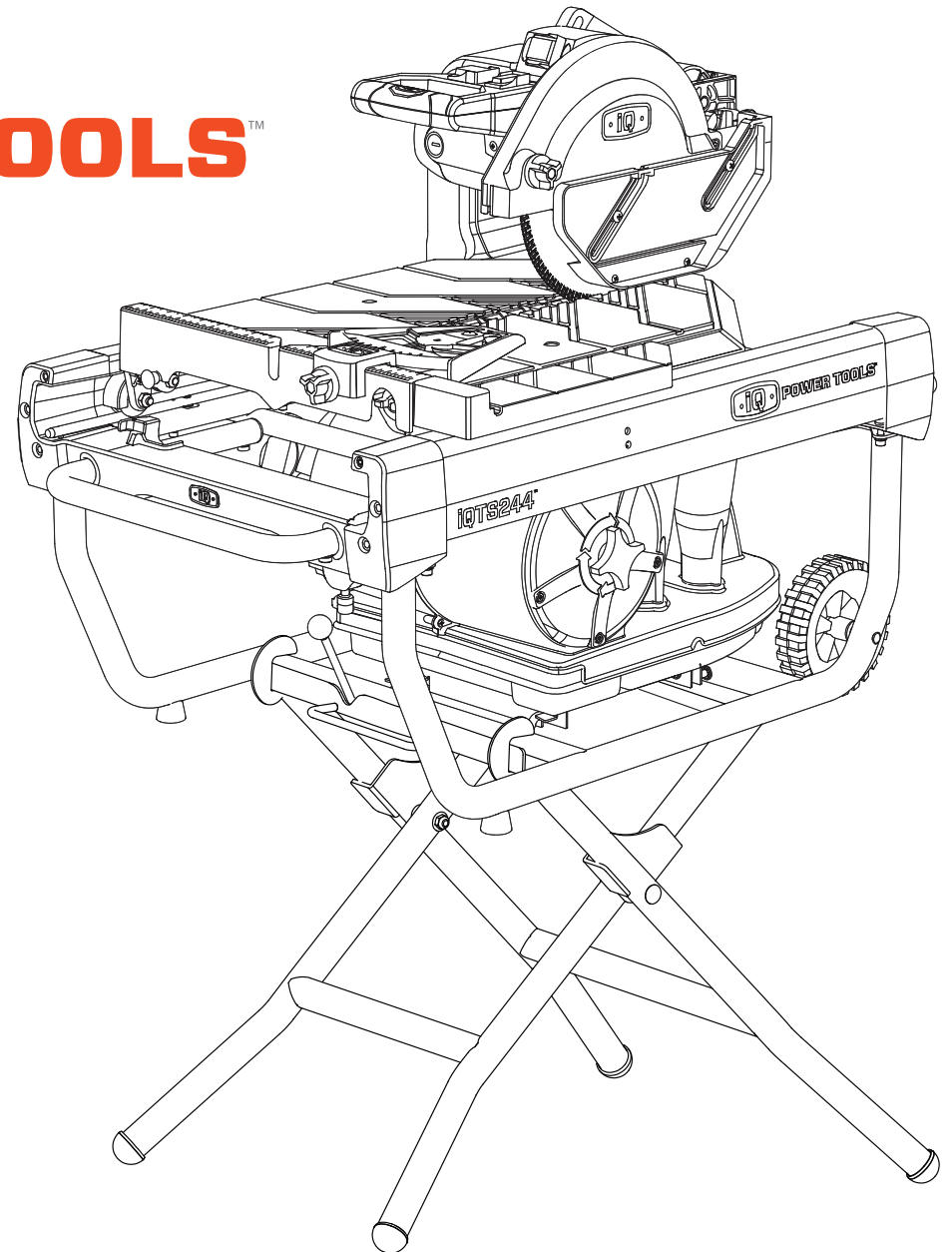




POWER TOOLS™

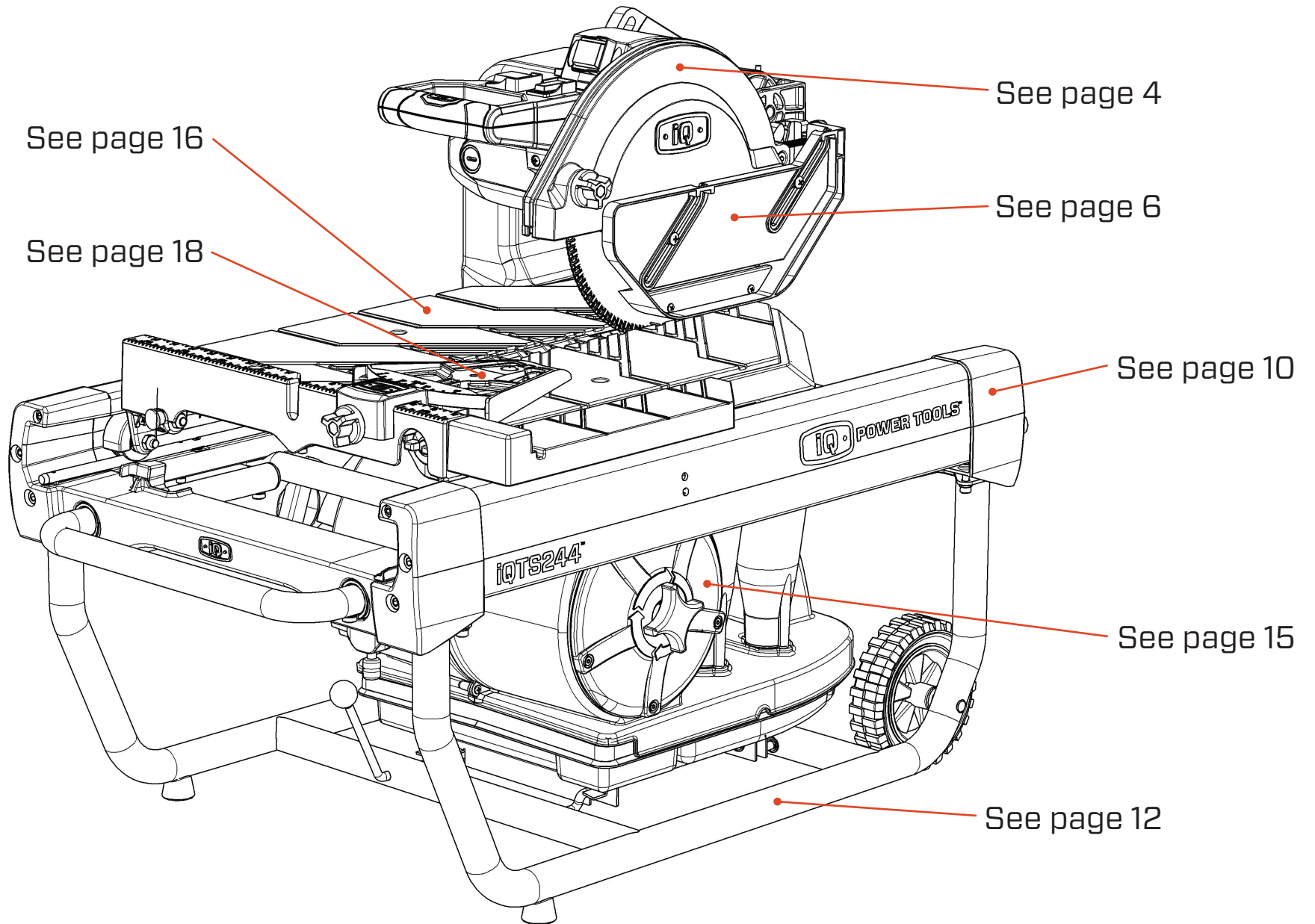


iQTS244 US

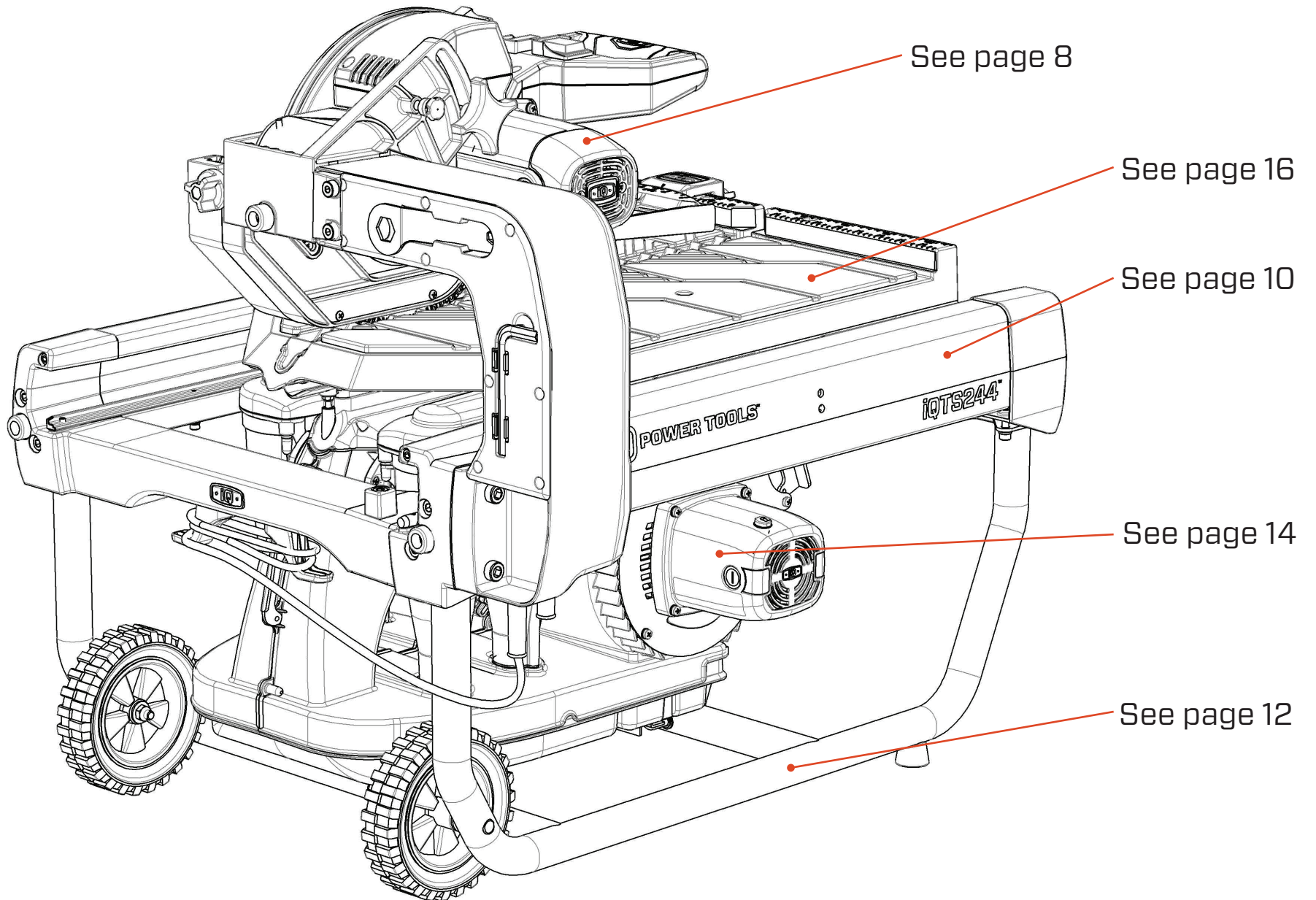
Parts Manual

M-iQTS244-001-PM1118

FRONT ANGLED VIEW

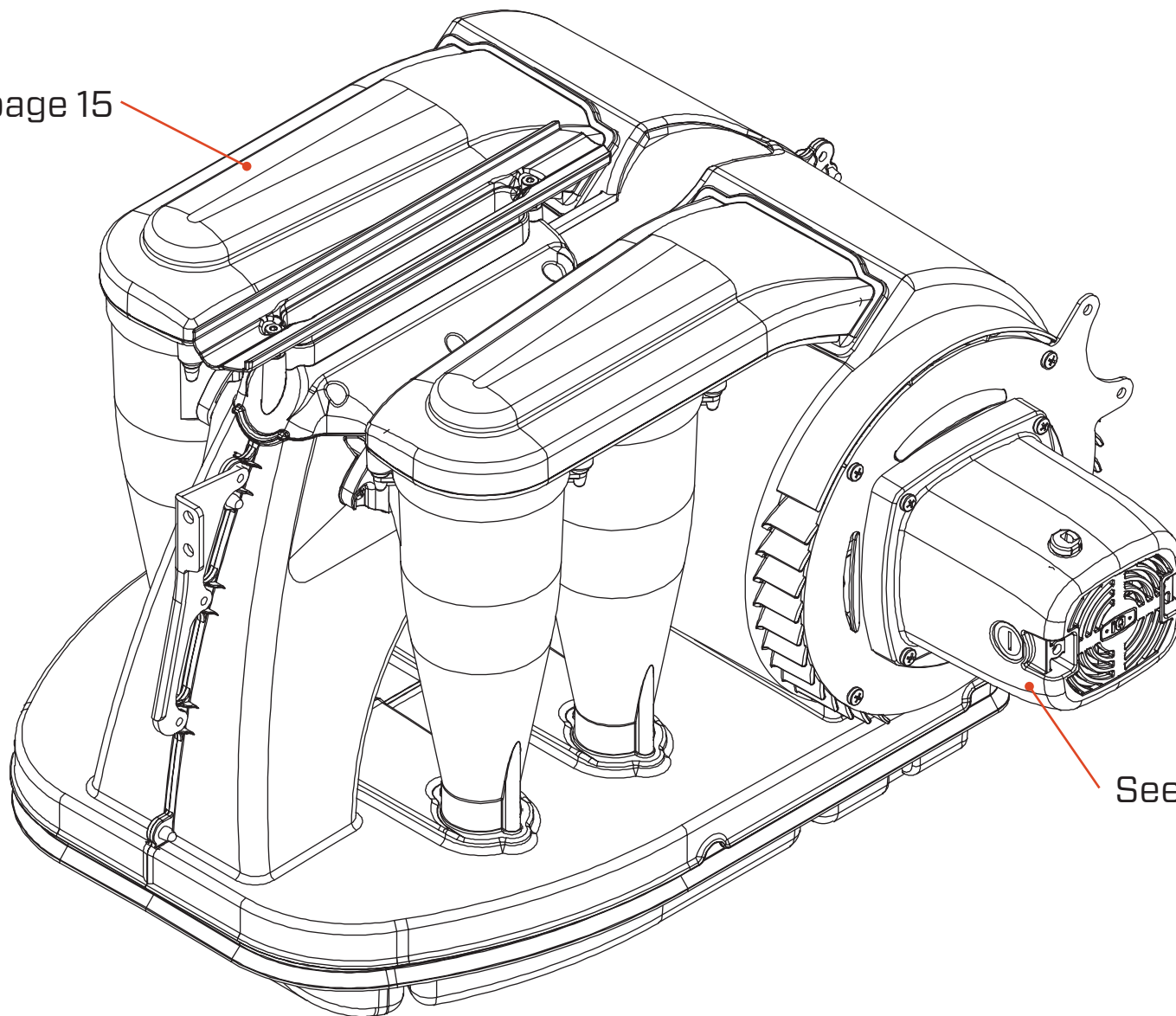


BACK ANGLED VIEW



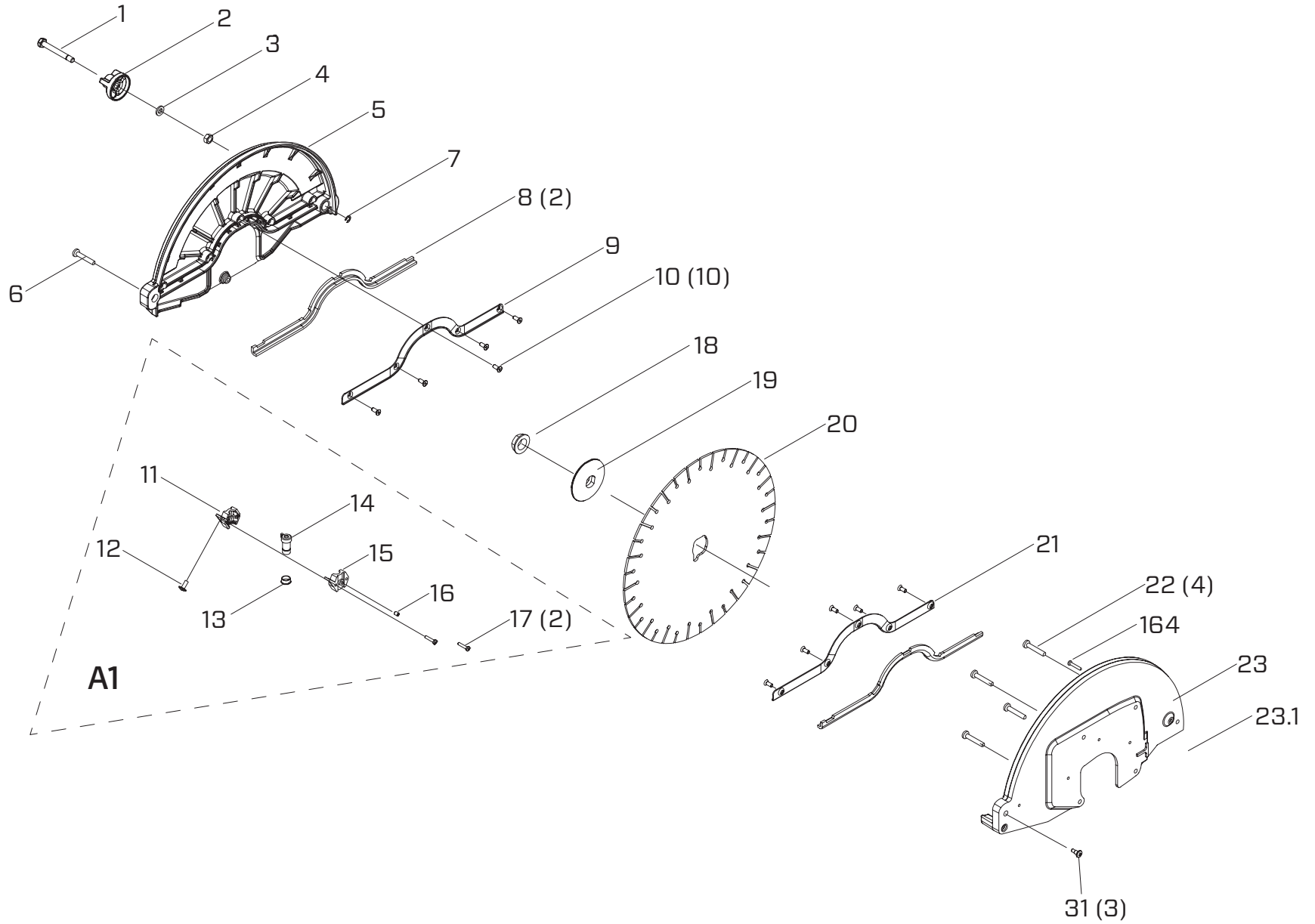
VACUUM SYSTEM VIEW

See page 15



See page 14

BLADE GUARD

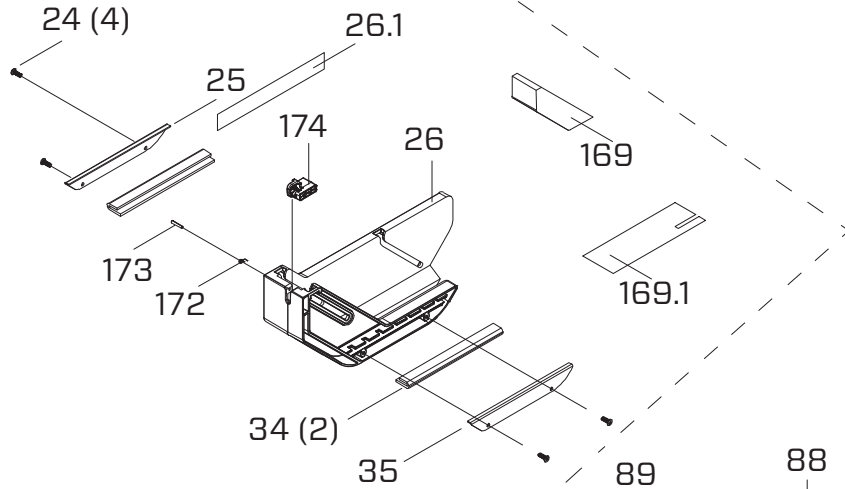


BLADE GUARD

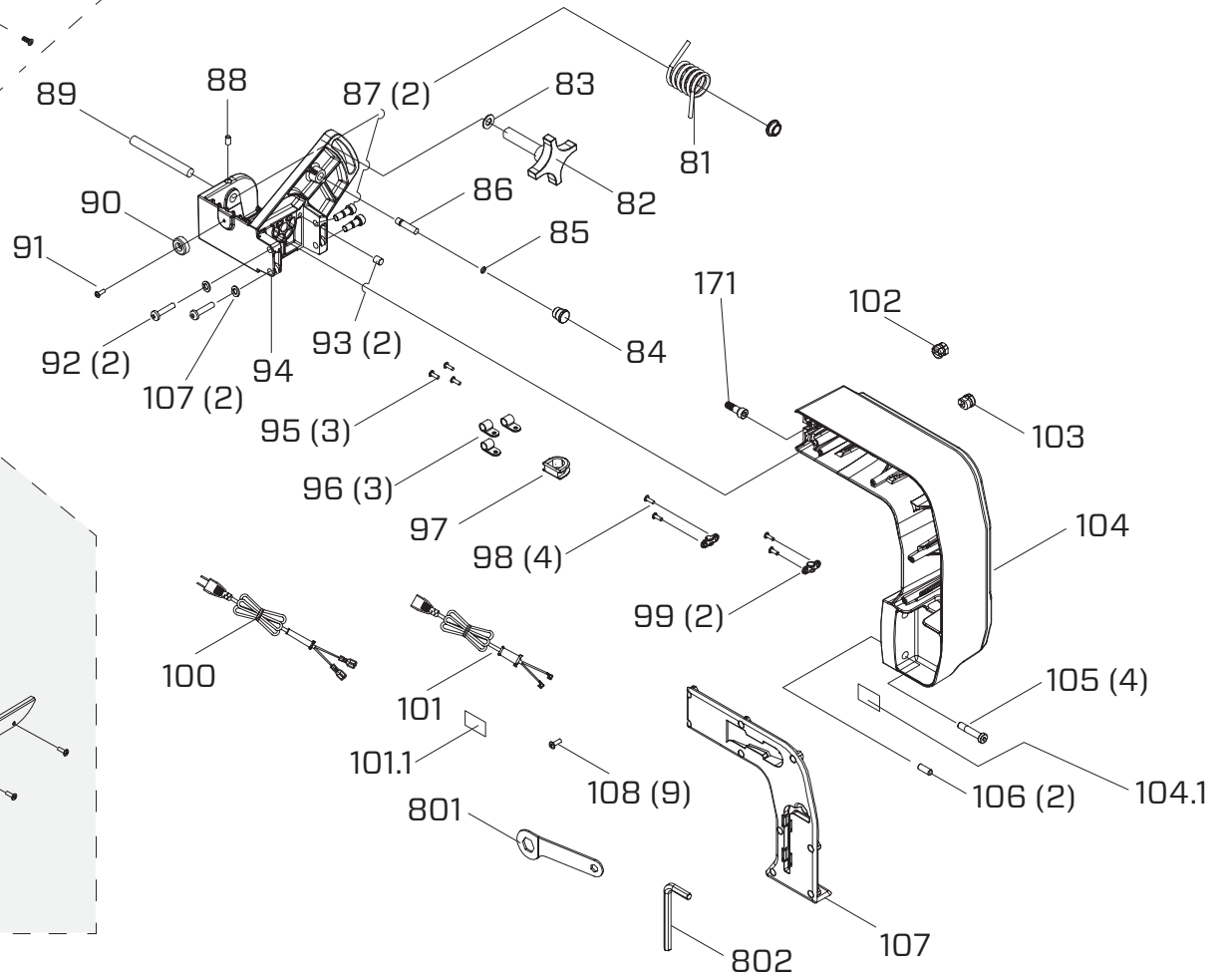
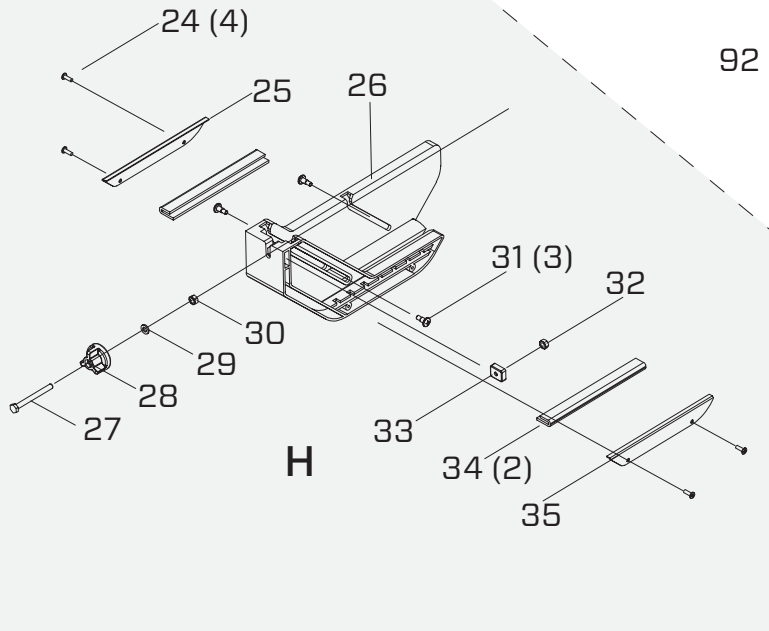
ASSEMBLY KIT / SET	ITEM NO	QTY	PART NO	DESCRIPTION
A1	A1	1	0244-25002-01	Laser Assembly
K1	K1	1	0244-90026-01	Blade Guard Knob Kit
	1	1		Screw
	2	1		Knob
	3	1		Washer
	4	1		Lock Nut
	6	1		Screw
	7	1		Clip
	5	1	0244-00005-01	Outside Blade Guard
SET	8	2	0244-00008-01	Dust Seal
	9	1	0244-00009-01	Seal Plate
SET	10	10	0244-00010-01	Screw
K2	K2	1	0244-90037-01	Arbor Kit
	18	1		Arbor Nut
	19	1		Flange, Outside
	20	1	TLD10-060P-QD-Combo	Q-Drive Plus-Tile Blade Dry 10" x .060 Platinum - Combo
	21	1	0244-00021-01	Seal Plate
SET	22	4	0244-00022-01	Screw
	23	1	0244-00023-01	Inside Blade Guard
	31	3	0244-00031-01	Screw
	164	1	0244-00164-01	Self Tapping Screw

DUST GUARD & SUPPORT ARM

V.2



V.1



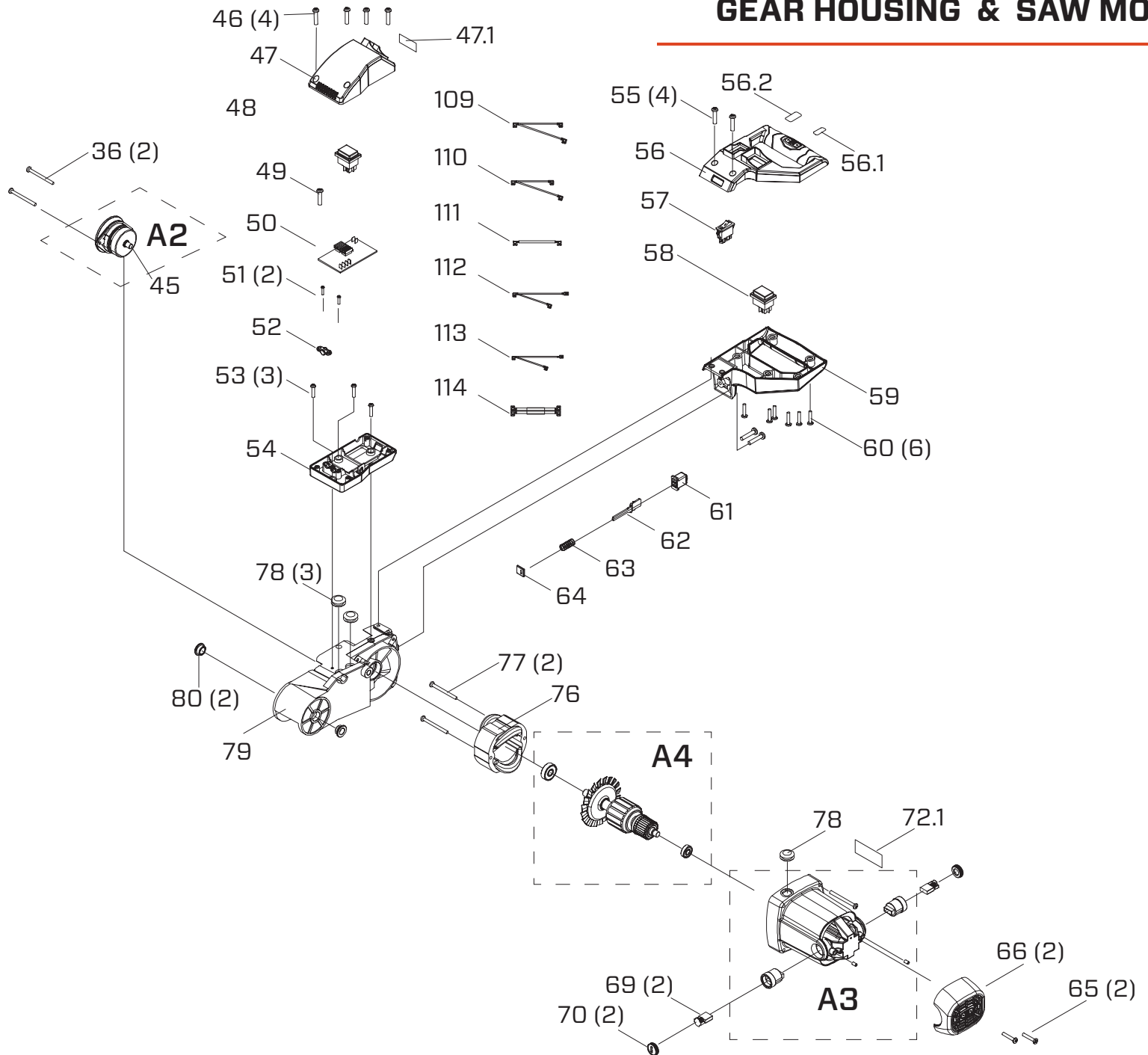
NOTE: v.1 Superseded by above v.2

DUST GUARD & SUPPORT ARM

ASSEMBLY KIT / SET	ITEM NO	QTY	PART NO	DESCRIPTION
K3	K3	1	0244-90038-01	Dust Guard Seal
	34	2		Dust Seal
	169	1		Dust Guard Foam
K4	K4	1	0244-90003-01	Dust Guard Kit
	24	4		Tap Screw
	25	1		Seal Plate
	26	1		Dust Guard
	34	2		Dust Seal
	35	1		Seal Plate
	169	1		Dust Guard Foam
	172	1		Spring
	173	1		Spring Pin
	174	1		Quick Set
	81	1	0244-00081-01	Torsion Spring
K5	K5	1	0244-90039-01	Knob Kit
	82	1		Knob
	83	1		Flat Washer
K6	K6	1	0244-90040-01	Lock Pin Kit
	84	1		Lock Pin Knob
	85	1		O-ring
	86	1		Lock Pin
SET	87	2	0244-00087-01	Hex Screw
K7	K7	1	0244-90041-01	Motor Pivot Mount Kit
	88	1		Set Screw
	93	2		Pin
	94	1		Pivot Shaft Mount
	89	1	0244-00089-01	Pivot Shaft
K8	K8	1	0244-90042-01	Foot Kit
	90	1		Foot Pad
	91	1		Screw

ASSEMBLY KIT / SET	ITEM NO	QTY	PART NO	DESCRIPTION
K9	K9	1	0244-90043-01	Hardware Kit
	92	2		Screw
	170	2		Lock Washer
K10	K10	1	0244-90044-01	Cord Strap Kit
	95	3		Screw
	96	3		Cord Clamp
	97	1	0244-00097-01	Cord Ring
K11	K11	1	0244-90045-01	Cord Clamp Kit
	98	4		Screw
	99	2		Cord Clamp
	100	1	0244-00100-01	Power Cord
	101	1	0244-00101-01	Vacuum Power Cord, Female
K12	K12	1	0244-90046-01	Cord Grip Kit
	102	1		Strain Relief
	103	1		Strain Relief
K13	K13	1	0244-90047-01	Support Arm Kit
	104	1		Support Arm
	106	2		Dowel Pin
SET	105	4	0244-00105-01	Hex Screw
SET	106	2	0244-00106-01	Dowel Pin
	107	1	0244-00107-01	Arm Cover
SET	108	9	0244-00108-01	Screw
	171	1	0244-00171-01	Blade Adjustment Screw
	801	1	0244-15001-01	Wrench
	802	1	0244-15002-01	Allen Key 8mm

GEAR HOUSING & SAW MOTOR

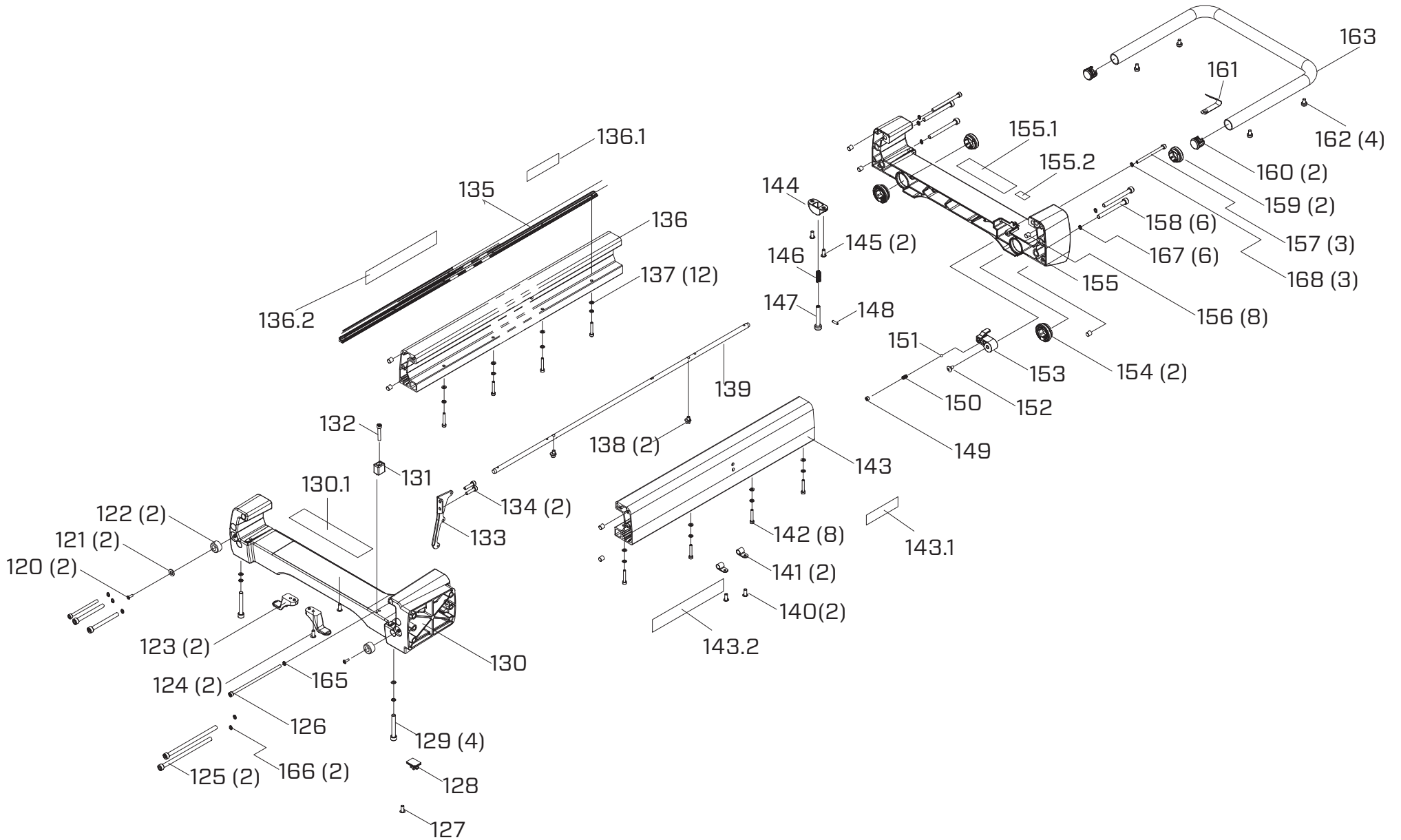


GEAR HOUSING & SAW MOTOR

ASSEMBLY KIT / SET	ITEM NO	QTY	PART NO	DESCRIPTION
A2	D	1	0244-25003-01	Blade Shaft Assembly
SET	36	2	0244-00036-01	Screw
	45	1	0244-00045-01	Needle Bearing
K14	K14	1	0244-90048-01	Hardware Kit
	46	4		Tap Screw
	49	1		Screw
	51	2		Tap Screw
	52	1		Cord Clamp
	53	3		Screw
	47	1	0244-00047-01	Circuit Board Housing Top
	48	1	0244-00048-01	Vacuum Switch
	50	1	0244-00050-01	Circuit Board
	54	1	0244-00054-01	Circuit Board Housing Bottom
K15	K15	1	0244-90049-01	Handle Hardware Kit
	55	4		Screw
	60	6		Tap Screw
K16	K16	1	0244-90050-01	Saw Motor Main Handle
	56	1		Main Handle Top
	59	1		Main Handle Bottom
	57	1	0244-00057-01	Laser Switch
	58	1	0244-00058-01	Main Switch

ASSEMBLY KIT / SET	ITEM NO	QTY	PART NO	DESCRIPTION
K17	K17	1	0244-90051-01	Spindle Lock Hardware Kit
	61	1		Spindle Lock Button
	62	1		Spindle Lock
	63	1		Compress Spring
	64	1		Seal Pad
SET	65	2	0244-62065-01	Tap Screw
	66	1	0244-62066-01	End Cover
SET	69	2	0244-62069-01	Brush
SET	70	2	0244-62070-01	Brush Cap
SET	71	4	0244-62071-01	Screw
A3	A3	1	0244-25008-01	Saw Motor Housing Assembly
A4	A4	1	0244-25007-01	Armature Assembly
	76	1	0244-62076-01	Stator
SET	77	2	0244-62077-01	Tap Screw
SET	78	3	0244-00078-01	Grommet
	79	1	0244-00079-01	Gear Housing
SET	80	2	0244-00080-01	Brass Bushing
K18	K18	1	0244-90052-01	Jump Wire Kit (A,B,C,D,E, F)
	109	1		Jump Wire A
	110	1		Jump Wire B
	111	1		Jump Wire C
	112	1		Jump Wire D
	113	1		Jump Wire E
	114	1		Jump Wire F

UPPER FRAME ASSEMBLY

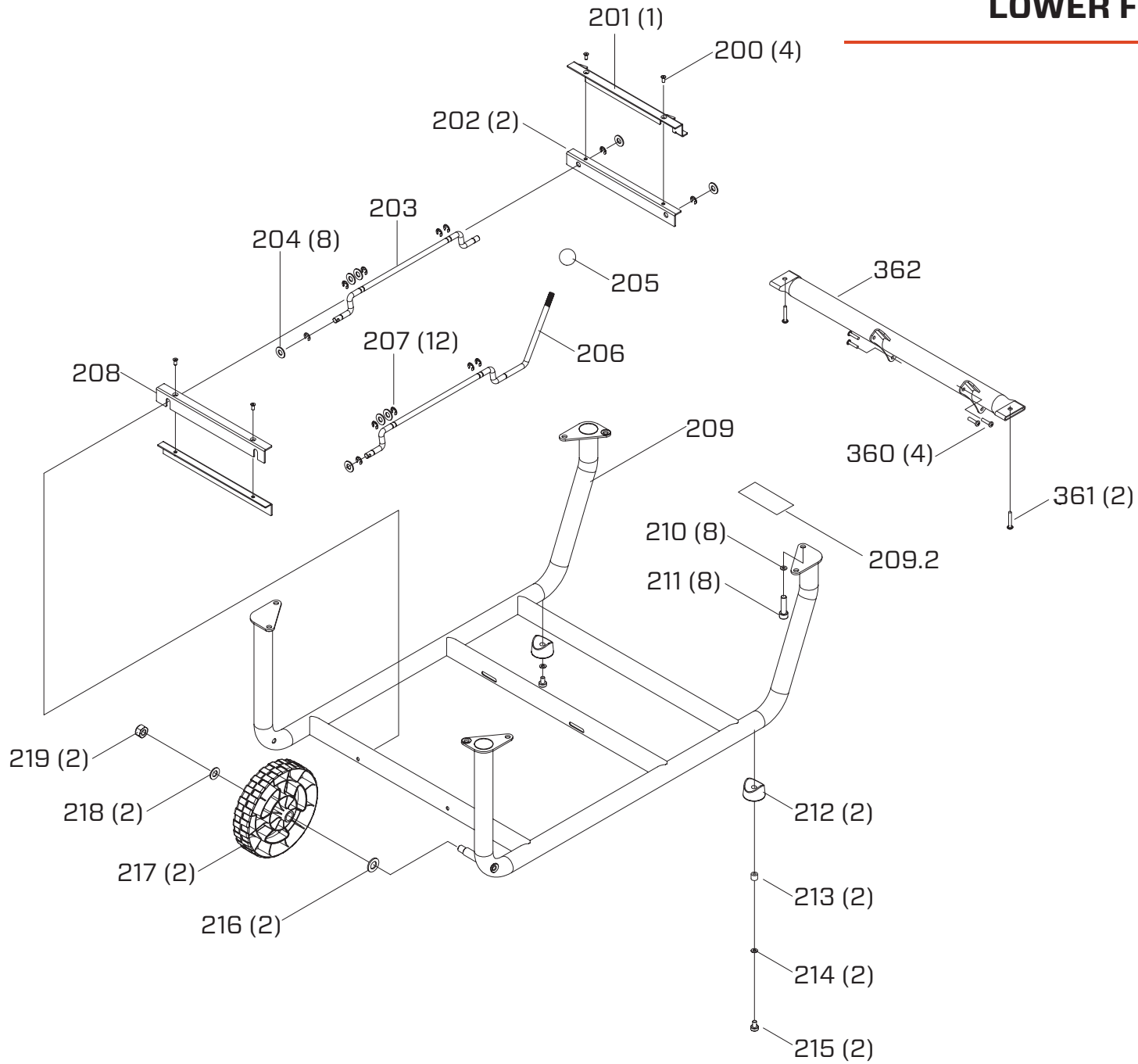


UPPER FRAME ASSEMBLY

ASSEMBLY KIT / SET	ITEM NO	QTY	PART NO	DESCRIPTION
K19	K19	1	0244-90053-01	Foot Pad Kit
	120	2		Screw
	121	2		Flat Washer
	122	2		Foot Pad
K20	K20	1	0362-90017-01	Cord Storage Hooks
	123	2		Cord Storage
	124	2		Screw
K21	K21	1	0362-90018-01	Screws, Washers
	125	2		Hex Screw
	166	2		Lock Washer M9
K22	K22	1	0362-90019-01	Screws, Washers
	126	1		Hex Screw
	165	1		Lock Washer
	127	1	0244-00127-01	Screw
	128	1	0244-00128-01	Cord Clamp
SET	129	4	0244-00129-01	Hex Screw
	130	1	0244-00130-01	Cross Support Back
K23	K23	1	0362-90020-01	Screws, Plugs
	131	1		Stopper
	132	1		Socket Head Screw
	133	1	0244-00133-01	Locking Bracket, Vacuum
SET	134	2	0244-00134-01	Hex Screw
	135	1	0244-00135-01	Rolling Table Support Bar
	136	1	0244-00136-01	Support Rail Right
SET	138	2	0244-00138-01	Cam
	139	1	0244-00139-01	Rolling Table Guide Bar
K24	K24	1	0362-90021-01	Hardware Kit
	137	12		Flat Washer
	140	2		Flange Screw
	141	2		Cable Clamp
	142	8		Socket Head Screw

ASSEMBLY KIT / SET	ITEM NO	QTY	PART NO	DESCRIPTION
	143	1	0244-00143-01	Support Rail Left
K25	K25	1	0362-90022-01	Handle Lock Pin Kit
	144	1		Cover
	145	2		Screw
	146	1		Spring
	147	1		Locking Pin
	148	1		Pin
K26	K26	1	0362-90051-01	Table Stop Lever Kit
	149	1		Set Screw
	150	1		Spring
	151	1		Detent Ball
	152	1		Shoulder Screw
	153	1		Table Stop Lever
K27	K27	1	0362-90023-01	Spindle Hardware Kit
	154	2		Tube Bushing
	159	2		Tube Bushing
	155	1	0244-00155-01	Cross Support Front
SET	156	8	0244-00156-01	Location Pin
K28	K28	1	0362-90025-01	Screws, Washers
	157	3		Hex Soc Screw
	168	3		Lock Washer
K29	K29	1	0362-90024-01	Screws, Washers
	158	6		Hex Soc Screw
	167	6		Lock Washer M9
K30	K30	1	0362-90026-01	Transport Handle Hardware Kit
	160	2		Tube Cap
	161	1		Spring Lock Pin
	162	4		Stop Screw
	163	1	0244-00163-01	Transport Handle

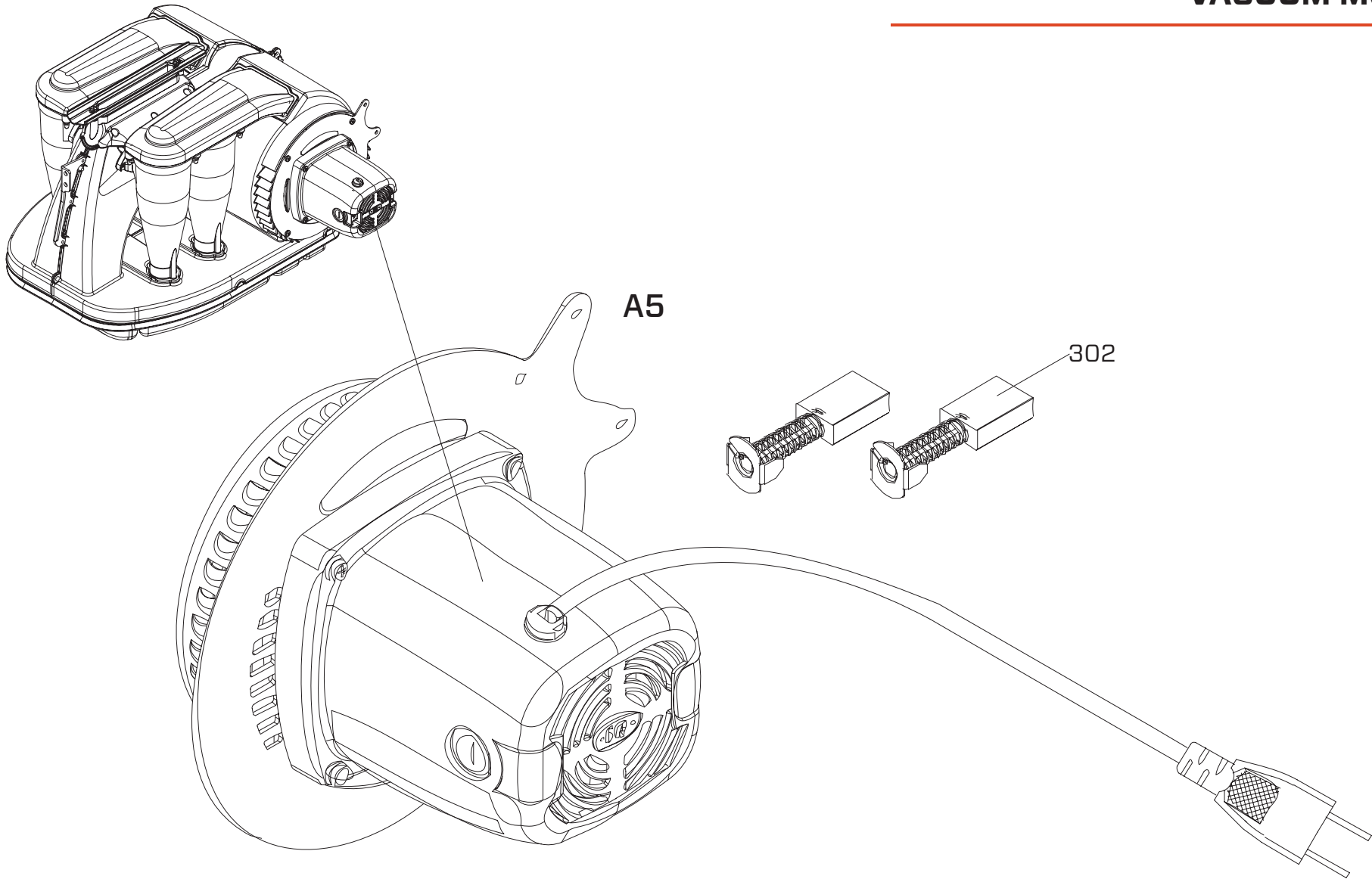
LOWER FRAME ASSEMBLY



LOWER FRAME ASSEMBLY

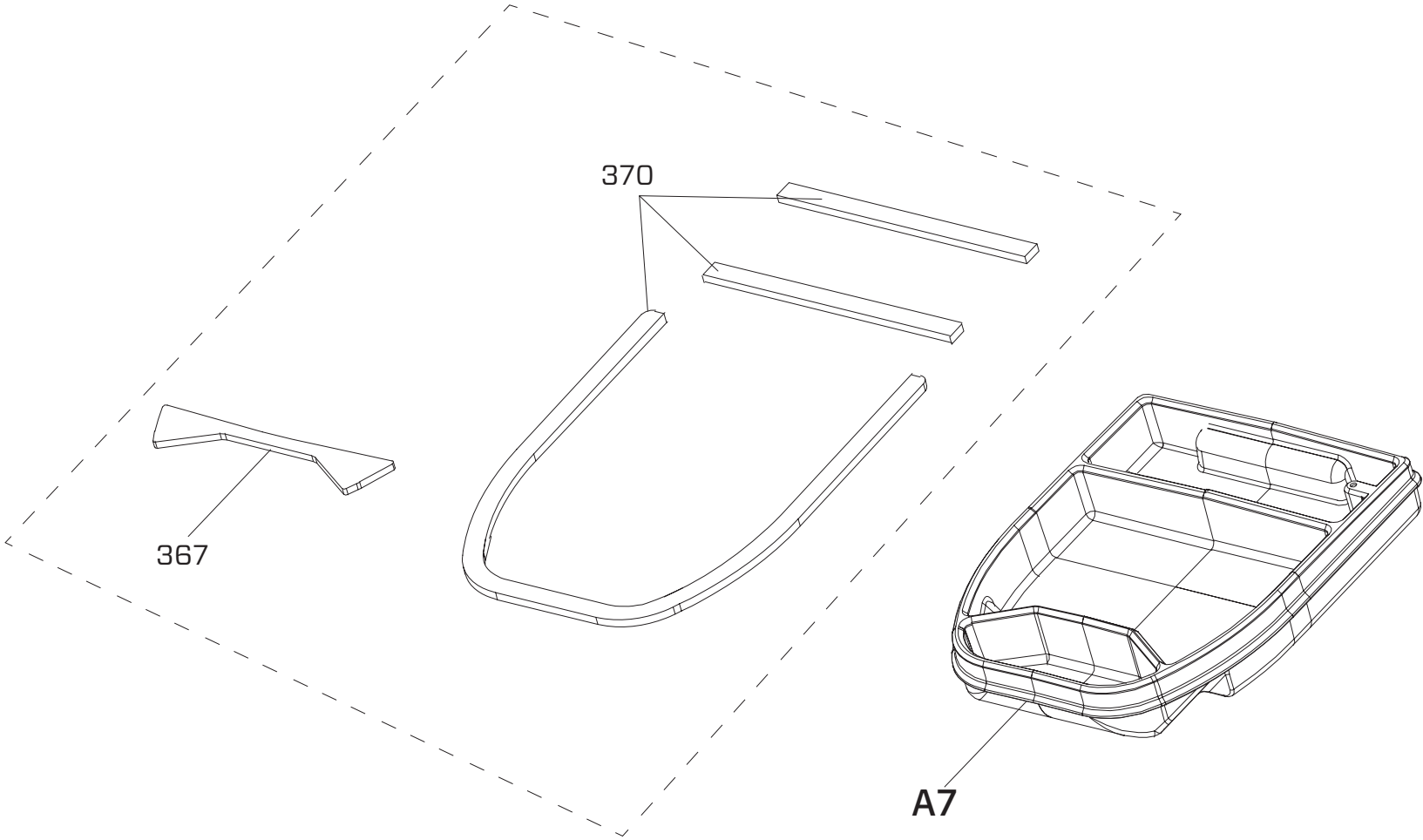
ASSEMBLY KIT / SET	ITEM NO	QTY	PART NO	DESCRIPTION
SET	200	4	0244-00200-01	Flat Screw
	201	1	0244-00201-01	Front Bracket, Lifter
	202	2	0244-00202-01	Lifter
	203	1	0244-00203-01	Linkage Short
SET	204	12	0244-00204-01	Flat Washer
	205	1	0244-00205-01	Knob
	206	1	0244-00206-01	Linkage Long
SET	207	12	0244-00207-01	E-Ring
	208	1	0244-00208-01	Rear Bracket, Lifter
	209	1	0244-00209-01	Frame Weldment
K31	K31	1	0362-90040-01	Hardware Kit
	210	8		Flat Washer
	211	8		Hex Soc Screw
K32	K32	1	0244-90054-01	Foot Pad Kit
	212	2		Foot Pad
	213	2		Spacer
	214	2		Flat Washer
	215	2		CHESS HD TAP SCR
SET	217	2	0244-00217-01	Wheel
K33	K33	1	0244-90055-01	Wheel Hardware Kit
	216	2		Flat Washer
	218	2		Flat Washer
	219	2		Lock Nut
	362	1	0244-00362-01	Vacuum Housing Cross Support
K34	K34	1	0362-90050-01	Cross Support Hardware Kit
	360	4		Screw
	361	2		Screw with Washer

VACUUM MOTOR



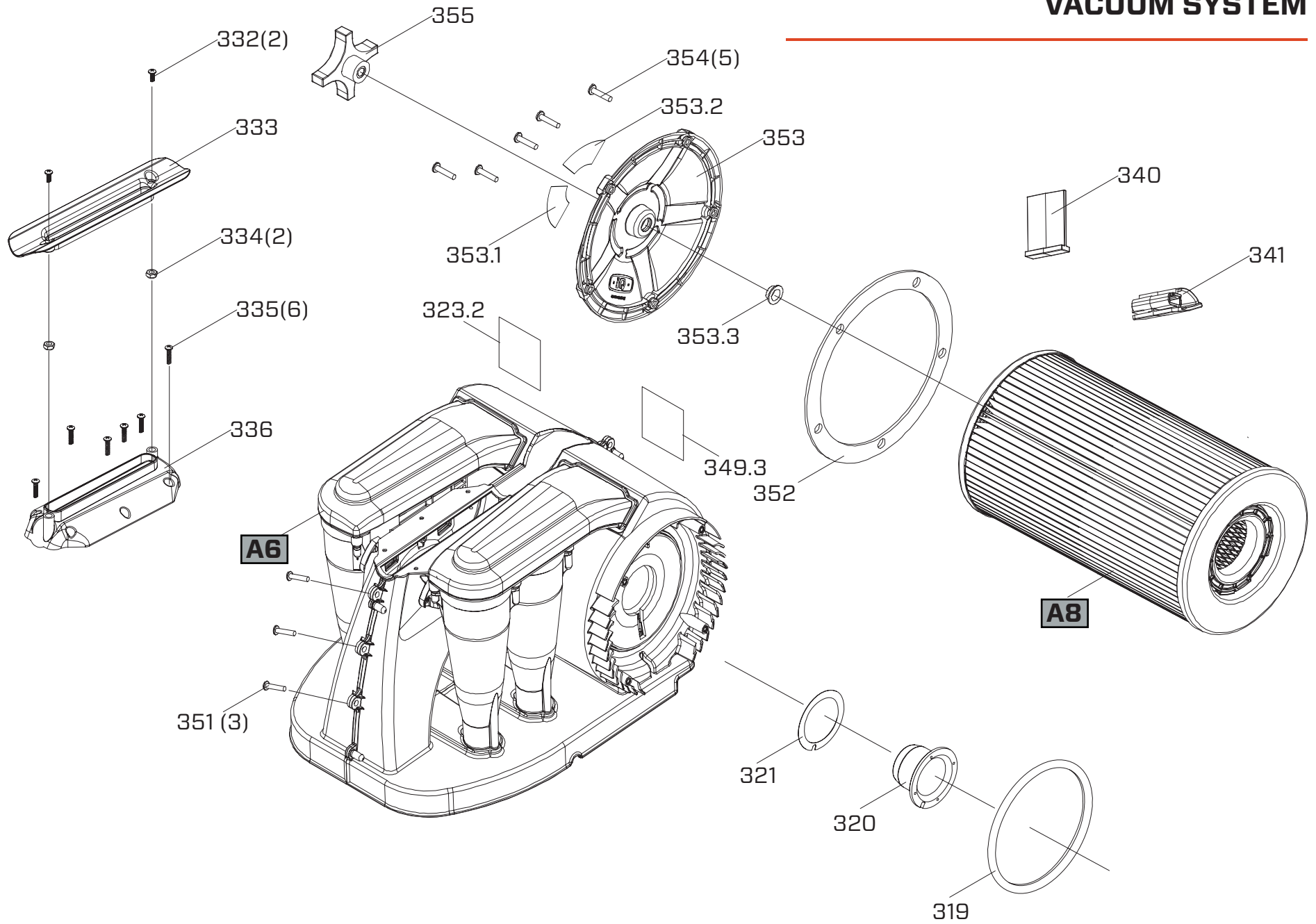
ASSEMBLY KIT / SET	ITEM NO	QTY	PART NO	DESCRIPTION
A5	A5	1	0244-25004-01	Vacuum Motor Assembly
SET	302	2	0244-62302-01	Vacuum Motor Brush

DUST CONTAINMENT TUB



ASSEMBLY KIT/ SET	ITEM NO	QTY	PART NO	DESCRIPTION
K38	K38	1	0362-90033-01	Dust Tray Gasket Kit
	370	3		Tray Gasket - 3 Strips
	367	1		Tray Gasket, Single Bow
A7	A7	1	0244-25006-01	Dust Tray Assembly

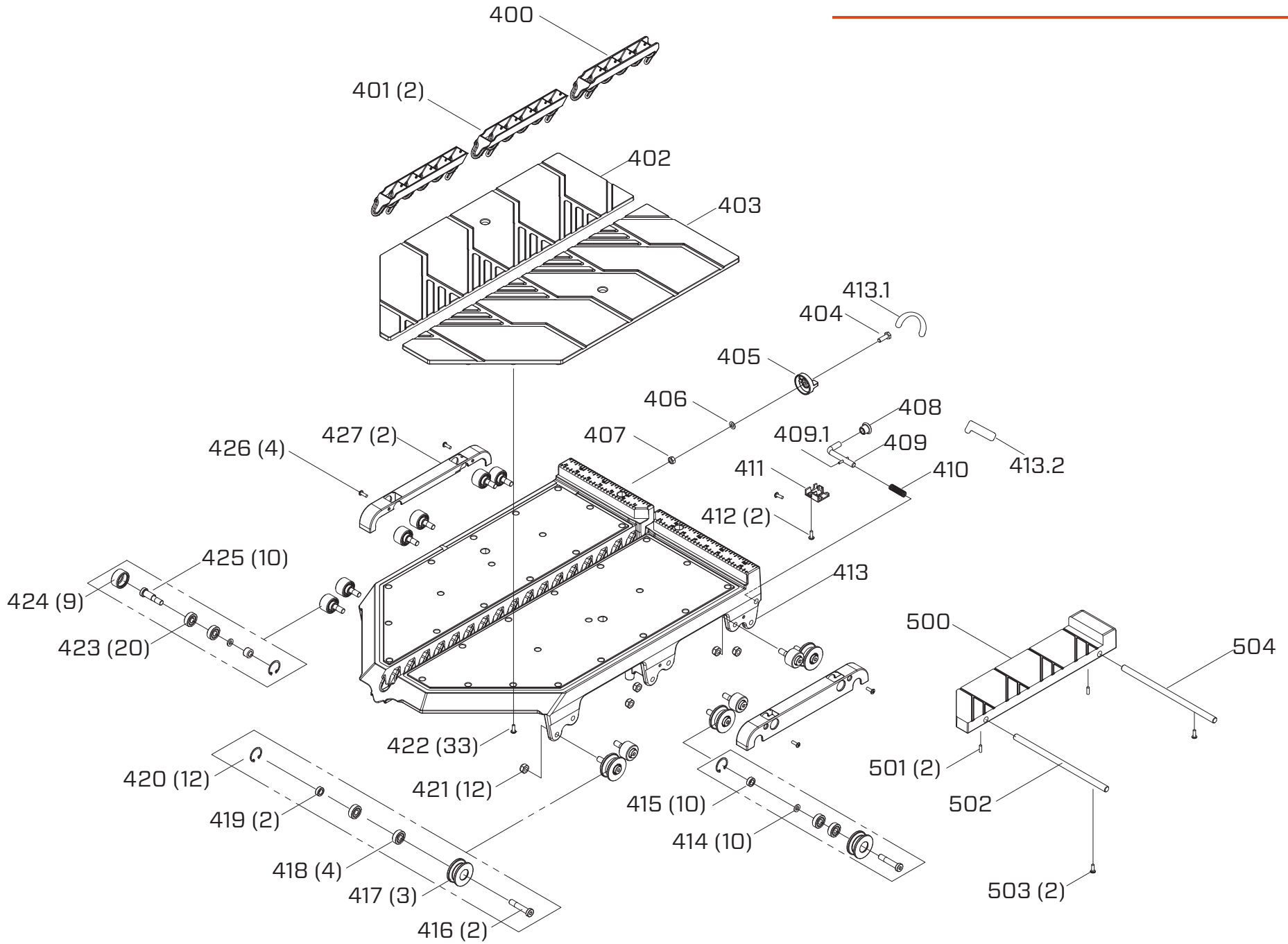
VACUUM SYSTEM



VACUUM SYSTEM

ASSEMBLY KIT / SET	ITEM NO	QTY	PART NO	DESCRIPTION
A6	A6	1	0244-25005-01	Vacuum Housing Assembly
K35	K35	1	0362-90031-01	Vacuum Slot Hardware
	332	2		Hex Screw
	334	2		Lock Nut
	333	1	0244-00333-01	Top Vacuum Slot
SET	335	6	0244-00335-01	Tap Screw
	336	1	0244-00336-01	Top Vacuum Slot Mount
SET	351	3	0244-00351-01	Screw
K37	K37	1	0362-90028-01	Spindle and Gasket Kit
	319	1		Gasket
	320	1		Filter Spindle
	321	1		Gasket
A7	A7	1	0244-25006-01	Dust Tray Assembly
K38	K38	1	0362-90033-01	Dust Tray Gasket Kit
	356	1		Tray Gasket
	367	1		Tray Gasket, Single Bow
A8	A8	1	0244-25001-01	Replacement Filter
K36	K36	1	0362-90029-01	Filter Cleaning Tab & Mount Kit
	340	1		Filter Cleaning Tab
	341	1		Filter Cleaning Tab Mount
	352	1	0244-00352-01	Gasket
	353	1	0244-00353-01	Filter Cover
	353.3	1	0244-03533-01	Bushing
SET	354	5	0244-00354-01	Socket Screw
	355	1	0244-00355-01	Knob

ROLLING TABLE

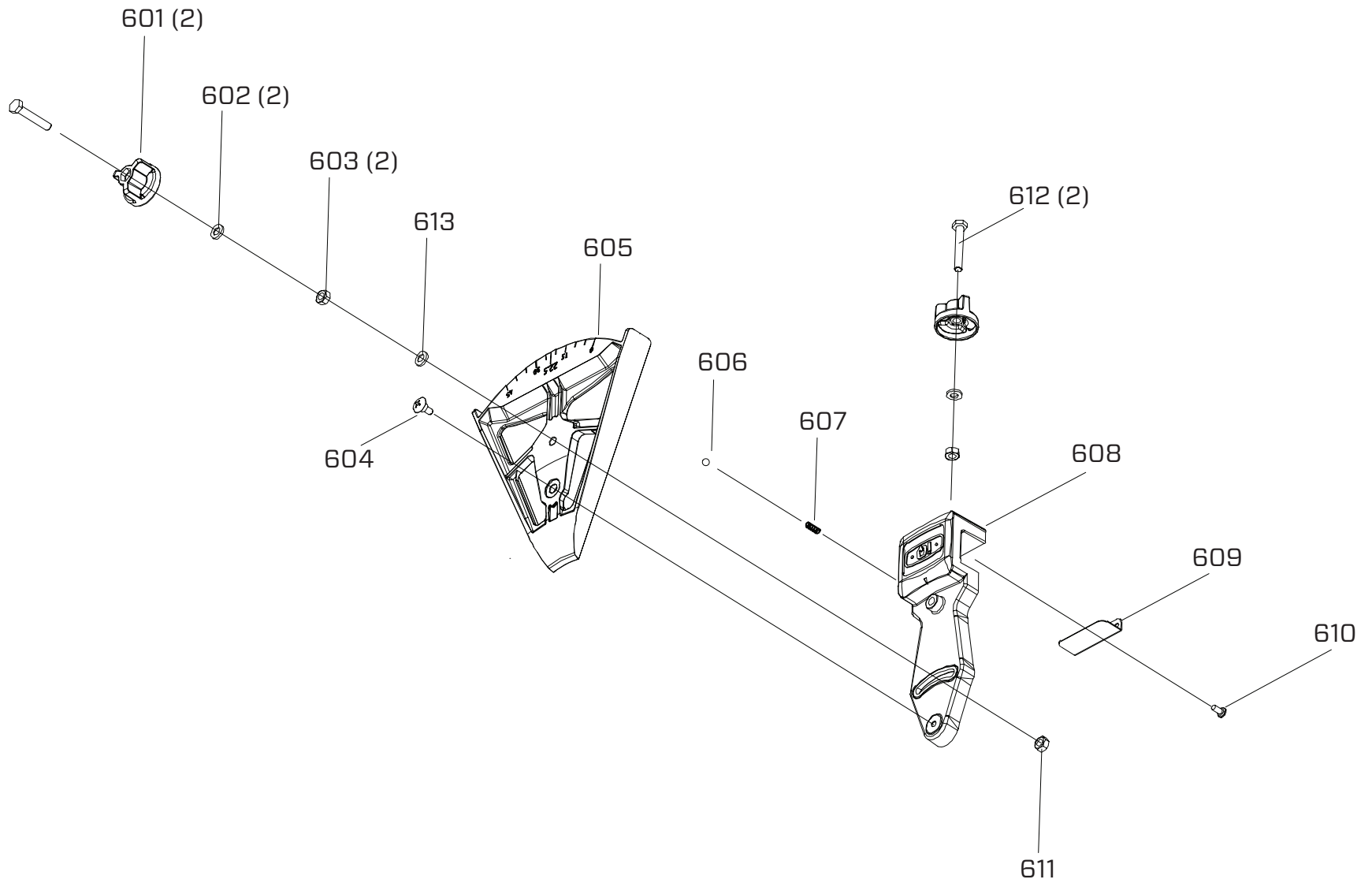


ROLLING TABLE

ASSEMBLY KIT / SET	ITEM NO	QTY	PART NO	DESCRIPTION
K39	K39	1	0244-90001-00	Table Louver Kit
	400	1		Front Table Louver
	401	2		Rear Table Louver
	402	1	0244-00402-01	Table Pad , Right
	403	1	0244-00403-01	Table Pad , Left
K40	K40	1	0244-90021-01	Extension Table Lock Kit
	404	1		Hex Screw
	405	1		Extension Table Lock
	406	1		Flat Washer
	407	1		Lock Nut
K41	K41	1	0244-90020-01	Table Knob Lock Kit
	408	1		Knob
	409	1		Table Lock Pin
	409.1	1		Spring Pin
	410	1		Compression Spring
	411	1		Table Lock Pin Holder
	412	2		Flange Screw
	413	1	0244-00413-01	Roller Table
K42	K42	1	0244-90010-01	Adjustable Guide Wheel Kit
	414	1		Flat Washer
	417	1		Guide Wheel
	423	2		Ball Bearing
	420	1		Internal Retaining Ring
K43	K43	1	0244-90018-01	Spacer Kit
	415	10		Spacer
K44	K44	1	0244-90015-01	Guide Wheel Screw Kit
	416	2		Guide Wheel

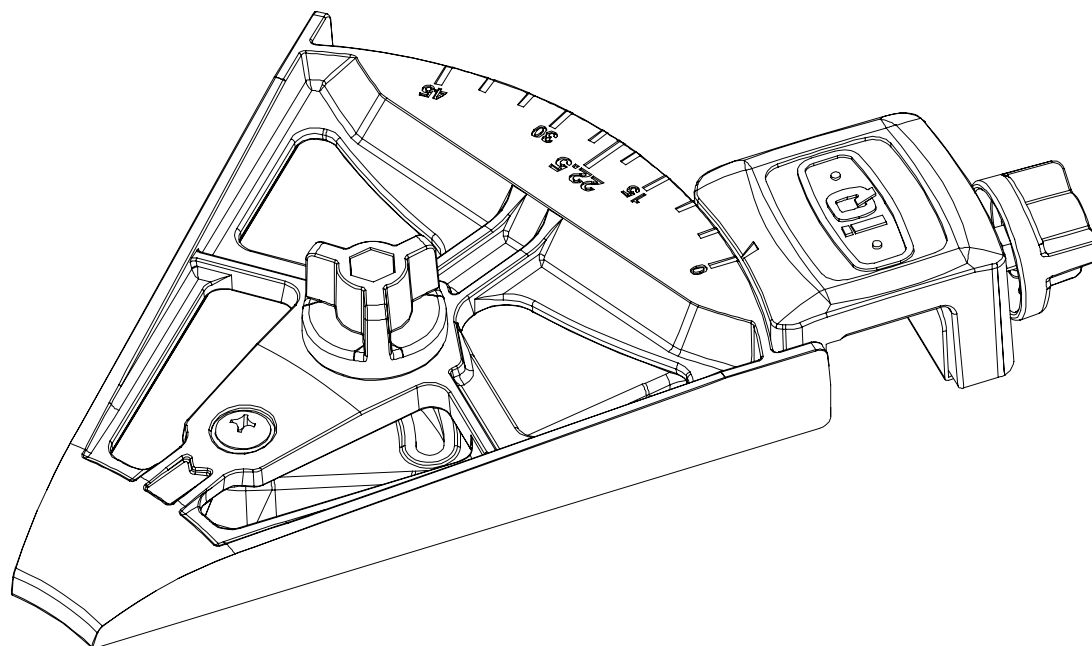
ASSEMBLY KIT / SET	ITEM NO	QTY	PART NO	DESCRIPTION
K45	K45	2	0244-90011-01	Non-Adjustable Guide Wheel Kit
	417	1		Guide Wheel
	418	2		Ball Bearing
	420	1		Internal Retaining Ring
K46	K46	1	0244-90014-01	Small Spacer Kit
	419	2		Small Spacer
K47	K47	1	0244-90013-01	Internal Retaining Ring Kit
	420	12		Internal Retaining Ring
K48	K48	1	0244-90017-01	Lock Nut Kit
	421	12		
K49	K49	1	0244-90016-01	Tap Screw Kit
	422	33		
K50	K50	9	0244-90009-01	Adjustable Support Wheel Kit
	423	2		Ball Bearing
	424	1		Support Wheel
	414	1		Flat Washer
	420	1		Internal Retaining Ring
	425	10		0244-00425-01
K51	K51	1	0244-90012-01	Wheel Cover Kit
	426	4		Screw
	427	2		Wheel Cover
	500	1	0244-00500-01	Extension Wing
	502	1	0244-00502-01	Extension Rod
	504	1	0244-00504-01	Extension Rod w/Flat Side
K52	K52	1	0244-90022-01	Screw Kit
	501	2		Set Screw

MITER GAUGE

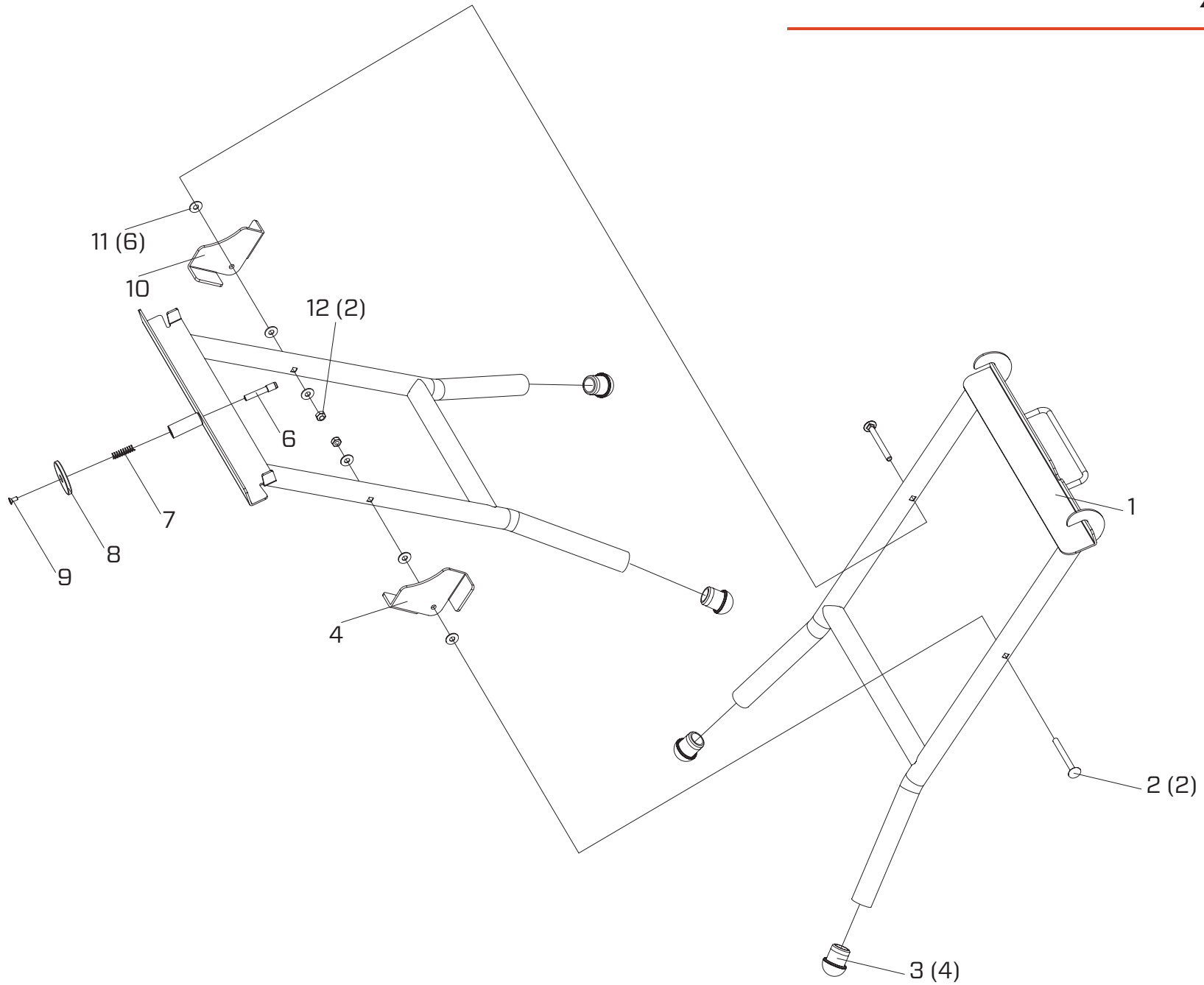


MITER GAUGE

ASSEMBLY KIT / SET	ITEM NO	QTY	PART NO	DESCRIPTION
K53	K53	1	0244-90002-01	Miter Gauge Kit
	601	2		Knob
	602	2		Flat Washer
	603	2		Lock Nut
	604	1		Screw
	605	1		Miter Gauge
	606	1		Steel Ball
	607	1		Spring
	608	1		Miter Gauge Saddle
	609	1		Fence Liner
	610	1		Flange Screw
	611	1		Hex Nut
	612	2		Hex HD Screw
	613	1		Flat Washer

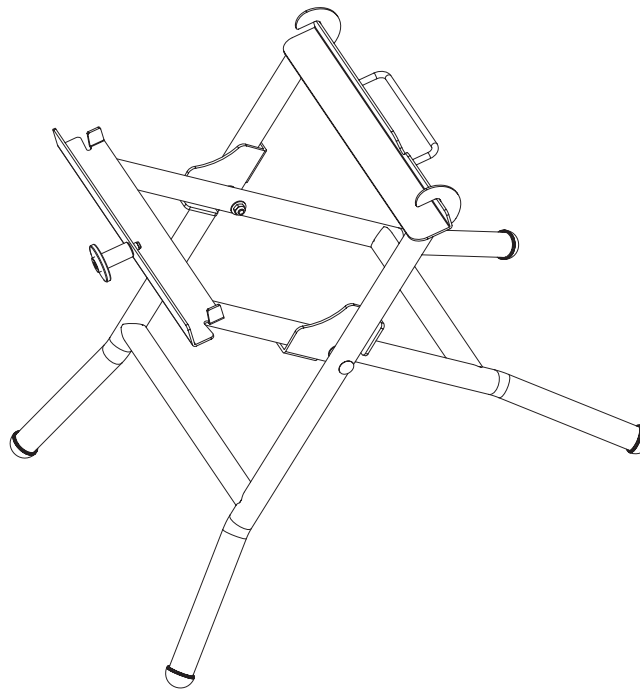


X-STAND



X-STAND

ASSEMBLY KIT / SET	ITEM NO	QTY	PART NO	DESCRIPTION
	1	1	0244-00908-01	Front Leg
K54	11	1	0244-90019-01	X-Stand Hardware Kit
	2	2		Bolt
	11	6		Washer
	12	2		Nut Locking
K55	K55	1	0244-90033-01	Foot Pad Kit
	3	4		Foot Pad
	4	1	0244-00911-01	Bracket, Left
	5	1	0244-00912-01	Rear Leg
K56	K56	1	0244-90034-01	Locking Pin Kit
	6	1		Locking Pin
	7	1		Compress Spring
K57	K57	1		Knob Kit
	8	1		Release Knob
	9	1		Screw
	10	1	0244-00917-01	Bracket, Right



LABELS

⚠ WARNING ⚠
Receptacle is **NOT** for general purpose use. Use only for manufacturer's approved vacuum motor.

101.1

⚠ AVOID EXPOSURE:
Laser radiation is emitted from this aperture.

23.1

TRANSPORT INSTRUCTIONS ⚠
Make sure the table lock is secure before transporting saw. Failure to lock table may cause the table to slide off the saw and cause serious injury.

1. Turn machine OFF. Unplug and secure power cord.
2. Lock cutting head in a down position.
3. Lock rolling table to avoid injury during transport. ⚠
4. Unlock transport handle and extend for easy transport.

323.2

DUST COLLECTION VACUUM OPERATION

1. Spin filter 3 times after 500 L.F. of cutting or at the end of each day. Spin filter before emptying dust collection tray.
2. Empty dust collection tray after 500 L.F. of cutting or at the end of each day before transport.
3. Empty dust into bag or sealed container and dispose properly.

349.3

iQ POWER TOOLS

iQTS244-CSA
10" TILE SAW
Q-DRIVE ARBOR
120V- 60Hz 15A 4000RPM

WARNING

IQPOWERTOOLS.COM • 888-274-7744
PO Box 7449 Moreno Valley, CA
2017 • Made in Taiwan

130.1

REMOVE BEFORE CHANGING BLADE

26.1



136.2 & 143.2

iQTS244™

136.1 & 143.1



130.1



353.1



353.2

VACUUM ONLY

47.1



56.2



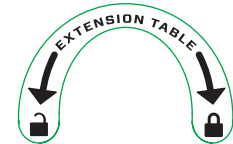
56.1



155.2



209.2



413.1



413.2

⚠ WARNING

To reduce the risk of injury, table lock knob must be in the "lock" position before moving or transporting the saw

⚠ AVERTISSEMENT

Pour réduire le risque de blessure, table bouton de verrouillage doit être dans le position (verrouillage) avant de déplacer ou transporter le scie

⚠ ADVERTENCIA

Para reducir el riesgo de lesiones, botón de bloqueo de tabla debe estar en la posición de "bloqueo" antes de mover o transportar la sierra

⚠ CAUTION

- To reduce the risk of injury, user must read and understand the operator's manual.
- Wear eye and hearing protection when operating the tool.
- Turn off tool, wait for the wheel to stop moving and disconnect the power to the tool before servicing, when changing cutting wheels, or cleaning.
- Always use manufacturer's approved cutting wheels.
- Always inspect and replace damaged cutting wheels before operating.
- Spin filter and empty dust tray once a day.

130.1

LABELS

ASSEMBLY KIT/ SET	ITEM NO	QTY	PART NO	DESCRIPTION
K58	K56	1	0244-90056-01	TS244 Label Kit
	23.1	1		Laser Warning Label
	26.1	1		Dust Guard Label
	47.1	1		Vacuum Only Label
	56.1	1		Power Switch Label
	56.2	1		Laser switch Label
	72.1	1		Motor Label
	101.1	1		Warning Label on Vacuum Cord
	130.1	1		Warning Label
	136.1	1		Model Label
	136.2	1		Logo Label
	143.1	1		Model Label
	143.2	1		Logo Label
	155.1	1		Instruction Label
	155.2	1		Remove Table Label
	209.2	2		Lock Label
	304.1	1		Vacuum Motor Label
	353.1	1		Daily Turn Label
	353.2	1		Turn Arrow Label
	413.1	1		Extension Table Lock Label
413.2	1	Table Lock Label		

WARRANTY

New iQTS244™ Dry Cut Tile Saw, sold by iQ Power Tools or an iQ authorized dealer is warranted to be free from manufacturing defects in normal service for a one year period from date of purchase by the original consumer purchaser. Warranty period for rental items is 90 days.

All iQ products must be registered either through our website or by mailing in the Warranty Card in order for the warranty to be active and valid. This Warranty shall not apply to any parts that have been subjected to misuse or improper service, damaged in transit or handling, altered or repaired by unauthorized representatives, or used with a blade that is not recommended by iQ Power Tools.

Any claim arising under this Warranty must be submitted by the original purchaser within the Warranty period specified above and must include proof of purchase. Within Warranty period, options are either to replace or repair any parts or components that are found to be defective by iQ Power Tools at no charge to the original purchaser. iQ Power Tools shall not be responsible or obligated to pay for freight or other transportation-related costs or expenses in connection with any defective products, replacements, or components that are returned to iQ Power Tools facility or any authorized repair station.

Parts and labor needed to maintain products, and the replacement of components due to normal wear and tear, are the purchaser's responsibility and are not covered by this Warranty. All products or components replaced under Warranty become the property of the manufacturer. All replacement parts will be considered to be part of the original product and any Warranty on such parts will expire concurrently with this original Warranty.

iQ Power Tools will pay for parts and labor in connection with Warranty repairs conducted by iQ Power Tools or its authorized repair center. Replacement parts installed by anyone else will be provided without a charge but this Warranty will not apply to labor charges in connection therewith.

IN NO EVENT SHALL ANY LIABILITY UNDER THIS WARRANTY EXCEED THE REPLACEMENT COST OF ANY DEFECTIVE PRODUCT OR COMPONENT THEREOF. iQ POWER TOOLS SHALL NOT BE LIABLE FOR ANY INCIDENTAL OR CONSEQUENTIAL DAMAGES OR FOR ANY OTHER DAMAGE OR LOSS NOT EXPRESSLY ASSUMED AS SET FORTH HEREIN.

The Warranty on the terms above is the only Warranty. This limited Warranty is expressly in lieu of all other Warranties, whether expressed or implied.