



 **Husqvarna**[®]



K 970 III, K 970 III Rescue, K 970 SmartGuard

EN	Operator's manual	2-35
DE	Bedienungsanweisung	36-72
FR	Manuel d'utilisation	73-108
NL	Gebruiksaanwijzing	109-144

Contents

Introduction.....	2	Troubleshooting.....	31
Safety.....	6	Transportation, storage and disposal.....	32
Assembly.....	11	Technical data.....	32
Operation.....	17	Accessories.....	33
Maintenance.....	24	EC Declaration of Conformity.....	35

Introduction

Product description

These Husqvarna K 970 III, K 970 III Rescue and K 970 SmartGuard power cutters are portable handheld cut-off machines powered by 2-stroke combustion engines.

Intended use

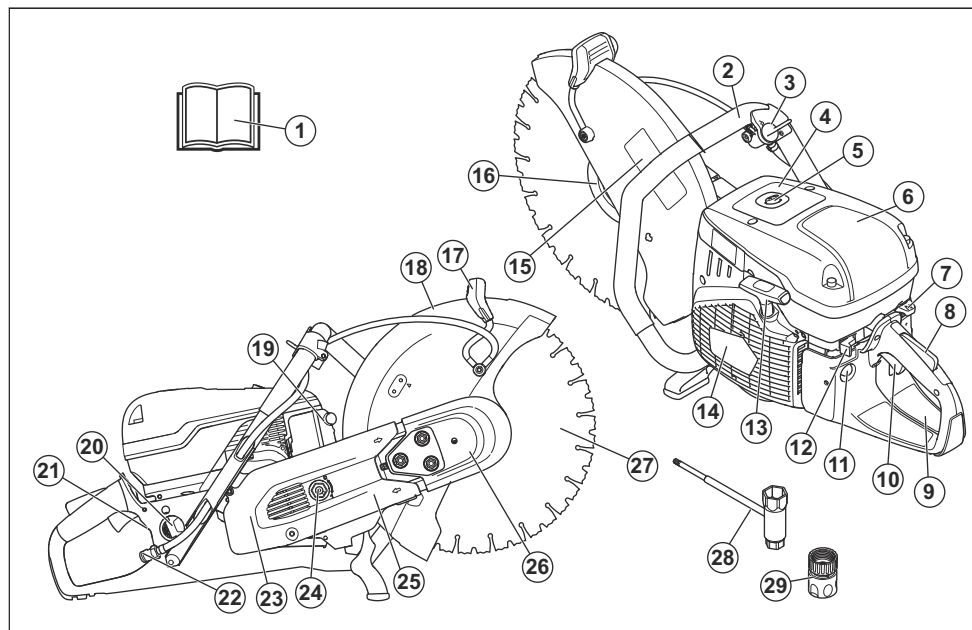
The product is used to cut hard materials as concrete, masonry, stone and steel. Do not use the product for

other tasks. The product must only be used by professional operators with experience.

Work is constantly in progress to increase your safety and efficiency during operation. Speak to your servicing dealer for more information.

Note: National/Local regulations could restrict the use of this product.

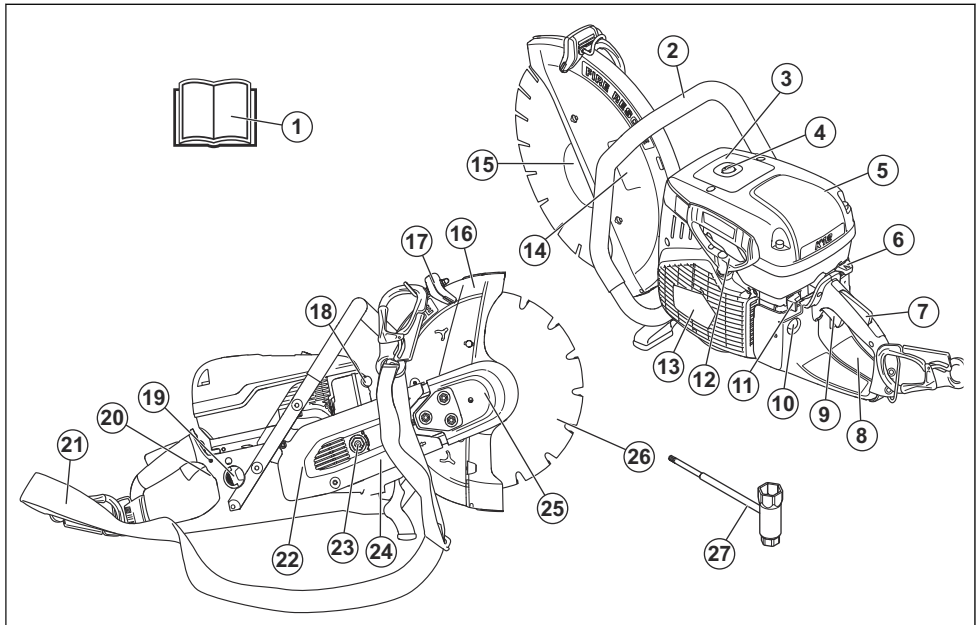
Product overview K 970 III



- | | |
|----------------------------------|-----------------------------|
| 1. Operator's manual | 6. Air filter cover |
| 2. Front handle | 7. Choke control |
| 3. Water valve | 8. Throttle trigger lockout |
| 4. Information and warning decal | 9. Start instruction decal |
| 5. Decompression valve | 10. Throttle trigger |

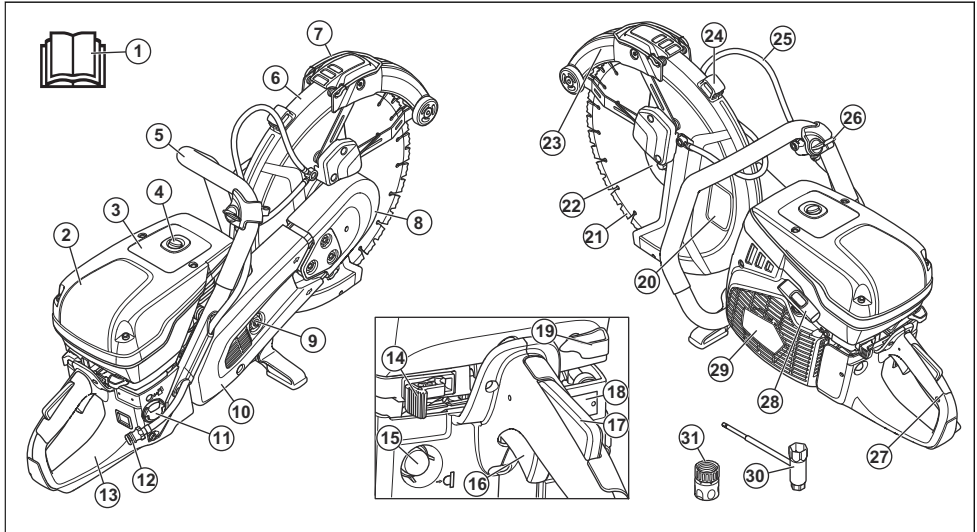
- 11. Air purge bulb
- 12. Stop switch
- 13. Starter rope handle
- 14. Starter housing
- 15. Cutting equipment decal
- 16. Flange, spindle, arbor bushing
- 17. Adjustment handle for blade guard
- 18. Blade guard
- 19. Muffler
- 20. Fuel tank cap
- 21. Type plate
- 22. Water connection with filter
- 23. Belt guard
- 24. Belt tensioner
- 25. Cutting arm
- 26. Cutting head
- 27. Cutting blade (not supplied)
- 28. Combination wrench
- 29. Water connector, GARDENA®

Product overview K 970 III Rescue



- 1. Operator's manual
- 2. Front handle
- 3. Information and warning decal
- 4. Decompression valve
- 5. Air filter cover
- 6. Choke control
- 7. Throttle trigger lockout
- 8. Start instruction decal
- 9. Throttle trigger
- 10. Air purge bulb
- 11. Stop switch
- 12. Starter rope handle
- 13. Starter housing
- 14. Cutting equipment decal
- 15. Flange, spindle, arbor bushing
- 16. Blade guard
- 17. Adjustment handle for blade guard
- 18. Muffler
- 19. Fuel tank cap
- 20. Type plate
- 21. Shoulder strap
- 22. Belt guard
- 23. Belt tensioner
- 24. Cutting arm
- 25. Cutting head
- 26. Cutting blade (not supplied)
- 27. Combination wrench

Product overview K 970 SmartGuard



1. Operator's manual
2. Air filter cover
3. Information and warning decal
4. Decompression valve
5. Front handle
6. Blade guard
7. SmartGuard handle
8. Cutting head
9. Belt tensioner
10. Cutting arm
11. Fuel tank cap
12. Water connection with filter
13. Start instruction decal
14. Stop switch
15. Air purge bulb
16. Throttle trigger
17. Throttle trigger lockout
18. Type plate
19. Choke control
20. Cutting equipment decal
21. Cutting blade (not supplied)
22. Flange, spindle, arbor bushing
23. SmartGuard
24. Adjustment handle for blade guard
25. Water hose
26. Water valve
27. Rear handle
28. Starter rope handle
29. Starter housing

30. Combination wrench
31. Water connector GARDENA®

Symbols on the product



WARNING: This product can be dangerous and cause serious injury or death to the operator or others. Be careful and use the product correctly.



Read the operator's manual carefully and make sure that you understand the instructions before you use this product.



Use approved protective helmet, hearing protection, eye protection and respiratory protection. Refer to *Personal protective equipment* on page 8.



This product complies with applicable EC Directives.



Dust forms when cutting. The dust can cause injuries if inhaled. Use an approved respiratory protection. Avoid inhaling exhaust fumes. Always provide for good ventilation.



WARNING! Kickbacks can be sudden, rapid and violent and can cause life threatening injuries. Read and understand the

instructions in the manual before using the product. Refer to *Kickback on page 17*.



Sparks from the cutting blade can cause fire in fuel, wood, clothes, dry grass or other flammable materials.



Make sure that the cutting blade does not have cracks or other damages.



Do not use circular saw blades.



Choke



Air purge bulb



Decompression valve

Starter rope handle



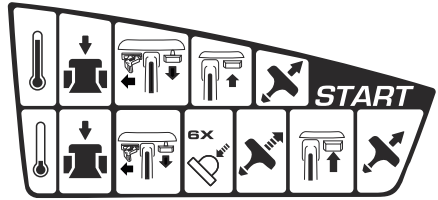
Use a fuel mixture of gasoline and oil.



Noise emission to the environment complies with applicable EC Directives. The noise emission of the product is specified in *Personal protective equipment on page 8* and on the label.

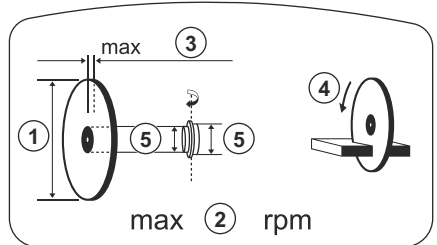
Note: Other symbols/decals on the product refer to special certification requirements for some markets.

Start instructions decal



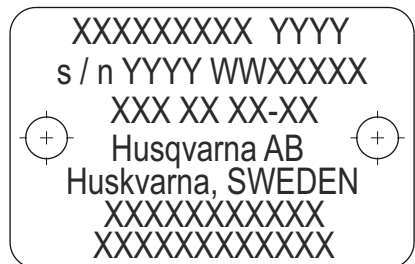
Refer to *To start the product with a cold engine on page 22* and *To start the product with a warm engine on page 23* for instructions.

Cutting equipment decal



1. Cutting blade diameter
2. Max. speed of output shaft
3. Max. blade thickness
4. Direction of rotation
5. Bushing dimension

Type plate



Row 1: Brand, Model (X, Y)

Row 2: Serial No. with manufacturing date (Y, W, X):
Year, Week, Sequence No.

Row 3: Product No. (X)

Row 4: Manufacturer

Row 5: Manufacturer address

Rows 6–7: EU type approval or Chinese MEIN number

Euro V Emissions



WARNING: Tampering with the engine voids the EU type-approval of this product.

Product liability

As referred to in the product liability laws, we are not liable for damages that our product causes if:

- the product is incorrectly repaired.
- the product is repaired with parts that are not from the manufacturer or not approved by the manufacturer.
- the product has an accessory that is not from the manufacturer or not approved by the manufacturer.
- the product is not repaired at an approved service center or by an approved authority.

Safety

Safety definitions

Warnings, cautions and notes are used to point out specially important parts of the manual.



WARNING: Used if there is a risk of injury or death for the operator or bystanders if the instructions in the manual are not obeyed.



CAUTION: Used if there is a risk of damage to the product, other materials or the adjacent area if the instructions in the manual are not obeyed.

Note: Used to give more information that is necessary in a given situation.

- Do not let a person operate the product unless they read and understand the contents of the operator's manual.
- Only let approved persons operate the product.
- This product produces an electromagnetic field during operation. This field can under some circumstances interfere with active or passive medical implants. To decrease the risk of serious injury or death, we recommend persons with medical implants to speak to their physician and the medical implant manufacturer before operating this product.
- The information in this operator's manual is never a substitute for professional skills and experience. If you are in a situation where you feel unsafe, stop and get expert advice. Speak to your servicing dealer. Do not try any task that you feel unsure of.

General safety instructions



WARNING: Read the warning instructions that follow before you use the product.

- A power cutter is a dangerous tool if used carelessly or incorrectly and can cause serious injury or death. It is very important that you read and understand the contents of this operator's manual. It is also recommended that first time operators also obtain practical instruction before using the product.
- Do not do modifications to this product. Modifications that are not approved by the manufacturer, can cause serious injury or death.
- Do not operate the product if it is possible that other persons have done modifications to the product.
- Always use original accessories and spare parts. Accessories and spare parts that are not approved by the manufacturer, can cause serious injury or death.
- Keep the product clean. Make sure that you can clearly read signs and decals.
- Never allow children or other persons not trained in the use of the product to use or service it.



WARNING: Read the warning instructions that follow before you use the product.

- Before you use a power cutter, you must understand the effects of kickback and how to prevent them. Refer to *Kickback on page 17*.
- Do the safety checks, maintenance and servicing as given in this operator's manual. Some maintenance and servicing must be done by an approved service center. Refer to *Introduction on page 24*.
- Do not use the product if it is defective.
- Do not use the product if you are tired, ill, or under the influence of alcohol, drugs or medicine. These conditions can have an unwanted effect on your vision, alertness, coordination or judgment.
- Do not start the product without the belt and the belt guard installed. The clutch can become loose and cause injury.
- Sparks from the cutting blade can cause fire in flammable materials such as gasoline, gas, wood, clothes and dry grass.
- Do not cut asbestos material.

Work area safety



WARNING: Read the warning instructions that follow before you use the product.

- The safety distance for the power cutter is 15 m/50 ft. Make sure that animals and bystanders are not in the work area.
- Do not operate the product until the work area is clear and your feet and body are in a stable position.
- Look out for persons, objects and situations that can prevent safe operation of the product.
- Make sure that no persons or objects can come into contact with the cutting equipment or be hit by parts thrown by the blade.
- Do not use the product in fog, rain, strong winds, cold weather, risk of lightning or other bad weather conditions. To use the product in bad weather can have a negative effect on your alertness. Bad weather can cause dangerous work conditions, such as slippery surfaces.
- During operation of the product, make sure that no material can become loose and fall and cause injury to the operator.
- Be very careful when you operate the product on a slope.
- Keep the work area clean and bright.
- Before you operate the product, find out if there are hidden hazards such as electrical cables, water, and gas pipes and flammable substances in the work area. If the product hits a hidden object, stop the engine immediately and examine the product and the object. Do not start to operate the product again until you know that it is safe to continue.
- Before you cut into a drum, a pipe, or other container, make sure that it does not contain flammable or other material that can cause fire or explosion.

Vibration safety



WARNING: Read the warning instructions that follow before you use the product.

- During operation of the product, vibrations go from the product to the operator. Regular and frequent operation of the product can cause or increase the degree of injuries to the operator. Injuries can occur in fingers, hands, wrists, arms, shoulders, and/or nerves and blood supply or other body parts. The injuries can be debilitating and/or permanent, and can increase gradually during weeks, months or years. Possible injuries include damage to the blood circulation system, the nervous system, joints, and other body structures.
- Symptoms can occur during operation of the product or at other times. If you have symptoms and continue to operate the product, the symptoms can

increase or become permanent. If these or other symptoms occur, get medical aid:

- Numbness, loss of feeling, tingling, pricking, pain, burning, throbbing, stiffness, clumsiness, loss of strength, changes in skin color or condition.
- Symptoms can increase in cold temperatures. Use warm clothing and keep your hands warm and dry when you operate the product in cold environments.
- Do maintenance on and operate the product as given in the operator's manual, to keep a correct vibration level.
- The product has a vibration damping system that decreases the vibrations from the handles to the operator. Let the product do the work. Do not push the product with force. Hold the product at the handles lightly, but make sure that you control the product and operate it safely. Do not push the handles into the end stops more than necessary.
- Keep your hands on the handle or handles only. Keep all other body parts away from the product.
- Stop the product immediately if strong vibrations suddenly occurs. Do not continue the operation before the cause of the increased vibrations is removed.
- To cut granite or hard concrete causes more vibration in the product than if you cut soft concrete. Cutting equipment that is blunt, defective, of incorrect type or incorrectly sharpened, increases the vibration level

Exhaust fumes safety



WARNING: Read the warning instructions that follow before you use the product.

- The exhaust fumes from the engine contain carbon monoxide which is an odourless, poisonous and very dangerous gas. To breathe carbon monoxide can cause death. Because carbon monoxide is odourless and cannot be seen, it is not possible to sense it. A symptom of carbon monoxide poisoning is dizziness, but it is possible that a person becomes unconscious without warning if the quantity or concentration of carbon monoxide is sufficient.
- Exhaust fumes also contain unburned hydrocarbons including benzene. Long-term inhalation can cause health problems.
- Exhaust fumes that you can see or smell also contain carbon monoxide.
- Do not use a combustion engine product indoors or in areas that do not have sufficient airflow.
- Do not breathe the exhaust fumes.
- Make sure that the airflow in the work area is sufficient. This is very important when you operate the product in trenches or other small work areas where exhaust fumes can easily collect.

Dust safety



WARNING: Read the warning instructions that follow before you use the product.

- Operation of the product can cause dust in the air. Dust can cause serious injury and permanent health problems. Silica dust is regulated as harmful by several authorities. These are examples of such health problems:
 - The fatal lung diseases chronic bronchitis, silicosis and pulmonary fibrosis
 - Cancer
 - Birth defects
 - Skin inflammation
- Use correct equipment to decrease the quantity of dust and fumes in the air and to decrease dust on work equipment, surfaces, clothing and body parts. Examples of controls are dust collection systems and water sprays to bind dust. Decrease dust at the source where possible. Make sure that the equipment is correctly installed and used and that regular maintenance is done.
- Use approved respiratory protection. Make sure that the respiratory protection is applicable for the dangerous materials in the work area.
- Make sure that the airflow is sufficient in the work area.
- If it is possible, point the exhaust of the product where it cannot cause dust to go into the air.

Personal protective equipment



WARNING: Read the warning instructions that follow before you use the product.

- Always use approved personal protective equipment during operation. Personal protective equipment cannot eliminate the risk of injury but it will reduce the degree of injury if an accident does happen. Ask your servicing dealer for help in choosing the right equipment.
- Use an approved protective helmet.
- Use approved hearing protection. Long-term exposure to noise can result in permanent hearing impairment. Be aware of warning signals or shouts when you are wearing hearing protection. Always remove your hearing protection as soon as the engine stops.
- Use approved eye protection to decrease the risk of injury from thrown objects. If you use a face shield then you must also wear approved protective goggles. Approved protective goggles must comply with standard ANSI Z87.1 in the USA or EN 166 in EU countries. Visors must comply with standard EN 1731.
- Use heavy duty gloves.

- Use approved respiratory protection. The use of products such as cutters, grinders, drills, that sand or form material can generate dust and vapours which may contain hazardous chemicals. Check the nature of the material you intend to process and use appropriate breathing mask.
- Use tight-fitting, heavy-duty and comfortable clothing that permits full freedom of movement. Cutting generates sparks that can ignite clothing. Husqvarna recommends that you wear flame-retardant cotton or heavy denim. Do not wear clothing made of material such as nylon, polyester or rayon. If ignited such material can melt and cling to the skin. Do not wear shorts.
- Use boots with steel toe-cap and non-slip sole.
- Always keep a first aid kit near.



- Sparks can come from the muffler or the cutting blade. Always have a fire extinguishing available.

Safety devices on the product



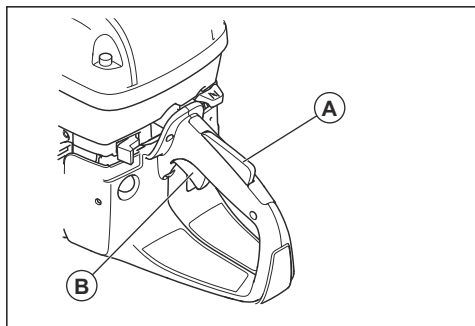
WARNING: Read the warning instructions that follow before you use the product.

- Do not use a product with defective safety devices.
- Do a check of the safety devices regularly. If the safety devices are defective, speak to your Husqvarna approved service agent.
- Do not change the safety devices.
- Do not use the product if protective plates, protective covers, safety switches or other protective devices are defective or not attached.

Throttle trigger lockout

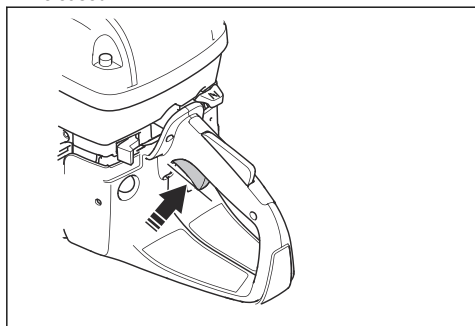
The throttle trigger lockout prevents accidental operation of the throttle trigger. If you put your hand around the handle and push the throttle trigger lockout (A), it releases the throttle trigger (B). If you release the handle, the throttle trigger and the throttle trigger lockout

move back to their initial positions. This function locks the throttle trigger at idle speed.

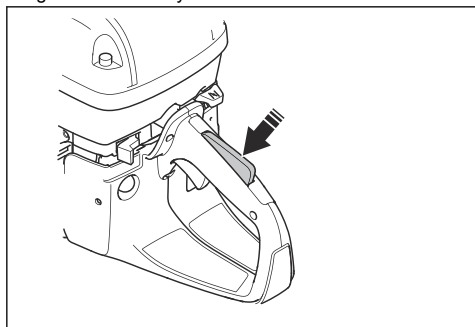


To do a check of the throttle trigger lockout

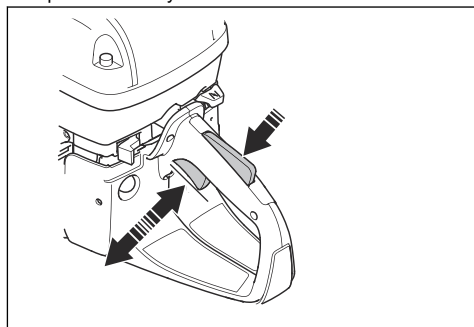
1. Make sure that the throttle trigger is locked at the idle position when the throttle trigger lockout is released.



2. Push the throttle trigger lockout and make sure that it goes back when you release it.



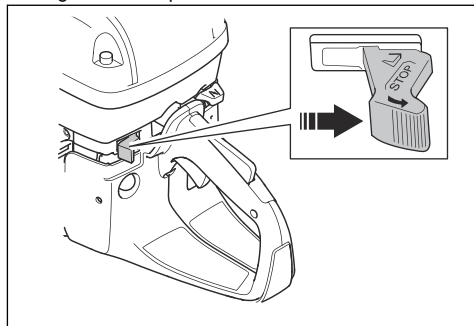
3. Make sure that the throttle trigger and throttle trigger lockout move freely and that the return springs operate correctly.



4. Start the product and apply full throttle.
5. Release the throttle control and make sure that the cutting blade stops and stays stationary.
6. If the cutting blade rotates at idle position, adjust the idle speed. Refer to *To adjust the idle speed on page 29*.

To do a check of the stop switch

1. Start the engine. Refer to *To start the product with a cold engine on page 22*.
2. Push the stop switch to the STOP position. The engine must stop.



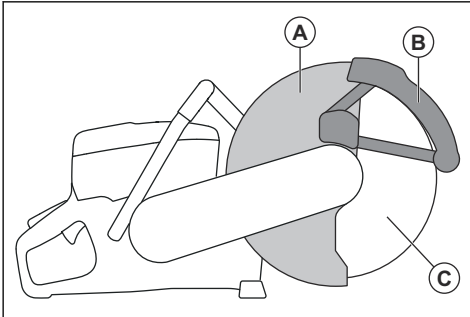
Blade guard and SmartGuard (Optional)



WARNING: Make sure that the blade guard and SmartGuard are correctly attached before you start the product. Do not use the product if the blade guard or SmartGuard is missing, defective or has cracks.

The blade guard (A) and SmartGuard (B) are installed above the cutting blade (C). They prevent injury if pieces

of the blade or cut material are thrown in the direction of the operator.



The SmartGuard is spring loaded and must always move freely and retract to its initial position by spring force.

To examine the blade and the blade guard



WARNING: A damaged cutting blade can cause injury.

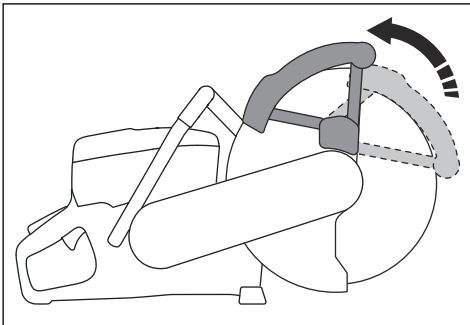
1. Make sure that the cutting blade is attached correctly and does not show signs of damage.
2. Make sure that the blade guard has no cracks or is damaged.
3. Replace the blade guard if it is damaged.

To do a check of the SmartGuard



WARNING: A damaged SmartGuard can cause injury.

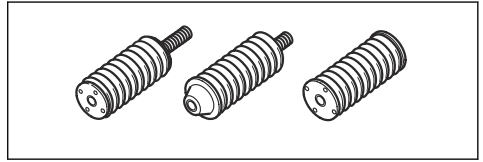
1. Make sure that the SmartGuard has no cracks or is not damaged.
2. Make sure that the SmartGuard moves freely and retracts by spring force.



3. Clean or replace the SmartGuard if it does not retract immediately when pushed in, or is damaged.

Vibration damping system

Your product is equipped with a vibration damping system that is designed to minimize vibration and make operation easier. The product's vibration damping system reduces the transfer of vibration between the engine unit/cutting equipment and the product's handle unit.



To do a check of the vibration damping system



WARNING: Make sure that the engine is off and that the stop switch is in STOP position.

1. Make sure that there are no cracks or deformation on the vibration damping units. Replace the vibration damping units if they are damaged.
2. Make sure that the vibration damping units are correctly attached to the engine unit and handle unit.

Muffler

The muffler keeps the noise levels to a minimum and sends the exhaust fumes away from the operator.

Do not use the product if the muffler is missing or defective. A defective muffler increases the noise level and the risk of fire.



WARNING: The muffler becomes very hot during and after use and when the engine operates at idle speed. Be careful near flammable materials and/or fumes to prevent fire.

To do a check of the muffler

- Examine the muffler regularly to make sure that it is attached correctly and not damaged.

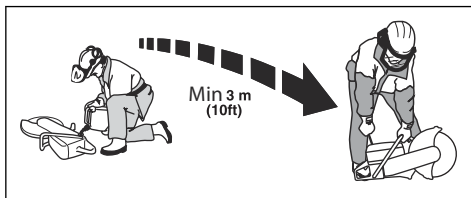
Fuel safety



WARNING: Read the warning instructions that follow before you use the product.

- Fuel is flammable and the fumes are explosive. Be careful with fuel to prevent injury, fire and explosion.
- Only refuel the product outdoors, where the airflow is sufficient. Do not breathe in the fuel fumes. The fuel fumes are poisonous and can cause injury, fire and explosion.
- Do not remove the fuel tank cap or fill the fuel tank when the engine is on.

- Let the engine become cool before you refuel.
- Do not smoke near the fuel or the engine.
- Do not put hot objects near the fuel or the engine.
- Do not fill fuel near sparks or flames.
- Before you refuel, open the fuel tank cap slowly and release the pressure carefully.
- Fuel on your skin can cause injury. If you get fuel on your skin, use soap and water to remove the fuel.
- If you spill fuel on your clothing, change clothing immediately.
- Tighten the fuel tank cap fully. If the fuel tank cap is not correctly tightened, the vibrations in the product can loosen it and cause leakage of fuel and fuel fumes. Fuel and fuel fumes are a risk of fire.
- Before you start the product, move the product to a minimum of 3 m/10 ft from where you refueled.



- Do not start the product if there is fuel or oil spilled on the product. Remove the unwanted fuel and oil and let the product dry before you start the engine.
- Examine the engine for leaks regularly. If there are leaks in the fuel system, do not start the engine until the leaks are repaired.

- Keep fuel in approved containers only.
- When the product and fuel is in storage, make sure that fuel and fuel fumes cannot cause damage, fire and explosion.
- Drain the fuel in an approved container outdoors and away from sparks and flames.

Safety instructions for maintenance



WARNING: Read the warning instructions that follow before you use the product.

- Make sure that the engine is off and that the stop switch is in STOP position.
- Use personal protective equipment. Refer to *Personal protective equipment on page 8*.
- If the maintenance is not done correctly and regularly, the risk of injury and damage to the product increases.
- Only do the maintenance as given in this operator's manual. Let an approved service center do all other servicing.
- Let an approved Husqvarna service agent do servicing on the product regularly.
- Replace damaged, worn or broken parts.
- Always use original accessories.

Assembly

Cutting blades



WARNING: Always use protective gloves when you assemble the product.



WARNING: A cutting blade can break and cause injury to the operator.



WARNING: Examine the cutting blade for cracks, lost segments distortion or unbalance prior to use and immediately after striking an unintended object. Do not use a damaged cutting blade. After inspecting and installing the cutting blade, position yourself and bystanders away from the plane of the rotating cutting blade and run the power tool at maximum no load speed for one minute.



WARNING: The cutting blade manufacturer gives warnings and recommendations for the operation and correct maintenance of

the cutting blade. Those warnings are supplied with the cutting blade. Read and obey the instructions that are supplied with the cutting blade.

Applicable cutting blades



WARNING: Only use diamond blades and abrasive blades for concrete and metal. Do not use blades with serrations such as circular wood cutting blades or blades with carbide tips. The risk of kickback is increased and carbide tips can come off and be thrown at high speed. This can result in injury or death.



WARNING: Never use a cutting blade for any other materials than what it was intended to cut.

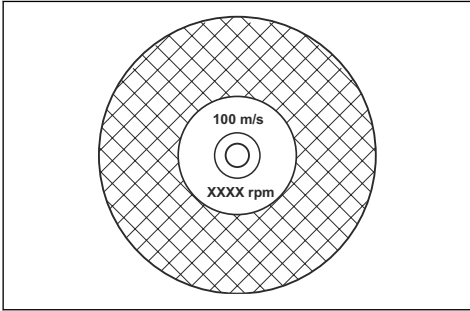


WARNING: Use only cutting blades that comply with applicable national or regional

standards, for example EN12413, EN13236 or ANSI B7.1.



WARNING: Do not use a cutting blade with a rated speed value lower than that of the product. The rated speed value of the cutting blade is marked on the cutting blade, and that of the product is marked on the blade guard.

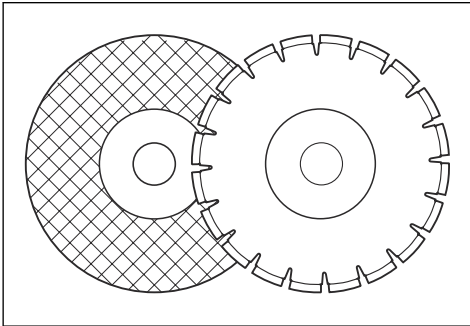


Note: Many cutting blades that can be attached to this product are made for stationary saws. The rated speed value of those cutting blades is too low for this product.



CAUTION: Do not use cutting blades with thickness exceeding maximum recommended thickness. Refer to *Technical data on page 32*.

- Cutting blades applicable to this product are available in two basic models; bonded abrasive blades and diamond blades.



- Make sure that the cutting blade has the correct center hole dimension for the installed arbor bushing.

Cutting blade vibration



CAUTION: If you use the product with too much force, the cutting blade can become too hot, bend and cause vibrations. Use the product with less force. If the vibrations continue, replace the cutting blade.

Bonded abrasive cutting blades



WARNING: Do not use bonded abrasive cutting blades together with water. Moisture decreases the strength in the bonded abrasive cutting blade and the cutting blade can break and cause injury.

A bonded abrasive cutting blade is made of small abrasive grains joined with an organic or vitrified bond, molded with fabric reinforcements, which prevents the cutting blade from breaking during high speed operation.

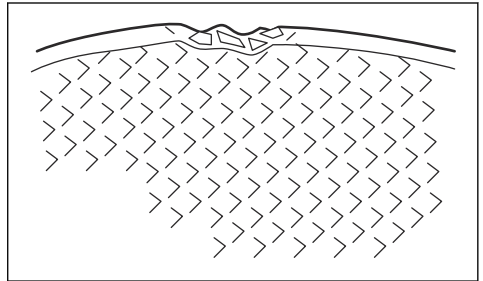
Bonded abrasive cutting blades for different materials

Note: Make sure that you use the correct cutting blades for rail cutting.

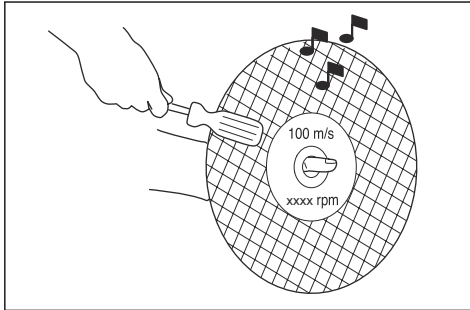
Blade type	Material
Concrete blade	Concrete, asphalt, stone masonry, cast iron, aluminum, copper, brass, cables, rubber and plastic.
Metal blade	Steel, alloy steel and other hard metal.
Cutting blade for rail cutting	Rail

To examine a bonded abrasive cutting blade

- Make sure that there are no cracks or damages on the cutting blade.



- Hang the cutting blade on your finger and hit the cutting blade lightly with a screwdriver. If you do not hear a clear sound, the cutting blade is damaged.



Diamond blades

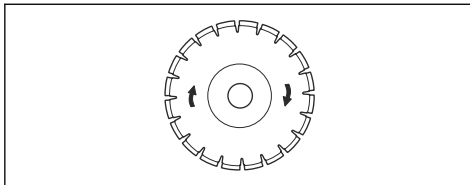


WARNING: Diamond blades become very hot when used. A diamond blade that is too hot gives bad performance, blade damage and is a safety risk.



WARNING: Do not use diamond blades to cut plastic material. The hot diamond blade can melt the plastic, which can cause a kickback.

- Diamond blades have a steel core with segments that are made of industrial diamonds.
- Diamond blades are used for masonry, reinforced concrete and stone.
- Make sure that the diamond blade rotates in the direction of the arrows shown on the diamond blade.



- Always use a sharp diamond blade.
- Diamond blades can become blunt if you use an incorrect feeding pressure or when you cut materials such as hard reinforced concrete. If you use a blunt diamond blade it becomes too hot, which can cause the diamond segments to come loose.

To sharpen the cutting blade

Note: For the best cutting results, use a sharp cutting blade.

- To sharpen the cutting blade, cut into soft material, such as sandstone or brick.

Diamond blades for wet cutting

- Diamond blades for wet cutting must be used with water.
- Water decreases the temperature of the cutting blade, increases its service life and decreases dust during operation.
- When wet cutting, collect the waste water safely.

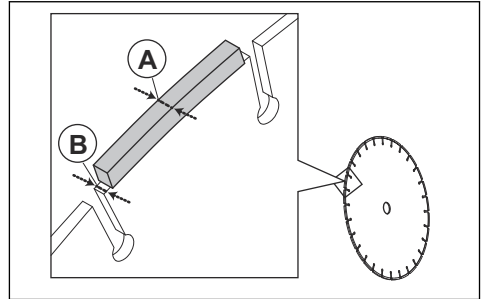
Diamond blades for dry cutting

- For diamond blades for dry cutting it is necessary to have a sufficient airflow around the cutting blade to decrease the temperature. Because of this, diamond blades for dry cutting are recommended only for intermittent operation. After some seconds of operation, it is necessary to let the diamond blade rotate freely, away from the cut. This lets the airflow around the blade decrease the temperature of the diamond blade.

Diamond blade - side clearance



WARNING: Certain cutting situations or poor blades can suffer excessive wear on the side of the segments. Make sure the diamond segment (A) is wider than the blade (B). This is to prevent pinching in the cutting slot and kickback. Refer to *Kickback* on page 17.



CAUTION: Some cutting situations and worn blades may cause increased wear on the side of the segments. Replace the blade before it is worn out.

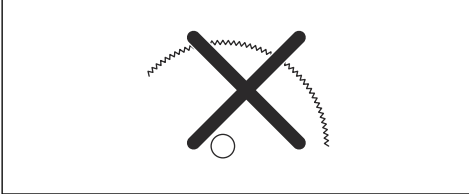
Toothed blades



WARNING: Never use toothed blades such as wood cutting blades, circular toothed blades, carbide tipped blades, etc. The risk of kickback is significantly increased and tips can be torn off and thrown at high speed. Carelessness can result in serious personal injury or even death.



WARNING: Government regulation requires a different type of guarding for carbide tipped blades not available on power cutters – a 360 degree guard. Power Cutters (this saw) use diamond blades and have a different guarding system which does not provide protection against the dangers presented by wood cutting blades.



Use of this power cutter with a carbide tipped blade is a violation of work safety regulations.

Due to the hazardous nature and exigent circumstances involved with fire fighting and rescue operations conducted by the various highly trained public safety forces, safety professionals (fire departments), Husqvarna is aware that they may use this power cutter with carbide tipped blades in certain emergency situations due to the ability of carbide tipped blades to cut many different types of obstructions and materials in combination without having to take time to switch blades or machines. When using this power cutter be aware at all times that carbide tipped blades are more kickback prone than diamond blades if not used properly. Carbide tipped blades can also throw pieces of material away from the blade.

For these reasons, a power cutter equipped with a carbide tipped blade should never be used except by highly trained public safety professionals who are aware of the risks associated with its use and then only in those exigent circumstances when other tools are deemed inefficient and ineffective for fire or rescue operations. A power cutter equipped with a carbide tipped blade should never be used to cut wood in non-rescue operations.

To examine the spindle shaft and the flange washers



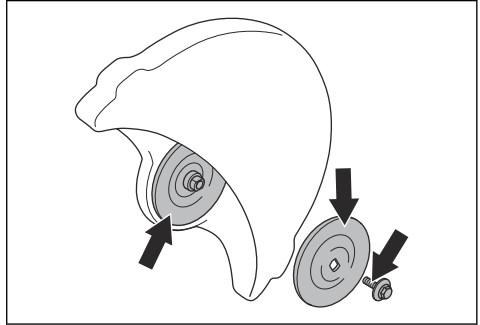
CAUTION: Use only Husqvarna flange washers with a minimum diameter of 105 mm/4.1 in.



WARNING: Do not use defective, worn or dirty flange washers. Use only flange washers of the same dimension. Incorrect flange washers can cause the cutting blade to become damaged or come loose.

Examine the spindle shaft and the flange washers when you replace the cutting blade.

1. Make sure that the threads on the spindle shaft are not damaged. Replace damaged parts.

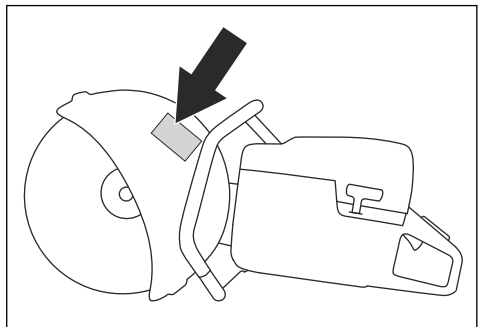


2. Make sure that the areas of contact on the cutting blade and the flange washers are not damaged. Replace damaged parts.
3. Make sure that the flange washers are clean and of the correct dimension.
4. Make sure that the flange washers move freely on the spindle shaft.

To do a check of the arbor bushing

The arbor bushings are used to attach the product to the center hole of the cutting blade. The product is supplied with one of these two types of arbor bushings:

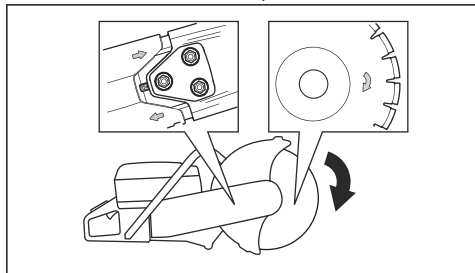
- An arbor bushing that can be turned to the other side and be applicable for 20 mm/0.79 in. or 25.4 mm/1 in. center holes.
- A 25.4 mm/1 in. arbor bushing.
- A decal on the blade guard shows installed arbor bushing and specification for applicable cutting blades.



- Make sure that the dimension of the center hole of the cutting blade agrees with the installed arbor bushing. The diameter of the center hole is printed on the cutting blade.
- Use only Husqvarna arbor bushings.

To examine the direction of rotation of the cutting blade

1. Find the arrows on the cutting arm that show the direction of rotation of the spindle shaft.



2. Find the arrow on the cutting blade that shows the direction of rotation of the cutting blade.
3. Make sure that the direction arrows of the cutting blade and the spindle shaft have the same direction.

To install the cutting blade

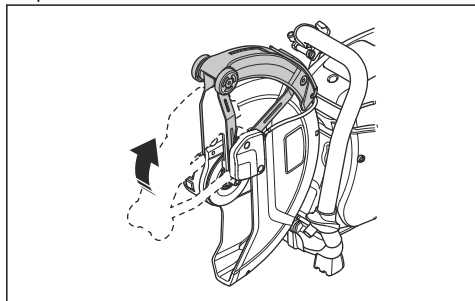


WARNING: Make sure that the engine is off and that the stop switch is in the STOP position.



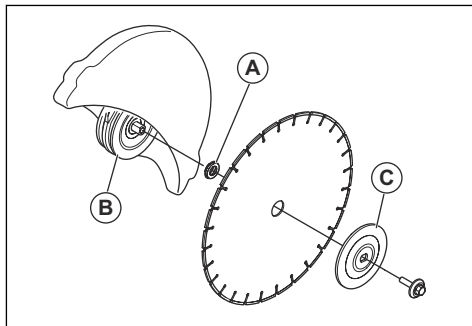
WARNING: Always use protective gloves when you assemble the product.

1. Examine the flange washers and the spindle shaft. Refer to *To examine the spindle shaft and the flange washers* on page 14.
2. Push back and hold the SmartGuard in the retracted position.

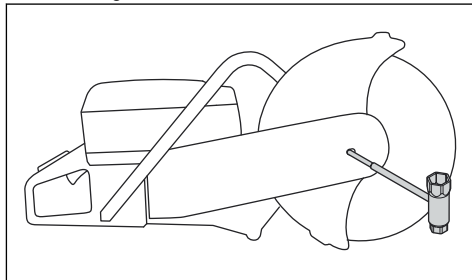


Note: This step only applies to K 970 SmartGuard.

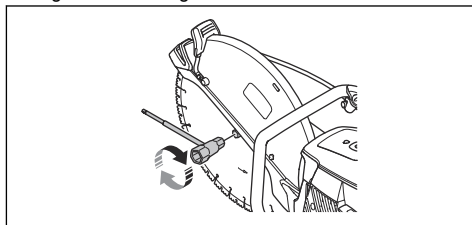
3. Put the cutting blade on the arbor bushing (A) between the inner flange washer (B) and the flange washer (C). Turn the flange washer until it holds on to the shaft.



4. Put a tool into the hole in the cutting head and turn the cutting blade until the shaft is locked.



5. Tighten the cutting blade bolt to 30 Nm/18.5 ft-lb.



To reverse the cutting head (K 970 III, K 970 III Rescue)



WARNING: Only cut with the cutting head reversed if a standard procedure is not possible.

The product has a reversible cutting head that lets you cut near a wall or at ground level. Only cut with the cutting head reversed if a standard procedure is not possible. If a kickback occurs, it is more difficult to control the product if the cutting head is reversed. The distance between the cutting blade and the center of the product is longer, which means that the handle and the cutting blade do not align. This has a negative effect on the balance in the product and it is more difficult to hold

the product if the cutting blade is pinched or stalled in the kickback zone. Refer to *Kickback on page 17*.

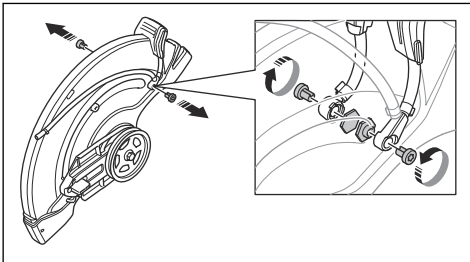


WARNING: Make sure that the engine is off and that the stop switch is in the STOP position.

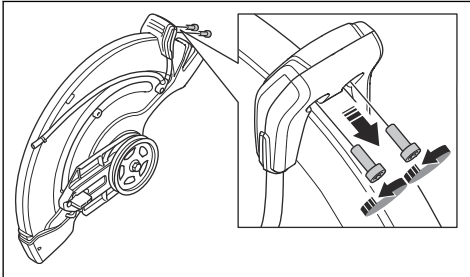


WARNING: Always use protective gloves when you assemble the product.

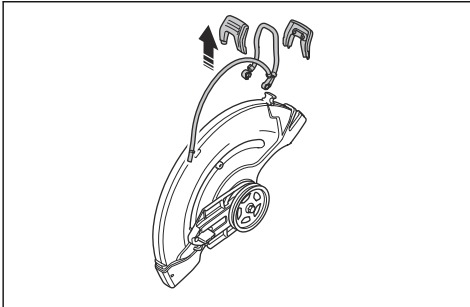
1. Remove the cutting blade, the front belt cover and the cutting head. Refer to steps 1-5 in *To replace the drive belt on page 26*.
2. Remove the 2 screws and nuts that hold the spray nozzle.



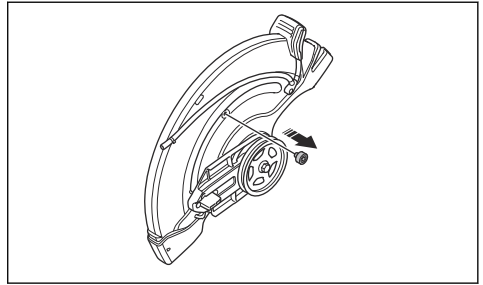
3. Remove the 2 screws from the adjustment handle for the blade guard.



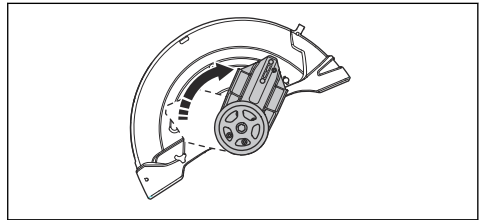
4. Remove the adjustment handle for the blade guard



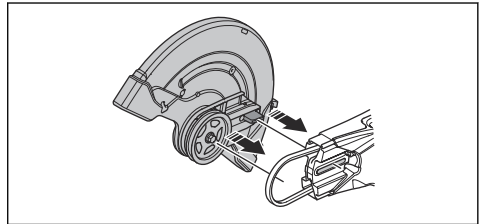
5. Remove the stop sleeve.



6. Move the bearing housing and install the stop sleeve.



7. Install the stop sleeve.
8. Install the drive belt on the opposite side.



9. Install the cutting head and the drive belt cover, refer to *To replace the drive belt on page 26*.
10. Install the spray nozzle and the cutting blade in the opposite sequence to how they were removed.

Operation

Introduction



WARNING: Read and understand the safety chapter before you use the product.

Kickback

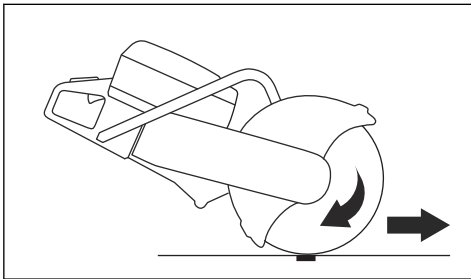


WARNING: Kickbacks are sudden and can be very violent. The power cutter can be thrown up and back towards the user in a rotating motion causing serious or even fatal injury. It is vital to understand what causes kickback and how to avoid it before using the product.

Kickback is the sudden upward motion that can occur if the blade is pinched or stalled in the kickback zone. Most kickbacks are small and pose little danger. However a kickback can also be very violent and throw the power cutter up and back towards the user in a rotating motion causing serious or even fatal injury.

Reactive force

A reactive force is always present when cutting. The force pulls the product in the opposite direction to the blade rotation. Most of the time this force is insignificant. If the blade is pinched or stalled, the reactive force will be strong and you might not be able to control the power cutter.

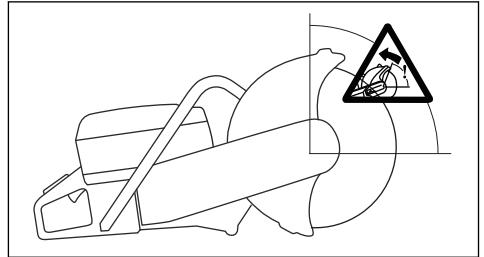


Never move the product when the cutting equipment is rotating. Gyroscopic forces can obstruct the intended movement

Kickback zone

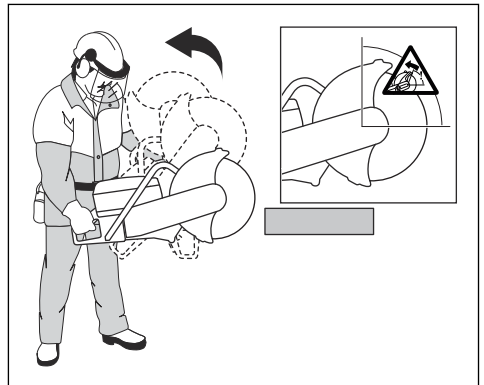
Never use the kickback zone of the blade for cutting. If the blade is pinched or stalled in the kickback zone, the reactive force will push the power cutter up and back

towards the user in a rotating motion causing serious or even fatal injury.



Rotational kickback

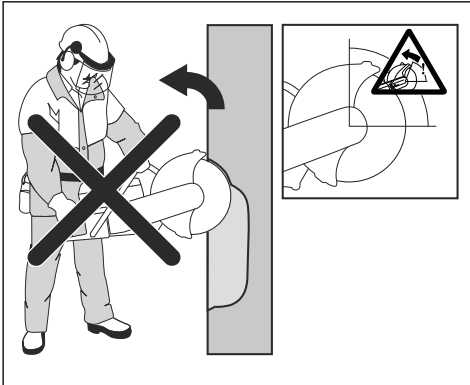
A rotational kickback occurs when the cutting blade does not move freely in the kickback zone.



Climbing kickback

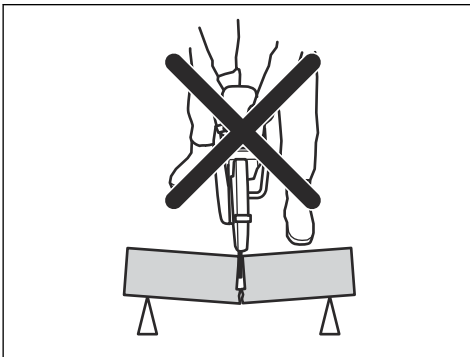
If the kickback zone is used for cutting, the reactive force drives the blade to climb up in the cut. Do not use

the kickback zone. Use the lower quadrant of the blade to avoid climbing kickback.



Pinching kickback

Pinching is when the cut closes and pinches the blade. If the blade is pinched or stalled the reactive force will be strong and you might not be able to control the power cutter.



If the blade is pinched or stalled in the kickback zone, the reactive force will push the power cutter up and back towards the user in a rotating motion causing serious or even fatal injury. Be alert for potential movement of the work piece. If the work piece is not properly supported and shifts as you cut, it might pinch the blade and cause a kick back.

To cut in pipes



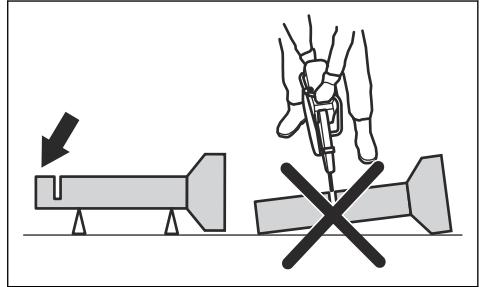
WARNING: If the blade is pinched in the kickback zone it will cause a severe kickback.

Special care should be taken when cutting in pipes. If the pipe is not properly supported and the cut kept open through out the cutting, the blade might be pinched. Be especially alert when cutting a pipe with a belled end or

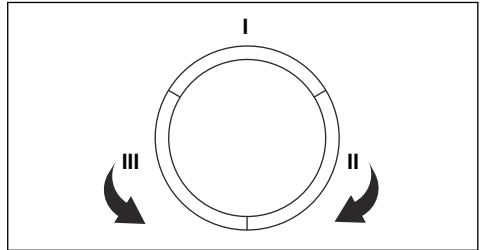
a pipe in a trench that, if not properly supported, may sag and pinch the blade.

If the pipe is allowed to sag and close the cut, the blade will be pinched in the kick back zone and a severe kick back might develop. If the pipe is properly supported the end of the pipe will move downward, the cut will open and no pinching will occur.

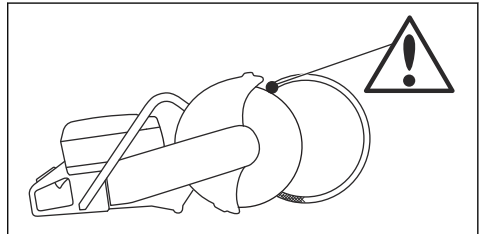
1. Secure the pipe so it does not move or roll during cutting.



2. Cut section "I" of the pipe.



3. Ensure that the cut opens to avoid pinching.



4. Move to side II and cut from section I to bottom of the pipe.
5. Move to side III and cut the remaining part of the pipe ending at the bottom.

To prevent a kickback



WARNING: Avoid situations where there is a risk of kickback. Take care when using your power cutter and make sure that the blade is never pinched in the kickback zone.



WARNING: Be careful when you put the blade in an existing cut.

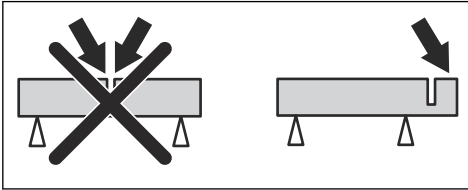


WARNING: Make sure that the work piece cannot move during a cutting operation.



WARNING: Only you and proper working technique can eliminate kickback and its dangers.

- Always support the work of piece so that the cut can keep open when cutting through. When the cut is open there is no kickback. If the cut is closed and pinches the blade, there is a risk of kickback.



Basic working techniques



WARNING: Do not pull the product to one side. This can prevent the free movement of the cutting blade. The cutting blade can break and cause injury to the operator or bystanders.



WARNING: Do not grind with the side of the cutting blade. The cutting blade can break and cause injury to the operator or bystanders. Only use the cutting edge.



WARNING: Make sure that the cutting blade is installed correctly and does not show signs of damage.



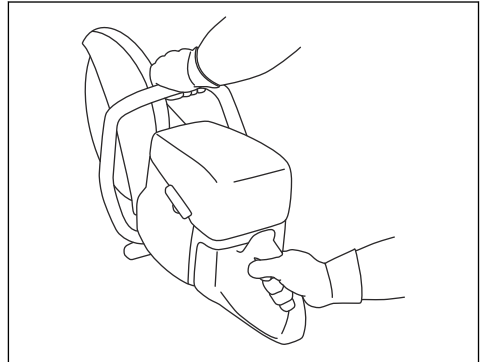
WARNING: Before cutting in an existing cut made by a different blade, make a sure that the slot is not thinner than your blade as that can result in binding in the cutting slot and a kickback.



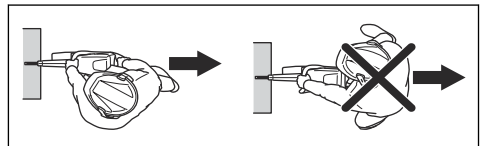
WARNING: Cutting metal generates sparks that can cause fire. Do not use the product near flammable material or gases.

- The product is made to cut with bonded abrasive cutting blades or diamond blades made for high speed handheld product. The product must not be used with other types of blade, or for other types of operation.

- Do a check that the correct cutting blade is used for the material to be cut. Refer to *Applicable cutting blades on page 11* for instructions.
- Do not cut asbestos materials.
- Keep a safe distance from the cutting blade when the engine is on. Do not try to stop a rotating blade with a part of your body. To touch a rotating blade, although the engine is off, can result in serious injury or death.
- The cutting blade continues to rotate for a while after the throttle trigger is released. Make sure that the cutting blade has stopped before the product is moved or put down. If it is necessary to stop the cutting blade quickly, let the cutting blade lightly touch a hard surface.
- Do not move the product with the engine on.
- Hold the product with 2 hands. Hold the product tightly with thumbs and fingers fully around the plastic handles with insulation. The right hand must be on the rear handle and the left hand on the front handle. All operators must use this hold. Do not operate a power cutter with only 1 hand.

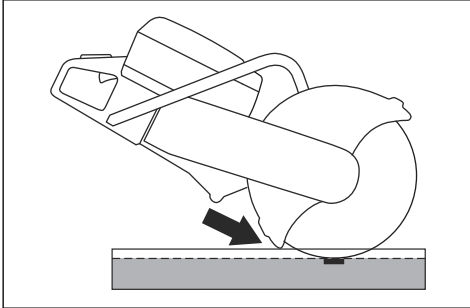


- Stand parallel to the cutting blade. Avoid standing straight behind. If a kickback occur, the saw will move in the plane of the cutting blade.

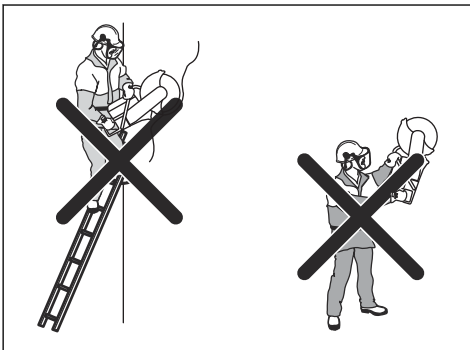


- Do not go away from the product with the engine on. Before you go away from the product, stop the engine and make sure that there is no risk of accidental start.
- Use the adjustment handle of the blade guard to adjust the rear section of the guard flush with the work piece. Spatter and sparks from the cut material are then collected up by the guard and led away from the operator. The guards for the cutting

equipment must always be installed when the product is on.

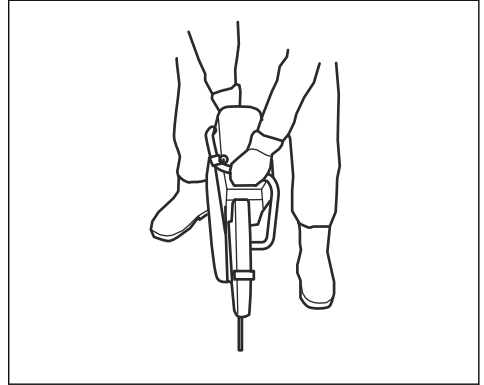


- Do not use the kickback zone of the blade for cutting. Refer to *Kickback zone* on page 17 for instructions.
- Do not operate the product before the work area is clear and your feet and body are in a stable position.
- Do not cut above shoulder height.
- Do not cut from a ladder. Use a platform or scaffold if the cut is above shoulder height. Do not overreach.

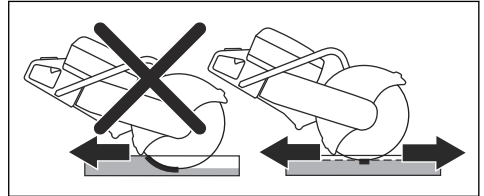


- Stay at a comfortable distance from the work piece.
- Make sure that the cutting blade can move freely when the engine is started.
- Apply the cutting blade carefully with high rotating speed (full throttle). Keep full speed until cutting is complete.
- Let the product do the work. Do not push the cutting blade.

- Feed the product down in line with the blade. Pressure from the side can cause damage to the blade and is very dangerous.



- Move the blade slowly forward and rearward to get a small contact area between the blade and the material to be cut. This decreases the temperature of the blade and is an effective way to cut.



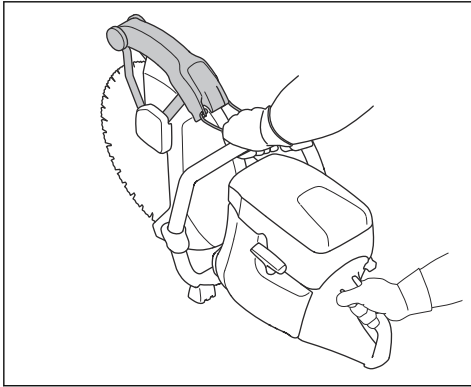
Basic working techniques with K 970 SmartGuard



WARNING: The SmartGuard function is disengaged if the SmartGuard is manually retracted. Only retract the SmartGuard manually if you must and there are no risks of kickback.

SmartGuard gives more coverage of the blade. This decreases the risk that you touch the blade if a kickback occurs.

- You can retract the SmartGuard manually with the SmartGuard handle.
- Hold the SmartGuard handle with a left hand finger while the remaining fingers hold the front handle at the same time.



To decrease dust during operation

The product has a wet cutting kit to decrease harmful dust in the air during operation. The wet cutting kit has low water consumption.

- When possible, use wet cutting blades with water cooling. Refer to *Cutting blades on page 11*.
- Adjust the water flow with the valve. The correct flow is different for different types of tasks.
- Make sure that the water pressure is correct. Refer to *Technical data on page 32*. If the water hose comes off at the supply source, the supplied water pressure can be too high.

Fuel

This product has a two-stroke engine.



CAUTION: Incorrect type of fuel can result in engine damage. Use a mixture of gasoline and two-stroke oil.

Two-stroke oil

- For best results and performance use Husqvarna two-stroke oil.
- If Husqvarna two-stroke oil is not available, use a two-stroke oil of good quality for air-cooled engines. Speak to your servicing dealer to select the correct oil.



CAUTION: Do not use two-stroke oil for water-cooled outboard engines, also referred to as outboard oil. Do not use oil for four-stroke engines.

Premixed fuel

- Use Husqvarna premixed alkylate fuel for best performance and extension of the engine life. This fuel contains less harmful chemicals compared to regular fuel, which decreases harmful exhaust fumes. The quantity of remains after combustion is

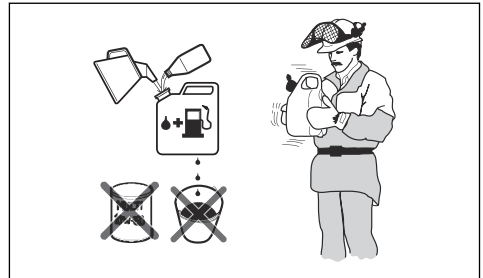
lower with this fuel, which keeps the components of the engine more clean.

To mix gasoline and two-stroke oil

Gasoline, liter	Two-stroke oil, liter
	2% (50:1)
5	0.10
10	0.20
15	0.30
20	0.40
US gallon	US fl. oz.
1	2 ½
2 1/2	6 ½
5	12 ½



CAUTION: Small errors can influence the ratio of the mixture drastically when you mix small quantities of fuel. Measure the quantity of oil carefully and make sure that you get the correct mixture.



1. Fill half the quantity of gasoline in a clean container for fuel.
2. Add the full quantity of oil.
3. Shake the fuel mixture.
4. Add the remaining quantity of gasoline to the container.
5. Carefully shake the fuel mixture.



CAUTION: Do not mix fuel for more than 1 month at a time.

To fill fuel



CAUTION: Do not use gasoline with an octane number less than 90 RON (87 AKI). It causes damage to the product.

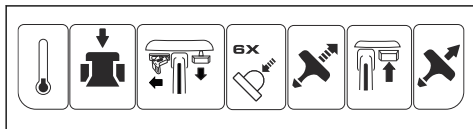


CAUTION: Do not use gasoline with more than 10% ethanol concentration (E10). It causes damage to the product.

Note: Carburetor adjustment is in some conditions necessary when you change the type of fuel.

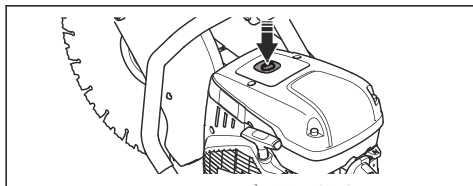
- Use gasoline with a higher octane number if you frequently use the product at continuously high engine speed.
1. Open the fuel tank cap slowly to release the pressure.
 2. Fill slowly with a fuel can. If you spill fuel, remove it with a cloth and let the remaining fuel dry off.
 3. Clean the area around the fuel tank cap.
 4. Tighten the fuel tank cap fully. If the fuel tank cap is not tightened, there is a risk of fire.
 5. Move the product a minimum of 3 m (10 ft) from the position where you filled the tank before a start.

To start the product with a cold engine

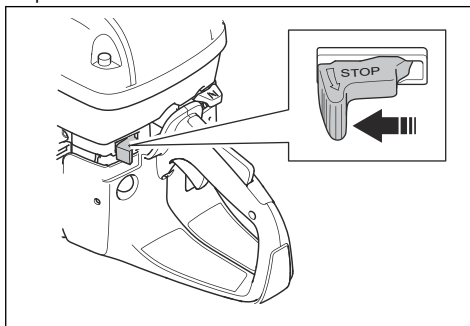


WARNING: Make sure that the cutting blade can rotate freely. It starts to rotate when the engine starts.

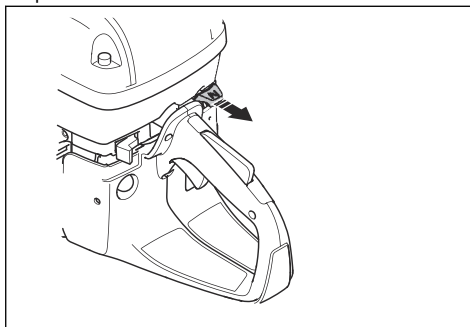
1. Push the decompression valve to decrease the pressure in the cylinder. The decompression valve goes back to its initial position when the product starts.



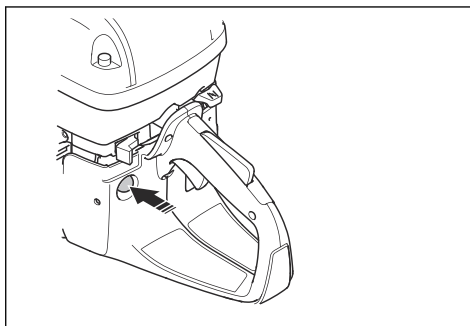
2. Make sure that the STOP switch is in the left position.



3. Pull the choke control fully to get the start throttle position.



4. Push the air purge bulb 6 times until it is fully filled with fuel.

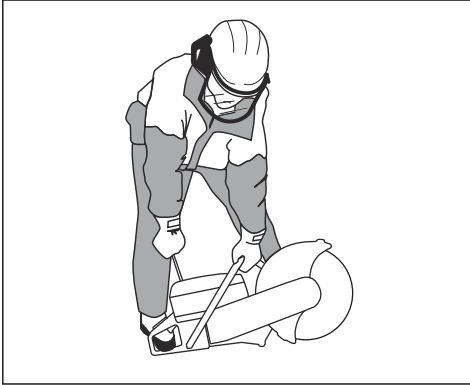


5. Hold the front handle with your left hand.
6. Put your right foot on the lower section of the rear handle to push the product against the ground.



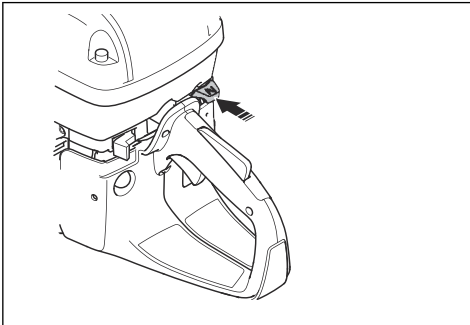
WARNING: Do not wind the starter rope around your hand.

- Pull the starter rope slowly with your right hand until you feel a resistance as the starter pawls engage. Then pull continuously and quickly.

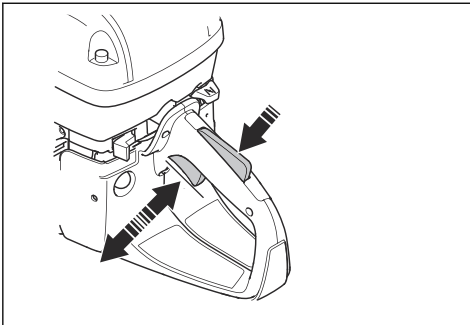


CAUTION: Do not pull the starter rope fully and do not let go of the starter rope handle when the starter rope is extended. This can cause damage to the product.

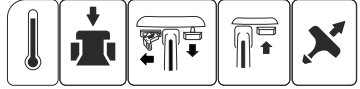
- Push the choke control when the engine starts. If the choke is pulled out, the engine will stop after some seconds. If the engine stops, pull the starter rope handle again.



- Push the throttle trigger to disengage the start throttle and set the product at idle speed.

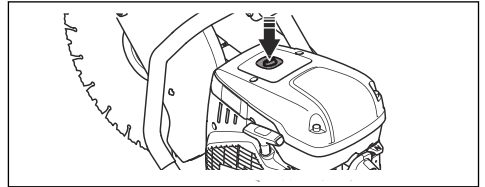


To start the product with a warm engine

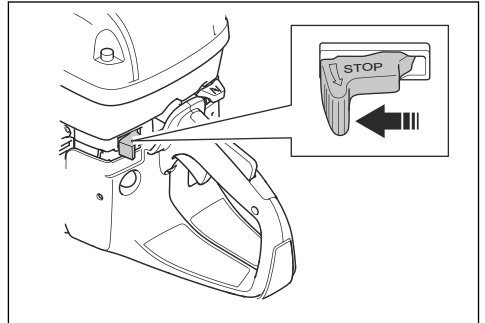


WARNING: Make sure that the cutting blade can rotate freely. It starts to rotate when the engine starts.

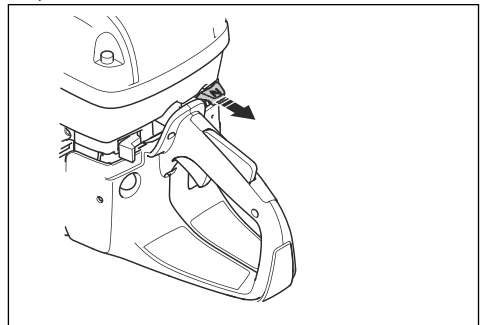
- Push the decompression valve to decrease the pressure in the cylinder. The decompression valve goes back to its initial position when the product starts.



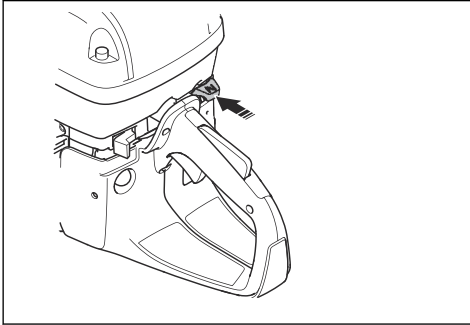
- Make sure that the STOP switch is in the left position.



- Pull the choke control fully to get the start throttle position.



4. Push the choke control to disable the choke. The start throttle stays in position.

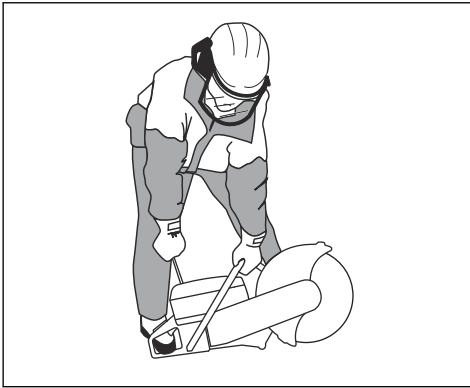


5. Hold the front handle with your left hand.
6. Put your right foot on the lower section of the rear handle to push the product against the ground.



WARNING: Do not wind the starter rope around your hand.

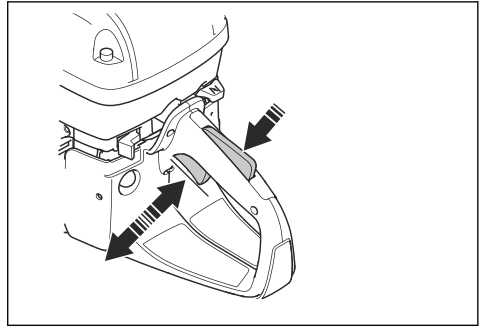
7. Pull the starter rope slowly until you feel a resistance as the starter pawls engage. Then pull continuously and quickly.



CAUTION: Do not pull the starter rope fully and do not let go of the starter rope

handle when the starter rope is extended. This can cause damage to the product.

8. Push the throttle trigger to disengage the start throttle and set the product at idle speed.

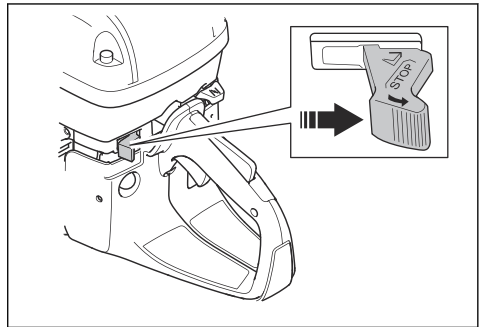


To stop the product



WARNING: The cutting blade continues to rotate for a while after the engine stops. Make sure that the cutting blade can rotate freely until it fully stops. If it is necessary to stop the cutting blade quickly, let the cutting blade lightly touch a hard surface. Risk of serious injury.

- Move the STOP switch to the right to stop the engine.



Maintenance

Introduction



WARNING: Read and understand the safety chapter before you do maintenance on the product.

For all servicing and repair work on the product, special training is necessary. We guarantee that professional

repairs and servicing is available. If your dealer is not a service agent, speak to them for information about the nearest service agent.

For spare parts, speak to your Husqvarna dealer or service agent.

Maintenance schedule

The maintenance schedule shows the necessary maintenance of the product. The intervals are calculated on daily use of the product.

	Daily	Weekly	Monthly	Yearly
Clean	External cleaning		Spark plug	
	Cold air intake		Fuel tank	
Function inspection	General inspection	Vibration damping system*	Fuel system	
	Fuel leaks	Muffler*	Air filter	
	Water delivery system	Drive belt	Clutch	
	Throttle lockout*	Carburetor		
	Stop switch*	Starter housing		
	Blade guard and SmartGuard*			
Cutting blade**				
Replace				Fuel filter

* Refer to *Safety devices on the product on page 8.*

** Refer to *Cutting blades on page 11.*

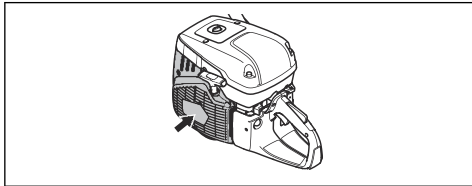
To clean externally

- Flush the product externally with clean water after each day of operation. If it is necessary, use a brush.

To clean the air intake

Note: A dirty or blocked air intake makes the product too hot. This can cause damage to the piston and cylinder.

- Clean the air intake if it is necessary.



- Remove blockage, dirt and dust with a brush.

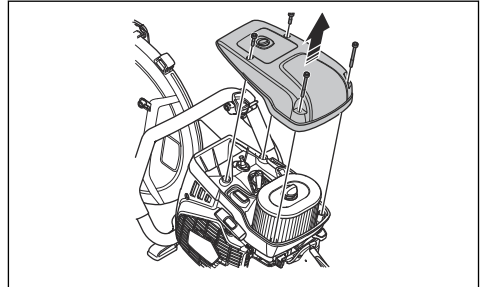
To examine the spark plug



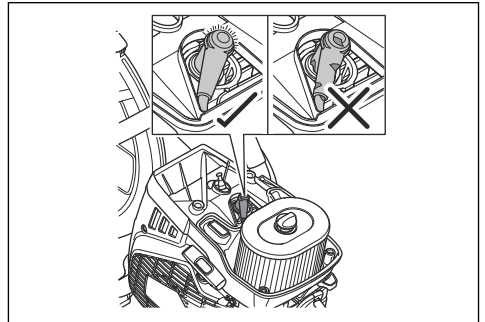
CAUTION: Always use the recommended spark plug type. Use of the incorrect spark plug can cause damage to the piston and cylinder. For recommended spark plug refer to *Technical data on page 32.*

Examine the spark plug if the product is low on power, does not start easily or if it operates unsatisfactorily at idle speed.

- Loosen the 4 screws and remove the air filter cover.



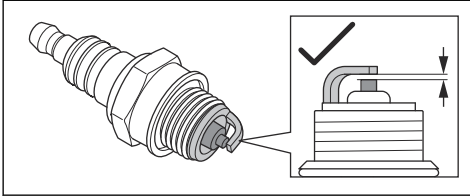
- Make sure that the spark plug cap and ignition cable are not damaged.



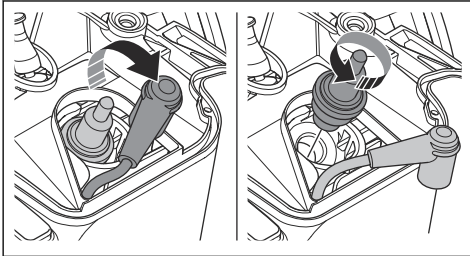


WARNING: A damaged spark plug cap and ignition cable can cause electrical shock.

3. Clean the spark plug if it is dirty.
4. Make sure that the electrode gap is 0.5 mm.



5. If it is necessary, replace the spark plug.



To do a general inspection

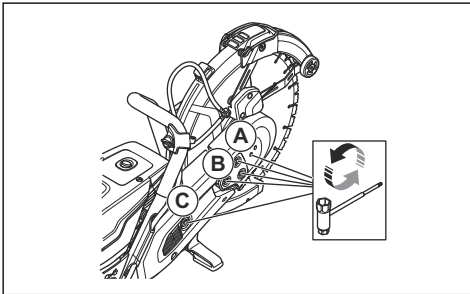
- Make sure that all nuts and screws on the product are tightened correctly.

To replace the drive belt



WARNING: Do not start the product without all guards and covers installed.

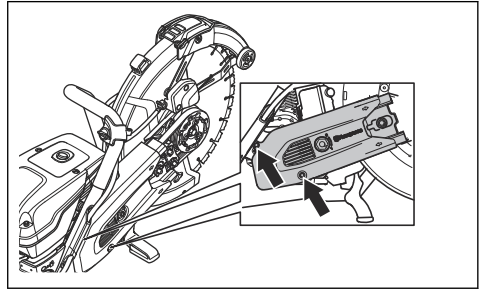
1. Loosen the screw (A).



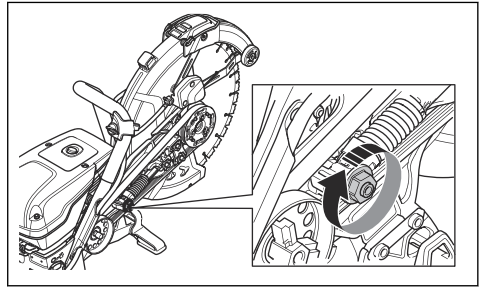
Note: This step only applies to K 970 III 400mm/ 16in..

2. Loosen the 3 nuts on the cutting head (B) and turn the belt tensioner (C) to the position "0".
3. Remove the front belt guard.

4. Remove the 2 screws on the rear belt guard. Remove the rear belt guard.



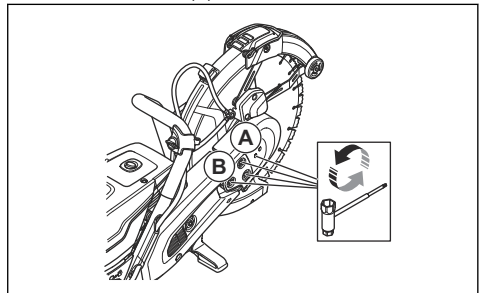
5. Replace the drive belt. Turn the belt tensioner to the position "1".



6. Install the 2 belt guards in opposite sequence.
7. Adjust the tension on the drive belt. Refer to *To adjust the tension of the drive belt on page 26.*

To adjust the tension of the drive belt

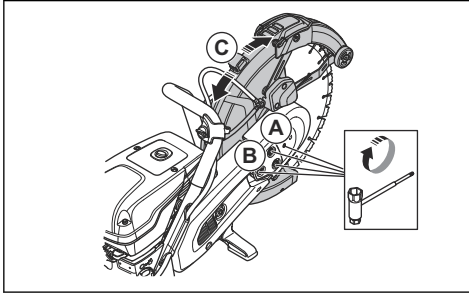
1. Loosen the screw (A).



Note: This step only applies to K 970 III 400mm/ 16in..

2. Loosen the 3 nuts (B).

3. Move the blade guard (C) up and down 3–5 times.
Tighten the 3 nuts (B).



4. Tighten the screw (A).

Note: This step only applies to K 970 III 400mm/16in..

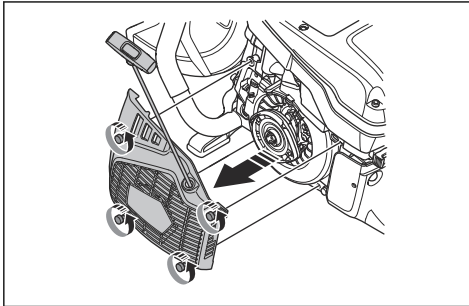
Starter housing



WARNING: Always be careful and always use eye protection when you replace the recoil spring or the starter rope. There is tension in the recoil spring when it is wound in the starter housing. The recoil spring can eject and cause injury.

To remove the starter housing

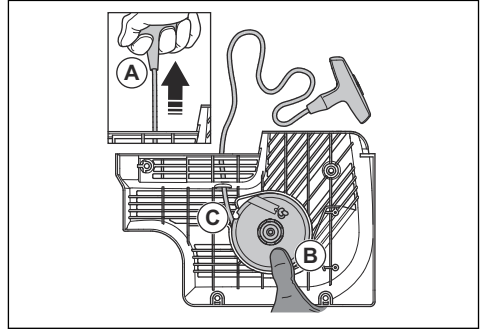
1. Loosen the 4 screws on the starter housing.



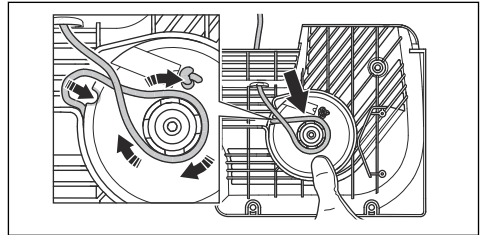
2. Remove the starter housing.

To replace a damaged starter rope

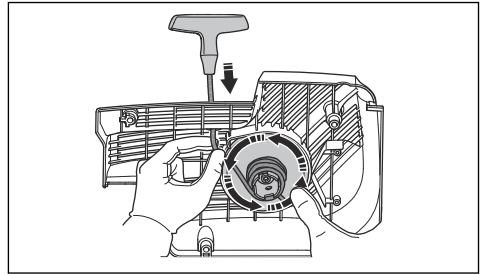
1. Pull out the starter rope approximately 30 cm (A).



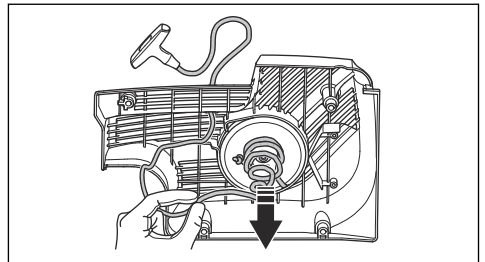
2. Hold the starter rope pulley (B) with your thumb.
3. Put the starter rope in the notch (C) in the starter pulley .
4. Put the starter rope around the metal sleeve.



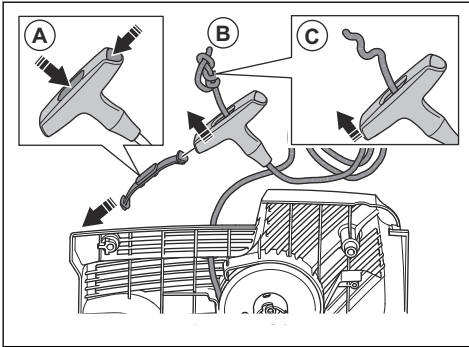
5. Let the starter pulley rotate slowly and the starter rope wind up on the metal sleeve.



6. Pull the starter rope to release it from the metal sleeve.



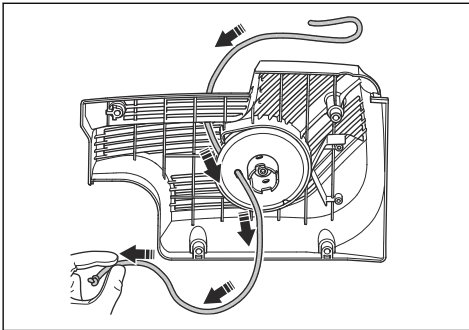
7. Remove the cover on the starter rope handle (A).



8. Pull the starter rope up through the handle (B).

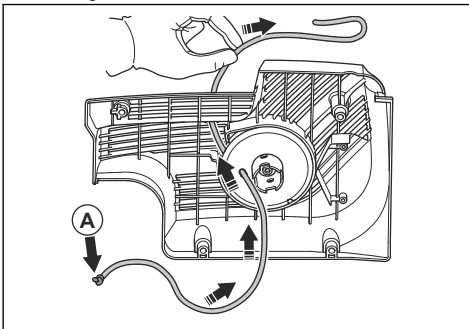
9. Release the knot (C).

10. Remove the starter rope.

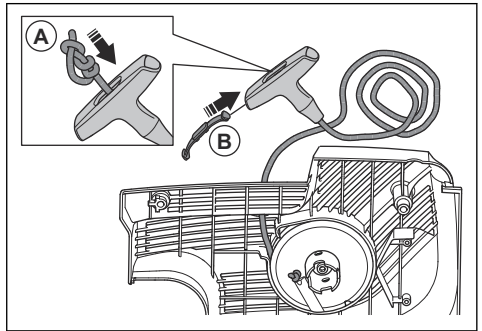


11. Make sure that the recoil spring is clean and not damaged.

12. Put a new starter rope (A) in the hole in the starter housing.



13. Pull the starter rope through the starter rope handle and make a knot at the end of the starter rope (A).

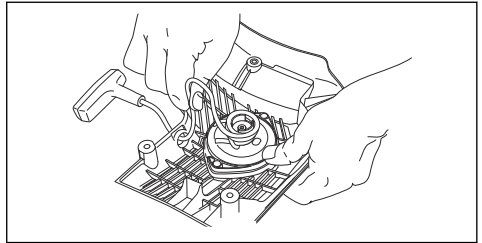


14. Attach the cover on the starter rope handle (B).

15. Adjust the tension of the recoil spring. Refer to *To adjust the tension of the recoil spring on page 28.*

To adjust the tension of the recoil spring

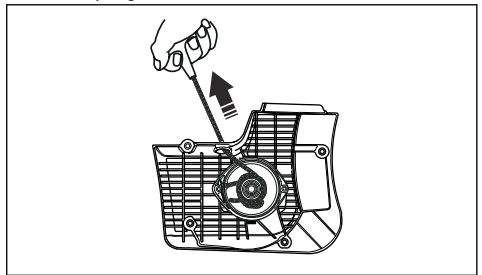
1. Put the rope through the cut-out in the starter pulley. Wind the rope 3 turns clockwise around the center of the starter pulley.



2. Pull the starter knob to adjust the tension of the recoil spring.

3. Put the rope through the cut-out in the starter pulley. Wind the rope 4 turns clockwise around the center of the starter pulley.

4. Pull the starter knob to adjust the tension of the recoil spring.



Note: The starter knob moves into position after the tension is adjusted.

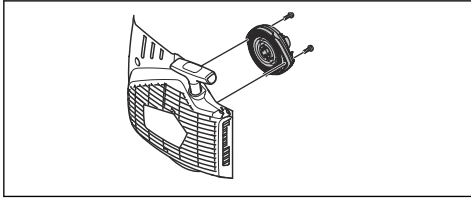
- Pull out the starter rope fully and make sure that the recoil spring is not at its end position. Make the starter pulley turn slow with your thumb.
- Make sure that the starter pulley can be turned half a turn or more before the recoil spring stops the movements.

To remove the spring assembly



WARNING: Always use eye protection when you remove the spring assembly. There is a risk for eye injury, especially if a spring is broken.

- Remove the 2 screws on the spring assembly.



- Push the 2 brackets on the snap locks with a screwdriver.

To clean the spring assembly



CAUTION: Do not remove the spring from the assembly.

- Blow the spring with compressed air until it is clean.
- Apply a light oil to the spring.

To attach the spring assembly

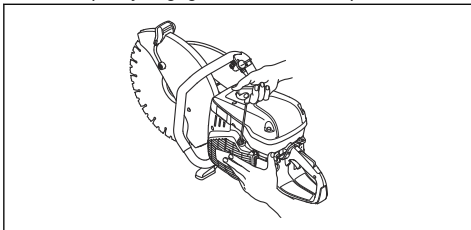
- Assemble in the opposite sequence of *To remove the spring assembly on page 29*.

To install the starter housing



CAUTION: The starter pawls must come into the correct position against the starter pulley sleeve.

- Put the starter housing against the product.
- Pull out and release the starter rope slowly until the starter pulley engages with the starter pawls.



- Tighten the 4 screws on the starter housing.

To examine the carburetor

Note: The carburetor has rigid needles to make sure that the product always receives the correct mixture of fuel and air.

- Examine the air filter. Refer to *To do the servicing of the air filter on page 30*
- If it is necessary, replace the air filter.
- If the engine continues to decrease in power or speed, speak to your Husqvarna servicing dealer.

To examine the fuel system

- Make sure that the fuel tank cap and its seal are not damaged.
- Examine the fuel hose. Replace the fuel hose if it is damaged.

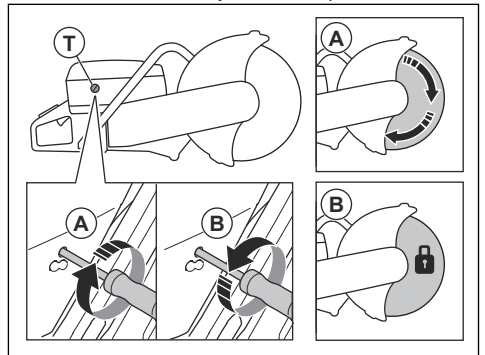
To adjust the idle speed



WARNING: If the cutting blade rotates at idle speed, speak to your servicing dealer. Do not use the product until the idle speed is correctly adjusted or repaired.

Note: For recommended idle speed refer to *Technical data on page 32*.

- Start the engine.
- Examine the idle speed. When the carburetor is correctly adjusted, the cutting blade stops when the engine is at idle speed.
- Use the T screw to adjust the idle speed.



- Turn the screw clockwise until the blade starts to rotate (A).
- Turn the screw counterclockwise until the blade stops to rotate (B).

Fuel filter

The fuel filter is installed in the fuel tank. The fuel filter prevents contamination of the fuel tank when the fuel tank is filled. The fuel filter must be replaced yearly or more frequently if it is clogged.



CAUTION: Do not clean the fuel filter.

To do the servicing of the air filter



CAUTION: Be careful when you remove the air filter. Particles that fall into the carburetor inlet can cause damage.



CAUTION: Do not clean the air filter. The air filter is made of paper and is easily damaged.

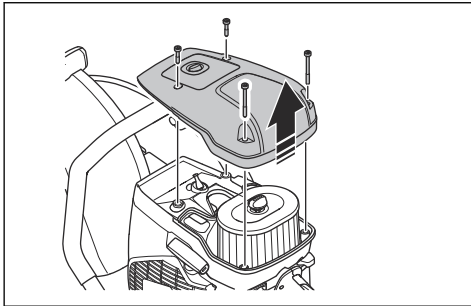


WARNING: Use approved respiratory protection when you replace the air filter. The dust in the air filter is dangerous to your health. Discard used air filters correctly.

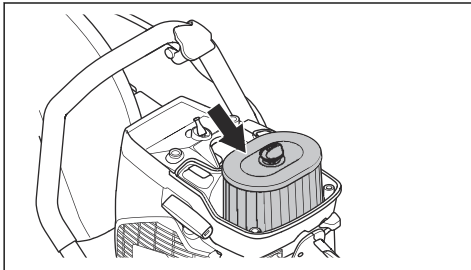
Note: Replace the air filter only when it is damaged.

Examine the air filter if the engine power decreases.

1. Loosen the 4 screws on the air filter cover.
2. Remove the air filter cover.

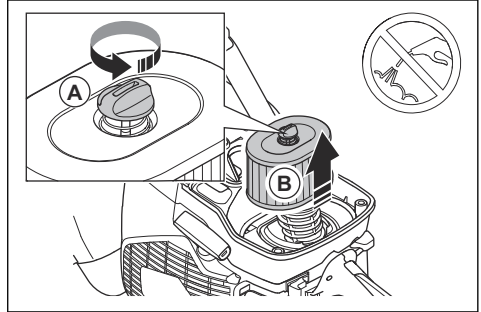


3. Examine the air filter.



4. Replace a damaged air filter.

- a) Loosen the screw (A) and remove the air filter (B).

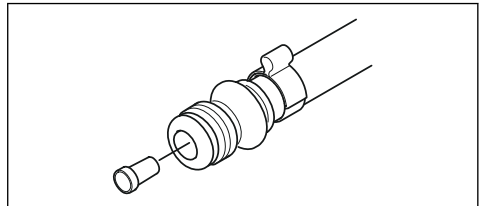


- b) Install the air filter.

5. Put back the air filter cover in its location.
6. Tighten the 4 screws.

To do a check of the water supply system

1. Examine the nozzles on the blade guard and make sure that they are not clogged.
2. Clean as necessary.
3. Examine the filter on the water connector. Make sure that it is not clogged.
4. Clean as necessary.



Troubleshooting

Problem	Cause	Possible solutions
The product does not start.	The start procedure is done incorrectly.	Refer to <i>To start the product with a cold engine on page 22</i> and <i>To start the product with a warm engine on page 23</i> .
	The stop switch in the right (STOP) position.	Make sure that the stop switch (STOP) is in the left position.
	There is no fuel in the fuel tank.	Fill with fuel.
	The spark plug is defective.	Replace the spark plug.
	The clutch is defective.	Speak to your service agent.
The cutting blade rotates at idle speed.	The idle speed is too high.	Adjust the idle speed.
	The clutch is defective.	Speak to your service agent.
The cutting blade does not rotate when the operator throttles up.	The belt is too loose or defective.	Tighten the belt or replace the belt with a new one.
	The clutch is defective.	Speak to your service agent.
	The cutting blade is installed incorrectly.	Make sure that the cutting blade is correctly installed.
The product has no power when the operator tries to throttle up.	The air filter is clogged.	Examine the air filter. If it is necessary, replace it.
	The fuel filter is clogged.	Replace the fuel filter.
	The fuel tank flow is blocked.	Speak to your service agent.
The vibration levels are too high.	The cutting blade is installed incorrectly.	Make sure that the cutting blade is correctly installed and that it is not damaged. Refer to <i>To install the cutting blade on page 15</i> .
	The cutting blade is defective.	Replace the cutting blade and make sure that it is not damaged.
	A vibration damping unit is defective.	Speak to your service agent.
The temperature of the product is too high.	The air intake or the cylinder flanges are blocked.	Clean the air intake and the cylinder flanges.
	The drive belt tension is not sufficient.	Examine the belt. Adjust the tension.
	The clutch is defective.	Always cut at full throttle.
Examine the clutch. Speak to your service agent.		
The engine decreases in power or in speed.	The air filter is clogged.	Examine the air filter. Refer to <i>To do the servicing of the air filter on page 30</i> .
There is much dust during operation. You can see dust in the air.	The water supply or water pressure is not sufficient.	Do a check of the water supply to the product.
		Refer to <i>To do a check of the water supply system on page 30</i> .

Problem	Cause	Possible solutions
The SmartGuard does not move freely.	The moving parts of the SmartGuard are clogged.	Clean the moving parts.
The SmartGuard does not retract when the product is removed away from the work piece.	The springs of the SmartGuard does not operate correctly.	Do a check of the springs. Clean the springs.

Transportation, storage and disposal

Transportation and storage

- Safely attach the product during transportation to prevent damage and accidents.
- Remove the cutting blade before transportation or storage of the product.
- Keep the product in a locked area to prevent access for children or persons that are not approved.
- Keep the cutting blades in dry, frost free conditions.
- Examine all new and used blades for transport and storage damage before assembly.
- Clean and maintain the product before storage. Refer to *Maintenance schedule on page 25*.

- Remove the fuel from the fuel tank before long-term storage.

Disposal

- Obey the local recycling requirements and applicable regulations.
- Discard all chemicals, such as oil or fuel, at a service center or at an applicable disposal location.
- When the product is no longer in use, send it to a Husqvarna dealer or discard it at a recycling location.

Technical data

Technical data

	K 970 III, K 970 III Rescue	K 970 SmartGuard
Cylinder displacement, cm ³ /cu.in.	93.6/5.7	93.6/5.7
Cylinder bore, mm/in.	56 /2.2	56 /2.2
Travel length, mm/in.	38/1.5	38/1.5
Idle speed, rpm	2700	2700
Fully opened throttle, no load, rpm	9300 (+/- 150)	9300 (+/- 150)
Power, kW/hp @rpm	4.8 /6.5 @9000	4.8 /6.5 @9000
Spark plug	NGK BPMR 7A	NGK BPMR 7A
Electrode gap, mm/in.	0.5/0.02	0.5/0.02
Fuel tank capacity, liters/US fl oz	1/33.8	1/33.8
Recommended water pressure, bar/PSI	0.5-10/7-150	0.5-10/7-150
Weight		
Power cutter without fuel and cutting blade 350mm (14in.), kg/lb*	11.0/24.3	11.9/26.2
*Rescue carry strap, additional 0.4kg/0.9lb.		
Power cutter without fuel and cutting blade 400mm (16in.) kg/lb	11.6/24.6	N/A

	K 970 III, K 970 III Res-cue	K 970 SmartGuard
Spindle, output shaft		
Max. spindle speed with cutting blade 350mm (14in.), rpm	4700	4700
Max. spindle speed with cutting blade 400mm (16in.), rpm	4300	N/A
Max. peripheral speed, m/s or ft/min	90 or 18000	90 or 18000
Noise emissions		
Sound power level, measured dB (A)	114	114
Sound power level, guaranteed L_{WA} dB (A) ¹	115	115
Equivalent sound pressure level at the ear of the operator, dB (A) ²	104	104
Equivalent vibration levels, a_{Hveq}³		
Front/ rear handle 350mm (14in.), m/s^2	3.8/4.2	4.5/3.7
Front/ rear handle 400mm (16in.), m/s^2	3.5/4.0	N/A

Recommended cutting blade dimensions

Cutting blade diameter, mm/in.	Max. cutting depth, mm/in.	Blade speed rating, rpm	Blade speed rating, m/s or ft/min	Blade center hole diameter, mm/in.	Max. blade thickness, mm/in.
350/14	125/5	5500	100 or 19600	25.4/1 or 20/0.79	5/0.2
400/16	155/6	4775	100 or 19600	25.4/1 or 20/0.79	5/0.2

Noise and vibration declaration statement

These declared values were obtained by laboratory type testing in accordance with the stated directive or standards and are suitable for comparison with the declared values of other products tested in accordance with the same directive or standards. These declared

values are not suitable for use in risk assessments and values measured in individual work places may be higher. The actual exposure values and risk of harm experienced by an individual user are unique and depend upon the way the user works, in what material the product is used, as well as upon the exposure time and the physical condition of the user, and the condition of the product.

Accessories

Sensor for Husqvarna Fleet Services™

This product is compatible with the Husqvarna Fleet machine sensor. The product can then be connected to Husqvarna Fleet Services™, which is a cloud solution

that gives the commercial fleet manager an overview of all products. For more information about Husqvarna Fleet Services™, refer to www.husqvarna.com.

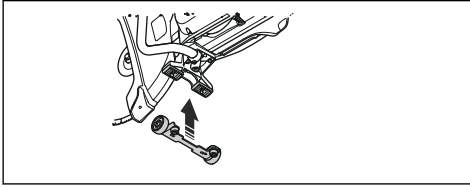
¹ Noise emissions in the environment are measured as sound power (L_{WA}) in conformity with directive 2000/14/EC. The difference between guaranteed and measured sound power is that the guaranteed sound power includes dispersion in the measured result and variations between different units of the same product according to directive 2000/14/EC.

² Equivalent sound pressure level, according to EN ISO 19432, is calculated as the time-weighted energy total for different sound pressure levels in various working conditions. Reported data for equivalent sound pressure level for the product has a typical statistical dispersion (standard deviation) of 1 dB (A).

³ Equivalent vibration level, according to EN ISO 19432, is calculated as the time-weighted energy total for vibration levels in different work conditions. Reported data for equivalent vibration level has a typical statistical dispersion (standard deviation) of $1m/s^2$.

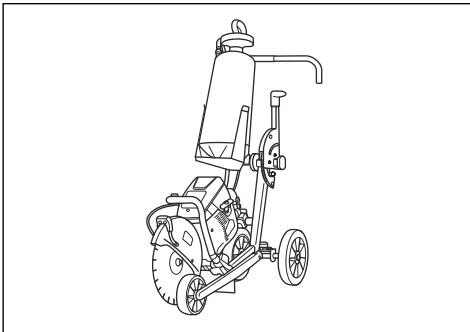
Wheel kit

The wheel kit is attached at the bottom of the product.



Cutting trolley

A cutting trolley makes it easier to cut in floors and roads, especially long cuts at a set depth. Quick connections make it easy to install the product on the cutting trolley.



EC Declaration of Conformity

EC Declaration of Conformity

We, **Husqvarna AB**, SE-561 82 Huskvarna, Sweden, tel: +46-36-146500, declare on our sole responsibility that the product:

Description	Portable cut-off machine
Brand	Husqvarna
Type/Model	K 970 III, K 970 III Rescue, K 970 SmartGuard
Identification	Serial numbers dating from 2020 and onwards

complies fully with the following EU directives and regulations:

Directive/Regulation	Description
2006/42/EC	"relating to machinery"
2000/14/EC	"relating to outdoor noise"
2014/30/EU	"relating to electromagnetic compatibility"
2011/65/EU	"relating to restrictions of hazardous substances"

and that the following harmonized standards and/or technical specifications are applied;

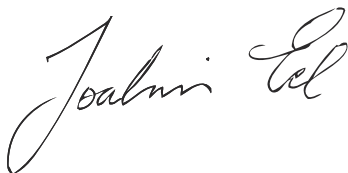
EN ISO 12100:2010, EN ISO 19432:2012, EN ISO 19432-1:2020

EN 55012:2008+A1:2009, EN ISO 14982:2009

RISE SMP Svensk Maskinprovning AB, Box 7035, SE-750 07 Uppsala, Sweden, has carried out voluntary type examination in accordance with the machinery directive's (2006/42/EC). Certificate number: SEC/10/2286

Notified Body: 0404, RISE SMP Svensk Maskinprovning AB, Box 7035, SE-750 07 Uppsala, Sweden, has certified conformity with the council's directive 2000/14/EC, Annex V. Certificate number: 01/169/036. For information relating to noise emissions, see the Technical data chapter.

Partille, 2020-04-14



Joakim Ed

Vice President, Concrete Sawing, Drilling & Light Demolition

Husqvarna AB, Construction Division

Responsible for technical documentation

Inhalt

Einleitung.....	36	Fehlerbehebung.....	68
Sicherheit.....	40	Transport, Lagerung und Entsorgung.....	69
Montage.....	46	Technische Angaben.....	69
Betrieb.....	52	Zubehör.....	71
Wartung.....	61	EU-Konformitätserklärung.....	72

Einleitung

Gerätebeschreibung

Bei diesen Trennschleifern Husqvarna, K 970 III, K 970 III Rescue und K 970 SmartGuard handelt es sich um tragbare Handtrennschleifer, die von 2-Takt-Verbrennungsmotoren angetrieben werden.

Verwendungszweck

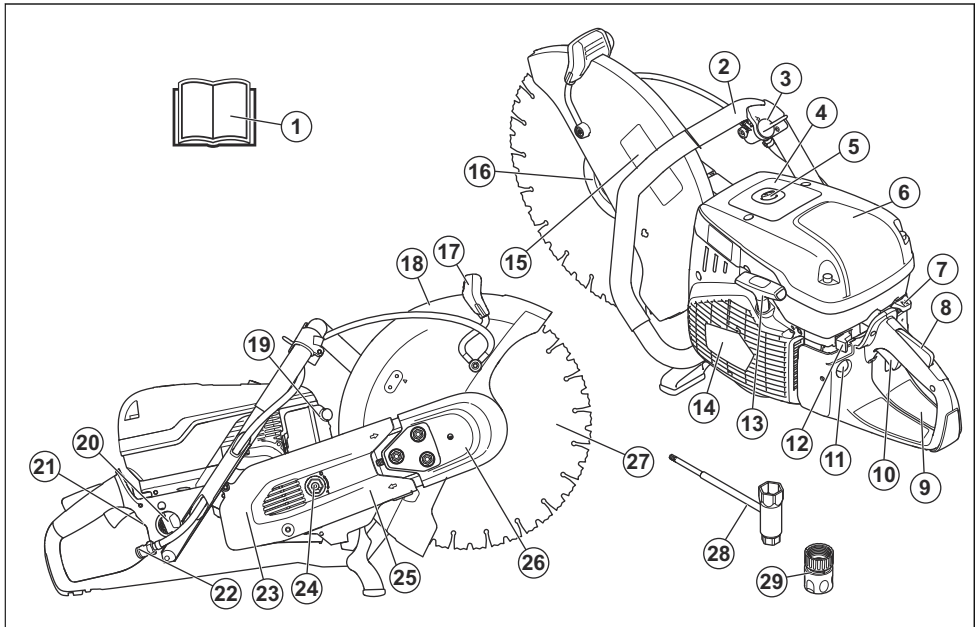
Das Gerät wird zum Schneiden harter Materialien wie Beton, Mauerwerk, Stein und Stahl verwendet. Verwenden Sie das Gerät nicht für andere Aufgaben.

Das Gerät darf nur von professionellen Bedienern eingesetzt werden.

Wir arbeiten laufend daran, Ihre Sicherheit und die Effektivität während des Betriebs zu verbessern. Ihr Servicehändler steht Ihnen gerne für weitere Informationen zur Verfügung.

Hinweis: Die Nutzung dieses Geräts ist möglicherweise durch nationale/örtliche Bestimmungen eingeschränkt.

Geräteübersicht K 970 III

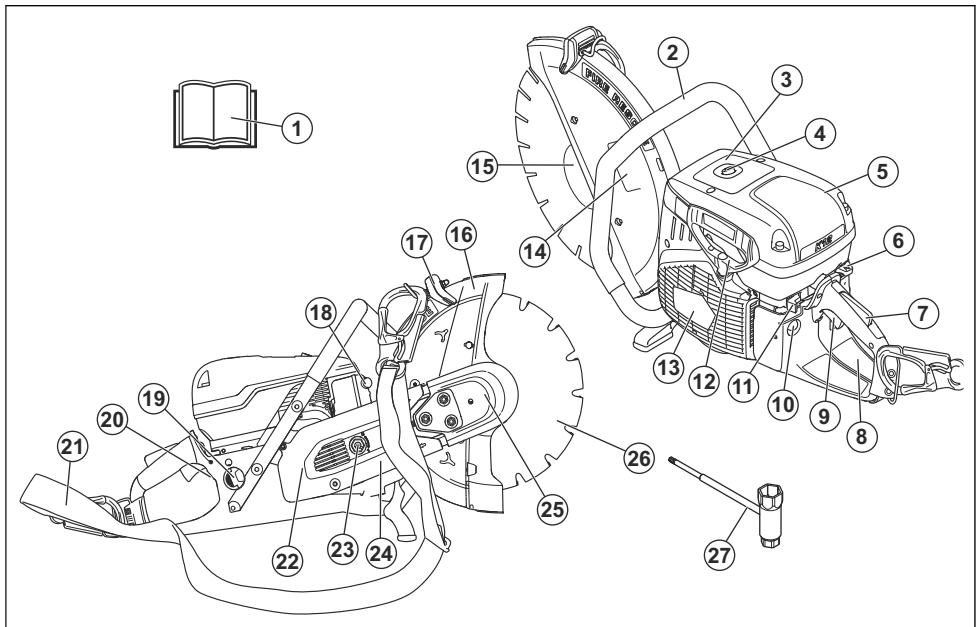


1. Betriebsanleitung
2. Vorderer Handgriff
3. Wasserventil
4. Informations- und Warnschild

5. Dekompressionsventil
6. Luftfilterdeckel
7. Choke-Hebel
8. Gashebelsperre

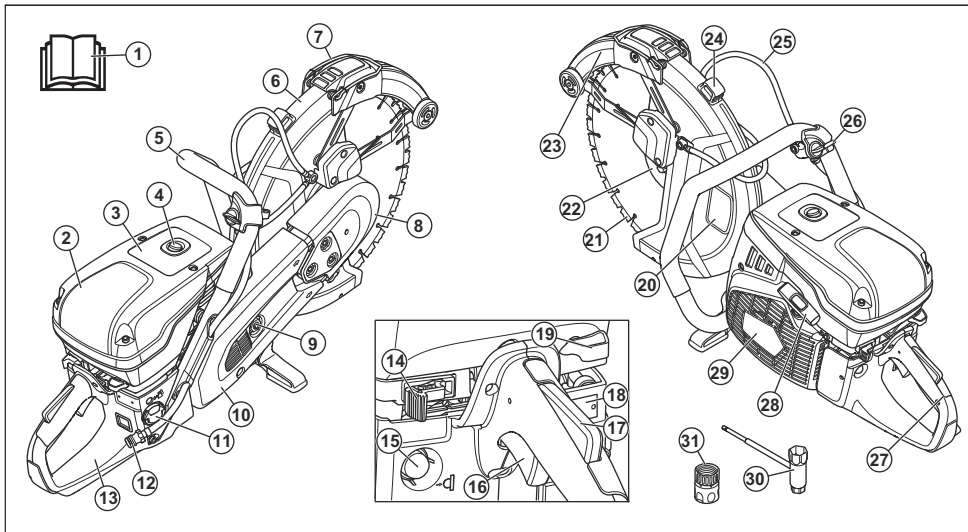
9. Aufkleber mit Start-Anweisungen
10. Gashebel
11. Kraftstoffpumpe
12. Stopp-Schalter
13. Startseilhandgriff
14. Startvorrichtunggehäuse
15. Aufkleber Schneidausrüstung
16. Flansch, Spindel, Trennscheibenbuchse
17. Einstellhandgriff für Trennscheibenschutz
18. Trennscheibenschutz
19. Schalldämpfer
20. Kraftstofftankdeckel
21. Typenschild
22. Wasseranschluss mit Filter
23. Riemenschutz
24. Riemenspanner
25. Trennarm
26. Schneidkopf
27. Trennscheibe (nicht im Lieferumfang enthalten)
28. Kombischlüssel
29. Wasseranschluss, GARDENA®

Geräteübersicht K 970 III Rescue



1. Betriebsanleitung
2. Vorderer Handgriff
3. Informations- und Warnaufkleber
4. Dekompressionsventil
5. Luftfilterdeckel
6. Choke-Hebel
7. Gashebelsperre
8. Aufkleber mit Start-Anweisungen
9. Gashebel
10. Kraftstoffpumpe
11. Stopp-Schalter
12. Startseilhandgriff
13. Startvorrichtunggehäuse
14. Aufkleber Schneidausrüstung
15. Flansch, Spindel, Trennscheibenbuchse
16. Trennscheibenschutz
17. Einstellhandgriff für Trennscheibenschutz
18. Schalldämpfer
19. Kraftstofftankdeckel
20. Typenschild
21. Schultergurt
22. Riemenschutz
23. Riemenspanner
24. Trennarm
25. Schneidkopf
26. Trennscheibe (nicht im Lieferumfang enthalten)
27. Kombischlüssel

Geräteübersicht K 970 SmartGuard



1. Betriebsanleitung
2. Luftfilterdeckel
3. Informations- und Warnschild
4. Dekompressionsventil
5. Vorderer Handgriff
6. Trennscheibenschutz
7. SmartGuard-Handgriff
8. Schneidkopf
9. Riemenspanner
10. Trennarm
11. Kraftstofftankdeckel
12. Wasseranschluss mit Filter
13. Aufkleber mit Start-Anweisungen
14. Stopp-Schalter
15. Kraftstoffpumpenblase
16. Gashebel
17. Gashebelsperre
18. Typenschild
19. Choke-Hebel
20. Aufkleber Schneidausrüstung
21. Trennscheibe (nicht im Lieferumfang enthalten)
22. Flansch, Spindel, Trennscheibenbuchse
23. SmartGuard
24. Einstellhandgriff für Trennscheibenschutz
25. Wasserschlauch
26. Wasserventil
27. Hinterer Griff
28. Startseilhandgriff
29. Startvorrichtunggehäuse

30. Kombischlüssel
31. Wasseranschluss GARDENA®

Symbole auf dem Gerät



WARNUNG: Dieses Gerät kann gefährlich sein und schwere oder tödliche Verletzungen des Bedieners oder anderer Personen verursachen. Gehen Sie vorsichtig vor, und verwenden Sie das Gerät ordnungsgemäß.



Lesen Sie die Bedienungsanleitung, und machen Sie sich mit den Anweisungen vertraut, bevor Sie das Gerät verwenden.



Tragen Sie einen zugelassenen Schutzhelm, Gehörschutz, Augenschutz und Atemschutz. Siehe *Persönliche Schutzausrüstung* auf Seite 42.



Dieses Gerät stimmt mit den geltenden EG-Richtlinien überein.



Beim Trennen entsteht Staub. Dieser Staub kann bei Einatmen Verletzungen verursachen. Tragen Sie einen zugelassenen Atemschutz. Atmen Sie die Abgase nicht ein. Sorgen Sie immer für gute Belüftung.



WARNUNG! Rückschläge können plötzlich, schnell und sehr heftig sein und lebensbedrohliche Verletzungen hervorrufen. Lesen Sie und machen Sie sich mit dem Inhalt der Anleitung vertraut, bevor Sie das Gerät benutzen. Siehe *Rückschlag auf Seite 52*.



Funken von der Trennscheibe können einen Brand in Kraftstoff, Holz, Kleidung, trockenem Gras oder anderen brennbaren Materialien verursachen.



Stellen Sie sicher, dass die Trennscheibe keine Risse oder anderen Beschädigungen aufweist.



Verwenden Sie keine kreisrunden Sägeklingen.



Choke



Kraftstoffpumpe



Dekompressionsventil



Startseilhandgriff

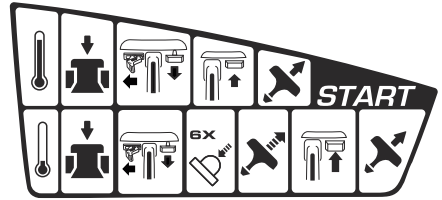


Verwenden Sie eine Kraftstoffmischung aus Benzin und Öl.



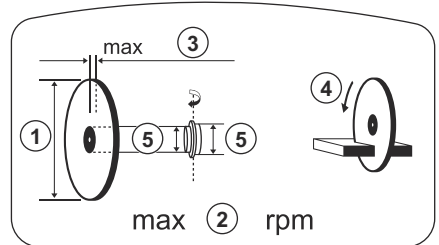
Umweltbelastende Geräuschemissionen entsprechen den maßgeblichen EG-Richtlinien. Die Geräuschemission des Geräts ist in *Persönliche Schutzausrüstung auf Seite 42* und auf dem Etikett angegeben.

Aufkleber mit Start-Anweisungen



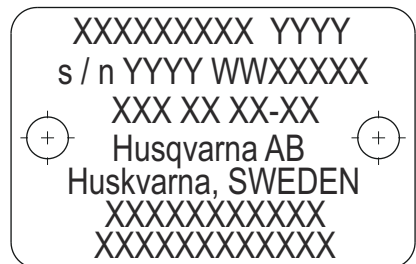
Eine Anleitung finden Sie unter *So starten Sie das Gerät bei kaltem Motor auf Seite 58* und unter *So starten Sie das Gerät bei warmem Motor auf Seite 59*.

Aufkleber Schneidausrüstung



1. Trennscheibendurchmesser
2. Max. Drehzahl der Abtriebswelle
3. Max. Trennscheibendicke
4. Rotationsrichtung
5. Buchsendimension

Typenschild



Reihe 1: Marke, Modell (X, Y)

Reihe 2: Seriennr. mit Herstellungsdatum (Y, W, X): Jahr, Woche, Folgnr.

Reihe 3: Produktnr. (X)

Reihe 4: Hersteller

Reihe 5: Herstelleradresse

Hinweis: Andere Symbole/Aufkleber am Gerät beziehen sich auf spezielle Zertifizierungsanforderungen, die in bestimmten Ländern gelten.

Emissionen nach Euro V



WARNUNG: Bei jeglichen Manipulationen des Motors erlischt die EU-Typgenehmigung für dieses Produkt.

Produkthaftung

Im Sinne der Produkthaftungsgesetze übernehmen wir keine Haftung für Schäden, die unser Gerät verursacht, wenn...

- das Gerät nicht ordnungsgemäß repariert wird.
- das Gerät mit Teilen repariert wird, die nicht vom Hersteller stammen oder nicht vom Hersteller zugelassen sind.
- ein Zubehörteil mit dem Gerät verwendet wird, das nicht vom Hersteller stammt oder nicht vom Hersteller zugelassen ist.
- das Gerät nicht bei einem zugelassenen Service Center oder von einem zugelassenen Fachmann repariert wird.

Sicherheit

Sicherheitsdefinitionen

Warnungen, Vorsichtsmaßnahmen und Hinweise werden verwendet, um auf besonders wichtige Teile der Bedienungsanleitung hinzuweisen.



WARNUNG: Wird verwendet, wenn bei Nichtbeachtung der Anweisungen in diesem Handbuch die Gefahr von Verletzung oder Tod des Bedieners oder anderer Personen besteht.



ACHTUNG: Wird verwendet, wenn bei Nichtbeachtung der Anweisungen in diesem Handbuch die Gefahr von Schäden am Gerät, an anderen Materialien oder in der Umgebung besteht.

Hinweis: Für weitere Informationen, die in bestimmten Situationen nötig sind.

Allgemeine Sicherheitshinweise



WARNUNG: Lesen Sie die folgenden Warnhinweise, bevor Sie das Gerät verwenden.

- Ein unsachgemäß oder nachlässig eingesetzter Trennschleifer kann zu einem gefährlichen Gerät werden und zu schweren oder gar lebensgefährlichen Verletzungen führen. Es ist deshalb von größter Wichtigkeit, dass diese Bedienungsanleitung aufmerksam durchgelesen und verstanden wird. Außerdem wird vor der erstmaligen Benutzung des Geräts eine praktische Einweisung empfohlen.
- Nehmen Sie keine Modifikationen am Gerät vor. Änderungen am Gerät, die vom Hersteller nicht genehmigt wurden, können zu schweren Verletzungen oder zum Tod führen.

- Bedienen Sie das Gerät nicht, wenn die Möglichkeit besteht, dass andere Personen Modifikationen daran durchgeführt haben.
- Verwenden Sie immer Originalersatzteile und Originalzubehör. Zubehör und Ersatzteile, die vom Hersteller nicht genehmigt wurden, können zu schweren Verletzungen oder zum Tod führen.
- Halten Sie das Gerät sauber. Stellen Sie sicher, dass Symbole und Aufkleber deutlich lesbar sind.
- Lassen Sie niemals Kinder oder nicht ausgebildete Personen das Gerät bedienen.
- Untersagen Sie allen Personen die Benutzung des Geräts, bis diese den Inhalt der Bedienungsanleitung gelesen und verstanden haben.
- Es dürfen nur zugelassene Personen mit dem Gerät arbeiten.
- Dieses Gerät erzeugt beim Betrieb ein elektromagnetisches Feld. Dieses Feld kann sich unter bestimmten Bedingungen auf die Funktionsweise aktiver oder passiver medizinischer Implantate auswirken. Um die Gefahr von Situationen, die zu schweren oder tödlichen Verletzungen führen können, zu verringern, sollten Personen mit einem medizinischen Implantat vor der Nutzung dieses Gerätes mit ihrem Arzt und dem Hersteller des Implantats sprechen.
- Die Informationen in dieser Bedienungsanleitung ersetzen auf keinen Fall professionelle Fähigkeiten und Erfahrungen. Wenn Sie in eine Situation geraten, in der Sie unsicher sind, sollten Sie einen Fachmann um Rat fragen. Wenden Sie sich an Ihren Servicehändler. Vermeiden Sie jede Arbeit, für die Sie nicht ausreichend qualifiziert sind!

Sicherheitshinweise für den Betrieb



WARNUNG: Lesen Sie die folgenden Warnhinweise, bevor Sie das Gerät benutzen.

- Vor der Benutzung des Trennschleifers müssen Sie wissen, was ein Rückschlag ist, und wie er

vermieden werden kann. Siehe *Rückschlag auf Seite 52*.

- Führen Sie alle Sicherheitskontrollen, Wartungen und Servicemaßnahmen durch, die in dieser Betriebsanleitung angegeben sind. Einige Wartungs- und Servicemaßnahmen müssen von einer zugelassenen Servicewerkstatt durchgeführt werden. Siehe *Einleitung auf Seite 61*.
- Verwenden Sie das Gerät nicht, wenn es defekt ist.
- Verwenden Sie das Gerät nicht, wenn Sie müde oder krank sind oder unter Einfluss von Alkohol, Drogen oder Medikamenten stehen. Diese Zustände können Ihre Sehkraft, Aufmerksamkeit, Körperkontrolle oder Ihr Urteilsvermögen beeinträchtigen.
- Starten Sie das Gerät nur mit installiertem Riemen und Riemenschutz. Die Kupplung kann sich lockern und Verletzungen verursachen.
- Von der Trennscheibe erzeugte Funken können brennbare Materialien wie z. B. Benzin, Gas, Holz, Kleidung und trockenes Gras entzünden.
- Schneiden Sie kein asbesthaltiges Material.

Sicherheit im Arbeitsbereich



WARNUNG: Lesen Sie die folgenden Warnhinweise, bevor Sie das Gerät benutzen.

- Der Sicherheitsabstand für den Trennschleifer beträgt 15 m/50 ft. Stellen Sie sicher, dass sich keine Tiere und Umstehende im Arbeitsbereich aufhalten.
- Verwenden Sie das Gerät erst, wenn der Arbeitsbereich frei ist und Ihre Füße und Ihr Körper in einer stabilen Position sind.
- Achten Sie auf Personen, Gegenstände und Situationen, die einen sicheren Betrieb des Geräts verhindern könnten.
- Stellen Sie sicher, dass keine Personen oder Gegenstände mit der Schneidaurausrüstung in Berührung kommen oder von Teilen getroffen werden können, die von der Trennscheibe umherschleudert werden.
- Verwenden Sie das Gerät nicht bei Nebel, Regen, starkem Wind, kaltem Wetter, Gewittergefahr oder anderen schlechten Wetterbedingungen. Die Verwendung des Geräts bei schlechtem Wetter kann einen negativen Einfluss auf Ihre Aufmerksamkeit haben. Schlechtes Wetter kann gefährliche Arbeitsbedingungen wie rutschige Oberflächen verursachen.
- Stellen Sie während der Verwendung des Geräts sicher, dass sich kein Material löst und herunterfällt und der Bediener verletzt wird.
- Seien Sie sehr vorsichtig, wenn Sie das Gerät an einem Hang einsetzen.
- Halten Sie den Arbeitsbereich sauber und hell.

- Bevor Sie das Gerät in Betrieb nehmen, überprüfen Sie, ob im Arbeitsbereich versteckte Gefahren wie elektrische Kabel, Wasser- und Gasleitungen und brennbare Substanzen vorhanden sind. Wenn das Gerät auf ein verborgenes Objekt trifft, halten Sie den Motor sofort an, und prüfen Sie Gerät und Objekt. Nehmen Sie das Gerät erst wieder in Betrieb, nachdem Sie sich vergewissert haben, dass der weitere Betrieb sicher ist.
- Stellen Sie vor dem Schneiden in ein Fass, ein Rohr oder einen anderen Behälter sicher, dass dieser keine entflammenden oder anderen Stoffe enthält, die Feuer oder Explosionen verursachen können.

Schutz vor Vibrationen



WARNUNG: Lesen Sie die folgenden Warnhinweise, bevor Sie das Produkt benutzen.

- Beim Betrieb des Geräts kommt es zu Vibrationen, die vom Gerät auf den Anwender übertragen werden. Regelmäßiger und häufiger Betrieb des Geräts kann zu Verletzungen des Anwenders führen oder Symptome verstärken. Es kann zu Verletzungen an Fingern, Händen, Handgelenken, Armen, Schultern und/oder Nerven sowie bei der Blutversorgung oder an anderen Körperteilen kommen. Die Verletzungen können hinderlich und/oder chronisch werden und sich allmählich über Wochen, Monate oder Jahre hinweg verstärken. Zu möglichen Verletzungen können Schäden am Blutkreislauf, am Nervensystem, an Gelenken und anderen Körperteilen gehören.
- Symptome können während des Betriebs des Geräts oder zu einem anderen Zeitpunkt auftreten. Wenn Sie bereits Symptome haben und das Gerät weiter bedienen, können sich die Symptome verstärken oder chronisch werden. Wenn Sie diese oder andere Symptome an sich bemerken, wenden Sie sich an einen Arzt:
 - Taubheit, Gefühlsverlust, Kribbeln, Stechen, Schmerz, Brennen, Pochen, Steifheit, Schwerfälligkeit, Verlust von Kraft, Veränderungen an Hautfarbe oder Hautzustand.
- Bei niedrigen Temperaturen können sich die Symptome verstärken. Tragen Sie warme Kleidung, und halten Sie Ihre Hände warm und trocken, wenn Sie das Gerät in kalten Umgebungen betreiben.
- Warten und betreiben Sie das Gerät gemäß den Anweisungen der Bedienungsanleitung, um einen vorschriftsmäßigen Vibrationspegel sicherzustellen.
- Das Gerät verfügt über ein Antivibrationssystem, das die Vibrationen an den Griffen für den Bediener reduziert. Lassen Sie das Gerät die Arbeit verrichten. Drücken Sie das Gerät nicht mit Kraft. Halten Sie das Produkt leicht an den Griffen fest, aber stellen Sie sicher, dass Sie es kontrollieren und sicher bedienen. Drücken Sie das Gerät nicht häufiger als nötig in die Endanschläge.

- Platzieren Sie Ihre Hände nur auf dem Griff bzw. den Griffen. Halten Sie alle anderen Körperteile vom Gerät fern.
- Stoppen Sie das Gerät sofort, wenn plötzlich starke Vibrationen auftreten. Setzen Sie den Betrieb erst fort, wenn die Ursache für die gesteigerten Vibrationen beseitigt wurde.
- Das Schneiden von Granit oder hartem Beton verursacht mehr Vibrationen im Gerät als das Schneiden von weichem Beton. Trennscheiben, die stumpf, defekt, von falschem Typ oder falsch geschärft sind, erhöhen den Vibrationspegel.
- Krebs
- Angeborene Fehlbildungen
- Hautentzündung
- Verwenden Sie eine angemessene Ausstattung, um die Menge von Staub und Dämpfen in der Luft und den Staub auf Arbeitsgeräten, Oberflächen, Kleidung und Körperteilen zu verringern. Beispiele dafür sind Staubsammelanlagen und Wassernebel zum Binden des Staubs. Reduzieren Sie den Staub an der Quelle, falls möglich. Stellen Sie sicher, dass die Ausstattung korrekt montiert ist und verwendet wird und dass sie regelmäßig gewartet wird.

Abgase – Sicherheit



WARNUNG: Lesen Sie die folgenden Warnhinweise, bevor Sie das Produkt benutzen.

- Die Abgase des Motors enthalten Kohlenmonoxid – ein geruchloses, giftiges und sehr gefährliches Gas. Das Einatmen von Kohlenmonoxid kann tödlich sein. Da Kohlenmonoxid geruchs- und farblos ist, kann es nicht wahrgenommen werden. Bei einer Kohlenmonoxidvergiftung kann es zu Schwindelsymptomen kommen, aber es ist auch möglich, dass eine Person ohne Vorwarnung bewusstlos wird, wenn die Menge oder Konzentration an Kohlenmonoxid dafür hoch genug ist.
- Abgase enthalten auch unverbrannte Kohlenwasserstoffe einschließlich Benzen. Das Einatmen über einen längeren Zeitraum kann zu gesundheitlichen Problemen führen.
- Abgase, die Sie sehen oder riechen können, enthalten auch Kohlenmonoxid.
- Verwenden Sie ein Gerät mit Verbrennungsmotor nicht in Innenräumen oder in Bereichen ohne ausreichende Luftzufuhr.
- Atmen Sie die Abgase nicht ein.
- Stellen Sie sicher, dass der Arbeitsbereich ausreichend belüftet ist. Das ist besonders wichtig, wenn Sie das Gerät in Gräben oder anderen engen Arbeitsbereichen verwenden, wo sich Abgase leicht sammeln können.

Staubtechnische Sicherheit



WARNUNG: Lesen Sie die folgenden Warnhinweise, bevor Sie das Gerät verwenden.

- Der Betrieb des Geräts kann Staub in der Luft verursachen. Staub kann ernsthafte Verletzungen und permanente Gesundheitsprobleme verursachen. Silikatstaub wurde von verschiedenen Behörden als schädlich eingestuft. Dies sind Beispiele für derartige Gesundheitsprobleme:
 - Die tödlichen Lungenerkrankungen chronische Bronchitis, Silikose und Lungenfibrose

- Tragen Sie einen zugelassenen Atemschutz. Stellen Sie sicher, dass der Atemschutz für die gefährlichen Materialien im Arbeitsbereich geeignet ist.
- Stellen Sie sicher, dass der Arbeitsbereich ausreichend belüftet ist.
- Falls möglich, richten Sie den Auspuff des Geräts dahin, wo er keinen Staub in der Luft verursachen kann.

Persönliche Schutzausrüstung



WARNUNG: Lesen Sie die folgenden Warnhinweise, bevor Sie das Gerät verwenden.

- Tragen Sie während des Betriebs immer eine zugelassene persönliche Schutzausrüstung. Die persönliche Schutzausrüstung beseitigt nicht die Unfallgefahr, begrenzt aber den Umfang der Verletzungen und Schäden. Lassen Sie sich bei der Wahl der Schutzausrüstung von einem Fachhändler beraten.
- Verwenden Sie einen zugelassenen Schutzhelm.
- Tragen Sie einen zugelassenen Gehörschutz. Eine längerfristige Beschallung mit Lärm kann zu bleibenden Gehörschäden führen. Achten Sie immer genau auf Warnsignale oder Rufe, wenn Sie den Gehörschutz tragen. Nehmen Sie den Gehörschutz immer ab, sobald der Motor abgestellt ist.
- Tragen Sie einen zugelassenen Augenschutz, um das Verletzungsrisiko durch geworfene Gegenstände zu verringern. Bei der Benutzung eines Gesichtsschutzes ist auch eine zugelassene Schutzbrille zu tragen. Zugelassene Schutzbrillen sind in diesem Falle diejenigen, die die Normen ANSI Z87.1 für die USA bzw. EN 166 für EU-Länder erfüllen. Visiere müssen der Norm EN 1731 entsprechen.
- Tragen Sie Sicherheitshandschuhe.
- Tragen Sie einen zugelassenen Atemschutz. Die Verwendung von Fräsmaschinen, Schleifmaschinen und Bohrern, die Material abschleifen oder umformen, kann Staub und Ausdünstungen verursachen, die gefährliche Chemikalien enthalten können. Überprüfen Sie die Beschaffenheit des Materials, das Sie bearbeiten wollen, und tragen Sie einen geeigneten Atemschutz.

- Tragen Sie eng anliegende, strapazierfähige und bequeme Kleidung, die volle Bewegungsfreiheit gewährt. Durch Schneiden werden Funken erzeugt, die Ihre Kleidung entzünden können. Husqvarna empfiehlt das Tragen von feuerfester Baumwolle oder schwerem Jeansstoff. Tragen Sie keine Kleidung aus Materialien wie Nylon, Polyester oder Viskose. Im Falle einer Entzündung kann dieses Material schmelzen und an der Haut kleben bleiben. Tragen Sie keine kurzen Hosen.
- Tragen Sie Stiefel mit Stahlkappe und rutschfester Sohle.
- Ein Erste-Hilfe-Set sollte immer griffbereit sein.



- Funken können vom Schalldämpfer oder der Trennscheibe kommen. Es sollte immer ein Feuerlöscher vorhanden sein.

Sicherheitsvorrichtungen am Gerät



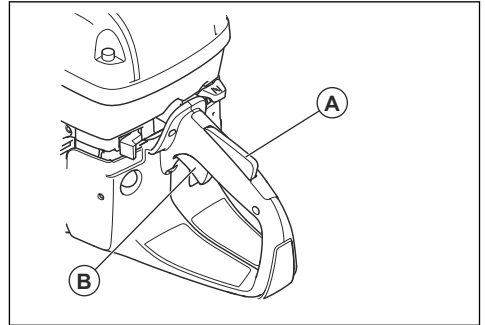
WARNUNG: Lesen Sie die folgenden Warnhinweise, bevor Sie das Gerät benutzen.

- Benutzen Sie kein Gerät mit defekten Sicherheitsvorrichtungen.
- Führen Sie regelmäßig eine Überprüfung der Sicherheitsvorrichtungen durch. Wenn die Sicherheitsvorrichtungen defekt sind, wenden Sie sich an Ihre autorisierte Husqvarna-Serviceverkstatt.
- Nehmen Sie keine Modifizierungen der Sicherheitsvorrichtungen vor.
- Verwenden Sie das Gerät nicht, wenn Schutzbleche, Schutzabdeckungen, Sicherheitsschalter oder andere Schutzvorrichtungen nicht angebracht oder defekt sind.

Gashebelsperre

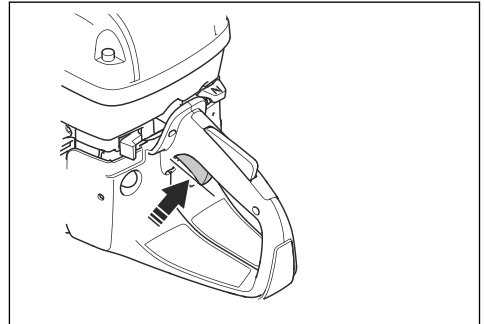
Die Gashebelsperre verhindert ein versehentliches Auslösen des Gashebels. Wenn Sie mit Ihrer Hand um den Griff fassen und die Gashebelsperre (A) betätigen, wird der Gashebel (B) freigegeben. Wenn Sie den Handgriff loslassen, werden Gashebel und Gashebelsperre wieder in ihre Ausgangsposition

zurückgestellt. Dadurch wird der Gashebel im Leerlauf gesperrt.

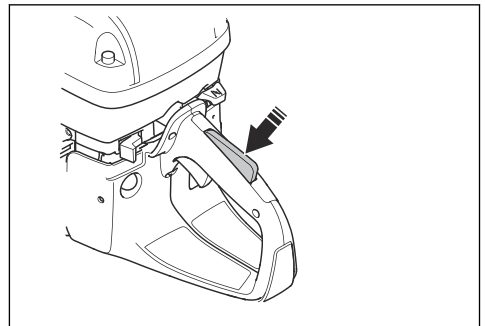


So prüfen Sie die Gashebelsperre

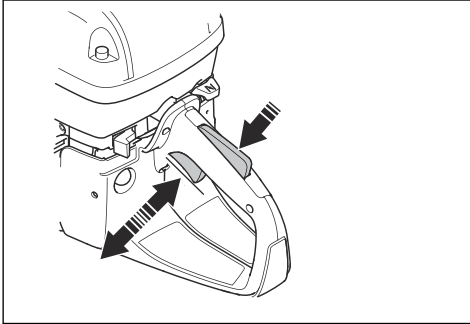
1. Stellen Sie sicher, dass der Gashebel in der Leerlaufstellung verriegelt ist, wenn die Gashebelsperre freigegeben wird.



2. Drücken Sie die Gashebelsperre, und kontrollieren Sie, ob sie beim Loslassen zurückkehrt.



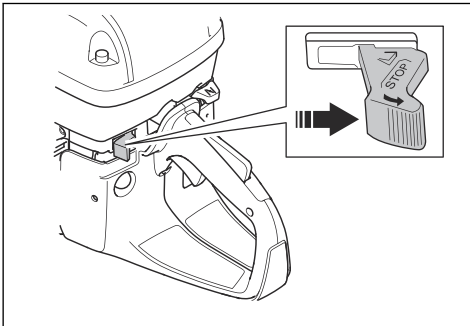
- Prüfen Sie, ob sich der Gashebel und die Gashebelsperre frei bewegen lassen und ob die Rückholfedern korrekt funktionieren.



- Starten Sie das Gerät, und lassen Sie es mit Vollgas laufen.
- Lassen Sie den Gashebel los, und vergewissern Sie sich, dass die Trennscheibe völlig zum Stillstand kommt.
- Wenn sich die Trennscheibe im Leerlauf dreht, müssen Sie die Leerlaufdrehzahl einstellen. Siehe *So stellen Sie die Leerlaufdrehzahl ein auf Seite 66*.

So prüfen Sie den Stopp-Schalter

- Starten Sie den Motor. Siehe *So starten Sie das Gerät bei kaltem Motor auf Seite 58*.
- Drücken Sie den Stopp-Schalter in die Position STOP. Der Motor muss stoppen.



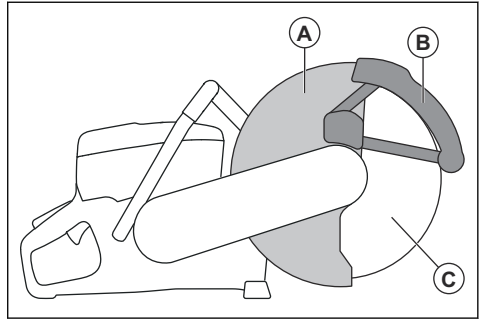
Scheibenschutz und SmartGuard (optional)



WARNUNG: Stellen Sie vor dem Starten des Geräts sicher, dass Scheibenschutz und SmartGuard korrekt befestigt sind. Verwenden Sie das Gerät nicht, wenn der Scheibenschutz oder SmartGuard fehlt, defekt ist oder Risse aufweist.

Scheibenschutz (A) und SmartGuard (B) sind über der Trennscheibe (C) installiert. Sie verhindern

Verletzungen, wenn Teile der Trennscheibe oder des geschnittenen Materials in Richtung des Bedieners geschleudert werden.



Der SmartGuard ist federbelastet und muss sich immer frei bewegen und durch Federkraft in seine Ausgangsposition zurückfahren.

Prüfen von Trennscheibe und Scheibenschutz



WARNUNG: Eine beschädigte Trennscheibe kann Verletzungen verursachen.

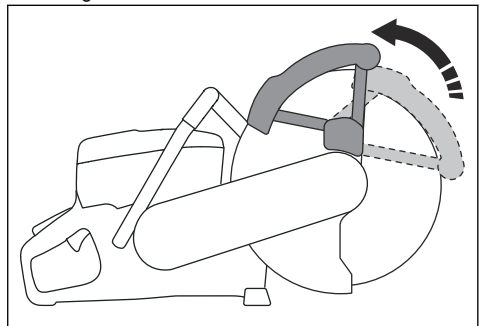
- Kontrollieren Sie, ob die Trennscheibe korrekt angebracht ist und keine Schäden aufweist.
- Stellen Sie sicher, dass der Scheibenschutz keine Schäden oder Risse aufweist.
- Ersetzen Sie den Scheibenschutz bei Beschädigung.

So prüfen Sie den SmartGuard



WARNUNG: Ein beschädigter SmartGuard kann zu Verletzungen führen.

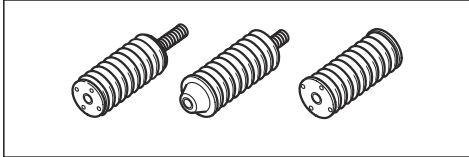
- Stellen Sie sicher, dass der SmartGuard keine Risse oder sonstigen Schäden aufweist.
- Stellen Sie sicher, dass sich der SmartGuard frei bewegt und durch Federkraft zurückfährt.



- Reinigen oder ersetzen Sie den SmartGuard, wenn er nach Druck nicht sofort zurückfährt oder beschädigt ist.

Antivibrationssystem

Das Gerät ist mit einem Antivibrationssystem ausgerüstet, das Vibrationen wirkungsvoll dämpft und so für angenehmere Arbeitsbedingungen sorgt. Das Antivibrationssystem reduziert die Übertragung von Vibrationen zwischen Motoreinheit/Schneidausrüstung und dem Handgriffsystem des Gerätes.



So prüfen Sie das Antivibrationssystem



WARNUNG: Stellen Sie sicher, dass der Motor ausgeschaltet ist und dass sich der Stoppschalter in der Stellung STOP befindet.

- Kontrollieren Sie, dass die Antivibrationseinheiten keine Risse oder Deformationen aufweisen. Ersetzen Sie die Antivibrationseinheiten, wenn sie beschädigt sind.
- Kontrollieren Sie, ob die Antivibrationseinheiten zwischen Motoreinheit und Handgriffeinheit korrekt verankert sind.

Schalldämpfer

Der Schalldämpfer senkt den Geräuschpegel so weit wie möglich und hält die Abgase des Motors vom Anwender fern.

Verwenden Sie das Gerät nicht, wenn der Schalldämpfer fehlt oder defekt ist. Ein defekter Schalldämpfer erhöht den Geräuschpegel und die Brandgefahr.



WARNUNG: Der Schalldämpfer wird während und nach Gebrauch und wenn der Motor im Leerlauf läuft, sehr heiß. Seien Sie in der Nähe von entzündlichen Materialien und/oder Dämpfen besonders vorsichtig, um Brandgefahr zu verhindern.

So prüfen Sie den Schalldämpfer

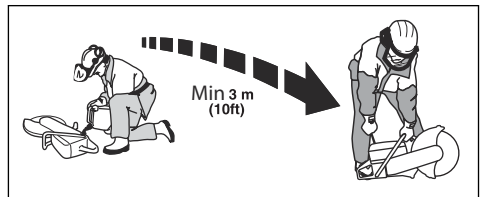
- Überprüfen Sie den Schalldämpfer regelmäßig, um sicherzustellen, dass er richtig angebracht und nicht beschädigt ist.

Sicherer Umgang mit Kraftstoff



WARNUNG: Lesen Sie die folgenden Warnhinweise, bevor Sie das Gerät benutzen.

- Kraftstoff ist feuergefährlich; durch die ausströmenden Dämpfe besteht Explosionsgefahr. Um Verletzungen, Feuer oder Explosionen zu vermeiden, seien Sie beim Umgang mit Kraftstoff vorsichtig.
- Betanken Sie das Produkt nur im Freien, wo der Luftstrom ausreicht. Atmen Sie die Kraftstoffdämpfe nicht ein. Die Kraftstoffdämpfe sind giftig und können Verletzungen, Feuer und Explosionen verursachen.
- Entfernen Sie nicht den Tankdeckel oder füllen den Kraftstofftank, wenn der Motor eingeschaltet ist.
- Lassen Sie den Motor vor dem Auftanken abkühlen.
- Rauchen Sie nicht in der Nähe des Kraftstoffs oder des Motors.
- Stellen Sie keine heißen Gegenstände in der Nähe des Kraftstoffs oder des Motors ab.
- Füllen Sie Kraftstoff nicht in der Nähe von Funken oder Feuer ein.
- Öffnen Sie vor dem Nachfüllen den Tankdeckel langsam, und lassen Sie den Druck vorsichtig entweichen.
- Kraftstoff auf der Haut kann Verletzungen verursachen. Wenn Kraftstoff auf Ihre Haut gelangt, waschen Sie diesen mit Wasser und Seife ab.
- Wechseln Sie sofort die Kleidung, wenn Sie Kraftstoff darauf verschütten.
- Schrauben Sie den Kraftstofftankdeckel fest zu. Wenn der Kraftstofftankdeckel nicht richtig und fest verschlossen ist, können Vibrationen im Gerät diesen lösen und ein Austreten von Kraftstoff und Kraftstoffdämpfen verursachen. Kraftstoff und Kraftstoffdämpfe stellen eine Brandgefahr dar.
- Bevor Sie das Gerät starten, entfernen Sie es mindestens 3 m/10 ft. vom Auffüllort.



- Starten Sie das Gerät nicht, wenn Kraftstoff oder Öl darauf verschüttet wurde. Entfernen Sie Kraftstoff oder Öl an unerwünschten Stellen vom Gerät, und lassen Sie das Gerät trocknen, bevor Sie den Motor starten.
- Überprüfen Sie den Motor regelmäßig auf Undichtigkeiten. Starten Sie den Motor bei einer Leckage im Kraftstoffsystem nicht, bis die Undichtigkeiten repariert werden.

- Bewahren Sie Kraftstoff nur in zugelassenen Behältern auf.
- Wenn Sie das Gerät und den Kraftstoff lagern, stellen Sie sicher, dass Kraftstoff und Kraftstoffdämpfe keinen Schaden, Feuer oder Explosionen verursachen können.
- Lassen Sie den Kraftstoff im Freien und abseits von Feuer und Funken in einen für Kraftstoff zugelassenen Behälter ab.

- Tragen Sie eine persönliche Schutzausrüstung. Siehe *Persönliche Schutzausrüstung auf Seite 42*.
- Wenn die Wartung nicht ordnungsgemäß und regelmäßig erfolgt, erhöht sich die Verletzungsgefahr und das Risiko für eine Beschädigung des Produkts.
- Führen Sie nur Wartungsarbeiten durch, die gemäß dieser Betriebsanleitung vorgegeben sind. Lassen Sie alle anderen Wartungsarbeiten von einem autorisierten Servicecenter durchführen.
- Lassen Sie das Gerät regelmäßig von einer autorisierten Husqvarna Servicewerkstatt warten.
- Ersetzen Sie beschädigte, abgenutzte oder defekte Teile.
- Verwenden Sie immer Originalzubehör.

Sicherheitshinweise für die Wartung



WARNUNG: Lesen Sie die folgenden Warnhinweise, bevor Sie das Gerät benutzen.

- Stellen Sie sicher, dass der Motor ausgeschaltet ist und dass sich der Stoppschalter in der Stellung STOP befindet.

Montage

Trennscheiben



WARNUNG: Tragen Sie bei der Montage des Geräts immer Schutzhandschuhe.



WARNUNG: Trennscheiben können brechen und Verletzungen des Bedieners verursachen.



WARNUNG: Untersuchen Sie die Trennscheibe vor dem Gebrauch und unmittelbar nach dem Auftreffen auf einen unbeabsichtigten Gegenstand auf Risse, Verformung oder Unwucht. Verwenden Sie keine schadhafte Trennscheibe. Nach dem Prüfen und Installieren der Trennscheibe positionieren Sie sich und umstehende Personen weg von der Fläche der rotierenden Trennscheibe, und lassen Sie das Motorwerkzeug bei maximaler Geschwindigkeit ohne Last eine Minute lang laufen.



WARNUNG: Der Hersteller der Diamantscheibe gibt Warnhinweise und Empfehlungen für den Betrieb und die korrekte Wartung der Trennscheibe. Diese Warnhinweise werden mit der Trennscheibe bereitgestellt. Lesen und befolgen Sie die Anweisungen, die im Lieferumfang der Trennscheibe enthalten sind.

Verwendbare Trennscheiben



WARNUNG: Verwenden Sie für Beton und Metall nur Diamantscheiben und Schleifscheiben. Verwenden Sie keine Trennscheiben mit Einschnitten wie z. B. kreisförmige Holzsägeblätter oder Trennscheiben mit Karbidspitzen. Die Rückschlaggefahr ist erhöht, und Karbidspitzen können sich lösen und mit hoher Geschwindigkeit weggeschleudert werden. Dies kann zu Verletzungen oder zum Tod führen.



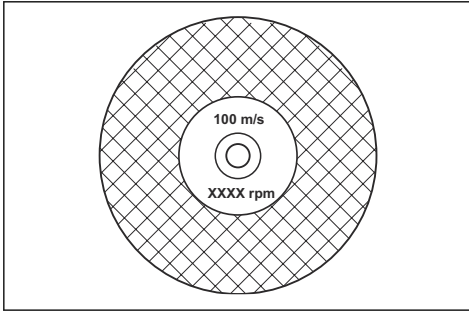
WARNUNG: Trennscheiben sind ausschließlich für das vorgesehene Material zu verwenden.



WARNUNG: Verwenden Sie nur Trennscheiben, die in Übereinstimmung mit den nationalen oder regionalen Normen sind, z. B. EN12413, EN13236 oder ANSI B7.1.



WARNUNG: Verwenden Sie keine Trennscheibe, deren Nenndrehzahl unter der des Geräts liegt. Die Nenndrehzahl der Trennscheibe ist auf der Trennscheibe, die des Geräts auf dem Scheibenschutz angegeben.

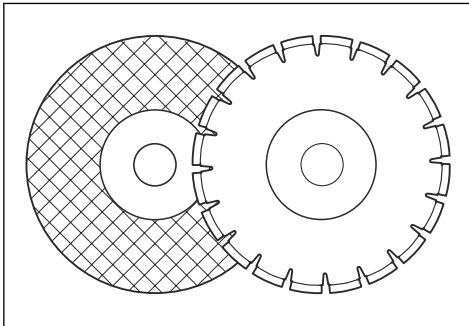


Hinweis: Viele Trennscheiben, die an diesem Gerät befestigt werden können, sind für stationäre Sägen vorgesehen. Die Nenndrehzahl dieser Trennscheiben ist zu gering für dieses Gerät.



ACHTUNG: Verwenden Sie keine Trennscheiben, die die empfohlene Scheibendicke überschreiten. Siehe *Technische Angaben auf Seite 69*.

- Trennscheiben für dieses Gerät gibt es in zwei Grundmodellen: gebundene Schleifscheiben und Diamantscheiben.



- Stellen Sie sicher, dass die Trennscheibe das richtige Lochmaß für die installierte Dornbuchse hat.

Von der Trennscheibe ausgehende Vibrationen



ACHTUNG: Wenn Sie das Gerät mit zu viel Kraft verwenden, kann die Trennscheibe zu heiß werden, sich biegen und Vibrationen herbeiführen. Verwenden Sie das Gerät mit weniger Kraft. Wenn die Vibrationen weiterhin bestehen, ersetzen Sie die Trennscheibe.

Gebundene Schleifscheiben



WARNUNG: Gebundene Schleifscheiben dürfen nicht mit Wasser in Berührung kommen. Feuchtigkeit verringert die Festigkeit der gebundenen Schleifscheibe, und die Trennscheibe kann brechen und Verletzungen verursachen.

Eine gebundene Schleifscheibe besteht aus kleinen Schleifkörnern, die mit einem organischen oder glasartigen Bindemittel verbunden sind, und die mit Gewebeverstärkungen geformt wurde, um zu verhindern, dass die Trennscheibe während des Hochgeschwindigkeitsbetriebs bricht.

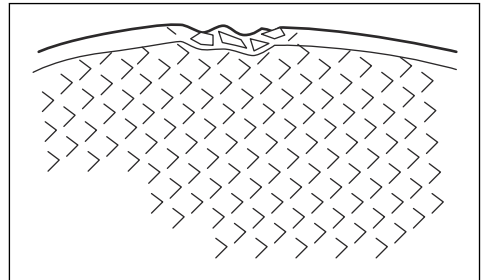
Gebundene Schleifscheiben für verschiedene Materialien

Hinweis: Stellen Sie sicher, dass sie die passenden Trennscheiben für das Trennen von Schienen verwenden.

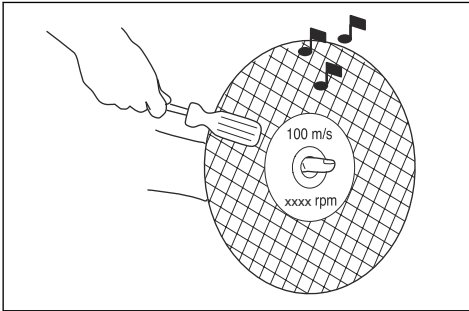
Art der Trennscheibe	Material
Trennscheibe für Beton	Beton, Asphalt, Stein, Mauerwerk, Gusseisen, Aluminium, Kupfer, Messing, Kabel, Gummi und Kunststoff.
Trennscheibe für Metall	Stahl, Stahlliegierungen und andere harte Metalle.
Trennscheibe für Schienen	Schienen

Überprüfung einer gebundenen Schleifscheibe

- Stellen Sie sicher, dass die Trennscheibe keine Risse oder anderen Schäden aufweist.



- Hängen Sie die Trennscheibe an Ihren Finger, und schlagen Sie mit einem Schraubenzieher leicht auf die Trennscheibe. Wenn Sie kein klares Geräusch hören, ist die Trennscheibe beschädigt.



- Schleifen Sie die Trennscheibe durch Schneiden in weiches Material wie Sand- oder Ziegelstein.

Diamantscheiben für den Nassschnitt

- Diamantscheiben für den Nassschnitt müssen mit Wasser verwendet werden.
- Wasser senkt die Temperatur der Trennscheibe, erhöht die Lebensdauer und verringert den Staub während des Betriebs.
- Beim Nassschnitt müssen Sie das Abwasser sicher auffangen.

Diamantklingen für den Trockenschnitt

- Bei Diamantscheiben für das trockene Trennschleifen ist ein ausreichender Luftstrom um die Trennscheibe erforderlich, um die Temperatur zu senken. Aus diesem Grund werden Diamantscheiben für das trockene Trennschleifen nur für den intermittierenden Betrieb empfohlen. Nach einigen Sekunden Betrieb muss die Diamantscheibe frei (also vom Schnitt entfernt) drehen. Dadurch kann der Luftstrom um die Scheibe die Temperatur der Diamantscheibe senken.

Diamantscheiben

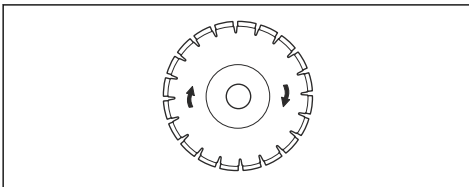


WARNUNG: Während der Verwendung können Diamantscheiben sehr heiß werden. Eine zu heiße Diamantscheibe führt zu schlechter Leistung sowie Beschädigung der Scheibe und ist ein Sicherheitsrisiko.



WARNUNG: Verwenden Sie keine Diamantscheibe zum Schneiden von Kunststoff. Die heiße Diamantscheibe kann den Kunststoff zum Schmelzen bringen, was zu einem Rückschlag führen kann.

- Diamantscheiben haben einen Stahlkern mit Segmenten aus Industriediamanten.
- Diamantscheiben werden für alle Arten von Mauerwerk, armierten Beton und Stein verwendet.
- Vergewissern Sie sich, dass die Diamantscheibe in Richtung der Pfeile dreht, die auf dieser abgebildet sind.

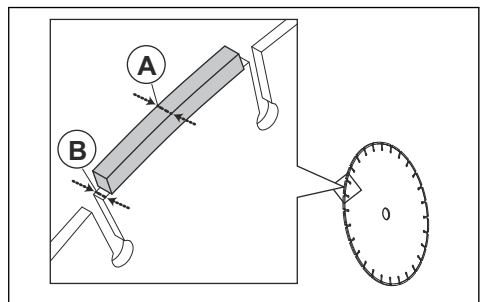


- Immer eine scharfe Diamantscheibe benutzen.
- Diamantscheiben können stumpf werden, wenn Sie einen falschen Vorschubdruck anwenden oder Materialien wie Beton mit Bewehrungen schneiden. Wenn Sie eine stumpfe Diamantscheibe verwenden, kann diese heiß laufen, bis sich Diamantsegmente ablösen.

Diamanttrennscheibe – Seitenspiel



WARNUNG: In bestimmten Situationen oder mit Trennscheiben geringer Qualität kann es zu übermäßigem Verschleiß der Segmente kommen. Stellen Sie sicher, dass das Diamantsegment (A) breiter ist als die Scheibe (B). Dadurch werden ein Festklemmen im Schnittspalt und ein Rückschlag verhindert. Siehe *Rückschlag auf Seite 52*.



ACHTUNG: In manchen Situationen und bei schlechten Trennscheiben kann es zu übermäßigem Verschleiß der Segmente kommen. Ersetzen Sie die Trennscheibe, bevor sie verschlissen ist.

Trennscheibe schärfen

Hinweis: Die besten Schnittergebnisse erzielen Sie, wenn Sie eine scharfe Trennscheibe verwenden.

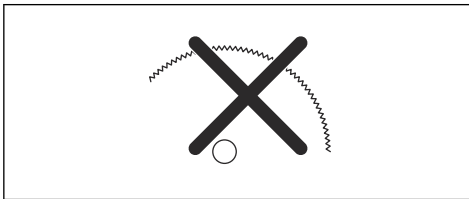
Gezahnte Trennscheiben



WARNUNG: Verwenden Sie niemals gezahnte Trennscheiben wie Holztrennscheiben, gezahnte Kreistrennscheiben, Hartmetalltrennscheiben oder ähnliches. Die Rückschlaggefahr ist dabei erheblich höher. Außerdem können dabei Bruchstücke mit hoher Geschwindigkeit auf den Bediener geschleudert werden. Unachtsamkeit kann zu schweren Verletzungen bis hin zum Tod führen.



WARNUNG: Nach den staatlichen Bestimmungen ist für Trennscheiben mit Karbidspitzen eine andere Art von Schutz erforderlich, der für Trennschleifer nicht verfügbar ist – ein 360-Grad-Schutz. Für Trennschleifer (dieses Gerät) werden Diamantscheiben verwendet. Sie verfügen über ein anderes Schutzsystem, das keinen Schutz gegen die Gefahren von Holztrennscheiben bietet.



Die Verwendung dieses Trennschleifers mit einer Hartmetalltrennscheibe verstößt gegen die während der Arbeit geltenden Sicherheitsvorschriften.

Aufgrund der Gefährlichkeit und Dringlichkeit von Brandbekämpfungs- und Rettungseinsätzen, die von vielen verschiedenen, hochqualifizierten Rettungskräften (Feuerwehr) durchgeführt werden, ist Husqvarna sich darüber bewusst, dass dieser Trennschleifer in bestimmten Notsituationen von Rettungskräften mit Trennscheiben mit Karbidspitzen eingesetzt wird, da diese Trennscheiben viele verschiedene Materialien schneiden können und dadurch das zeitaufwändige Wechseln der Trennscheiben oder Maschinen entfällt. Bei der Verwendung dieses Trennschleifers ist stets zu beachten, dass die Rückschlaggefahr bei Scheiben mit Karbidspitze bei unsachgemäßer Verwendung größer ist als bei Diamantscheiben. Bei Trennscheiben mit Karbidspitzen besteht ferner die Gefahr von umherfliegenden Materialteilen.

Daher sollte ein Trennschleifer niemals mit einer Trennscheibe mit Karbidspitzen verwendet werden, außer von hochqualifizierten Rettungskräften, die sich der Gefahren der Verwendung bewusst sind, und nur in dringenden Situationen, wenn andere Werkzeuge für Brandbekämpfungs- oder Rettungseinsätze als

ineffizient und wirkungslos erachtet werden. Ein Trennschleifer mit einer Trennscheibe mit Karbidspitzen darf niemals außerhalb von Rettungseinsätzen zum Schneiden von Holz eingesetzt werden.

So prüfen Sie Spindelwelle und Flanschscheiben



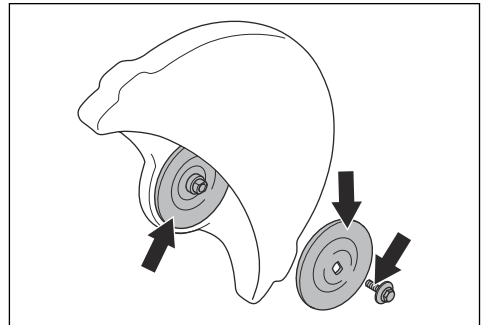
ACHTUNG: Verwenden Sie nur Husqvarna-Flanschscheiben mit einem Mindestdurchmesser von 105 mm/4,1 Zoll.



WARNUNG: Verwenden Sie keine schmutzigen, verschlissenen oder beschädigten Flanschscheiben. Verwenden Sie nur Flanschscheiben mit der gleichen Abmessung. Eine falsche Flanschscheibe kann dazu führen, dass die Trennscheibe beschädigt wird oder sich löst.

Prüfen Sie die Spindelwelle und die Flanschscheiben, wenn die Trennscheibe ersetzt wird.

1. Stellen Sie sicher, dass die Gewinde der Spindelwelle nicht beschädigt sind. Ersetzen Sie die beschädigten Teile.



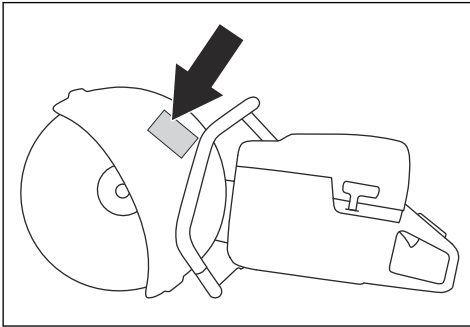
2. Stellen Sie sicher, dass die Kontaktflächen an der Trennscheibe und den Flanschscheiben nicht beschädigt sind. Ersetzen Sie die beschädigten Teile.
3. Vergewissern Sie sich, dass die Flanschscheiben sauber sind und die richtige Abmessung aufweisen.
4. Vergewissern Sie sich, dass die Flanschscheiben frei auf der Spindelwelle laufen.

So prüfen Sie die Dornbuchsen

Die Dornbuchsen dienen zur Einpassung des Geräts in das Mittelloch der Trennscheibe. Das Gerät wird mit einer dieser beiden Arten von Dornbuchsen geliefert:

- einer Dornbuchse, die zur anderen Seite gedreht werden kann und für Mittellöcher mit einem Durchmesser von 20 mm/0,79 Zoll oder 25,4 mm/1 Zoll geeignet ist

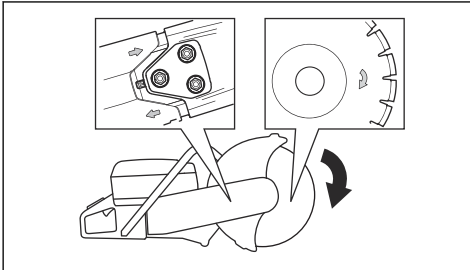
- einer Dornbuchse mit einem Durchmesser von 25,4 mm/1 Zoll
- Ein Aufkleber auf dem Scheibenschutz zeigt die installierte Dornbuchse und die Spezifikationen für die entsprechenden Trennscheiben.



- Stellen Sie sicher, dass die Abmessung des Mittel Lochs der Trennscheibe mit der installierten Dornbuchse übereinstimmt. Der Durchmesser des Mittel Lochs ist auf der Trennscheibe aufgedruckt.
- Verwenden Sie nur Dornbuchsen von Husqvarna.

So prüfen Sie die Rotationsrichtung der Trennscheibe

1. Suchen Sie die Pfeile auf dem Trennarm, die die Rotationsrichtung der Spindelwelle anzeigen.



2. Suchen Sie den Pfeil auf dem Scheibenschutz, der die Rotationsrichtung der Trennscheibe anzeigt.
3. Stellen Sie sicher, dass die Richtungspfeile der Trennscheibe und der Spindelwelle in dieselbe Richtung zeigen.

So installieren Sie die Trennscheibe

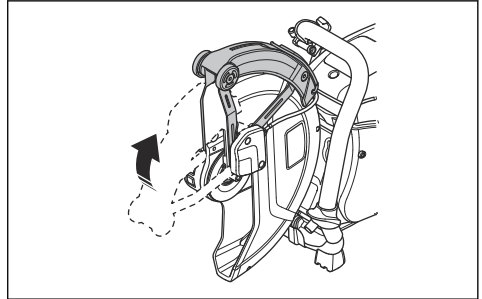


WARNUNG: Stellen Sie sicher, dass der Motor ausgeschaltet ist und sich der Stopp-Schalter in der Position STOP befindet.



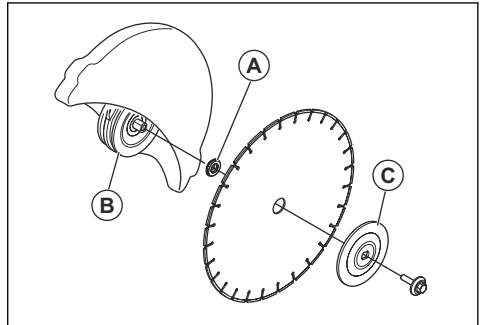
WARNUNG: Tragen Sie bei der Montage des Geräts immer Schutzhandschuhe.

1. Prüfen Sie die Flanschscheiben und die Spindelwelle. Siehe *So prüfen Sie Spindelwelle und Flanschscheiben auf Seite 49.*
2. Ziehen Sie den SmartGuard zurück, und halten Sie ihn in der zurückgezogenen Position.

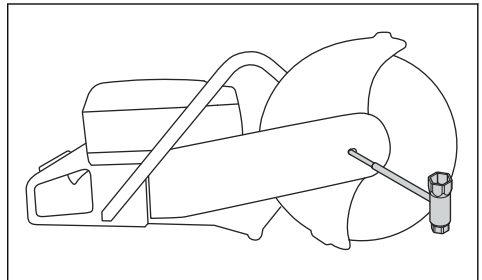


Hinweis: Dieser Schritt gilt nur für K 970 SmartGuard.

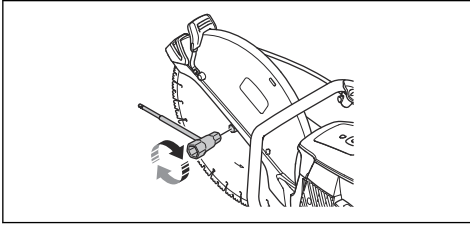
3. Montieren Sie die Trennscheibe an die Trennscheibenbuchse (A) zwischen der inneren Flanschscheibe (B) und der Flanschscheibe (C). Drehen Sie die Flanschscheibe, bis sie fest auf der Welle sitzt.



4. Führen Sie ein Werkzeug in die Öffnung des Schneidkopfes ein, und drehen Sie die Trennscheibe, bis die Welle verriegelt ist.



5. Ziehen Sie die Schraube der Trennscheibe mit 30 Nm/18,5 ft-lb fest.



So kehren Sie den Schneidkopf um (K 970 III, K 970 III Rescue)



WARNUNG: Schneiden Sie nur mit umgekehrtem Schneidkopf, wenn ein Standardverfahren nicht möglich ist.

Das Gerät verfügt über einen umkehrbaren Schneidkopf, mit dem Sie in der Nähe einer Wand oder in Bodennähe schneiden können. Schneiden Sie nur mit umgekehrtem Schneidkopf, wenn ein Standardverfahren nicht möglich ist. Wenn ein Rückschlag auftritt, ist es schwieriger, das Gerät unter Kontrolle zu behalten, wenn der Schneidkopf umgekehrt ist. Der Abstand zwischen der Trennscheibe und der Mitte des Geräts ist länger, was bedeutet, dass der Handgriff und die Trennscheibe nicht aufeinander ausgerichtet sind. Dies wirkt sich negativ auf das Gleichgewicht im Gerät aus, und es ist schwieriger, das Gerät zu halten, wenn die Trennscheibe in der Rückschlagzone eingeklemmt oder festgeklemmt wird. Siehe *Rückschlag auf Seite 52*.



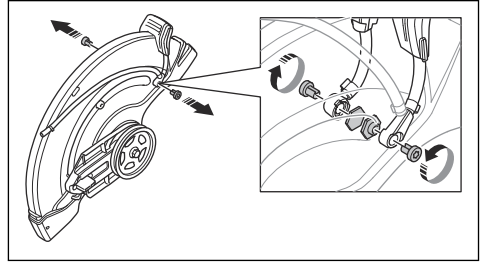
WARNUNG: Stellen Sie sicher, dass der Motor ausgeschaltet ist und sich der Stoppschalter in der Position STOP befindet.



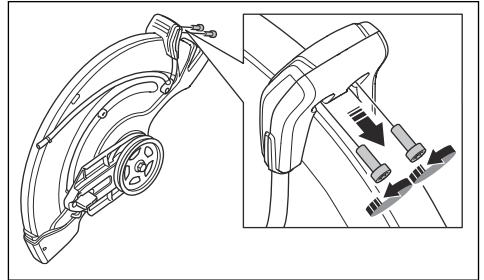
WARNUNG: Tragen Sie bei der Montage des Geräts immer Schutzhandschuhe.

1. Entfernen Sie die Trennscheibe, die vordere Riemenabdeckung und den Schneidkopf. Siehe Schritte 1-5 unter *So ersetzen Sie den Treibriemen auf Seite 62*.

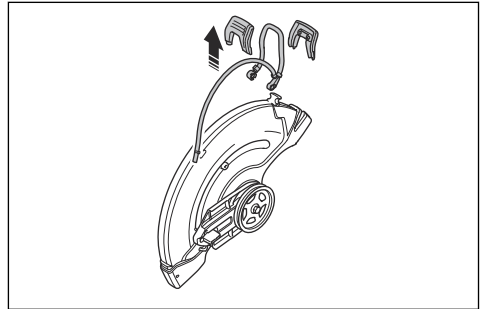
2. Entfernen die 2 Schrauben und Muttern, mit denen die Sprühdüse befestigt ist.



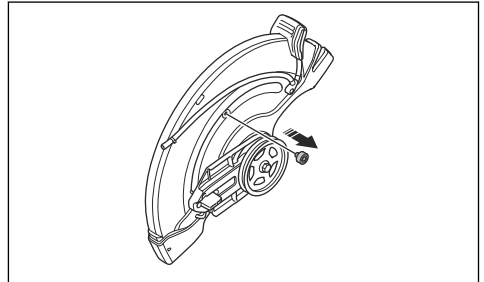
3. Entfernen Sie die 2 Schrauben vom Einstellgriff für den Scheibenschutz.



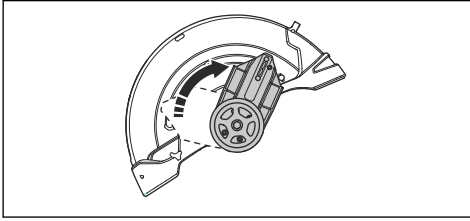
4. Entfernen Sie den Einstellgriff für den Scheibenschutz.



5. Entfernen Sie die Anschlaghülse.

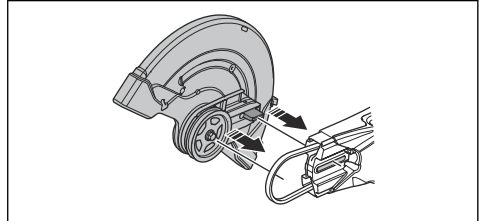


6. Bewegen Sie das Lagergehäuse, und installieren Sie die Anschlaghülse.



7. Installieren Sie die Anschlaghülse.

8. Installieren Sie den Treibriemen auf der gegenüberliegenden Seite.



9. Installieren Sie den Schneidkopf und die Treibriemenabdeckung, siehe *So ersetzen Sie den Treibriemen auf Seite 62*.
10. Installieren Sie die Sprühdüse und die Trennscheibe in umgekehrter Reihenfolge, wie sie entfernt wurden.

Betrieb

Einleitung



WARNUNG: Lesen Sie vor Gebrauch des Geräts das Kapitel über Sicherheit, und machen Sie sich damit vertraut.

Rückschlag



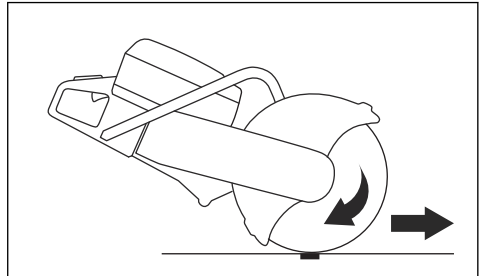
WARNUNG: Rückschläge treten unerwartet und mit zum Teil großer Heftigkeit auf. Heftige Drehbewegungen und starkes Wackeln des Trennschleifers können zu schweren oder tödlichen Verletzungen führen. Bediener müssen deshalb vor dem Betrieb des Produktes die Ursachen für Rückschläge sowie die Vorsichtsmaßnahmen zu deren Vermeidung verstehen.

Als Rückschläge werden ruckartige Aufwärtsbewegungen bezeichnet, die dadurch entstehen, dass die Klinge im Rückschlagbereich einklemmt oder stecken bleibt. Die meisten Rückschläge haben nur kleine Auswirkungen auf das Verhalten des Gerätes und stellen keine große Gefahr dar. Es kann jedoch zu heftigen Drehbewegungen und starkem Wackeln des Trennschleifers kommen, was zu schweren oder tödlichen Verletzungen führen kann.

Rückschlageffekt

Der Rückschlageffekt kann bei Schneidearbeiten jederzeit auftreten. Das Gerät wird dabei in die zur Rotationsrichtung der Trennscheibe entgegengesetzte Richtung gezogen. Beim Betrieb des Gerätes kann dieser Effekt meist vernachlässigt werden. Wird die Scheibe eingeklemmt oder bleibt sie stecken, so kann

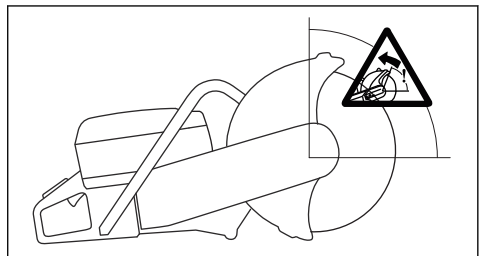
die Heftigkeit der Rückschlageffekte dazu führen, dass der Bediener die Kontrolle über das Gerät verliert.



Bewegen Sie das Gerät niemals, wenn sich die Schneidausrüstung dreht. Kreiselkräfte können die beabsichtigte Bewegung behindern

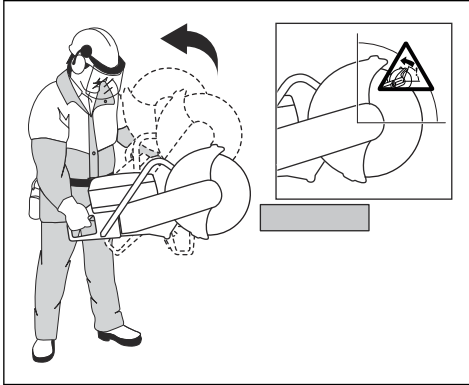
Rückschlagbereich

Der Rückschlagbereich der Klinge soll niemals zum Schneiden angewendet werden. Wird die Klinge eingeklemmt oder bleibt sie im Rückschlagbereich stecken, kann die Heftigkeit der Rückschlageffekte zu heftigen Drehbewegungen und starkem Wackeln des Trennschleifers führen, was schwere oder tödliche Verletzungen verursachen kann.



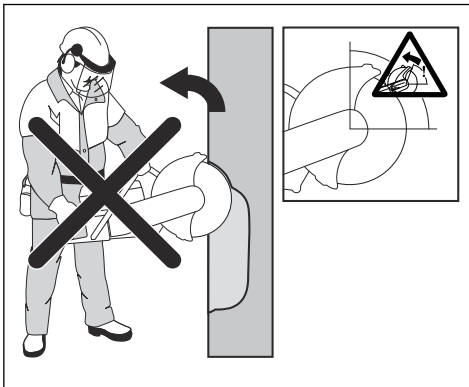
Rückschlag der rotierenden Scheibe

Ein Rückschlag der rotierenden Scheibe tritt auf, wenn die Trennscheibe in der Rückschlagzone nicht frei beweglich ist.



Hochschlagen des Geräts durch Rückschlageffekt

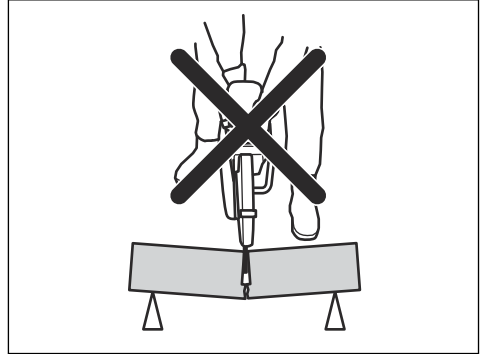
Wird im Rückschlagbereich geschnitten, kann der Rückstoßeffect zu einem Hochschlagen des Geräts führen. Scheiden Sie deshalb nicht mit dem Rückschlagbereich. Ein Hochschlagen des Geräts können Sie dadurch vermeiden, dass Sie mit dem unteren Quadrant der Klinge schneiden.



Blockierung

Blockiert wird das Gerät, wenn sich die Schnittstelle verengt. Wird die Klinge eingeklemmt oder bleibt sie stecken, so kann die Heftigkeit der Rückschlageffekts

dazu führen, dass der Bediener die Kontrolle über das Gerät verliert.



Wird die Klinge eingeklemmt oder bleibt sie im Rückschlagbereich stecken, kann die Heftigkeit der Rückschlageffekts zu heftigen Drehbewegungen und starkem Wackeln des Trennschleifers führen, was schwere oder tödliche Verletzungen verursachen kann. Auf mögliche Bewegungen des Werkstücks achten. Wenn das Werkstück nicht ausreichend gestützt ist und sich beim Schneiden verschiebt, kann es durch Einklemmen der Trennscheibe zu einem Rückschlag kommen.

Schneiden von Rohren

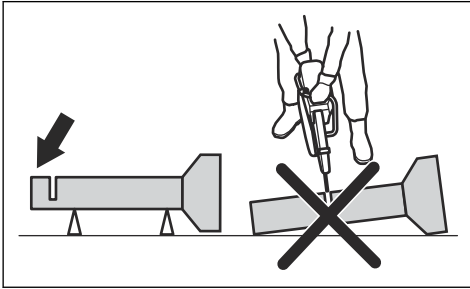


WARNUNG: Wird die Klinge im Rückschlagbereich eingeklemmt, führt dies zu einem starken Rückschlageffekt.

Beim Schneiden von Rohren ist besondere Sorgfalt geboten. Ist das Rohr nicht ordnungsgemäß gestützt und die Schnittstelle während des Schneidens offen, könnte die Trennscheibe eingeklemmt werden. Achtung: Beim Schneiden eines Rohrs mit einem verbreiterten Ende oder eines Rohrs in einem Baugraben kann eine nicht ausreichende Stützung zu einem Durchhängen und Einklemmen der Trennscheibe führen.

Wenn das Rohr durchhängt, so dass sich die Schnittstelle verengt, wird die Trennscheibe im Rückschlagbereich eingeklemmt und kann einen schweren Rückschlag hervorrufen. Wenn das Rohr ordnungsgemäß gestützt ist, fällt das Ende des Rohrs nach unten, die Schnittstelle wird verbreitert, und die Trennscheibe kann nicht eingeklemmt werden.

1. Sichern Sie das Rohr, damit es sich nicht bewegen oder wegrollen kann.

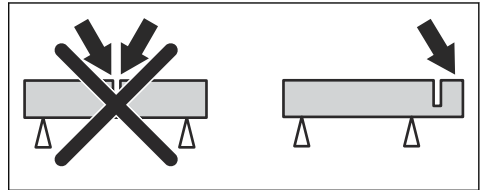


WARNUNG: Stellen Sie sicher, dass das Werkstück sich während der Arbeit nicht bewegen kann.



WARNUNG: Nur Sie selbst und eine vorschriftsmäßige Arbeitstechnik können den Rückschlag und seine Risiken ausschalten.

- Stützen Sie das Werkstück stets ab, so dass der Schnitt beim Schneiden offen bleiben kann. Bei einer geöffneten Schnittstelle tritt kein Rückschlageffekt auf. Rückschlaggefahr besteht, wenn sich die Schnittstelle schließt und die Trennscheibe eingeklemmt werden könnte.



Grundlegende Arbeitstechnik



WARNUNG: Ziehen Sie das Gerät nicht zur Seite. Dadurch kann die freie Bewegung der Trennscheibe verhindert werden. Die Trennscheibe kann brechen und Verletzungen des Bedieners oder umstehender Personen verursachen.



WARNUNG: Schleifen Sie niemals mit der Trennscheibenseite. Die Trennscheibe kann brechen und Verletzungen des Bedieners oder umstehender Personen verursachen. Verwenden Sie nur die Schneidkante.



WARNUNG: Kontrollieren Sie, ob die Trennscheibe korrekt installiert ist und keine Schäden aufweist.

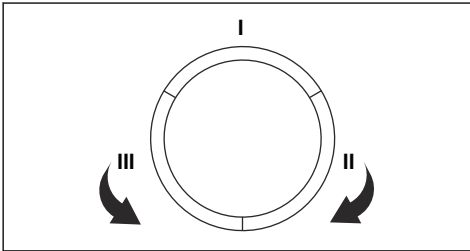


WARNUNG: Bevor Sie in einem bestehenden Schnittspalt, der mit einer anderen Trennscheibe geschnitten wurde, weiterschneiden, müssen Sie überprüfen, ob dieser Spalt nicht dünner als die Trennscheibe ist, damit sich die Trennscheibe nicht im Schnittspalt festfrisst und es keinen Rückschlag gibt.

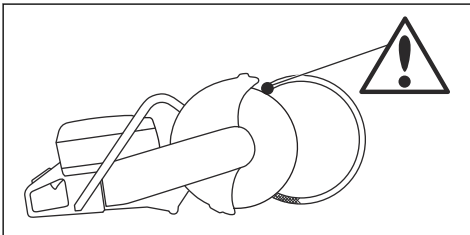


WARNUNG: Beim Schneiden von Metall entstehen Funken, die einen Brand verursachen können. Verwenden Sie das Gerät nicht in der Nähe von brennbaren Materialien oder Gasen.

2. Schneiden Sie Bereich I des Rohrs.



3. Stellen Sie sicher, dass der Schnitt geöffnet wird, um ein Einklemmen zu verhindern.



4. Auf Seite II wechseln und von Abschnitt I bis zur Unterseite des Rohrs schneiden.
5. Auf Seite III wechseln und den restlichen Teil des Rohrs an der Unterseite schneiden.

Einen Rückschlag verhindern

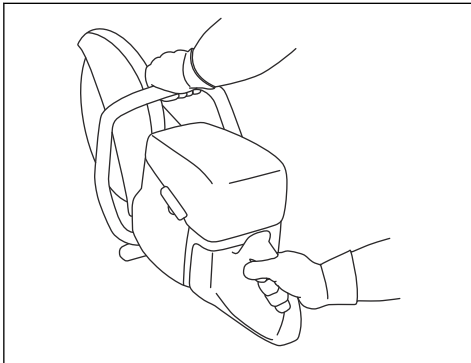


WARNUNG: Vermeiden Sie Situationen, in denen Rückschlaggefahr besteht. Seien Sie bei der Verwendung Ihres Trennschleifers vorsichtig und stellen Sie sicher, dass die Trennscheibe nicht in der Rückschlagzone eingeklemmt wird.



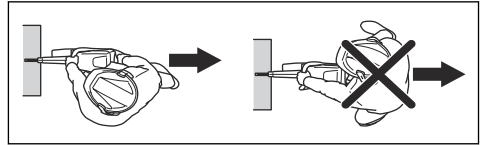
WARNUNG: Seien Sie beim erneuten Einführen der Trennscheibe in einen bestehenden Schnittspalt vorsichtig.

- Das Gerät ist zum Schneiden mit gebundenen Schleifscheiben oder Diamantscheiben für handgehaltene Hochgeschwindigkeits-Produkte geeignet. Mit anderen Arten von Trennscheiben oder bei zweckfremden Arbeiten darf das Produkt nicht verwendet werden.
- Stellen Sie sicher, dass für das entsprechende Material eine korrekte Trennscheibe verwendet wird. Eine Anleitung finden Sie in *Verwendbare Trennscheiben auf Seite 46*.
- Schneiden Sie keine asbesthaltigen Materialien.
- Halten Sie bei laufendem Motor einen sicheren Abstand von der Trennscheibe. Versuchen Sie nicht, eine sich drehende Trennscheibe mit einem Körperteil zu stoppen. Das Berühren einer drehenden Trennscheibe kann auch bei ausgeschaltetem Motor zu schweren oder tödlichen Verletzungen führen.
- Nachdem der Gashebel losgelassen wurde, dreht sich die Trennscheibe noch eine Zeit lang weiter. Stellen Sie sicher, dass die Trennscheibe angehalten hat, bevor das Gerät bewegt oder abgelegt wird. Wenn die Trennscheibe schnell angehalten werden muss, lassen Sie die Trennscheibe leicht eine harte Oberfläche berühren.
- Bewegen Sie das Gerät nicht bei eingeschaltetem Motor
- Halten Sie das Gerät mit beiden Händen. Halten Sie das Gerät, indem Sie mit Daumen und Fingern fest und vollständig um die Kunststoffgriffe mit Isolierung greifen. Umfassen Sie mit der rechten Hand den hinteren Handgriff und mit der linken den vorderen. Alle Bediener müssen das Gerät so halten. Verwenden Sie einen Trennschleifer nicht mit nur einer Hand.

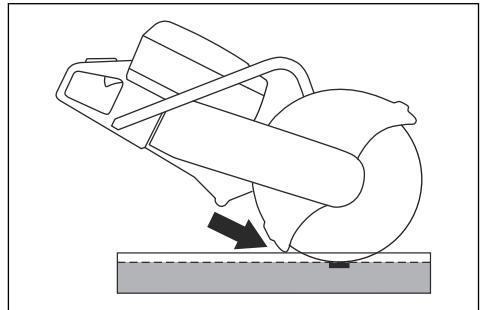


- Immer parallel zur Trennscheibe stehen. Stellen Sie sich nie genau dahinter. Im Fall eines Rückschlags

bewegt sich das Gerät in der Ebene der Trennscheibe.

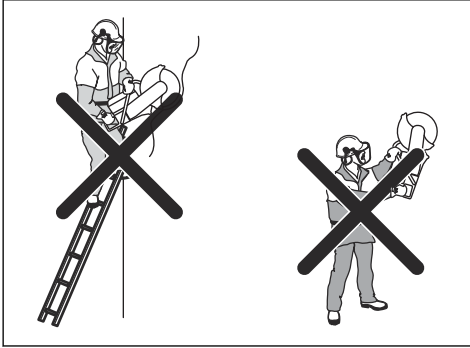


- Entfernen Sie sich nicht vom Gerät, wenn der Motor eingeschaltet ist. Bevor Sie sich vom Gerät entfernen, schalten Sie den Motor ab, und vergewissern Sie sich, dass keine Gefahr eines versehentlichen Starts besteht.
- Verwenden Sie den Einstellgriff des Scheibenschutzes, um den hinteren Teil des Schutzes bündig mit dem Werkstück einzustellen. Spritzer und Funken des geschnittenen Materials werden dann von der Schutzvorrichtung aufgefangen und vom Bediener weggeleitet. Bei laufendem Gerät müssen die Schutzvorrichtungen für die Schneidausrüstung immer installiert sein.

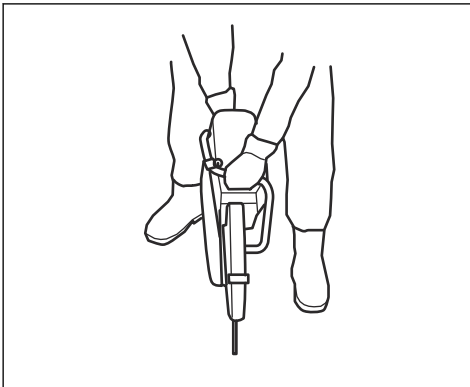


- Verwenden Sie niemals den Rückschlagbereich der Trennscheibe zum Schneiden. Eine Anleitung finden Sie in *Rückschlagbereich auf Seite 52*.
- Verwenden Sie das Gerät erst, wenn der Arbeitsbereich frei ist und Ihre Füße und Ihr Körper sich in einer stabilen Position befinden.
- Führen Sie keine Schnitte oberhalb der Schulterhöhe aus.
- Arbeiten Sie nicht von einer Leiter aus. Verwenden Sie eine Plattform oder ein Gerüst, wenn der Schnitt

oberhalb der Schulter erfolgt. Sorgen Sie für einen festen Stand.

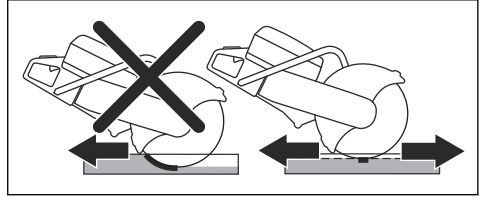


- Halten Sie einen bequemen Abstand zum Werkstück ein.
- Achten Sie darauf, dass die Trennscheibe frei drehen kann, wenn der Motor gestartet wird.
- Setzen Sie die Trennscheibe vorsichtig bei hoher Drehzahl (Vollast) an. Behalten Sie die Höchstgeschwindigkeit bei, bis der Schneidevorgang abgeschlossen ist.
- Lassen Sie das Gerät die Arbeit verrichten. Drücken Sie die Trennscheibe nicht nach unten.
- Führen Sie das Gerät in einer Linie mit der Scheibe. Seitendruck kann die Trennscheibe beschädigen und ist äußerst gefährlich.



- Führen Sie die Scheibe langsam vor- und rückwärts, um eine kleine Kontaktfläche zwischen der Scheibe und dem zu schneidenden Material zu erhalten. Auf

diese Weise wird die Temperatur der Scheibe niedrig gehalten und ein effektives Schneiden erzielt.



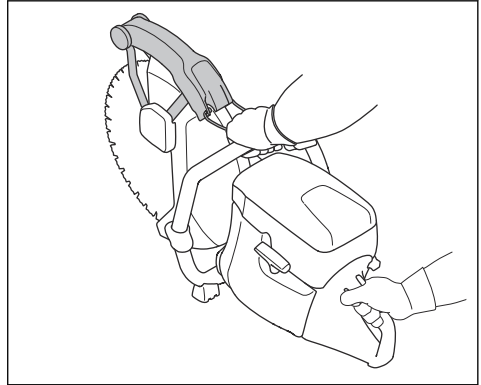
Grundlegende Arbeitstechniken mit K 970 SmartGuard



WARNUNG: Die SmartGuard-Funktion wird ausgeschaltet, wenn der SmartGuard manuell zurückgefahren wird. Fahren Sie den SmartGuard nur manuell zurück, wenn Sie dies tun müssen und keine Rückschlaggefahr besteht.

SmartGuard sorgt für eine größere Abdeckung der Trennscheibe. Dadurch wird die Gefahr verringert, die Trennscheibe im Falle eines Rückschlags zu berühren.

- Sie können den SmartGuard manuell mit dem SmartGuard-Handgriff zurückfahren.
- Halten Sie den SmartGuard-Handgriff mit einem linken Finger, während die anderen Finger gleichzeitig den vorderen Handgriff halten.



So verringern Sie Staubbildung während des Betriebs

Das Gerät verfügt über ein Kit für den Nassschnitt, um schädlichen Staub in der Luft während des Betriebs zu reduzieren. Das Nassschnitt-Kit hat einen geringen Wasserverbrauch.

- Verwenden Sie nach Möglichkeit Trennscheiben für den Nassschnitt mit Wasserkühlung. Siehe *Trennscheiben auf Seite 46*.

- Stellen Sie den Wasserzufluss mit dem Ventil ein. Der richtige Fluss ist für verschiedene Arten von Aufgaben unterschiedlich.
- Stellen Sie sicher, dass der Wasserdruck korrekt ist. Siehe *Technische Angaben auf Seite 69*. Wenn sich der Wasserschlauch an der Versorgungsquelle löst, kann der vorhandene Wasserdruck zu hoch sein.

Kraftstoff

Dieses Produkt verfügt über einen Zweitaktmotor.



ACHTUNG: Die Verwendung eines falschen Kraftstoffs kann zu einer Beschädigung des Motors führen. Verwenden Sie eine Mischung aus Benzin und Zweitaktöl.

Zweitaktöl

- Verwenden Sie für beste Ergebnisse und die beste Leistung Husqvarna Zweitaktöl.
- Wenn Husqvarna Zweitaktöl nicht verfügbar ist, verwenden Sie ein qualitativ hochwertiges Zweitaktöl für luftgekühlte Motoren. Wenden Sie sich an Ihren Kundendienst zur Auswahl der richtigen Ölsorte.



ACHTUNG: Verwenden Sie kein Zweitaktöl für wassergekühlte Außenbordmotoren (auch Outboardoil genannt). Verwenden Sie kein Öl für Viertaktmotoren.

Vorgemischter Kraftstoff

- Verwenden Sie Husqvarna vorgemischten Alkyatkraftstoff. Dies sorgt für die beste Leistung und eine Verlängerung der Lebensdauer des Motors. Im Vergleich zu herkömmlichem Kraftstoff enthält dieser Kraftstoff weniger gesundheitsschädliche Substanzen, wodurch der Ausstoß schädlicher Abgase verringert wird. Die Menge von Rückständen nach der Verbrennung ist bei diesem Kraftstoff niedriger. Dadurch bleiben die Bauteile des Motors sauberer.

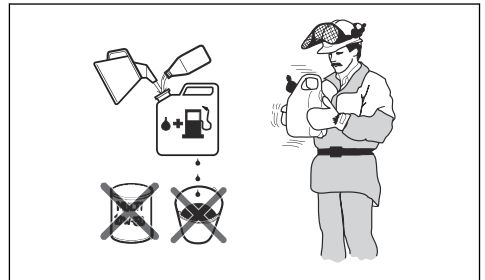
So mischen Sie Benzin und Zweitaktöl

Benzin, Liter	Zweitaktöl, Liter
	2 % (50:1)
5	0,10
10	0,20
15	0,30
20	0,40
US-Gallonen	Flüssige US-Unzen

1	2 ½
2 1/2	6 ½
5	12 ¾



ACHTUNG: Beim Mischen kleiner Kraftstoffmengen wirken sich auch kleine Abweichungen bei der Ölmenge stark auf das Mischungsverhältnis aus. Um das korrekte Mischungsverhältnis sicherzustellen, muss die beizumischende Ölmenge genau abgemessen werden.



1. Füllen die Hälfte des Benzins in einen sauberen Kraftstoffbehälter.
2. Fügen Sie die gesamte Menge Öl hinzu.
3. Schütteln Sie die Kraftstoffmischung.
4. Geben Sie dann den Rest des Benzins in den Behälter dazu.
5. Schütteln Sie die Kraftstoffmischung sorgfältig.



ACHTUNG: Mischen Sie Kraftstoff höchstens für einen Monat im Voraus.

Kraftstoff einfüllen



ACHTUNG: Verwenden Sie kein Benzin mit einer geringeren Oktanzahl als 90 RON (87 AKI). Dies kann das Gerät beschädigen.



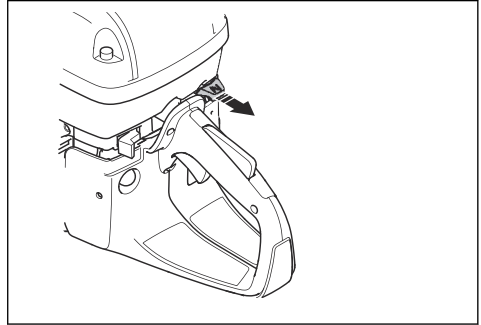
ACHTUNG: Verwenden Sie kein Benzin mit einer höheren Ethanolkonzentration als 10 % (E10). Dies kann das Gerät beschädigen.

Hinweis: Unter Umständen ist eine Vergasereinstellung bei einer Änderung des Kraftstofftyps erforderlich.

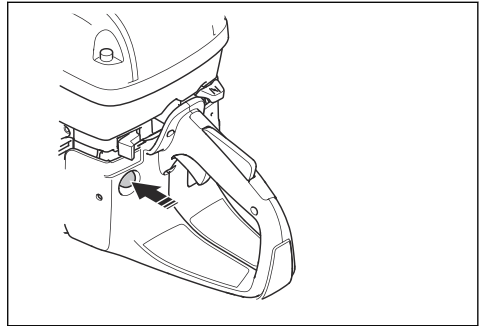
- Verwenden Sie Benzin mit einer höheren Oktanzahl, wenn Sie das Gerät häufig und bei kontinuierlich hoher Motordrehzahl verwenden.

1. Öffnen Sie den Tankdeckel langsam, damit der Druck entweichen kann.
2. Füllen Sie langsam mit einem Kraftstoffkanister auf. Wenn Sie Kraftstoff verschütten, entfernen Sie ihn mit einem Tuch und lassen Sie den verbleibenden Treibstoff trocknen.
3. Säubern Sie den Bereich um den Tankdeckel herum.
4. Schrauben Sie den Kraftstofftankdeckel fest zu. Wenn der Tankverschluss nicht fest zugeschraubt ist, besteht Feuergefahr.
5. Bewegen Sie das Produkt vor dem Starten mindestens 3 m von der Stelle fort, an der Sie den Tank befüllt hatten.

3. Ziehen Sie den Choke-Hebel vollständig heraus, um die Startdrosselklappenstellung einzustellen.



4. Drücken Sie die Kraftstoffpumpenblase 6 Mal, bis sie vollständig mit Kraftstoff gefüllt ist.

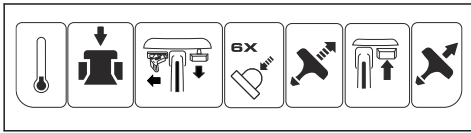


5. Halten Sie den vorderen Handgriff mit der linken Hand fest.
6. Legen Sie Ihren rechten Fuß auf den unteren Teil des hinteren Griffs, und drücken Sie das Gerät gegen den Boden.



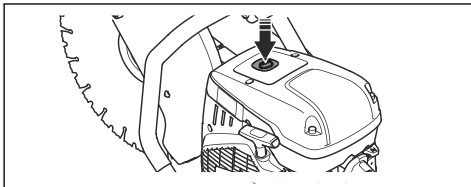
WARNUNG: Wickeln Sie das Startseil nicht um Ihre Hand.

So starten Sie das Gerät bei kaltem Motor

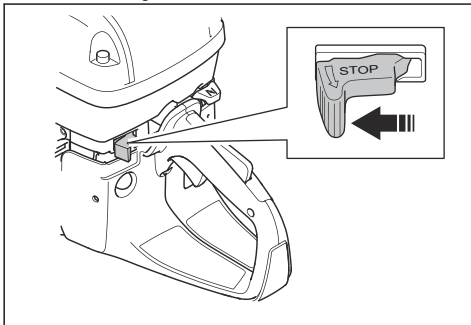


WARNUNG: Stellen Sie sicher, dass die Trennscheibe sich frei drehen kann. Sie dreht sich, wenn der Motor anspringt.

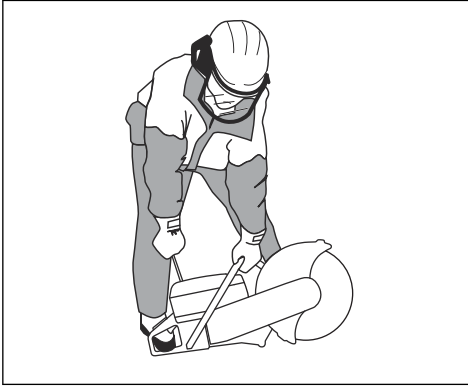
1. Drücken Sie das Dekompressionsventil, um den Druck im Zylinder zu verringern. Das Dekompressionsventil kehrt zurück in die Ausgangsposition, wenn das Gerät startet.



2. Stellen Sie sicher, dass sich der Stopp-Schalter in linker Stellung befindet.

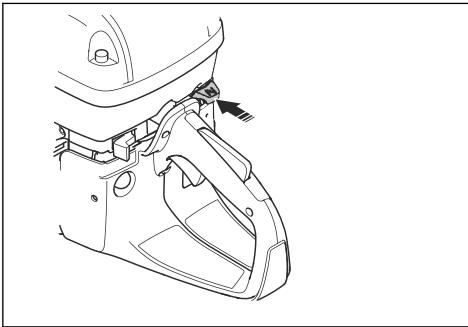


7. Ziehen Sie das Startseil langsam mit der rechten Hand, bis Sie einen Widerstand spüren, wenn die Starterklinken einrasten. Ziehen Sie dann kontinuierlich und schnell.

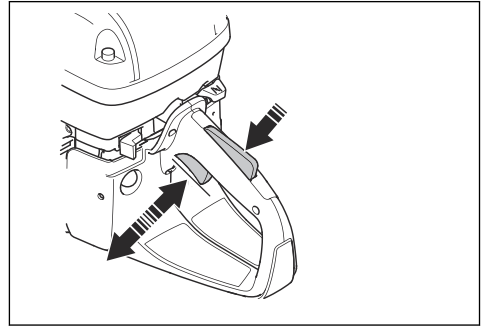


ACHTUNG: Ziehen Sie das Startseil nicht ganz heraus, und lassen Sie den Startseilhandgriff in herausgezogener Position nicht los. Dies kann das Gerät beschädigen.

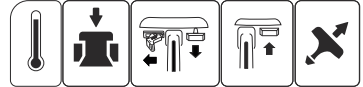
8. Drücken Sie den Choke-Hebel, wenn der Motor startet. Wenn der Choke herausgezogen wird, stoppt der Motor nach einigen Sekunden. Falls der Motor stoppt, ziehen Sie noch einmal am Starterseilhandgriff.



9. Drücken Sie den Gashebel, um das Startgas auszuschalten. Das Gerät geht in den Leerlauf über.

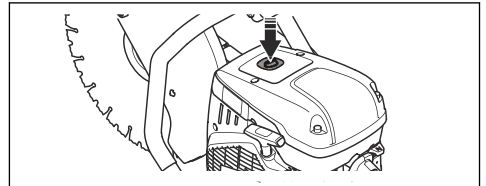


So starten Sie das Gerät bei warmem Motor

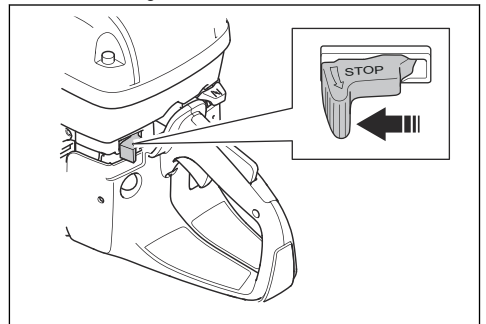


WARNUNG: Stellen Sie sicher, dass die Trennscheibe sich frei drehen kann. Sie dreht sich, wenn der Motor anspringt.

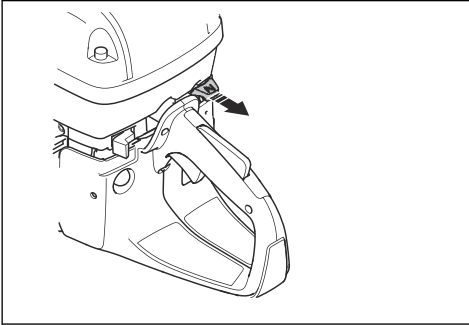
1. Drücken Sie das Dekompressionsventil, um den Druck im Zylinder zu verringern. Das Dekompressionsventil kehrt zurück in die Ausgangsposition, wenn das Gerät startet.



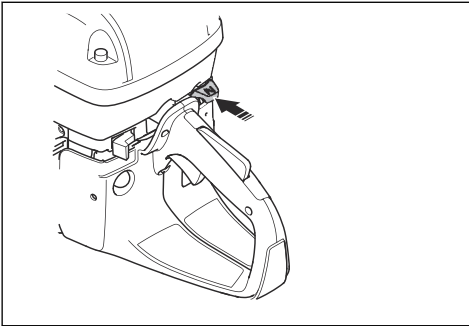
2. Stellen Sie sicher, dass sich der Stopp-Schalter in linker Stellung befindet.



3. Ziehen Sie den Choke-Hebel vollständig heraus, um die Startdrosselklappenstellung einzustellen.



4. Drücken Sie den Choke-Hebel, um den Choke zu deaktivieren. Das Startgas bleibt in Position.

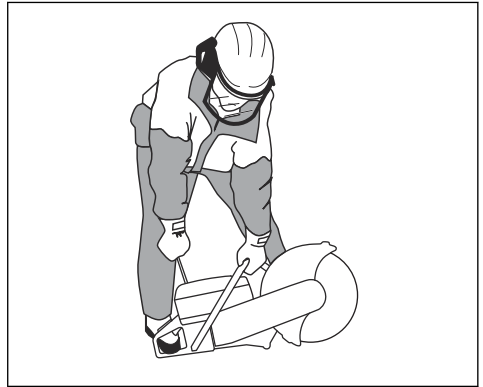


5. Halten Sie den vorderen Handgriff mit der linken Hand fest.
6. Legen Sie Ihren rechten Fuß auf den unteren Teil des hinteren Griffs, und drücken Sie das Gerät gegen den Boden.



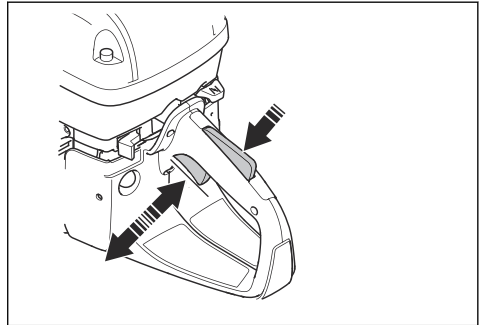
WARNUNG: Wickeln Sie das Startseil nicht um Ihre Hand.

7. Ziehen Sie das Startseil langsam, bis Sie einen Widerstand spüren, wenn die Starterklinken einrasten. Ziehen Sie dann kontinuierlich und schnell.



ACHTUNG: Ziehen Sie das Startseil nicht ganz heraus, und lassen Sie den Startseilhandgriff in herausgezogener Position nicht los. Dies kann das Gerät beschädigen.

8. Drücken Sie den Gashebel, um das Startgas auszuschalten. Das Gerät geht in den Leerlauf über.

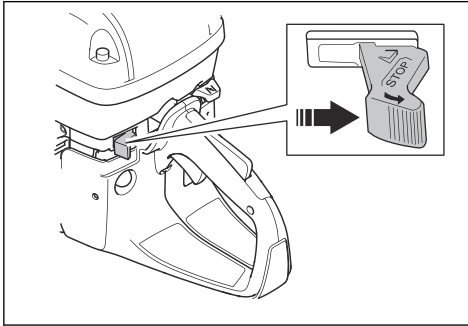


So stoppen Sie das Gerät



WARNUNG: Nach dem Ausschalten des Motors dreht sich die Trennscheibe noch eine Zeit lang weiter. Achten Sie dabei darauf, dass sich die Trennscheibe störungsfrei drehen kann, bis die Drehbewegung endgültig aufhört. Wenn die Trennscheibe schnell angehalten werden muss, lassen Sie die Trennscheibe leicht eine harte Oberfläche berühren. Es besteht die Gefahr von schweren Verletzungen.

- Bewegen Sie den Stop-Schalter nach rechts, um den Motor zu stoppen.



Wartung

Einleitung



WARNUNG: Lesen Sie vor dem Warten des Geräts das Kapitel über Sicherheit, und machen Sie sich damit vertraut.

Informationen über die nächste Servicewerkstatt zu erhalten.

Wenden Sie sich für Ersatzteile an einen Händler oder eine Servicewerkstatt von Husqvarna.

Wartungsplan

Für alle Wartungs- und Reparaturarbeiten am Produkt ist eine spezielle Schulung erforderlich. Wir garantieren, dass professionelle Reparaturen und Wartungsarbeiten zur Verfügung stehen. Wenn Ihr Händler keine Servicewerkstatt ist, sprechen Sie mit ihm, um

Der Wartungsplan enthält die für das Gerät erforderlichen Wartungspunkte. Die Wartungsintervalle werden anhand der täglichen Nutzung des Geräts berechnet.

	Täglich	Wöchentlich	Monatlich	Jährlich
Reinigen	Außenreinigung		Zündkerze	
	Kaltluft einlass		Kraftstofftank	
Funktionsprüfung	Generalinspektion	Antivibrationssystem*	Kraftstoffsystem	
	Kraftstoffaustritt	Schalldämpfer*	Luftfilter	
	Wasserversorgungssystem	Treibriemen	Kupplung	
	Gashebelsperre*	Vergaser		
	Stoppeschalter*	Startvorrichtungsgehäuse		
	Scheibenschutz und Smart-Guard*			
	Trennscheibe**			
Ersetzen				Kraftstofffilter

* Siehe *Sicherheitsvorrichtungen am Gerät auf Seite 43*.

** Siehe *Trennscheiben auf Seite 46*.

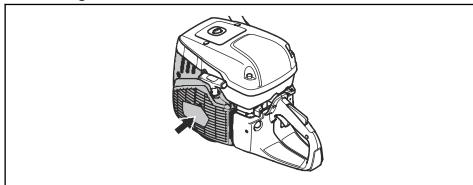
Außen reinigen

- Spülen Sie das Gerät äußerlich nach jedem Arbeitstag mit sauberem Wasser. Falls erforderlich, verwenden Sie eine Bürste.

So reinigen Sie den Lufteinlass

Hinweis: Bei einem verschmutzten oder verstopften Lufteinlass wird das Gerät zu heiß. Dies kann Schäden an Zylinder und Kolben zur Folge haben.

- Reinigen Sie den Lufteinlass, falls erforderlich.



- Entfernen Sie die Blockierung, Schmutz und Staub mit einer Bürste.

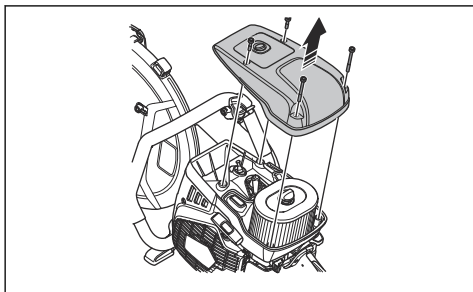
So überprüfen Sie die Zündkerze



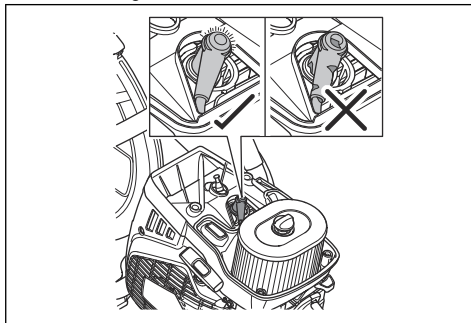
ACHTUNG: Verwenden Sie immer den vom Hersteller empfohlenen Zündkerzentyp! Eine ungeeignete Zündkerze kann Schäden an Kolben und Zylinder verursachen. Angaben zur empfohlenen Zündkerze siehe *Technische Angaben auf Seite 69*.

Wenn das Gerät eine zu geringe Leistung liefert, nur schwer gestartet werden kann oder ein unbefriedigendes Leerlaufverhalten zeigt, überprüfen Sie die Zündkerze.

1. Lösen Sie die 4 Schrauben, und entfernen Sie den Luffilterdeckel.

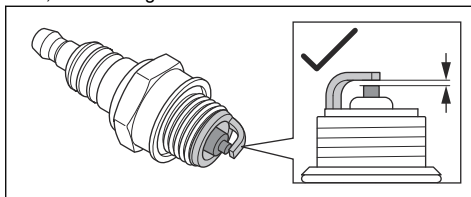


2. Stellen Sie sicher, dass Zündkappe und Zündkabel unbeschädigt sind.

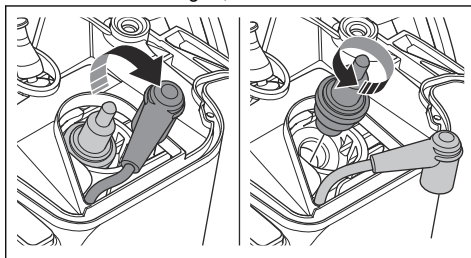


WARNUNG: Eine beschädigte Zündkappe und ein beschädigtes Zündkabel können einen elektrischen Schlag verursachen.

3. Reinigen Sie die Zündkerze, wenn sie schmutzig ist.
4. Stellen Sie sicher, dass der Elektrodenabstand 0,5 mm beträgt.



5. Wenn es notwendig ist, ersetzen Sie die Zündkerze.



So führen Sie eine allgemeine Inspektion durch

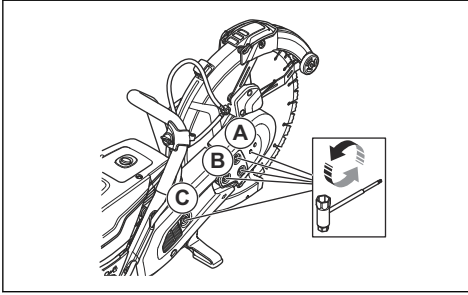
- Stellen Sie sicher, dass alle Muttern und Schrauben am Gerät richtig angezogen sind.

So ersetzen Sie den Treibriemen



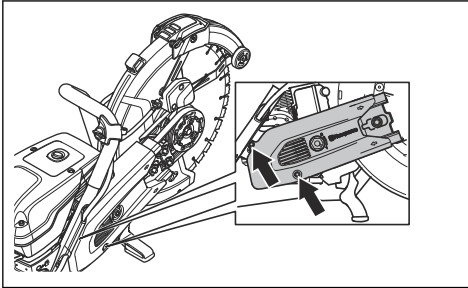
WARNUNG: Starten Sie das Gerät nicht, ohne dass alle Schutzvorrichtungen und Abdeckungen montiert sind.

1. Lösen Sie die Schraube (A).

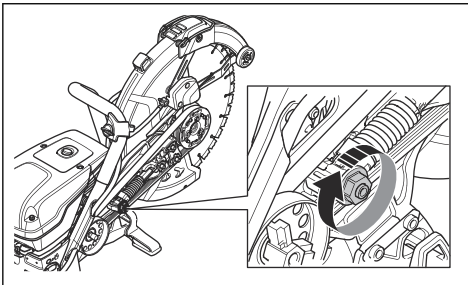


Hinweis: Dieser Schritt gilt nur für K 970 III 400mm/16in..

2. Lösen Sie die 3 Muttern am Schneidkopf (B), und drehen Sie den Riemenspanner (C) in Position „0“.
3. Entfernen Sie den vorderen Riemenschutz.
4. Entfernen Sie die 2 Schrauben am hinteren Riemenschutz. Entfernen Sie den hinteren Riemenschutz.



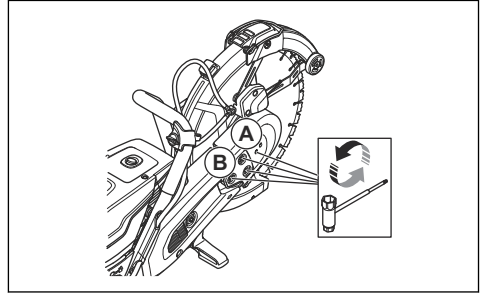
5. Ersetzen Sie den Treibriemen. Drehen Sie den Riemenspanner in Position „1“.



6. Installieren Sie die beiden Riemenschutzvorrichtungen in umgekehrter Reihenfolge.
7. Stellen Sie die Spannung des Treibriemens ein. Siehe *So stellen Sie die Spannung des Treibriemens ein* auf Seite 63.

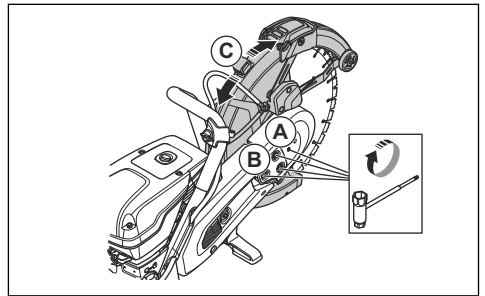
So stellen Sie die Spannung des Treibriemens ein

1. Lösen Sie die Schraube (A).



Hinweis: Dieser Schritt gilt nur für K 970 III 400mm/16in..

2. Lösen Sie die 3 Muttern (B).
3. Bewegen Sie den Trennscheibenschutz (C) 3-5 Mal nach oben und unten. Ziehen Sie die 3 Muttern (B) fest.



4. Ziehen Sie die Schraube (A) an.

Hinweis: Dieser Schritt gilt nur für K 970 III 400mm/16in..

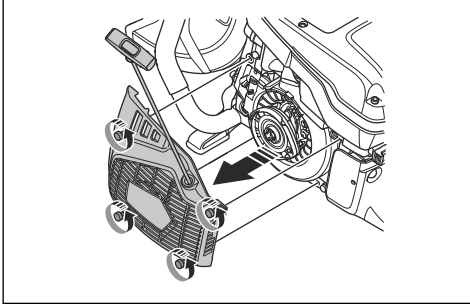
Startvorrichtungsgehäuse



WARNUNG: Seien Sie immer vorsichtig, und verwenden Sie immer einen Augenschutz, wenn Sie die Rückzugfeder oder das Startseil ersetzen. Die Rückzugfeder ist gespannt, wenn sie im Startvorrichtungsgehäuse aufgewickelt ist. Die Rückzugfeder kann herauspringen und Verletzungen verursachen.

So entfernen Sie das Startvorrichtungsgehäuse

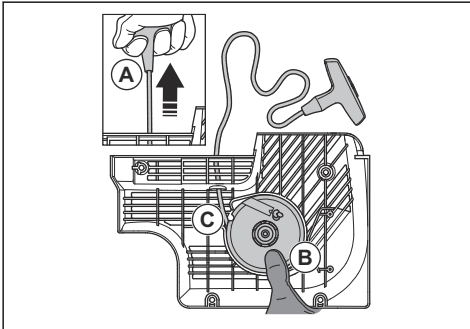
1. Lösen Sie die 4 Schrauben am Startvorrichtungsgehäuse.



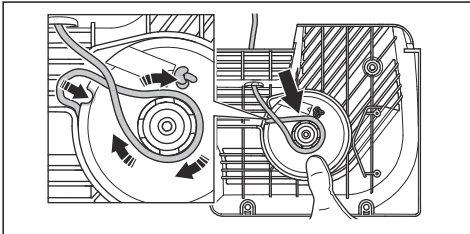
2. Entfernen Sie das Startvorrichtungsgehäuse.

So ersetzen Sie ein beschädigtes Startseil

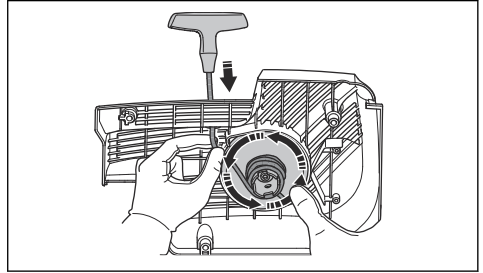
1. Ziehen Sie das Startseil ca. 30 cm heraus (A).



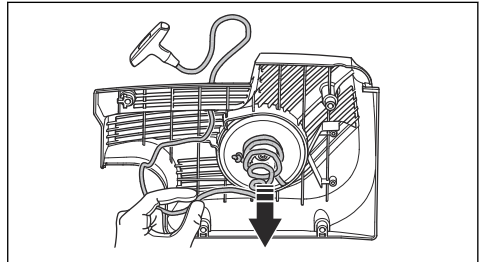
2. Halten Sie die Startseilrolle (B) mit dem Daumen.
3. Legen Sie das Starterseil in die Aussparung (C) an der Seilrolle.
4. Legen Sie das Startseil um die Metallhülse.



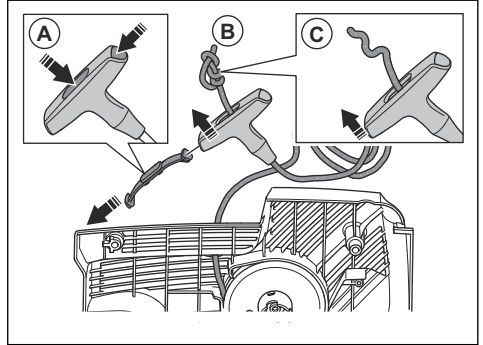
5. Lassen Sie die Seilrolle langsam drehen, damit das Starterseil auf der Metallhülse aufgewickelt wird.



6. Ziehen Sie am Startseil, um es von der Metallhülse zu lösen.

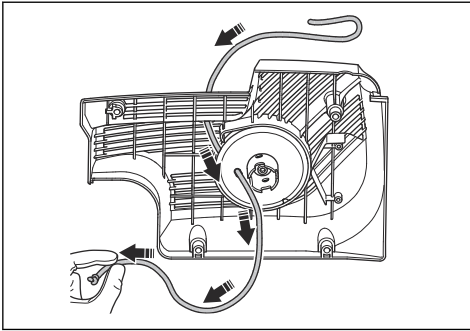


7. Entfernen Sie die Abdeckung am Startseilgriff (A).



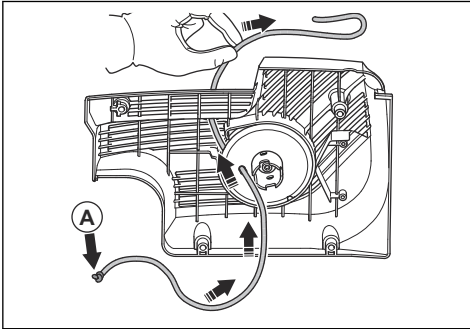
8. Ziehen Sie das Startseil durch den Handgriff (B).
9. Lösen Sie den Knoten (C).

10. Entfernen Sie das Starterseil.

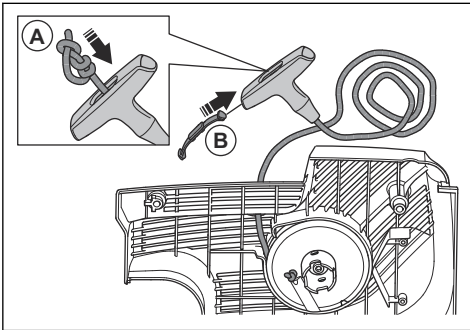


11. Prüfen Sie, ob die Rückzugfeder sauber und unbeschädigt ist.

12. Legen Sie ein neues Startseil (A) in das Loch im Startvorrichtungsgehäuse.



13. Ziehen Sie das Startseil durch den Startseilgriff, und machen Sie einen Knoten am Ende des Startseils (A).

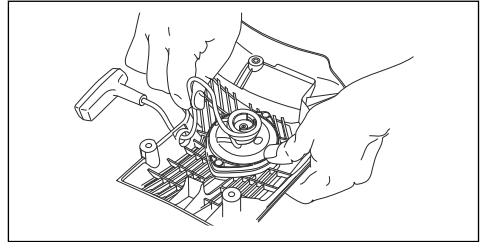


14. Befestigen Sie die Abdeckung am Startseilgriff (B).

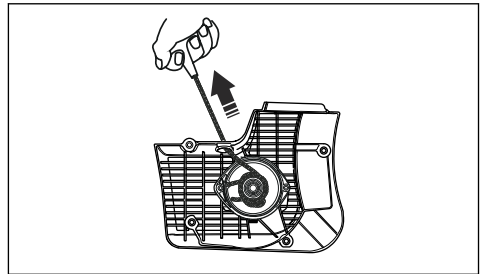
15. Stellen Sie die Spannung der Rückzugfeder ein. Siehe *So stellen Sie die Spannung der Rückzugfeder ein auf Seite 65*.

So stellen Sie die Spannung der Rückzugfeder ein

1. Führen Sie das Seil durch die Aussparung in der Seilrolle. Wickeln Sie das Seil 3 Umdrehungen im Uhrzeigersinn um die Mitte der Seilrolle.



2. Ziehen Sie den Startknopf, um die Spannung der Rückzugfeder einzustellen.
3. Führen Sie das Seil durch die Aussparung in der Seilrolle. Wickeln Sie das Seil 4 Umdrehungen im Uhrzeigersinn um die Mitte der Seilrolle.
4. Ziehen Sie den Startknopf, um die Spannung der Rückzugfeder einzustellen.



Hinweis: Der Startknopf bewegt sich in Position, nachdem die Spannung eingestellt wurde.

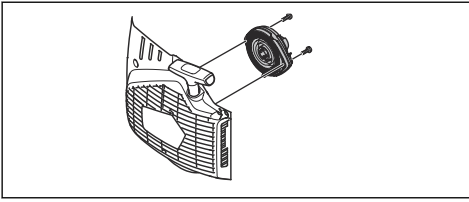
5. Ziehen Sie das Startseil vollständig heraus, und stellen Sie sicher, dass sich die Rückzugfeder nicht in ihrer Endposition befindet. Bremsen Sie die Seilrolle mit dem Daumen ab.
6. Achten Sie darauf, dass die Seilrolle um mindestens eine halbe Umdrehung gedreht werden kann, bevor die Rückzugfeder die Bewegungen stoppt.

So entfernen Sie die Federeinheit



WARNUNG: Tragen Sie immer einen Augenschutz, wenn Sie die Federeinheit entfernen. Es besteht das Risiko einer Augenverletzung, insbesondere wenn eine Feder gebrochen ist.

1. Entfernen Sie die 2 Schrauben an der Federeinheit.



2. Drücken Sie die 2 Halterungen an den Schnappverschlüssen mit einem Schraubendreher.

Federeinheit reinigen



ACHTUNG: Entfernen Sie die Feder nicht von der Einheit.

1. Blasen Sie die Feder mit Druckluft aus, bis sie sauber ist.
2. Tragen Sie ein leichtes Öl auf die Feder auf.

Federeinheit anbringen

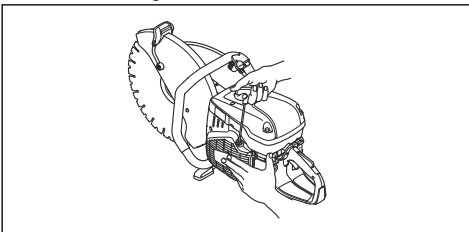
- Die Montage erfolgt in umgekehrter Reihenfolge von *So entfernen Sie die Federeinheit auf Seite 65.*

So installieren Sie das Startvorrichtungsgehäuse



ACHTUNG: Die Starterklinken müssen in die richtige Position gegen die Seilrollenhülse kommen.

1. Legen Sie das Startvorrichtungsgehäuse gegen das Gerät.
2. Ziehen Sie das Startseil langsam heraus, und lösen Sie es vorsichtig, bis die Seilrolle in die Starterklinken greift.



3. Ziehen Sie die 4 Schrauben am Startvorrichtungsgehäuse fest.

Vergaser überprüfen

Hinweis: Der Vergaser hat starre Nadeln, um sicherzustellen, dass das Gerät immer die richtige Mischung aus Kraftstoff und Luft erhält.

1. Überprüfen Sie den Luftfilter. Siehe *So warten Sie den Luftfilter auf Seite 67*
2. Wenn dies notwendig ist, ersetzen Sie den Luftfilter.
3. Wenn der Motor weiterhin an Leistung oder Drehzahl verliert, wenden Sie sich an Ihren Husqvarna Servicehändler.

Kraftstoffsystem überprüfen

1. Vergewissern Sie sich, dass der Kraftstofftankdeckel und seine Dichtung nicht beschädigt sind.
2. Überprüfen Sie den Kraftstoffschlauch. Ersetzen Sie den Kraftstoffschlauch bei Beschädigung.

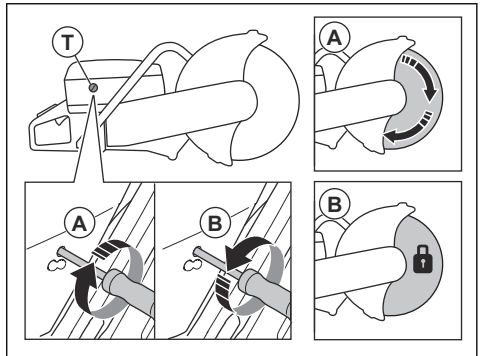
So stellen Sie die Leerlaufdrehzahl ein



WARNUNG: Wenn sich die Trennscheibe im Leerlauf dreht, wenden Sie sich an Ihren Servicehändler. Sie dürfen das Gerät nicht einsetzen, bis die Leerlaufdrehzahl korrekt eingestellt oder repariert wurde.

Hinweis: Informationen zur empfohlenen Leerlaufdrehzahl finden Sie unter *Technische Angaben auf Seite 69.*

1. Starten Sie den Motor.
2. Überprüfen Sie die Leerlaufdrehzahl. Bei richtig eingestelltem Vergaser stoppt die Trennscheibe, wenn der Motor im Leerlauf läuft.
3. Stellen Sie die Leerlaufdrehzahl mit der T-Schraube ein.



- a) Drehen Sie die Schraube im Uhrzeigersinn, bis die Trennscheibe sich zu drehen beginnt (A).
- b) Drehen Sie die Schraube gegen den Uhrzeigersinn, bis die Trennscheibe aufhört, sich zu drehen (B).

Kraftstofffilter

Der Kraftstofffilter sitzt im Kraftstofftank. Der Kraftstofffilter verhindert eine Verunreinigung des Kraftstofftanks, wenn der Kraftstofftank gefüllt ist. Der

Kraftstofffilter muss jährlich oder häufiger ausgetauscht werden, wenn er verstopft ist.



ACHTUNG: Reinigen Sie den Kraftstofffilter nicht.

So warten Sie den Luftfilter



ACHTUNG: Seien Sie vorsichtig, wenn Sie den Luftfilter entfernen. Partikel, die in den Vergasereinlass fallen, können zu Schäden führen.



ACHTUNG: Reinigen Sie den Luftfilter nicht. Der Luftfilter besteht aus Papier und kann leicht beschädigt werden.

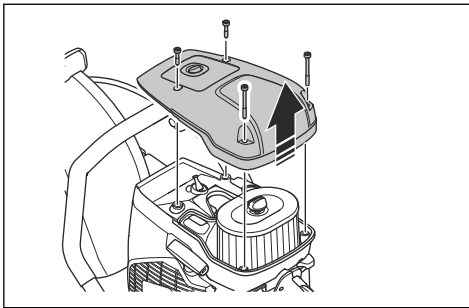


WARNUNG: Tragen Sie einen zugelassenen Atemschutz, wenn Sie den Luftfilter ersetzen. Der Staub im Luftfilter gefährdet Ihre Gesundheit. Entsorgen Sie gebrauchte Luftfilter ordnungsgemäß.

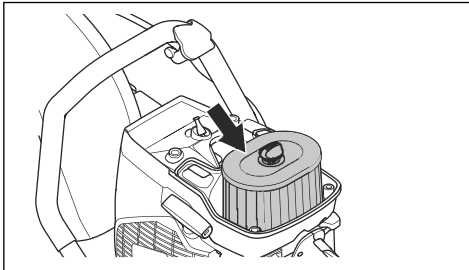
Hinweis: Ersetzen Sie den Luftfilter nur, wenn er beschädigt ist.

Prüfen Sie den Luftfilter, wenn die Motorleistung abnimmt.

1. Lösen Sie die 4 Schrauben am Luftfilterdeckel.
2. Entfernen Sie den Luftfilterdeckel.

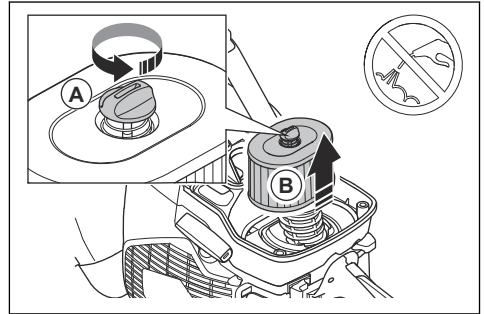


3. Überprüfen Sie den Luftfilter.



4. Ersetzen Sie beschädigte Luftfilter.

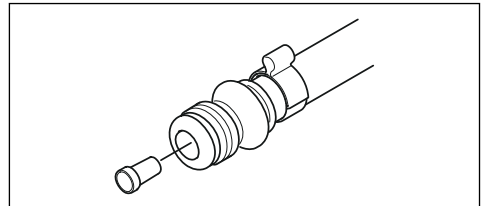
- a) Lösen Sie die Schraube (A), und entfernen Sie den Luftfilter (B).



- b) Montieren Sie den Luftfilter.
5. Setzen Sie den Luftfilterdeckel wieder ein.
 6. Ziehen Sie die 4 Schrauben an.

So überprüfen Sie das Wasserversorgungssystem

1. Überprüfen Sie die Düsen am Scheibenschutz, und stellen Sie sicher, dass sie nicht verstopft sind.
2. Reinigen Sie diese bei Bedarf.
3. Überprüfen Sie den Filter am Wasseranschluss. Vergewissern Sie sich, dass er nicht verstopft ist.
4. Reinigen Sie ihn bei Bedarf.



Fehlerbehebung

Problem	Ursache	Mögliche Abhilfe
Das Gerät springt nicht an.	Der Startvorgang wird nicht ordnungsgemäß durchgeführt.	Siehe <i>So starten Sie das Gerät bei kaltem Motor auf Seite 58</i> und <i>So starten Sie das Gerät bei warmem Motor auf Seite 59</i> .
	Der Stopp-Schalter befindet sich in der rechten Position (STOP).	Stellen Sie sicher, dass sich der Stopp-Schalter (STOP) in der linken Position befindet.
	Kein Kraftstoff im Kraftstofftank.	Kraftstoff einfüllen.
	Die Zündkerze ist defekt.	Die Zündkerze ersetzen.
	Die Kupplung ist defekt.	An die Servicewerkstatt wenden.
Die Trennscheibe dreht sich im Leerlauf.	Die Motordrehzahl ist zu hoch.	Die Leerlaufdrehzahl einstellen.
	Die Kupplung ist defekt.	An die Servicewerkstatt wenden.
Die Trennscheibe dreht sich nicht, wenn der Bediener Gas gibt.	Der Riemen ist zu locker oder defekt.	Den Riemen spannen oder durch einen neuen ersetzen.
	Die Kupplung ist defekt.	An die Servicewerkstatt wenden.
	Die Trennscheibe ist falsch installiert.	Sicherstellen, dass die Trennscheibe richtig installiert ist.
Das Gerät hat keine Leistung, wenn der Bediener versucht, Gas zu geben.	Der Luftfilter ist verstopft.	Den Luftfilter überprüfen. Diesen ggf. austauschen.
	Der Kraftstofffilter ist verstopft.	Den Kraftstofffilter ersetzen.
	Der Kraftstofftankfluss ist blockiert.	An die Servicewerkstatt wenden.
Die Vibrationen sind zu stark.	Die Trennscheibe ist falsch installiert.	Sicherstellen, dass die Trennscheibe ordnungsgemäß installiert und unbeschädigt ist. Siehe <i>So installieren Sie die Trennscheibe auf Seite 50</i> .
	Die Trennscheibe ist defekt.	Die Trennscheibe ersetzen und sicherstellen, dass sie nicht defekt ist.
	Eine Antivibrationseinheit ist defekt.	An die Servicewerkstatt wenden.
Die Temperatur des Geräts ist zu hoch.	Der Lufteinlass oder die Zylinderflansche sind blockiert.	Den Lufteinlass und die Zylinderflansche reinigen.
	Die Treibriemenspannung ist nicht ausreichend.	Den Riemen prüfen. Die Spannung einstellen.
	Die Kupplung ist defekt.	
		Die Kupplung prüfen. An die Servicewerkstatt wenden.
Die Leistung oder die Drehzahl des Motors fällt ab.	Der Luftfilter ist verstopft.	Den Luftfilter überprüfen. Siehe <i>So warten Sie den Luftfilter auf Seite 67</i> .

Problem	Ursache	Mögliche Abhilfe
Während des Betriebs wird viel Staub produziert. Sie können Staub in der Luft sehen.	Die Wasserversorgung oder der Wasserdruck ist nicht ausreichend.	Die Wasserversorgung des Geräts überprüfen.
		Siehe <i>So überprüfen Sie das Wasserversorgungssystem auf Seite 67.</i>
Der SmartGuard bewegt sich nicht frei.	Die beweglichen Teile des SmartGuard sind verstopft.	Die beweglichen Teile reinigen.
Der SmartGuard fährt nicht zurück, wenn das Gerät vom Werkstück entfernt wird.	Die Federn des SmartGuard funktionieren nicht einwandfrei.	Die Federn überprüfen. Die Federn reinigen.

Transport, Lagerung und Entsorgung

Transport und Lagerung

- Sichern Sie das Gerät während des Transports, um Schäden und Unfälle zu vermeiden.
- Entfernen Sie die Trennscheibe vor dem Transportieren oder Lagern des Geräts.
- Bewahren Sie das Gerät in einem verschlossenen Bereich auf, um einen unerlaubten Zugriff durch Kinder oder andere Personen zu verhindern.
- Lagern Sie die Trennscheiben trocken und frostgeschützt.
- Untersuchen Sie alle neuen und gebrauchten Trennscheiben vor der Montage auf Transport- und Lagerschäden.

- Reinigen und warten Sie das Gerät vor der Lagerung. Siehe *Wartungsplan auf Seite 61.*
- Leeren Sie den Kraftstofftank vor langer Lagerung.

Entsorgung

- Befolgen Sie die örtlichen Recyclinganforderungen und geltenden Vorschriften.
- Entsorgen Sie alle Chemikalien, z. B. Öl oder Kraftstoff, in einer Servicewerkstatt oder in einer geeigneten Abfallentsorgungsstelle.
- Wenn Sie das Produkt nicht mehr benutzen, senden Sie es an einen Husqvarna-Händler, oder entsorgen Sie es in einer Wiederverwertungsanlage.

Technische Angaben

Technische Daten

	K 970 III, K 970 III Rescue	K 970 SmartGuard
Hubraum, cm ³ /Zoll ³	93,6/5,7	93,6/5,7
Bohrung, mm/Zoll	56/2,2	56/2,2
Verfahrweg, mm/Zoll	38/1,5	38/1,5
Leerlaufdrehzahl, U/min	2700	2700
Vollständig geöffneter Gashebel, keine Last, U/min	9300 (+/-150)	9300 (+/-150)
Leistung, kW/PS bei U/min	4,8/6,5 bei 9000	4,8/6,5 bei 9000
Zündkerze	NGK BPMR 7A	NGK BPMR 7A
Elektrodenabstand, mm/Zoll	0,5/0,02	0,5/0,02
Füllmenge Kraftstofftank, l/US fl oz	1/33,8	1/33,8
Empfohlener Wasserdruck, bar/PSI	0,5-10/7-150	0,5-10/7-150
Gewicht		

	K 970 III, K 970 III Rescue	K 970 SmartGuard
Trennschleifer ohne Kraftstoff und Trennscheibe, 350 mm (14 Zoll), kg/lb* *Rescue-Tragegurt, zusätzlich 0,4 kg/0,9lb.	11,0/24,3	11,9/26,2
Trennschleifer ohne Kraftstoff und Trennscheibe, 400 mm (16 Zoll), kg/lb	11,6/24,6	N/A
Spindel, Abtriebswelle		
Max. Spindeldrehzahl mit Trennscheibe, 350 mm (14 Zoll), U/min	4700	4700
Max. Spindeldrehzahl mit Trennscheibe, 400 mm (16 Zoll), U/min	4300	N/A
Max. Umfangsgeschwindigkeit m/s oder ft/min	90 oder 18000	90 oder 18000
Geräuschemissionen		
Gemessener Schalleistungspegel dB (A)	114	114
Schalleistungspegel, garantiert $L_{WA}dB$ (A) ⁴	115	115
Äquivalenter Schalldruckpegel am Ohr des Bedieners, dB (A) ⁵	104	104
Äquivalente Vibrationspegel, a_{hveq}⁶		
Vorderer/hinterer Griff 350 mm (14 Zoll), m/s ²	3,8/4,2	4,5/3,7
Vorderer/hinterer Griff 400 mm (16 Zoll), m/s ²	3,5/4,0	N/A

Empfohlene Abmessungen für Trennscheiben

Durchmesser der Trennscheibe, mm/Zoll	Max. Schnitttiefe, mm/Zoll	Nenn Drehzahl der Trennscheibe, U/min	Nenn geschwindigkeit der Trennscheibe, m/s oder ft/min	Durchmesser der Trennscheiben-Mittelbohrung, mm/Zoll	Max. Dicke der Trennscheibe, mm/Zoll
350/14	125/5	5500	100 oder 19600	25,4/1 oder 20/0,79	5/0,2
400/16	155/6	4775	100 oder 19600	25,4/1 oder 20/0,79	5/0,2

Konformitätserklärung für Geräusche und Vibrationen

Diese erklärten Werte wurden in Laborversuchen in Übereinstimmung mit der aufgeführten Richtlinie oder Norm ermittelt und eignen sich für einen Vergleich mit Wertdeklarationen anderer Produkte, die nach der gleichen Richtlinie bzw. Norm geprüft wurden. Diese

Wertdeklarationen eignen sich nicht zur Verwendung in Risikobewertungen, zudem können die an einzelnen Arbeitsplätzen gemessenen Werte höher sein. Die tatsächlichen Belastungswerte und das Gefährdungsrisiko eines individuellen Benutzers sind immer spezifisch und davon abhängig, wie der Benutzer arbeitet, in welchem Material das Produkt eingesetzt wird, sowie von der Belastungszeit, dem

⁴ Umweltbelastende Geräuschemission werden gemessen als Schalleistung (L_{WA}) gemäß Richtlinie 2000/14/EC. Die Differenz zwischen garantiertem und gemessenem Schalleistungspegel besteht darin, dass beim garantierten Schalleistungspegel eine Streuung im Messergebnis und Variationen zwischen verschiedenen Einheiten des gleichen Geräts gemäß der Richtlinie 2000/14/EC berücksichtigt werden.

⁵ Äquivalenter Schalldruckpegel, nach EN ISO-Norm ISO 19432, wird berechnet als die zeitgewichtete energetische Summe der Schalldruckpegel bei verschiedenen Betriebsarten. Berichten zufolge liegt der Schalldruckpegel für dieses Gerät normalerweise bei einer Ausbreitungsklasse (Standardabweichung) von 1 dB (A).

⁶ Äquivalenter Vibrationspegel, nach der EN ISO-Norm ISO 19432, wird berechnet als die zeitgewichtete energetische Summe der Vibrationspegel bei verschiedenen Betriebsarten. Berichten zufolge liegt der äquivalente Vibrationspegel normalerweise bei einer Ausbreitungsklasse (Standardabweichung) von $1m/s^2$.

Gesundheitszustand des Benutzers und dem Gerätezustand.

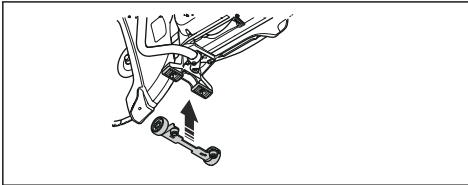
Zubehör

Sensor für Husqvarna Fleet Services™

Dieses Gerät ist kompatibel mit dem Husqvarna-Flottenmaschinensensor. Das Gerät kann dann mit Husqvarna Fleet Services™ verbunden werden, einer Cloud-Lösung, durch die der Flottenmanager bei kommerzieller Anwendung eine Übersicht über alle Geräte erhält. Hier erfahren Sie mehr über Husqvarna Fleet Services™, siehe www.husqvarna.com.

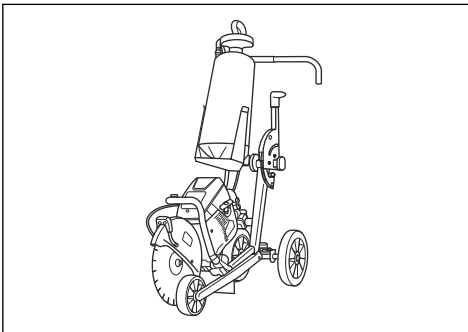
Radsatz

Der Radsatz wird unten am Gerät angebracht.



Führungswagen

Ein Führungswagen erleichtert Schneidarbeiten in Böden und Straßenbelägen, vor allem bei langen Schnitten in einer bestimmten Tiefe. Dank Schnellbefestigungen kann der Trennschleifer leicht am Führungswagen installiert werden.



EU-Konformitätserklärung

EU-Konformitätserklärung

Die **Husqvarna AB**, SE-561 82 Huskvarna, Schweden,
Tel.: +46-36-146500, erklärt in alleiniger Verantwortung,
dass das Gerät:

Beschreibung	Tragbare Schneidmaschine
Marke	Husqvarna
Typ/Modell	K 970 III, K 970 III Rescue, K 970 SmartGuard
Identifizierung	Seriennummern ab 2020

die folgenden EU-Richtlinien und -Vorschriften erfüllt:

Richtlinie/Vorschrift	Beschreibung
2006/42/EC	„Maschinenrichtlinie“
2000/14/EC	„Richtlinie über umweltbelastende Geräuschemissionen“
2014/30/EU	„EMV-Richtlinie“
2011/65/EU	„Richtlinie zur Beschränkung der Verwendung bestimmter gefährlicher Stoffe“

und dass die folgenden harmonisierten Normen und/oder technischen Daten angewendet werden;

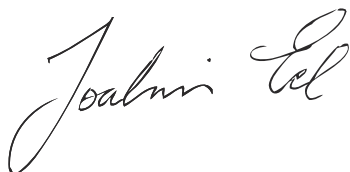
EN ISO 12100:2010, EN ISO 19432:2012, EN ISO 19432-1:2020

EN 55012:2008+A1:2009, EN ISO 14982:2009

RISE SMP Svensk Maskinprovning AB, Box 7035, SE-750 07 Uppsala, Schweden, hat die freiwillige Typenprüfung gemäß der Maschinenrichtlinie (2006/42/EG) ausgeführt. Zertifikatsnummer: SEC/10/2286

Benannte Stelle: 0404, RISE SMP Svensk Maskinprovning AB, Box 7035, SE-750 07 Uppsala, Schweden, hat die Konformität mit der Richtlinie des Rates 2000/14/EG, Anhang V, zertifiziert. Zertifikatsnummer: 01/169/036. Informationen zu Geräuschemissionen finden Sie im Kapitel mit den technischen Daten.

Partille, 2020-04-14



Joakim Ed

Vice President, Concrete Sawing, Drilling & Light Demolition

Husqvarna AB, Construction Division

Verantwortlich für die technische Dokumentation

Sommaire

Introduction.....	73	Dépannage.....	104
Sécurité.....	77	Transport, entreposage et mise au rebut.....	105
Montage.....	83	Caractéristiques techniques.....	106
Utilisation.....	89	Accessoires.....	107
Entretien.....	97	Déclaration de conformité CE.....	108

Introduction

Description du produit

Ces découpeuses Husqvarna K 970 III, K 970 III Rescue et K 970 SmartGuard sont des machines de coupe portatives alimentées par des moteurs à combustion deux temps.

Utilisation prévue

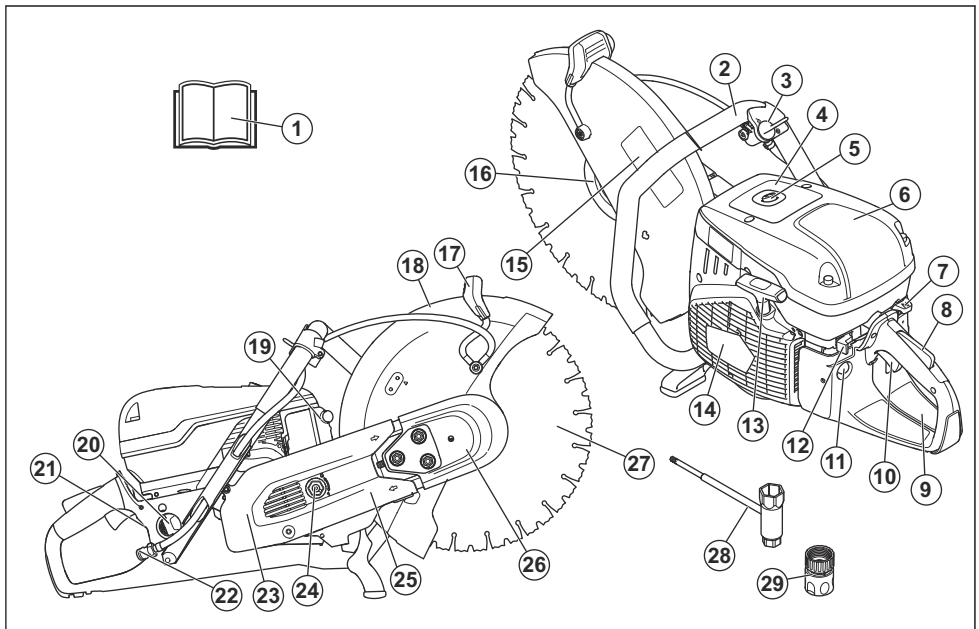
Le produit sert à découper des matériaux durs comme le béton, la brique, la pierre et l'acier. N'utilisez pas ce produit pour d'autres travaux. Le produit doit être utilisé

uniquement par des opérateurs professionnels ayant de l'expérience.

Nous travaillons en permanence à l'amélioration de votre sécurité et de votre efficacité pendant l'utilisation. Pour davantage d'informations, contactez votre atelier d'entretien.

Remarque: Les législations nationales ou locales peuvent limiter l'utilisation de ce produit.

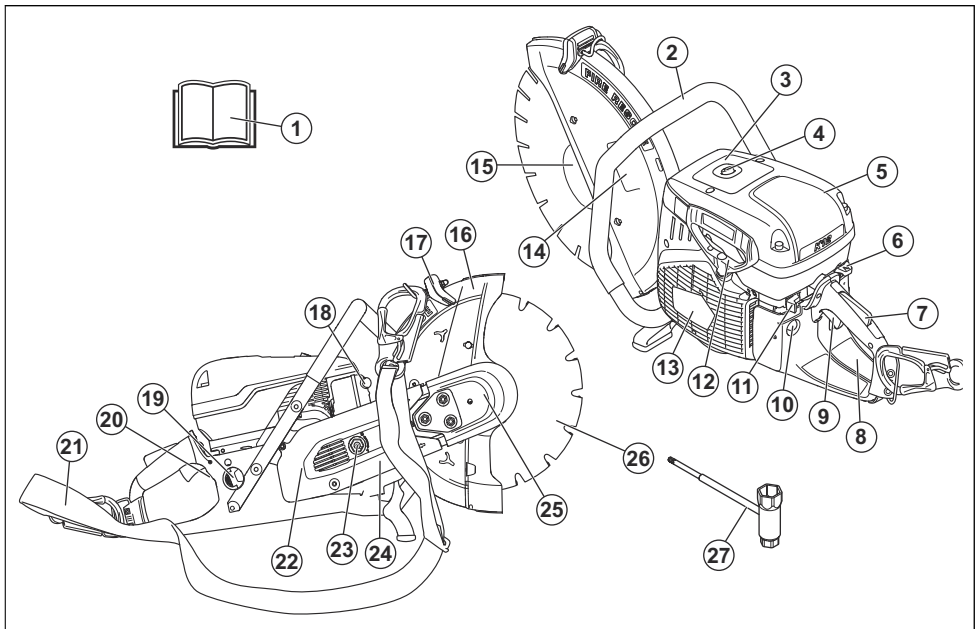
Présentation du produit K 970 III



- | | |
|---|--|
| 1. Manuel de l'opérateur | 5. Vis de tendeur de chaîne |
| 2. Poignée avant | 6. Couvercle de filtre à air |
| 3. Robinet d'eau | 7. Starter |
| 4. Autocollant d'information et d'avertissement | 8. Blocage de la gâchette d'accélération |

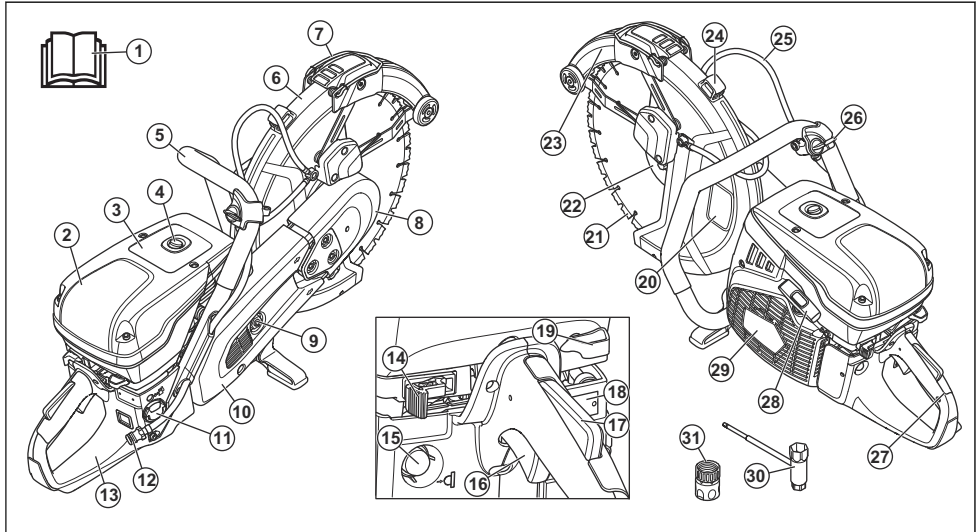
- 9. Autocollant des instructions de démarrage
- 10. Gâchette d'accélération
- 11. Poire de la pompe à carburant
- 12. Bouton d'arrêt
- 13. Poignée du câble du démarreur
- 14. Corps du lanceur
- 15. Autocollant de l'équipement de coupe
- 16. Bride, tige, bague d'arbre
- 17. Poignée de réglage du protège-lame
- 18. Protège-disque
- 19. Silencieux
- 20. Bouchon du réservoir d'essence
- 21. Plaque d'identification
- 22. Raccord d'eau avec filtre
- 23. Carter de la courroie
- 24. Tendeur de courroie
- 25. Bras de coupe
- 26. Unité de coupe
- 27. Lame de coupe (non fournie)
- 28. Clé mixte
- 29. Raccord d'eau, GARDENA®

Présentation du produit K 970 III Rescue



- 1. Manuel de l'opérateur
- 2. Poignée avant
- 3. Autocollant d'information et d'avertissement
- 4. Vis de tendeur de chaîne
- 5. Couvercle de filtre à air
- 6. Starter
- 7. Blocage de la gâchette d'accélération
- 8. Autocollant des instructions de démarrage
- 9. Gâchette d'accélération
- 10. Poire de la pompe à carburant
- 11. Bouton d'arrêt
- 12. Poignée du câble du démarreur
- 13. Corps du lanceur
- 14. Autocollant de l'équipement de coupe
- 15. Bride, tige, bague d'arbre
- 16. Protège-disque
- 17. Poignée de réglage du protège-lame
- 18. Silencieux
- 19. Bouchon du réservoir d'essence
- 20. Plaque d'identification
- 21. Bretelle de portage
- 22. Carter de la courroie
- 23. Tendeur de courroie
- 24. Bras de coupe
- 25. Unité de coupe
- 26. Lame de coupe (non fournie)
- 27. Clé mixte

Présentation du produit K 970 SmartGuard



1. Manuel de l'opérateur
2. Couvercle de filtre à air
3. Autocollant d'information et d'avertissement
4. Vis de tendeur de chaîne
5. Poignée avant
6. Protège-disque
7. Poignée SmartGuard
8. Unité de coupe
9. Tendeur de courroie
10. Bras de coupe
11. Bouchon du réservoir d'essence
12. Raccord d'eau avec filtre
13. Autocollant des instructions de démarrage
14. Bouton d'arrêt
15. Poire de la pompe à carburant
16. Gâchette d'accélération
17. Blocage de la gâchette d'accélération
18. Plaque d'identification
19. Starter
20. Autocollant de l'équipement de coupe
21. Lame de coupe (non fournie)
22. Bride, tige, bague d'arbre
23. SmartGuard
24. Poignée de réglage du protège-lame
25. Tuyau d'arrosage
26. Robinet d'eau
27. Poignée arrière
28. Poignée du câble du démarreur
29. Corps du lanceur

30. Clé mixte
31. Raccord de l'eau GARDENA®

Symboles concernant le produit



AVERTISSEMENT : ce produit peut être dangereux et causer des blessures graves, voire mortelles, à l'opérateur ou à d'autres personnes. Soyez prudent et utilisez le produit correctement.



Lisez le manuel d'utilisation et assurez-vous de bien comprendre les instructions avant d'utiliser ce produit.



Utilisez un casque de protection, des protège-oreilles, des protections pour les yeux et une protection respiratoire homologués. Reportez-vous à la section *Équipement de protection individuel à la page 79*.



Ce produit est conforme aux directives CE en vigueur.



De la poussière se forme lors de la découpe. La poussière peut occasionner des lésions si elle est inhalée. Portez une protection respiratoire homologuée. Évitez d'inhaler les gaz d'échappement. Veillez à disposer d'une bonne ventilation.



AVERTISSEMENT ! Les rebonds peuvent être soudains, rapides et violents et peuvent générer des blessures pouvant être mortelles. Lisez et assimilez les instructions du manuel avant d'utiliser le produit. Reportez-vous à la section *Rebond* à la page 89.



Les étincelles provenant de la lame de coupe peuvent enflammer du carburant, des bois, des vêtements, de l'herbe sèche ou d'autres matériaux inflammables.



Assurez-vous que la lame de coupe ne présente aucune trace de fissures ou de dommages.



N'utilisez pas de lames d'éclaircissage.



Starter



Poire de la pompe à carburant



Vis de tendeur de chaîne



Poignée du câble du démarreur

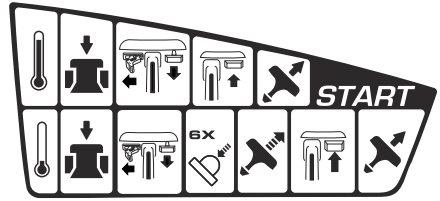


Utilisez un carburant à base d'essence et d'huile.



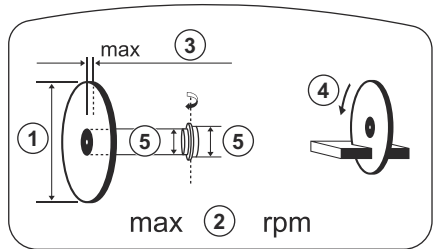
Émissions sonores dans l'environnement conformes aux directives CE en vigueur. Les émissions sonores de ce produit sont spécifiées dans la section *Équipement de protection individuel* à la page 79 et sur l'étiquette.

Autocollant des instructions de démarrage



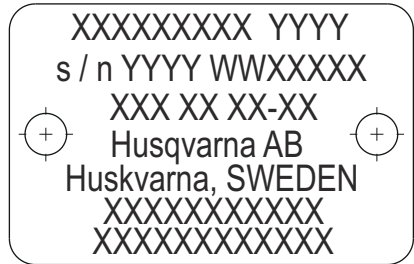
Reportez-vous aux sections *Démarrage du produit lorsque le moteur est froid* à la page 94 et *Démarrage du produit lorsque le moteur est chaud* à la page 96 pour connaître les instructions.

Autocollant de l'équipement de coupe



1. Diamètre du disque découpeur
2. Régime max. de l'arbre de sortie
3. Épaisseur max. de la lame
4. Sens de rotation
5. Dimensions de la bague

Plaque d'identification



Rangée 1 : Marque, modèle (X, Y)

Rangée 2 : N° de série avec date de fabrication (Y, W, X) : Année, semaine, n° de séquence

Rangée 3 : N° de produit (X)

Rangée 4 : Fabricant

Rangée 5 : Adresse du fabricant

Remarque: les autres symboles/autocollants présents sur le produit concernent des exigences de certification spécifiques à certains marchés.

Lignes 6-7 : Homologation de type UE ou numéro MEIN chinois

Émissions Euro V



AVERTISSEMENT: toute altération du moteur a pour effet d'annuler l'homologation de type UE de ce produit.

Responsabilité

Conformément à la loi sur la responsabilité du fait des produits, nous déclinons toute responsabilité pour tout dommage causé par notre produit si :

- le produit n'est pas correctement réparé ;
- le produit est réparé avec des pièces qui ne proviennent pas du fabricant ou qui ne sont pas homologuées par le fabricant ;
- le produit est équipé d'un accessoire qui ne provient pas du fabricant ou qui n'est pas homologué par le fabricant ;
- le produit n'est pas réparé par un centre d'entretien agréé ou par une autorité homologuée.

Sécurité

Définitions de sécurité

Des avertissements, des recommandations et des remarques sont utilisés pour souligner des parties spécialement importantes du manuel.



AVERTISSEMENT: Symbole utilisé en cas de risque de blessures ou de mort pour l'opérateur ou les personnes à proximité si les instructions du manuel ne sont pas respectées.



REMARQUE: Symbole utilisé en cas de risque de dommages pour le produit, d'autres matériaux ou les environs si les instructions du manuel ne sont pas respectées.

Remarque: Symbole utilisé pour donner des informations supplémentaires pour une situation donnée.

Instructions générales de sécurité



AVERTISSEMENT: Lisez les instructions qui suivent avant d'utiliser le produit.

- Une découpeuse utilisée de manière erronée ou négligente peut être un outil dangereux pouvant occasionner des blessures graves, voire mortelles. Il importe donc de lire attentivement et de bien assimiler le contenu de ce manuel d'utilisation. Il est également recommandé aux nouveaux opérateurs d'obtenir également des instructions pratiques avant d'utiliser le produit.
- Ne modifiez pas ce produit. Les modifications apportées au produit qui ne sont pas approuvées par le fabricant peuvent causer des blessures graves, voire mortelles.
- N'utilisez pas le produit s'il est susceptible d'avoir été modifié par d'autres personnes.

- Utilisez toujours les accessoires et les pièces de rechange d'origine. Les accessoires et les pièces de rechange qui ne sont pas approuvés par le fabricant peuvent causer des blessures graves, voire mortelles.
- Maintenez le produit propre. Assurez-vous que vous pouvez lire clairement les avertissements et les autocollants.
- Ne laissez jamais d'enfants ou d'autres personnes ne possédant pas la formation requise utiliser ou entretenir le produit.
- Ne laissez personne utiliser le produit avant d'avoir lu et compris le contenu du manuel de l'opérateur.
- Seules les personnes autorisées peuvent utiliser le produit.
- Ce produit génère un champ électromagnétique durant son fonctionnement. Ce champ peut dans certaines circonstances perturber le fonctionnement d'implants médicaux actifs ou passifs. Pour réduire le risque de blessures graves ou mortelles, nous recommandons aux personnes portant des implants médicaux de consulter leur médecin et le fabricant de leur implant avant d'utiliser cet appareil.
- Les informations contenues dans ce manuel d'utilisation ne remplacent pas l'expérience et le savoir-faire d'un professionnel. En cas de doute ou de difficulté quant à l'utilisation de la machine, consultez un spécialiste. Contactez votre atelier d'entretien. L'utilisateur ne doit pas essayer d'utiliser la machine s'il ne se sent pas suffisamment qualifié pour le travail à effectuer.

Instructions de sécurité pour le fonctionnement



AVERTISSEMENT: Lisez les instructions qui suivent avant d'utiliser le produit.

- Avant d'utiliser la découpeuse, il convient de comprendre le phénomène de rebond et de savoir

comment l'éviter. Reportez-vous à la section *Rebond à la page 89*.

- Effectuez les contrôles de sécurité, d'entretien et d'opération indiqués dans ce manuel d'utilisation. Quelques opérations d'entretien et de réparation doivent être effectuées par un centre de service agréé. Reportez-vous à la section *Introduction à la page 97*.
- N'utilisez pas le produit si celui-ci est défectueux.
- N'utilisez jamais l'appareil si vous êtes fatigué ou malade, ou si vous êtes sous l'emprise d'alcool, de drogues ou de médicaments. Ces conditions sont susceptibles d'avoir des effets indésirables sur votre vue, votre vigilance, votre coordination ou votre jugement.
- Ne démarrez pas la machine sans avoir monté la courroie et le carter de la courroie. L'embrayage peut se desserrer et causer des blessures.
- Les étincelles provoquées par la lame de coupe peuvent embraser les matériaux inflammables tels que l'essence, le bois, le tissu et l'herbe sèche.
- Ne découpez pas d'amiante.

Sécurité dans l'espace de travail



AVERTISSEMENT: Lisez les instructions qui suivent avant d'utiliser le produit.

- La distance de sécurité de la découpeuse est de 15 m/50 pi. Assurez-vous que des animaux et des personnes situées à proximité ne se trouvent pas dans la zone de travail.
- N'utilisez pas le produit sans avoir le champ libre et sans avoir vos pieds et votre corps en position stable.
- Identifiez les éventuels personnes, objets et situations susceptibles de nuire à la sécurité du fonctionnement du produit.
- Assurez-vous qu'aucune personne ou qu'aucun objet ne peut se trouver en contact avec l'équipement de coupe ou être touché par des pièces projetées par la lame.
- N'utilisez pas le produit en cas de brouillard, pluie, vents violents, risque de foudre ou autres conditions climatiques. L'utilisation du produit en cas de mauvaises conditions météorologiques peut altérer votre vigilance. Le mauvais temps peut rendre les conditions de travail dangereuses : des surfaces peuvent par exemple devenir glissantes.
- Lors de l'utilisation du produit, assurez-vous qu'aucun matériau ne risque de se détacher, de tomber et de blesser l'opérateur.
- Soyez très prudent lors de l'utilisation du produit sur une pente.
- Veillez à ce que la zone de travail reste propre et bien éclairée.
- Avant d'utiliser le produit, vérifiez s'il existe des dangers cachés tels que la présence de câbles

électriques, de conduites d'eau et de gaz et de substances inflammables dans la zone de travail. Si le produit heurte un objet caché, arrêtez immédiatement le moteur et examinez le produit et l'objet. Ne redémarrez pas le produit avant d'être sûr qu'il fonctionne en toute sécurité.

- Avant de découper un tambour, un tuyau ou un autre conteneur, assurez-vous qu'il ne contient pas d'objets inflammables ou d'autres matériaux susceptibles de provoquer un incendie ou une explosion.

Précautions relatives aux vibrations



AVERTISSEMENT: Lisez les instructions qui suivent avant d'utiliser le produit.

- Au cours de l'utilisation du produit, des vibrations sont ressenties entre le produit et l'opérateur. Un fonctionnement régulier et fréquent du produit peut blesser ou augmenter le risque de blessures graves chez l'opérateur. Des blessures peuvent se produire au niveau des doigts, des mains, des poignets, des bras, des épaules, et/ou des nerfs et des organes d'irrigation sanguine, ou d'autres parties du corps. Les blessures peuvent être invalidantes et/ou permanentes et peuvent augmenter progressivement pendant des semaines, des mois ou des années. Des dommages peuvent également être provoqués au niveau du système de circulation sanguine, du système nerveux, des articulations et d'autres parties du corps.
- Des symptômes peuvent se produire pendant le fonctionnement du produit ou à un autre moment. Si vous avez des symptômes et que vous continuez d'utiliser le produit, ceux-ci peuvent augmenter ou devenir permanents. Si l'un de ces symptômes ou d'autres symptômes se produisent, consultez un médecin :
 - engourdissement, perte de sensibilité, fourmillements, picotements, douleur, brûlure, palpitations, raideur, maladresse, faiblesse musculaire, changement de pigmentation de la peau ou de l'état physique.
- Les symptômes peuvent augmenter par temps froid. Utilisez des vêtements chauds et gardez les mains au chaud et au sec lorsque vous faites fonctionner le produit dans un environnement froid.
- Procédez à l'entretien et utilisez le produit comme indiqué dans le manuel d'utilisation afin de maintenir un bon niveau de vibrations.
- Le produit est doté d'un système anti-vibrations qui réduit les vibrations entre les poignées et l'opérateur. Laissez le produit faire le travail. N'appuyez pas fortement sur le produit. Tenez légèrement le produit au niveau des poignées, mais assurez-vous que vous pouvez le contrôler et l'utiliser en toute sécurité. Ne poussez pas les poignées dans les butées plus que nécessaire.

- Gardez uniquement les mains sur la ou les poignées. Éloignez toutes les autres parties du corps du produit.
- Arrêtez le produit immédiatement si de fortes vibrations se produisent soudainement. Ne poursuivez pas l'opération avant que la cause de l'augmentation des vibrations ait été supprimée.
- La découpe du granit ou du béton dur provoque plus de vibrations dans le produit que lors de la découpe de béton tendre. Un équipement de coupe émoussé, défectueux, de type incorrect ou mal affûté augmente le niveau de vibrations
- Maladies pulmonaires mortelles telles que la bronchite chronique, la silicose et la fibrose pulmonaire
- Cancer
- Anomalies congénitales
- Inflammation de la peau.
- Utilisez un équipement adapté permettant de réduire la quantité de poussière et de fumées dans l'air et de diminuer la poussière présente sur les équipements de travail, les surfaces, les vêtements et les parties du corps. Par exemple, des systèmes de collecte de la poussière et des pulvérisateurs d'eau permettant de capter la poussière. Réduisez la quantité de poussière au niveau de la source, dans la mesure du possible. Assurez-vous que l'équipement est correctement installé et utilisé, et qu'un entretien régulier est effectué.

Sécurité relative aux gaz d'échappement



AVERTISSEMENT: Lisez les instructions qui suivent avant d'utiliser le produit.

- Les gaz d'échappement du moteur contiennent du monoxyde de carbone, un gaz inodore, toxique et très dangereux. Respirer du monoxyde de carbone peut être mortel. Le monoxyde de carbone est inodore et invisible ; il est impossible de le sentir. Le monoxyde de carbone provoque des symptômes d'intoxication, notamment des vertiges, mais il est possible qu'une personne devienne rapidement inconsciente si la quantité ou la concentration de monoxyde de carbone est suffisante.
- Les gaz d'échappement contiennent également des hydrocarbures non brûlés, dont du benzène. À long terme, l'inhalation des gaz d'échappement peut entraîner des problèmes de santé.
- Les gaz d'échappement pouvant être vus ou sentis contiennent également du monoxyde de carbone.
- N'utilisez pas un produit doté d'un moteur à combustion à l'intérieur ou dans les zones insuffisamment ventilées.
- Ne respirez pas les gaz d'échappement.
- Assurez-vous que la zone de travail est suffisamment ventilée. Ceci est particulièrement important lorsque vous utilisez le produit dans des tranchées ou d'autres petites zones de travail, où les gaz d'échappement peuvent facilement s'accumuler.

Sécurité antipoussière



AVERTISSEMENT: Lisez les instructions qui suivent avant d'utiliser le produit.

- Le fonctionnement du produit peut entraîner de la poussière dans l'air. La poussière peut provoquer des blessures graves et des problèmes de santé permanents. Plusieurs autorités classent la poussière de silice parmi les poussières dangereuses. Quelques exemples de problèmes de santé pouvant être causés :



AVERTISSEMENT: Lisez les instructions qui suivent avant d'utiliser le produit.

- Portez toujours un équipement de protection individuel homologué pendant le fonctionnement. L'équipement de protection individuelle n'élimine pas les risques mais réduit la gravité des blessures en cas d'accident. Demandez conseil à votre atelier d'entretien afin de choisir un équipement adéquat.
- Utilisez un casque de protection homologué.
- Utilisez des protège-oreilles agréés. Une exposition prolongée au bruit risque de causer des lésions auditives permanentes. Soyez attentif aux signaux ou cris d'avertissement lorsque vous portez des protège-oreilles. Enlevez toujours vos protège-oreilles dès que le moteur s'arrête.
- Portez des lunettes de protection approuvées afin de réduire le risque de blessures provoquées par des objets projetés. L'utilisation d'un écran facial doit toujours s'accompagner du port de lunettes de protection homologuées. Par lunettes de protection homologuées, on entend celles qui sont en conformité avec les normes ANSI Z87.1 (États-Unis) ou EN 166 (pays de l'UE). La visière doit être conforme à la norme EN 1731.
- Utilisez des gants de travail épais.
- Portez une protection respiratoire homologuée. L'utilisation de produits tels que les fraises, les meuleuses ou les foreuses pour poncer ou découper un matériau peut produire de la poussière et des

vapeurs susceptibles de contenir des substances chimiques dangereuses. Vérifiez la nature du matériau que vous souhaitez travailler et utilisez un masque respiratoire approprié.

- Portez des vêtements confortables, robustes et serrés qui permettent une liberté totale de mouvement. La découpe crée des étincelles qui peuvent enflammer les vêtements. Husqvarna vous recommande de porter du coton ignifugé ou du denim épais. Ne portez pas de vêtements composés de matières comme le nylon, le polyester ou la rayonne. Si elles s'enflamment, ces matières peuvent fondre et adhérer à la peau. Ne portez pas de short.
- Utilisez des bottes avec embouts en acier et semelle antidérapante.
- Ayez toujours une trousse de premiers secours à portée de mains.



- Des étincelles peuvent être projetées par le silencieux ou la lame de coupe. Ayez toujours un extincteur à portée de mains.

Dispositifs de sécurité sur le produit



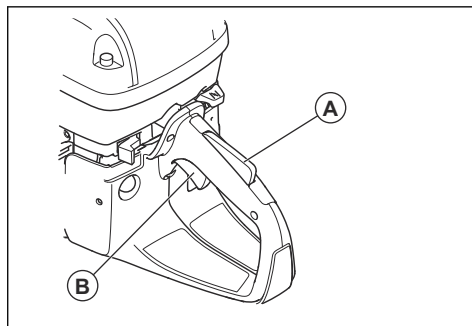
AVERTISSEMENT: Lisez les instructions qui suivent avant d'utiliser le produit.

- N'utilisez pas un produit avec des dispositifs de sécurité défectueux.
- Contrôlez les dispositifs de sécurité régulièrement. Si les dispositifs de sécurité sont défectueux, parlez-en à votre agent d'entretien Husqvarna homologué.
- Ne modifiez pas les dispositifs de sécurité.
- N'utilisez pas le produit si des plaques de protection, des capots de protection, des interrupteurs de sécurité ou d'autres dispositifs de protection ne sont pas fixés ou sont défectueux.

Blocage de la gâchette d'accélération

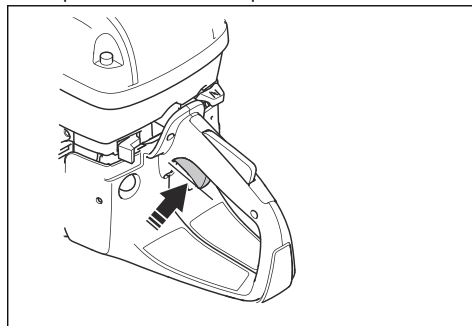
Le blocage de la gâchette d'accélération empêche toute activation accidentelle de cette dernière. Placez votre main dans la poignée et appuyez sur le blocage de la gâchette d'accélération (A) pour libérer la gâchette (B). Relâchez la poignée pour remettre la gâchette d'accélération et son blocage en position initiale. Cette

fonction bloque la gâchette d'accélération au régime de ralenti.

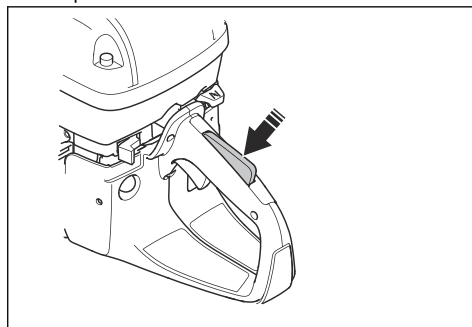


Pour contrôler le blocage de la gâchette d'accélération

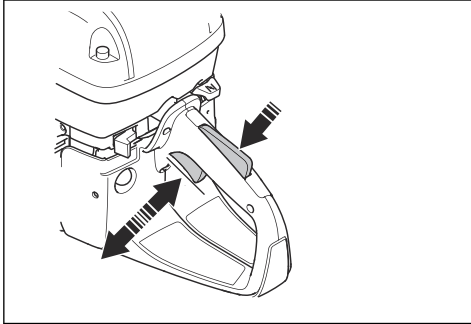
1. Vérifiez que la gâchette d'accélération est bloquée en position de ralenti lorsqu'elle est déverrouillée.



2. Appuyez sur le blocage de la gâchette d'accélération et assurez-vous qu'il retourne à sa position initiale lorsque vous le relâchez.



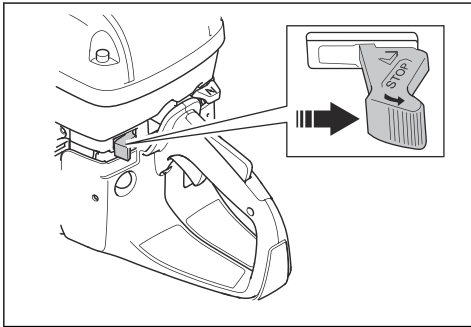
- Assurez-vous que la gâchette d'accélération et son blocage se déplacent librement et que les ressorts de rappel fonctionnent correctement.



- Démarrez le produit et faites-le fonctionner à plein régime.
- Relâchez la gâchette d'accélération et vérifiez que la lame de coupe s'arrête et reste immobile.
- Si la lame de coupe tourne au ralenti, réglez le régime de ralenti. Reportez-vous à la section *Pour régler le régime de ralenti à la page 102.*

Vérification de l'interrupteur d'arrêt

- Démarrez le moteur. Reportez-vous à la section *Démarrage du produit lorsque le moteur est froid à la page 94.*
- Mettez l'interrupteur d'arrêt en position ARRÊT. Le moteur doit s'arrêter.



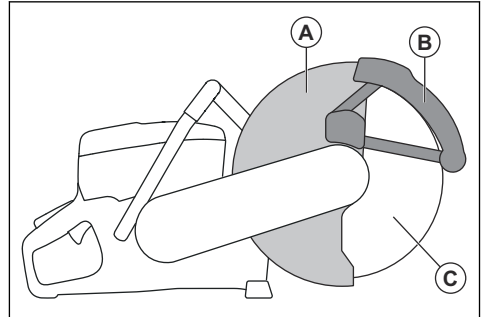
Protège-lame et SmartGuard (en option)



AVERTISSEMENT: Assurez-vous que le protège-lame et le SmartGuard sont fixés correctement avant de démarrer le produit. N'utilisez pas le produit si le protège-lame ou le SmartGuard est manquant, défectueux ou fissuré.

Le protège-lame (A) et SmartGuard (B) sont installés au-dessus de la lame de coupe (C). Ils préviennent les

blessures si des morceaux de la lame ou du matériau découpé sont projetés en direction de l'opérateur.



Le SmartGuard est à ressort et doit toujours se déplacer librement et se rétracter dans sa position initiale par la force du ressort.

Contrôle de la lame et du protège-lame



AVERTISSEMENT: une lame de coupe endommagée peut causer des blessures.

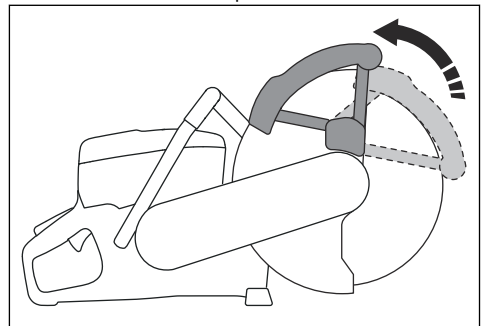
- Vérifiez également que la lame de coupe est correctement montée et qu'elle ne présente aucun signe d'endommagement.
- Assurez-vous que le protège-lame ne présente aucune fissure et qu'il n'est pas endommagé.
- Remplacez le protège-lame s'il est endommagé.

Pour contrôler le SmartGuard



AVERTISSEMENT: Un SmartGuard endommagé peut provoquer des blessures.

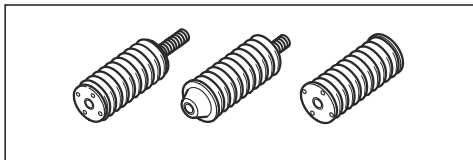
- Assurez-vous que le SmartGuard ne présente aucune fissure et qu'il n'est pas endommagé.
- Assurez-vous que le SmartGuard se déplace librement et se rétracte par la force du ressort.



3. Nettoyez ou remplacez le SmartGuard s'il ne se rétracte pas immédiatement lorsqu'il est enfoncé ou s'il est endommagé.

Système anti-vibrations

Le produit est équipé d'un système anti-vibrations conçu pour assurer une utilisation aussi confortable que possible. Le système anti-vibrations du produit réduit la transmission des vibrations de l'unité moteur/l'équipement de coupe à l'unité que constituent les poignées.



Pour contrôler le système anti-vibrations



AVERTISSEMENT: Vérifiez que le moteur est éteint et que le bouton d'arrêt est en position STOP.

1. Assurez-vous que les dispositifs anti-vibrations ne sont pas fissurés ni déformés. Remplacez le système d'amortissement des vibrations s'ils sont endommagés.
2. Assurez-vous que les dispositifs anti-vibrations sont fixés correctement sur le moteur et les poignées.

Silencieux

Le silencieux est conçu pour réduire au maximum le niveau sonore et rejeter les gaz d'échappement loin de l'utilisateur.

N'utilisez pas la machine si le silencieux est manquant ou défectueux. Un silencieux en mauvais état augmente le niveau sonore et le risque d'incendie.



AVERTISSEMENT: Le silencieux devient très chaud pendant et après utilisation et lorsque le moteur fonctionne au régime de ralenti. Soyez vigilant à proximité des matériaux inflammables et/ou des fumées pour prévenir tout risque d'incendie.

Pour contrôler le silencieux

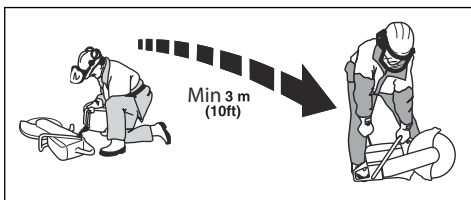
- Examinez le silencieux régulièrement pour s'assurer qu'il est correctement fixé et qu'il n'est pas endommagé.

Sécurité carburant



AVERTISSEMENT: Lisez les instructions qui suivent avant d'utiliser le produit.

- Le carburant est inflammable et ses vapeurs sont explosives. Faites attention lors de la manipulation du carburant pour éviter tout risque de blessures, d'incendie et d'explosion.
- Faites le plein de carburant uniquement à l'extérieur, là où le débit d'air est suffisant. Ne respirez pas les vapeurs de carburant. Les vapeurs de carburant sont toxiques et peuvent causer des blessures, un incendie ou une explosion.
- Ne retirez pas le bouchon du réservoir de carburant et ne remplissez pas le réservoir quand le moteur tourne.
- Laissez le moteur se refroidir avant de faire le plein.
- Ne fumez pas à proximité du carburant ou du moteur.
- Ne mettez pas d'objets chauds à proximité du carburant ou du moteur.
- Ne faites pas le plein de carburant à proximité d'étincelles ou de flammes.
- Avant de faire le plein, ouvrez le bouchon du réservoir de carburant lentement et relâchez la pression avec précaution.
- La présence de carburant sur la peau peut causer des blessures. Si votre peau entre en contact avec le carburant, lavez les parties qui ont été en contact avec de l'eau et du savon.
- Si vous avez renversé du carburant sur vos vêtements, changez de vêtements immédiatement.
- Serrez complètement le bouchon du réservoir de carburant. Si le bouchon du réservoir de carburant n'est pas correctement serré, les vibrations dans le produit peuvent le desserrer et provoquer des fuites et de vapeurs de carburant. Le carburant et les vapeurs de carburant présentent un risque d'incendie.
- Avant de démarrer le produit, éloignez-le d'au moins 3 m/10 pi de l'endroit où vous effectuez l'appoint de carburant.



- Ne démarrez pas le produit si du carburant ou de l'huile a été renversé(e) sur le produit. Retirez le carburant et l'huile moteur indésirables et laissez sécher le produit avant de démarrer le moteur.
- Vérifiez régulièrement s'il y a des fuites de moteur. S'il y a des fuites dans le système de carburant, ne démarrez pas le moteur jusqu'à ce que les fuites soient réparées.
- Conservez le carburant uniquement dans des récipients homologués.
- Lorsque le produit et le carburant sont stockés, assurez-vous que le carburant et les vapeurs de

carburant ne peuvent pas provoquer de dégâts, un incendie ou une explosion.

- Videz le carburant dans un récipient homologué à l'extérieur et loin de toute étincelle et flamme.

Consignes de sécurité pour l'entretien



AVERTISSEMENT: Lisez les instructions qui suivent avant d'utiliser le produit.

- Vérifiez que le moteur est éteint et que le bouton d'arrêt est en position STOP.
- Utilisez un équipement de protection personnelle. Reportez-vous à la section *Équipement de protection individuel* à la page 79.

- Si l'entretien n'est pas effectué correctement et régulièrement, le risque de blessures et d'endommagement du produit augmente.
- Effectuez uniquement les tâches d'entretien décrites dans le présent manuel de l'opérateur. Laissez un centre d'entretien homologué se charger de toutes les autres opérations d'entretien.
- Demandez à un Husqvarna atelier spécialisé d'effectuer régulièrement l'entretien du produit.
- Remplacez les pièces endommagées, usées ou cassées.
- Utilisez uniquement des accessoires d'origine.

Montage

Disques de découpe



AVERTISSEMENT: Portez toujours des gants de protection lorsque vous montez la chaîne.



AVERTISSEMENT: Une lame de coupe peut se briser et blesser gravement l'utilisateur.



AVERTISSEMENT: Avant toute utilisation, vérifiez que la lame de coupe ne présente pas de fissures, de déformations ou de déséquilibres sur les segments, immédiatement après avoir heurté un objet non intentionnel. N'utilisez pas de disque découpeur endommagé. Après avoir inspecté et posé la lame de coupe, assurez-vous que personne, y compris vous-même, ne se trouve dans la trajectoire de la lame de coupe en rotation, et faites tourner l'outil électrique à la vitesse maximale et sans charge pendant une minute.



AVERTISSEMENT: Le fabricant du disque de découpe donne des avertissements et des recommandations pour l'utilisation et l'entretien adéquats du disque de découpe. Ces avertissements sont fournis avec le disque de découpe. Lisez et respectez les instructions fournies avec la lame de coupe.

Lames de coupe homologuées



AVERTISSEMENT: Utilisez uniquement les lames diamantées et les lames abrasives pour le béton et le métal. N'utilisez pas de lames dentelées telles que les lames de découpe de bois circulaires ou les lames à

pointes au carbure. Le risque de rebond est plus important et les pointes au carbure peuvent se détacher et être projetées violemment, ce qui peut entraîner un risque de blessures graves, voire mortelles.



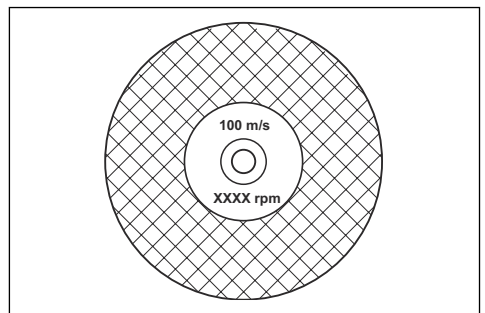
AVERTISSEMENT: N'utilisez jamais une lame de coupe avec un matériau différent de celui pour lequel elle est conçue.



AVERTISSEMENT: Utilisez uniquement des lames diamantées qui sont conformes aux normes nationales ou régionales, par exemple EN12413, EN13236 ou ANSI B7.1.



AVERTISSEMENT: N'utilisez pas de lame de coupe dont la vitesse nominale est inférieure à celle du produit. La vitesse nominale de la lame de coupe est indiquée sur la lame de coupe et celle du produit est indiquée sur le protège-lame.



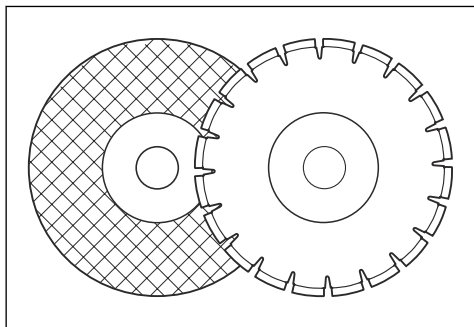
Remarque: La plupart des lames de coupe qui peuvent être fixées sur ce produit sont conçues pour des scies

fixes. La vitesse nominale de ces lames de coupe est trop faible pour ce produit.



REMARQUE: N'utilisez pas de lames de coupe dont l'épaisseur est supérieure à l'épaisseur maximale recommandée. Reportez-vous à la section *Caractéristiques techniques à la page 106*.

- Il existe deux modèles de lame de coupe applicables à ce produit : les lames abrasives liées et les lames diamantées.



- Assurez-vous que la lame de coupe présente la dimension de trou central correcte pour la bague d'arbre installée.

Vibration de la lame de coupe



REMARQUE: Ne forcez pas lors de l'utilisation du produit, sous peine de faire surchauffer la lame de coupe, de la plier et de provoquer des vibrations. Réduisez la force appliquée au produit. Si les vibrations persistent, remplacez la lame de coupe.

Lames de coupe abrasives liées



AVERTISSEMENT: N'utilisez pas d'eau avec des lames abrasives liées. L'humidité diminue la résistance de la lame de coupe abrasive liée et la lame de coupe peut se briser et provoquer des blessures.

Une lame de coupe abrasive liée est composée de petits grains abrasifs associés à une liaison organique ou vitrifiée, moulée avec des renforts en tissu, qui empêchent la lame de coupe de se casser lors d'un fonctionnement à grande vitesse.

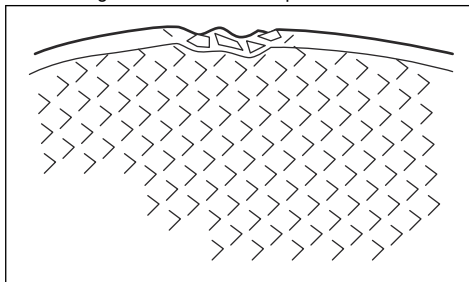
Lames de coupe abrasives liées pour différents matériaux

Remarque: Assurez-vous d'utiliser les lames de coupe adaptées appropriées pour la découpe de rails.

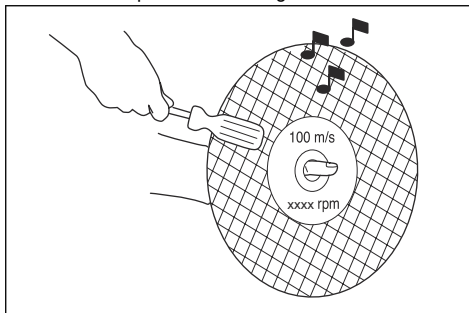
Type de lame	Matériau
Lame pour béton	Béton, asphalte, roche, maçonnerie, fonte, aluminium, cuivre, laiton, câbles, caoutchouc, plastique.
Lame métallique	Acier, alliages d'acier et autres métaux durs.
Lame de coupe pour la découpe de rails	Rail

Examen d'une lame de coupe abrasive liée

- Assurez-vous de l'absence de fissures ou d'autres dommages sur la lame de coupe.



- Placez la lame de coupe sur votre doigt et tapez légèrement sur la lame de coupe à l'aide d'un tournevis. Si vous n'entendez aucun son clair, la lame de coupe est endommagée.



Disques diamantés



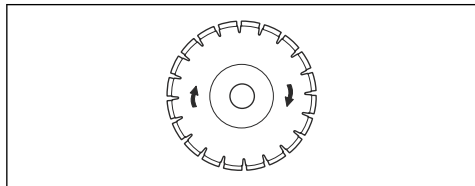
AVERTISSEMENT: Lors de leur utilisation, les lames diamantées deviennent très chaudes. Une lame diamantée trop chaude entraîne de mauvaises performances, des dégâts à la lame et présente un risque pour la sécurité.



AVERTISSEMENT: N'utilisez pas de lames diamantées pour découper des matériaux plastiques. La lame diamantée chaude peut

faire fondre le plastique, ce qui peut provoquer un rebond.

- Les lames diamantées comportent une tôle et des segments fabriqués à partir de diamants industriels.
- Les lames diamantées sont recommandées pour la maçonnerie, le béton armé et la pierre.
- Assurez-vous que le disque diamanté tourne dans le sens indiqué par les flèches sur le disque diamanté.



- Utilisez toujours un disque diamanté acéré.
- Les disques diamantés peuvent s'émauser si vous utilisez une pression d'avance incorrecte ou lorsque vous découpez des matériaux tels que du béton fortement armé. Si vous utilisez un disque diamanté émoussé, celui-ci surchauffe, ce qui peut causer le desserrage des segments diamantés.

Affûtage de la lame de coupe

Remarque: Pour obtenir les meilleurs résultats, utilisez une lame de coupe affûtée.

- Pour affûter une lame, coupez un matériau tendre tel que du grès ou de la brique.

Disques diamant pour découpe à l'eau

- Les lames diamantées pour la découpe à l'eau doivent être utilisées avec de l'eau.
- L'eau diminue la température de la lame de coupe, augmente sa durée de vie et réduit la poussière pendant le fonctionnement.
- Lors d'une découpe à l'eau, recueillez les eaux usées en toute sécurité.

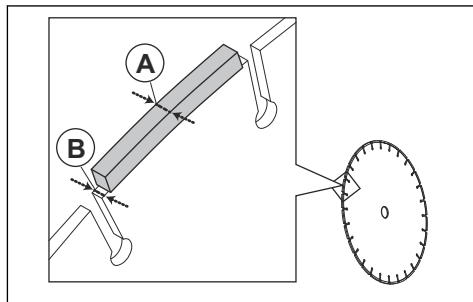
Disques diamant pour découpe à sec

- Concernant les lames diamantées pour la découpe à sec, il est nécessaire de disposer d'un débit d'air suffisant autour de la lame de coupe afin de diminuer la température. C'est pourquoi les lames diamantées pour la découpe à sec sont recommandées uniquement pour un fonctionnement intermittent. Au bout de quelques secondes de fonctionnement, il est nécessaire de laisser la lame diamantée tourner librement, à l'écart de la découpe. Cela permet au débit d'air autour de la lame de réduire la température de la lame diamantée.

Lame diamantée : saillie



AVERTISSEMENT: Certaines situations de coupe ou des lames de mauvaise qualité peuvent entraîner une usure excessive sur le côté des segments. Assurez-vous que le segment en diamant (A) est plus large que la lame (B). Cela permet d'éviter tout pincement dans la fente et tout effet de rebond. Reportez-vous à la section *Rebond* à la page 89.



REMARQUE: certaines situations de coupe ou des lames usées peuvent provoquer une usure excessive sur le côté des segments. Remplacez la lame avant qu'elle ne soit usée.

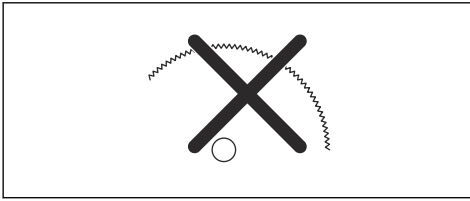
Lames dentées



AVERTISSEMENT: N'utilisez jamais de lames dentées telles que des lames de coupe de bois, des lames dentées circulaires, des lames à plaquettes, etc. À grande vitesse, le risque de rebond est nettement plus important et les extrémités de lame peuvent être arrachées et projetées. Toute négligence peut causer de graves blessures ou peut être fatale.



AVERTISSEMENT: La réglementation gouvernementale impose un type différent de dispositif de protection pour les lames à plaquettes, non disponible sur les découpeuses : une protection 360 degrés. Les découpeuses (cette chaîne) sont dotées de lames diamantées et sont équipées d'un système de protection différent qui ne protège pas contre les dangers présentés par les lames de coupe de bois.



L'utilisation de cette découpeuse avec une lame à plaquettes constitue une violation des réglementations sur la sécurité du travail.

En raison de la nature dangereuse et des circonstances exigeantes de la lutte contre le feu et des opérations de secours menées par les différentes forces de sécurité publique très bien formées, des professionnels de la sécurité, Husqvarna a conscience qu'il est possible que celles-ci utilisent cette découpeuse avec des lames à plaquettes dans certaines situations d'urgence, en raison de la capacité des lames à plaquettes à couper différents types d'obstacles et de matériaux sans devoir passer du temps à changer de lame ou de machine. Lorsque vous utilisez cette découpeuse, souvenez-vous en toutes circonstances que les lames à plaquettes sont plus sujettes aux rebonds que les lames diamantées si elles ne sont pas utilisées correctement. Les lames à plaquettes peuvent également projeter des morceaux de matériau.

Pour ces raisons, une découpeuse équipée d'une lame à plaquettes ne doit jamais être utilisée, sauf par des professionnels de la sécurité publique ayant reçu une formation et conscients des risques liés à cette utilisation, et ce, uniquement dans des circonstances exigeantes dans lesquelles les autres outils sont jugés inefficaces pour des opérations de secours ou de lutte contre le feu. N'utilisez jamais de découpeuse équipée d'une lame à plaquettes pour couper du bois lorsqu'il ne s'agit pas d'une opération de secours.

Inspection de l'arbre à broche et des rondelles d'accouplement



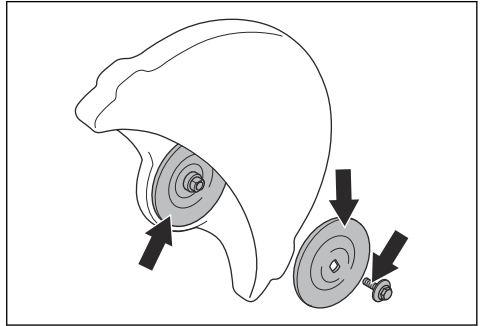
REMARQUE: N'utilisez que Husqvarna des rondelles d'accouplement qui possèdent un diamètre minimum de 105 mm/4,1 po.



AVERTISSEMENT: N'utilisez pas de rondelles d'accouplement abîmées, défectueuses ou sales. N'utilisez que des rondelles d'accouplement de la même taille. L'utilisation de rondelles d'accouplement non compatibles risque d'abîmer la lame de coupe ou de la desserrer.

Examinez les rondelles d'accouplement et l'arbre à broche lors du remplacement de la lame de coupe.

1. Vérifiez que les filetages de l'arbre à broche sont intacts. Remplacez les pièces endommagées.

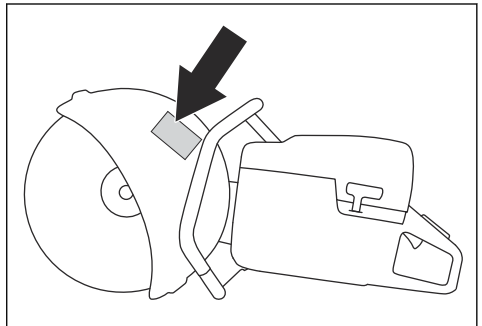


2. Assurez-vous que les surfaces de contact sur la lame de coupe et les rondelles d'accouplement ne sont pas abîmées. Remplacez les pièces endommagées.
3. Vérifiez que les rondelles d'accouplement sont propres et de la bonne taille.
4. Assurez-vous que les rondelles d'accouplement se déplacent librement sur l'arbre à broche.

Contrôle de la bague d'arbre

Les bagues d'arbre servent à fixer le produit au niveau du trou central de la lame de coupe. Le produit est fourni avec l'un de ces deux types de bagues d'arbre :

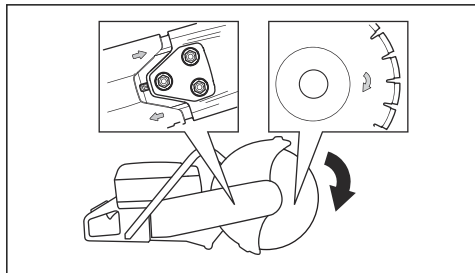
- Une bague d'arbre pouvant être tournée de l'autre côté et applicable aux trous centraux de 20 mm/ 0,79 po ou de 25,4 mm/1 po.
- Une bague d'arbre de 25,4 mm/1 po.
- Un autocollant sur le protège-lame indique la bague de l'arbre installée et les spécifications des lames de coupe applicables.



- Assurez-vous que la dimension du trou central de la lame de coupe correspond à la bague d'arbre installée. Le diamètre du trou central est imprimé sur la lame de coupe.
- N'utilisez que des bagues d'arbre Husqvarna.

Examen du sens de rotation de la lame de coupe

1. Trouver les flèches sur le bras de coupe indiquant le sens de rotation de l'arbre à broche.



2. La flèche sur la lame de coupe indique le sens de rotation de la lame de coupe.
3. Assurez-vous que les flèches de direction de la lame de coupe et de l'arbre de broche ont la même direction.

Pour installer le disque de découpe

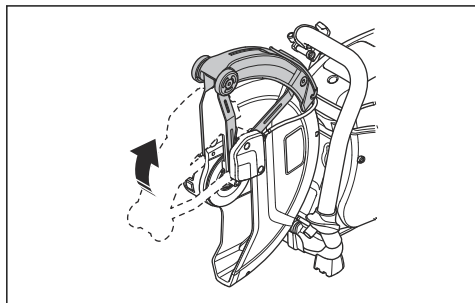


AVERTISSEMENT: Vérifiez que le moteur est coupé et que le bouton d'arrêt est en position STOP.



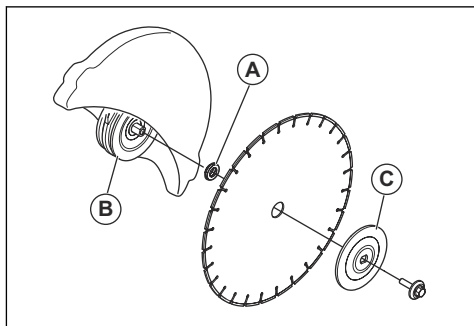
AVERTISSEMENT: Portez toujours des gants de protection lorsque vous montez la chaîne.

1. Examinez les rondelles d'accouplement et l'arbre à broche. Reportez-vous à la section *Inspection de l'arbre à broche et des rondelles d'accouplement à la page 86*.
2. Repoussez et maintenez SmartGuard en position rétractée.

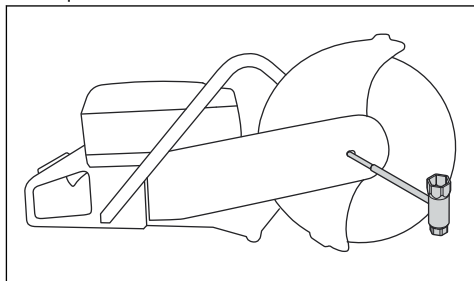


Remarque: cette étape s'applique uniquement au modèle K 970 SmartGuard.

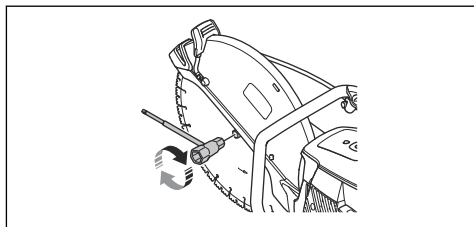
3. Placez la lame de coupe sur la bague d'arbre (A) entre la rondelle d'accouplement interne (B) et la rondelle d'accouplement (C). Tournez la rondelle d'accouplement jusqu'à ce qu'elle soit maintenue sur l'arbre.



4. Insérez un outil dans le trou de l'unité de coupe et tournez la lame de coupe jusqu'à ce que l'arbre se bloque.



5. Serrez le boulon de lame de coupe à 30 Nm/18,5 ft·lb.



Comment retourner la tête de coupe (K 970 III, K 970 III Rescue)



AVERTISSEMENT: Si une procédure standard n'est pas possible, coupez uniquement après avoir retourné la tête de coupe.

Le produit est doté d'une tête de coupe réversible qui vous permet de couper près d'un mur ou au niveau du sol. Si une procédure standard n'est pas possible, coupez uniquement après avoir retourné la tête de coupe. En cas de rebond, il est plus difficile de contrôler

le produit si la tête de coupe est retournée. La distance entre la lame de coupe et le centre du produit est plus longue, ce qui signifie que la poignée et la lame de coupe ne s'alignent pas. Cela a un effet négatif sur l'équilibre du produit et il est plus difficile de maintenir le produit si la lame de coupe est pincée ou calée dans la zone de rebond. Reportez-vous à la section *Rebond à la page 89*.

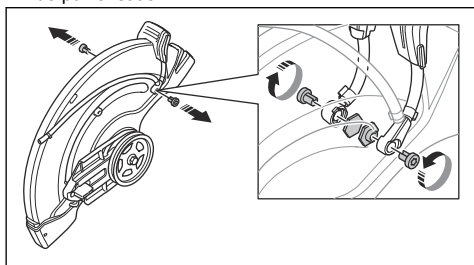


AVERTISSEMENT: Vérifiez que le moteur est coupé et que le bouton d'arrêt est en position STOP.

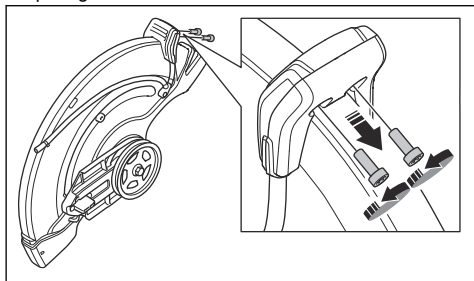


AVERTISSEMENT: Portez toujours des gants de protection lorsque vous montez la chaîne.

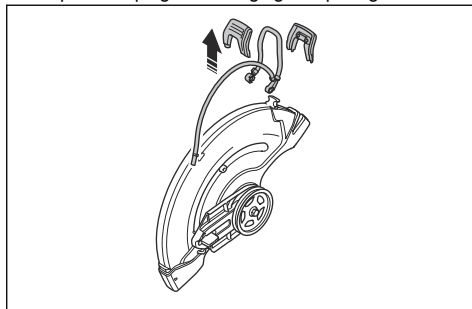
1. Déposez la lame de coupe, le capot de la courroie avant et la tête de coupe. Reportez-vous aux étapes 1 à 5 de la section *Remplacer la courroie d'entraînement à la page 99*.
2. Déposez les 2 vis et les écrous maintenant la buse de pulvérisation.



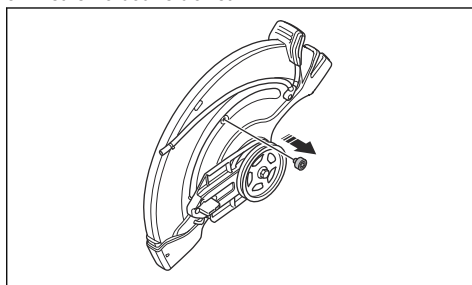
3. Déposez les 2 vis de la poignée de réglage du protège-lame.



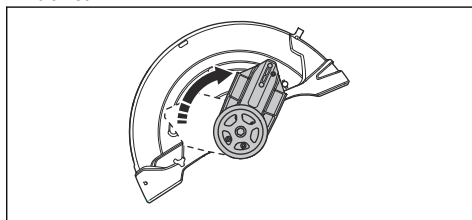
4. Déposez la poignée de réglage du protège-lame



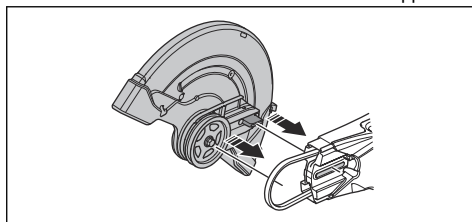
5. Retirez la douille d'arrêt.



6. Déplacez le logement de palier et installez la douille d'arrêt.



7. Installez la douille d'arrêt.
8. Montez la courroie d'entraînement du côté opposé.



9. Installez la tête de coupe et le capot de la courroie d'entraînement ; reportez-vous à la section *Remplacer la courroie d'entraînement à la page 99*.
10. Installez la buse de pulvérisation et la lame de coupe dans l'ordre inverse de leur dépose.

Utilisation

Introduction



AVERTISSEMENT: Assurez-vous de lire et de comprendre le chapitre dédié à la sécurité avant d'utiliser l'appareil.

Rebond

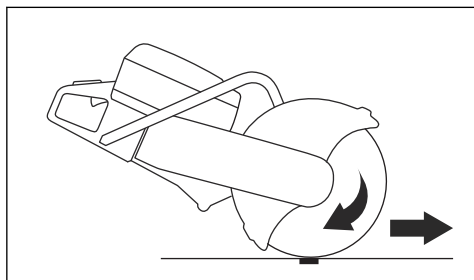


AVERTISSEMENT: Les rebonds sont soudains et peuvent être très violents. La découpeuse peut être éjectée vers le haut puis retomber en direction de l'utilisateur dans un mouvement de rotation qui peut causer des blessures sérieuses, voire mortelles. Il est indispensable de comprendre ce qui cause le rebond et de savoir comment l'éviter avant d'utiliser le produit.

Le rebond est un mouvement soudain vers le haut qui peut survenir si la lame se pince ou se coince dans la zone de rebond. La plupart des rebonds sont légers et présentent peu de dangers. Un rebond peut cependant être très violent et envoyer la découpeuse vers le haut puis la faire retomber en direction de l'utilisateur dans un mouvement de rotation pouvant causer des blessures sérieuses, voire mortelles.

Force de réaction

Une force de réaction s'exerce toujours lors de la découpe. Cette force tire le produit dans le sens opposé à la rotation de la lame. La plupart du temps, cette force est insignifiante. Si la lame se pince ou se coince, la force de réaction sera forte et il est possible que vous perdiez le contrôle de la découpeuse.

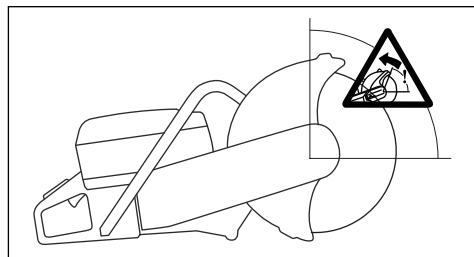


Ne déplacez pas le produit quand l'équipement de coupe tourne. Les forces gyroscopiques peuvent entraver le mouvement prévu

Zone de rebond

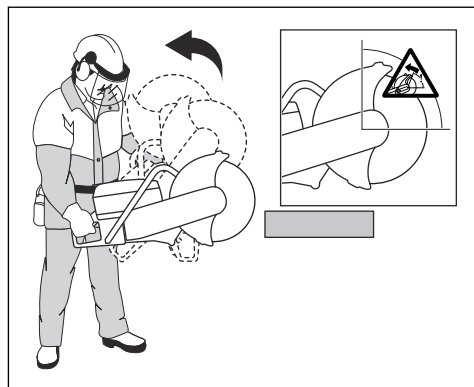
N'utilisez jamais la zone de rebond du disque pour découper. Si la lame se pince ou se coince dans la zone de rebond, la force de réaction va pousser la

découpeuse vers le haut, puis la faire retomber en direction de l'utilisateur dans un mouvement de rotation qui peut causer des blessures sérieuses, voire mortelles.



Rebond rotationnel

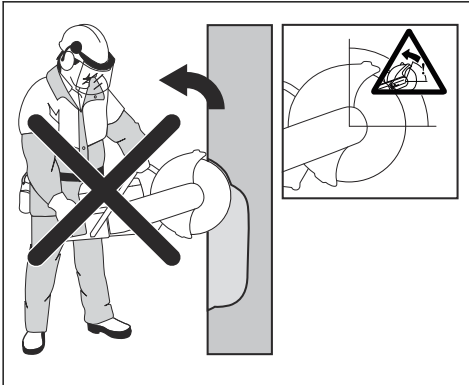
Un rebond rotatif se produit lorsque la lame de coupe ne se déplace pas librement dans la zone de rebond.



Rebond de grimpée

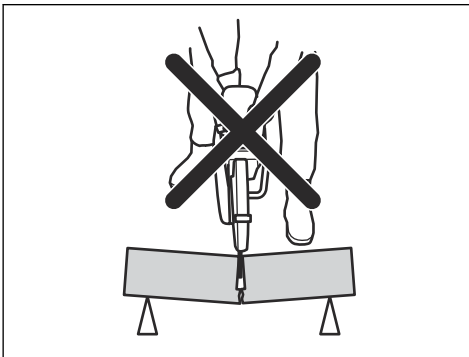
Si la zone de rebond est utilisée pour la découpe, la force de réaction entraîne une grimpée de la lame dans l'entaille. N'utilisez pas la zone de rebond. Utilisez le

quart inférieur du disque pour éviter le rebond de grimpée.



Rebond de pincement

Un pincement se produit quand l'entaille se referme et pince la lame. Si la lame se pince ou se coince, la force de réaction sera forte et il est possible que vous perdiez le contrôle de la découpeuse.



Si la lame se pince ou se coince dans la zone de rebond, la force de réaction va pousser la découpeuse vers le haut, puis la faire retomber en direction de l'utilisateur dans un mouvement de rotation qui peut causer des blessures sérieuses, voire mortelles. Faites attention aux éventuels mouvements de la pièce à travailler. Si la pièce à travailler n'est pas correctement soutenue et qu'elle se décale lors de la découpe, elle risque de pincer la lame et d'entraîner un rebond.

Coupe de tubes



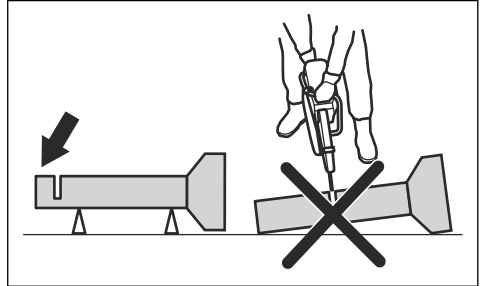
AVERTISSEMENT: Si la lame est coincée dans la zone de rebond, il en résultera un important rebond.

Faites particulièrement attention lorsque vous découpez des tubes. Si le tube n'est pas bien soutenu et que l'entaille n'est pas maintenue ouverte pendant la

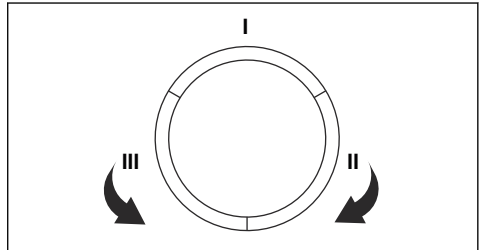
découpe, la lame risque d'être pincée. Faites particulièrement attention lors de la découpe d'un tuyau en tulipe ou d'un tuyau dans une tranchée qui, s'il n'est pas correctement soutenu, risque de pendre et de pincer la lame.

Si le tuyau peut pendre et fermer la coupe, la lame risque d'être pincée dans la zone de rebond et cela peut susciter un rebond important. Si le tuyau est correctement soutenu, l'extrémité du tuyau va descendre et la coupe va s'ouvrir sans aucun pincement.

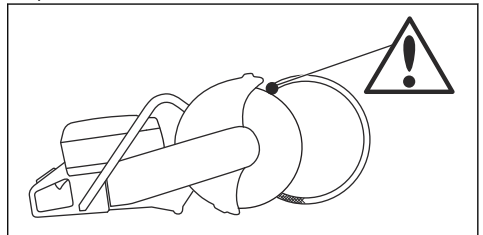
1. Fixez le tube de sorte qu'il ne puisse pas bouger ou rouler pendant la découpe.



2. Coupez la partie « I » du tube.



3. Assurez-vous que l'entaille s'ouvre afin d'éviter tout pincement.



4. Passez à la section II et découpez de la section I jusqu'au bas du tuyau.
5. Passez à la section III et découpez la partie restante du tuyau, en finissant en bas.

Éviter un rebond



AVERTISSEMENT: Éviter les situations susceptibles de provoquer des rebonds. Soyez très vigilant lorsque vous utilisez votre découpeuse et assurez-vous que la lame n'est jamais coincée dans la zone de rebond.



AVERTISSEMENT: Faites attention lorsque vous introduisez la lame dans une entaille existante.

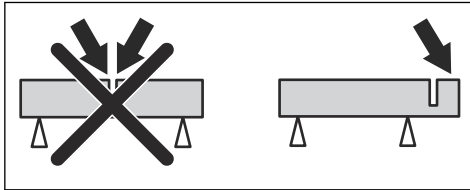


AVERTISSEMENT: Assurez-vous que la pièce à découper ne peut pas se déplacer lors de la découpe.



AVERTISSEMENT: La seule façon d'éviter les rebonds et le danger qu'ils représentent est de faire attention et d'utiliser une méthode de travail correcte.

- Veillez à toujours soutenir la pièce à usiner de sorte que l'entaille puisse rester ouverte lors de la découpe. Lorsque l'entaille est ouverte, aucun rebond ne se produit. Si l'entaille est refermée et pince la lame, il existe toujours un risque de rebond.



Techniques de travail de base



AVERTISSEMENT: Ne tirez pas le produit sur un côté. Cela peut empêcher la lame de coupe de se déplacer librement. La lame de coupe peut se casser et blesser l'utilisateur ou les personnes qui se trouvent à proximité.



AVERTISSEMENT: Ne meulez pas avec le côté de la lame de coupe. La lame de coupe peut se casser et blesser l'utilisateur ou les personnes qui se trouvent à proximité. N'utilisez que le côté tranchant.



AVERTISSEMENT: Vérifiez également que la lame de coupe est correctement montée et qu'elle ne présente aucun dommage.



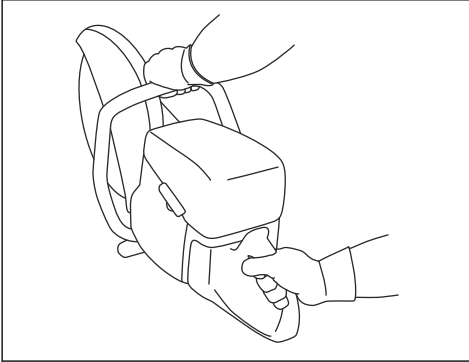
AVERTISSEMENT: Avant d'effectuer une découpe dans une coupe existante effectuée par une lame différente, assurez-vous que la rainure n'est pas plus fine que votre lame, car cela peut entraîner une torsion dans la rainure de coupe et un rebond.



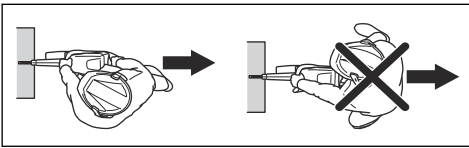
AVERTISSEMENT: La découpe de métal génère des étincelles pouvant provoquer un incendie. N'utilisez pas le produit près de gaz ou de substances inflammables.

- Le produit est conçu pour couper avec des lames de coupe abrasives liées ou des lames diamantées conçues pour un produit portable à grande vitesse. Le produit ne doit pas être utilisé avec d'autres types de lames ou pour d'autres types de fonctionnement.
- Vérifiez que la bonne lame de coupe est utilisée pour le matériau à découper. Reportez-vous à la section *Lames de coupe homologuées à la page 83* pour connaître les instructions.
- Ne découpez pas de matériaux en amiante.
- Tenez-vous éloigné de la lame de coupe tandis que le moteur tourne. N'essayez pas d'arrêter une lame en rotation avec une partie de votre corps. Le contact avec une lame rotative, même si le moteur est coupé, peut entraîner des blessures graves, voire mortelles.
- La lame de coupe continue de tourner pendant un moment après l'arrêt du moteur. Assurez-vous que la lame de coupe est arrêtée avant de déplacer ou d'abaisser le produit. S'il est nécessaire d'arrêter rapidement la lame de coupe, laissez-la légèrement toucher une surface dure.
- Ne déplacez pas le produit lorsque le moteur est allumé.
- Tenez le produit avec les deux mains. Maintenez fermement le produit avec les pouces et les doigts autour des poignées en plastique avec isolation. Tenez la main droite sur la poignée arrière et la main gauche sur la poignée avant. Tous les opérateurs

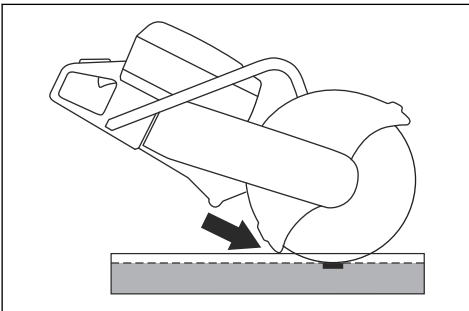
doivent utiliser cette position de maintien. N'utilisez pas une découpeuse avec une seule main.



- Tenez vous parallèlement au disque découpeur. Évitez de vous tenir juste derrière celle-ci. En cas de rebond, la scie bouge dans le plan de la lame de coupe.

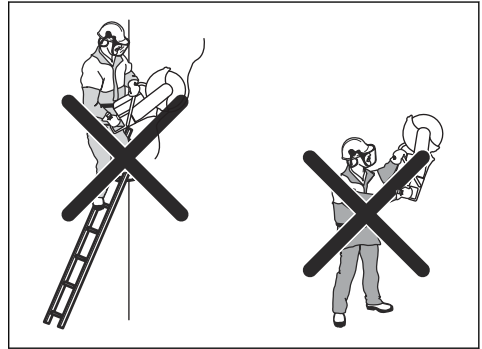


- Ne vous éloignez pas du produit lorsque le moteur est allumé. Avant de vous éloigner du produit, arrêtez le moteur et assurez-vous qu'il n'y a aucun risque de démarrage accidentel.
- Utilisez la poignée de réglage du protège-lame pour régler la section arrière du protège-lame au ras de la pièce à usiner. Les projections et les étincelles du matériau coupé sont recueillies par le protège-lame et dirigées loin de l'utilisateur. Les protections de l'équipement de coupe doivent toujours être installées quand le produit est en marche.

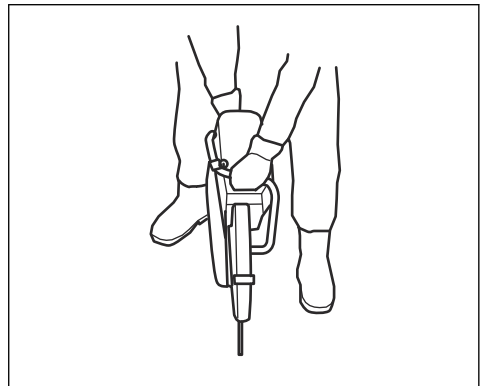


- N'utilisez jamais la zone de rebond de la lame pour découper. Reportez-vous à la section *Zone de rebond* à la page 89 pour connaître les instructions.
- N'utilisez pas le produit sans avoir le champ libre et sans avoir vos pieds et votre corps en position stable.

- Ne coupez pas au-dessus de la hauteur d'épaule.
- N'effectuez pas de découpe sur une échelle. Utilisez une plate-forme ou un échafaudage en cas de découpe au-dessus de la hauteur d'épaule. Ne vous éloignez pas trop.

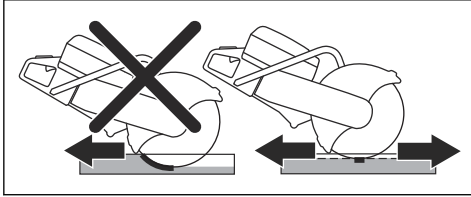


- Tenez-vous à une distance confortable de la pièce à découper.
- Assurez-vous que la lame de coupe peut se déplacer librement lorsque le moteur démarre.
- Appliquez délicatement la lame de coupe à haute vitesse de rotation (plein régime). Maintenez la vitesse maximale jusqu'à la fin de la découpe.
- Laissez le produit faire le travail. N'appuyez pas sur la lame de coupe.
- Enfoncez le produit dans l'alignement de la lame. Les pressions latérales peuvent endommager la lame et sont très dangereuses.



- Déplacez lentement la lame d'avant en arrière pour obtenir une petite surface de contact entre la lame et

le matériau à découper. Cette permet d'augmenter la température de la lame et facilite la découpe.



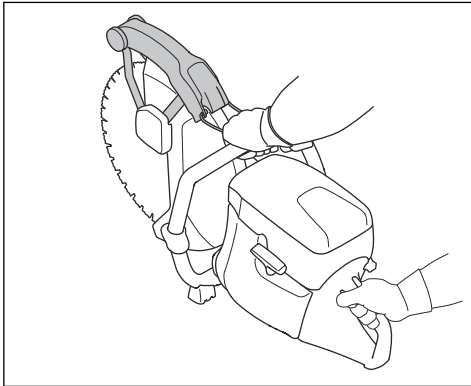
Techniques de travail de base avec K 970 SmartGuard



AVERTISSEMENT: La fonction SmartGuard est désengagée si le SmartGuard est rétracté manuellement. Ne rétractez le SmartGuard manuellement que si vous le devez et qu'il n'y a aucun risque de rebond.

SmartGuard offre une plus grande couverture de la lame. Cela réduit le risque de toucher la lame en cas de rebond.

- Vous pouvez rétracter le SmartGuard manuellement à l'aide de la poignée SmartGuard.
- Maintenez la poignée SmartGuard avec un doigt de la main gauche pendant que les autres doigts tiennent la poignée avant.



Réduction de la poussière pendant le fonctionnement

Le produit est équipé d'un kit de découpe à l'eau permettant de réduire la poussière nocive dans l'air pendant le fonctionnement. Le kit de coupe à l'eau présente une faible consommation d'eau.

- Si possible, utilisez des lames de coupe à l'eau avec refroidissement à eau. Reportez-vous à la section *Disques de découpe à la page 83*.

- Réglez le débit d'eau à l'aide de la soupape. Le débit correct est différent en fonction des divers types de tâches.
- Assurez-vous que la pression de l'eau est correcte. Reportez-vous à la section *Caractéristiques techniques à la page 106*. Si le tuyau d'eau se détache au niveau de la source d'alimentation, la pression de l'eau fournie peut être trop élevée.

Carburant

Ce produit est équipé d'un moteur à deux temps.



REMARQUE: L'utilisation d'un type de carburant inadéquat peut endommager le moteur. Utilisez un mélange d'essence et d'huile deux temps.

Huile deux temps

- Pour un résultat et un fonctionnement optimaux, utilisez de l'huile deux temps Husqvarna.
- Si l'huile deux temps Husqvarna n'est pas disponible, utilisez une huile deux temps de haute qualité pour moteurs refroidis à l'air. Contactez votre atelier d'entretien pour sélectionner l'huile appropriée.



REMARQUE: N'utilisez pas d'huile deux temps pour les moteurs hors-bord refroidis par eau (huile outboard). N'utilisez pas d'huile pour moteurs à quatre temps.

Carburant prémélangé

- Utilisez Husqvarna un carburant alkylate prémélangé pour des performances optimales et une plus longue durée de vie du moteur. Ce carburant contient des produits chimiques moins dangereux par rapport au carburant normal, ce qui réduit la quantité de gaz d'échappement dangereux. Ce carburant génère une faible quantité de résidus, ce qui permet de garder les composants du moteur propres plus longtemps.

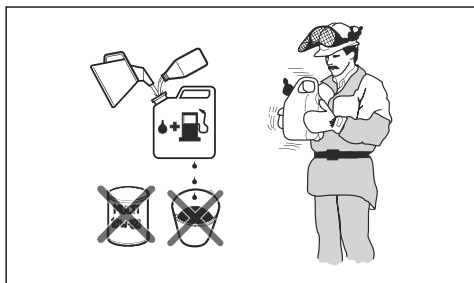
Pour mélanger l'essence et l'huile deux temps

Essence, en litres	Huile deux temps, en litres
	2 % (50:1)
5	0,10
10	0,20
15	0,30
20	0,40
Gallon américain	Oz liq. américaine

1	2 ½
2 1/2	6 ½
5	12 ¾



REMARQUE: lorsque vous mélangez de faibles quantités de carburant, de petites erreurs peuvent influencer considérablement sur le rapport de mélange. Mesurez soigneusement la quantité d'huile et assurez-vous que vous obtenez le mélange correct.



1. Remplissez la moitié de la quantité d'essence dans un récipient propre et adapté pour l'essence.
2. Ajoutez la quantité totale d'huile.
3. Mélangez en secouant le mélange de carburant.
4. Ajoutez le reste de l'essence dans le récipient.
5. Mélangez avec précaution en secouant le récipient.



REMARQUE: Ne mélangez jamais plus d'un mois de carburant à chaque fois.

Pour remplir le réservoir de carburant



REMARQUE: N'utilisez pas d'essence avec un indice d'octane inférieur à 90 RON (87 AKI). Le produit risque d'être endommagé.



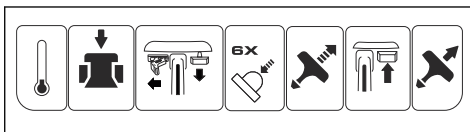
REMARQUE: N'utilisez pas d'essence avec une concentration d'éthanol (E10) supérieure à 10 %. Le produit risque d'être endommagé.

Remarque: Le carburateur doit être réglé dans certaines conditions lorsque vous modifiez le type de carburant.

- Utilisez de l'essence avec un numéro d'octane supérieur si vous utilisez fréquemment le produit à une vitesse du moteur élevée en continu.

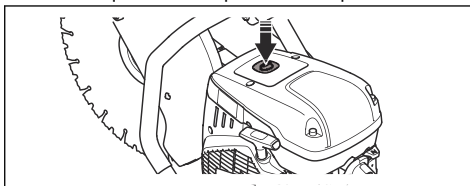
1. Ouvrez lentement le couvercle du réservoir de carburant pour relâcher la pression.
2. Remplissez lentement le réservoir à l'aide d'un bidon de carburant. Si vous renversez du carburant, essuyez-le à l'aide d'un chiffon et laissez le carburant restant sécher.
3. Essuyez le pourtour du bouchon du réservoir de carburant.
4. Serrez complètement le bouchon du réservoir de carburant. Si le bouchon du réservoir de carburant n'est pas serré, il y a un risque d'incendie.
5. Déplacez le produit à un minimum de 3 m (10 ft) de l'endroit où a été fait le plein de carburant avant de démarrer le produit.

Démarrage du produit lorsque le moteur est froid

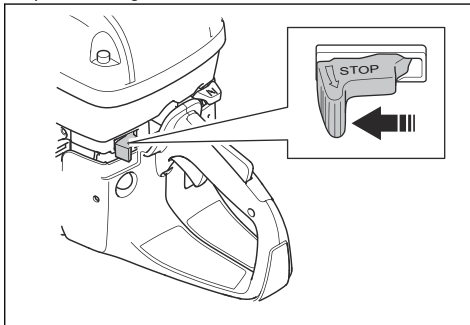


AVERTISSEMENT: Vérifiez que la lame tourne librement. Elle commence à tourner lorsque le moteur démarre.

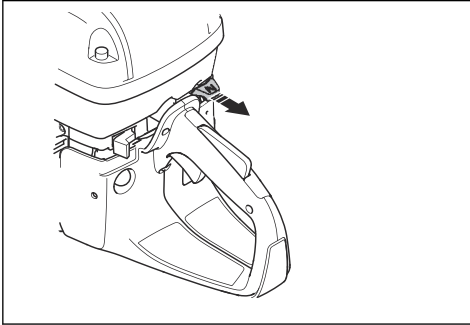
1. Appuyez sur le décompresseur pour réduire la pression dans le cylindre. Une fois le produit démarré, le décompresseur revient automatiquement à sa position de départ.



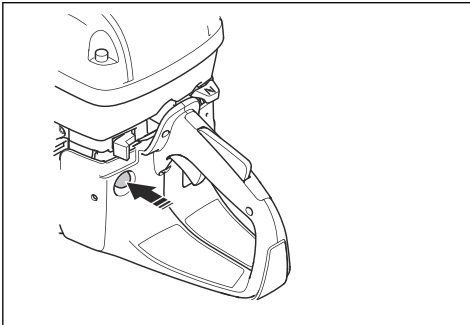
2. Veillez à ce que le bouton d'arrêt (STOP) soit sur la position de gauche.



3. Tirez complètement sur le starter pour régler la position de ralenti accéléré.



4. Appuyez 6 fois sur la poire de la pompe à carburant jusqu'à ce qu'elle soit entièrement remplie de carburant.

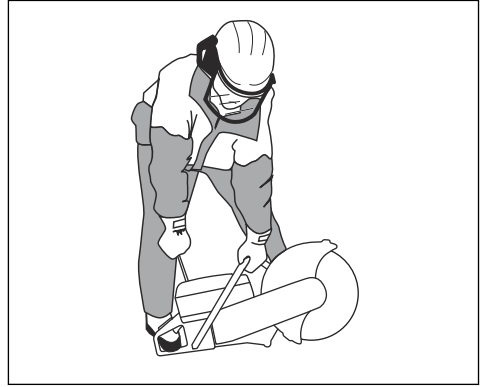


5. Maintenez la poignée avant avec la main gauche.
6. Placez votre pied droit sur la partie inférieure de la poignée arrière pour plaquer le produit contre le sol.



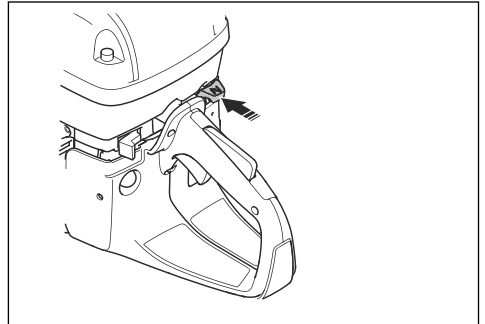
AVERTISSEMENT: N'enroulez pas le câble du démarreur autour de votre main.

7. Tirez lentement le câble du démarreur de la main droite jusqu'à sentir une résistance en tant que les cliquets s'enclenchent. Tirez ensuite sans interruption et rapidement.

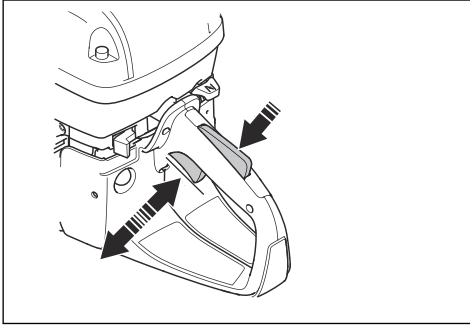


REMARQUE: Ne sortez pas complètement le câble du démarreur et ne relâchez pas la poignée lorsque le câble est complètement sorti. Cela peut endommager le produit.

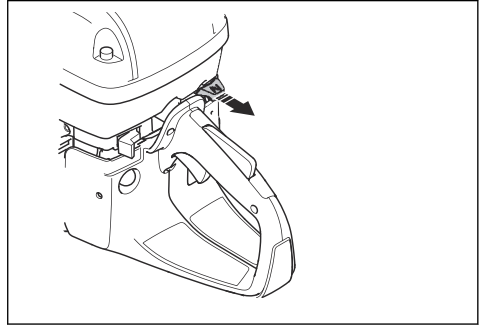
8. Appuyez sur le starter lorsque le moteur démarre. Si le starter est tiré, le moteur s'arrête après quelques secondes. Si le moteur s'arrête, tirez à nouveau sur la poignée du câble du démarreur.



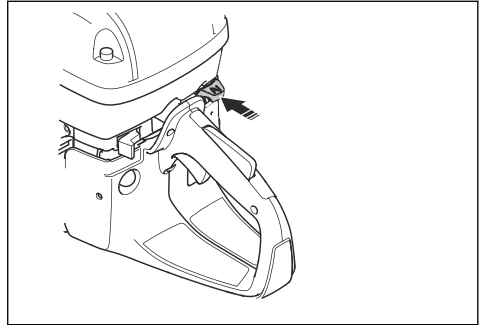
- Appuyez sur la gâchette d'accélération pour désengager le ralenti accéléré ; la machine tourne alors au ralenti.



- Tirez complètement sur le starter pour régler la position de ralenti accéléré.

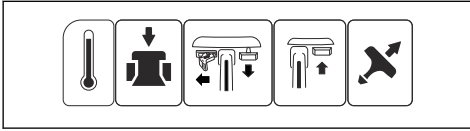


- Appuyez sur le starter pour désactiver la commande. Le ralenti accéléré reste en position.



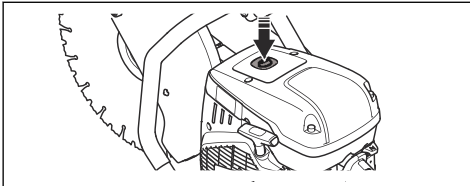
- Maintenez la poignée avant avec la main gauche.
- Placez votre pied droit sur la partie inférieure de la poignée arrière pour plaquer le produit contre le sol.

Démarrage du produit lorsque le moteur est chaud



AVERTISSEMENT: Vérifiez que la lame tourne librement. Elle commence à tourner lorsque le moteur démarre.

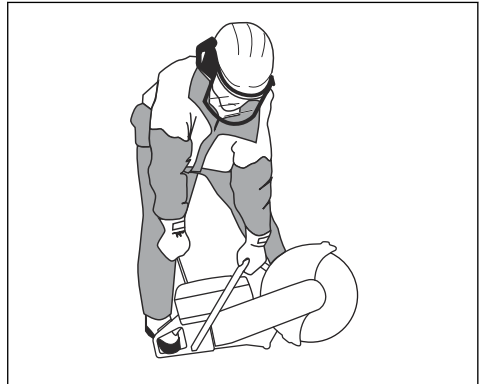
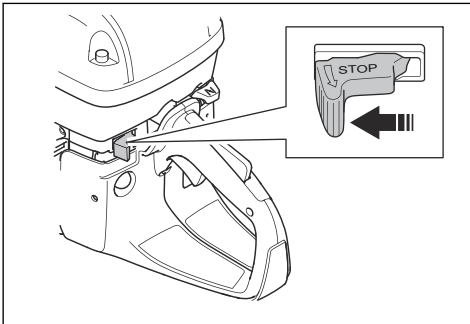
- Appuyez sur le décompresseur pour réduire la pression dans le cylindre. Une fois le produit démarré, le décompresseur revient automatiquement à sa position de départ.



AVERTISSEMENT: N'enroulez pas le câble du démarreur autour de votre main.

- Tirez lentement le câble du démarreur jusqu'à sentir une résistance lorsque les cliquets s'enclenchent. Tirez ensuite sans interruption et rapidement.

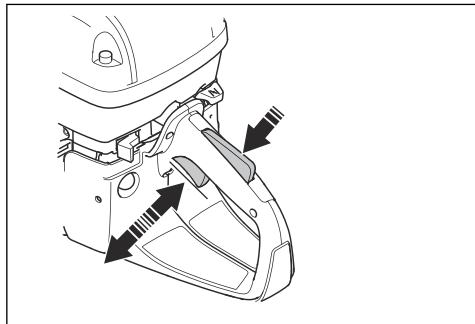
- Veillez à ce que le bouton d'arrêt (STOP) soit sur la position de gauche.



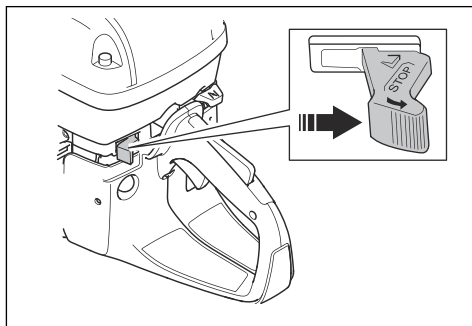


REMARQUE: Ne sortez pas complètement le câble du démarreur et ne relâchez pas la poignée lorsque le câble est complètement sorti. Cela peut endommager le produit.

- Appuyez sur la gâchette d'accélération pour désengager le ralenti accéléré ; la machine tourne alors au ralenti.



- Pour arrêter le moteur, déplacez l'interrupteur d'arrêt vers la droite.



Pour arrêter le produit



AVERTISSEMENT: La lame de coupe continue de tourner pendant un moment après l'arrêt du moteur. Assurez-vous que la lame de coupe tourne librement jusqu'à l'arrêt complet. S'il est nécessaire d'arrêter rapidement la lame de coupe, laissez-la légèrement toucher une surface dure. Risque de blessures graves.

Entretien

Introduction



AVERTISSEMENT: assurez-vous de lire et de comprendre le chapitre sur la sécurité avant de procéder à l'entretien du produit.

Une formation spécifique est nécessaire pour effectuer tous les travaux d'entretien et de réparation du produit. Nous garantissons la disponibilité de réparations et d'un entretien professionnels. Si votre concessionnaire n'est

pas un atelier spécialisé, demandez-lui des informations à propos de l'atelier spécialisé le plus proche.

Pour les pièces de rechange, contactez Husqvarna votre concessionnaire ou votre atelier spécialisé

Calendrier d'entretien

Le calendrier d'entretien indique les opérations d'entretien nécessaires pour le produit. Les intervalles sont calculés pour une utilisation quotidienne du produit.

	Au quotidien	Toutes les semaines	Une fois par mois	Une fois par an
Nettoyer	Nettoyage extérieur		Bougie	
	Prise d'air froid		Réservoir de carburant	

	Au quotidien	Toutes les semaines	Une fois par mois	Une fois par an
Vérification du fonctionnement	Inspection générale	Système anti-vibrations*	Système de carburant	
	Fuites de carburant	Silencieux*	Filtre à air	
	Système de distribution d'eau	Courroies d'entraînement	Embrayage	
	Blocage de la commande d'accélération*	Carburateur		
	Bouton d'arrêt*	Corps du lanceur		
	Protège-lame et SmartGuard*			
	Lame de coupe*			
Remplacer				Filtre à carburant
* Reportez-vous à la section <i>Dispositifs de sécurité sur le produit à la page 80.</i>				
** Reportez-vous à <i>Disques de découpe à la page 83.</i>				

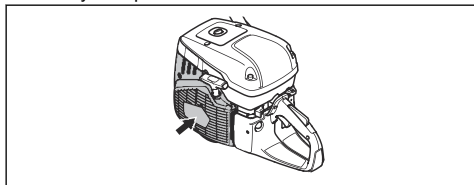
Nettoyage des surfaces extérieures

- Aspergez l'extérieur du produit avec de l'eau propre après chaque journée d'utilisation. Utilisez si nécessaire une brosse.

Pour nettoyer la prise d'air

Remarque: Une prise d'air sale ou bouchée peut provoquer une surchauffe du produit. Ceci peut endommager le piston et le cylindre.

- Nettoyez la prise d'air si nécessaire.



- Éliminez l'obstruction, la saleté et la poussière à l'aide d'une brosse.

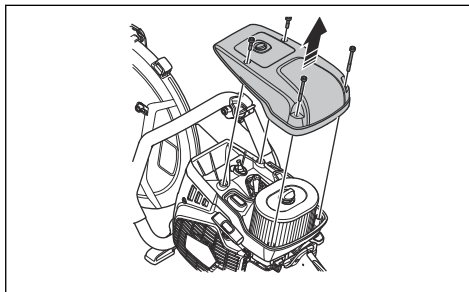
Pour vérifier la bougie



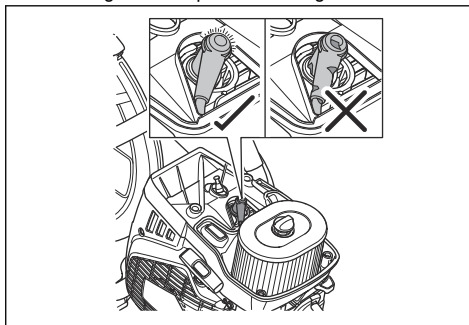
REMARQUE: Utilisez toujours le type de bougie recommandé. L'utilisation d'une bougie incompatible peut endommager le piston/le cylindre. Pour connaître les bougies recommandées, consultez la section *Caractéristiques techniques à la page 106.*

Inspectez la bougie si le produit est déchargé, s'il ne démarre pas facilement ou s'il ne fonctionne pas correctement au régime de ralenti.

- Desserrez les 4 vis et retirez le couvercle de filtre à air.

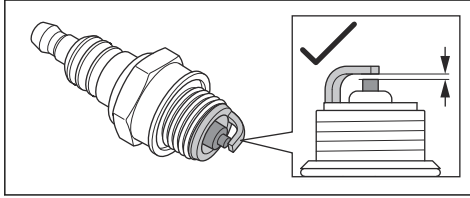


- Assurez-vous que le chapeau de bougie et le câble d'allumage ne sont pas endommagés.

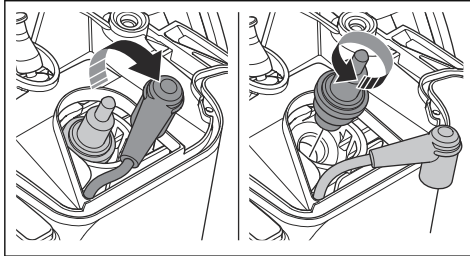


AVERTISSEMENT: un chapeau de bougie et un câble d'allumage endommagés peuvent provoquer un choc électrique.

- Nettoyez la bougie si elle est sale.
- Assurez-vous que l'écartement des électrodes est de 0,5 mm.



- Changez au besoin la bougie.



Pour faire une inspection générale

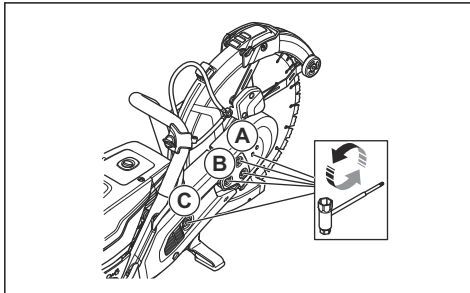
- Assurez-vous que l'ensemble des vis et des écrous du produit sont correctement serrés.

Remplacer la courroie d'entraînement



AVERTISSEMENT: Ne démarrez pas le produit sans les protections ni les caches.

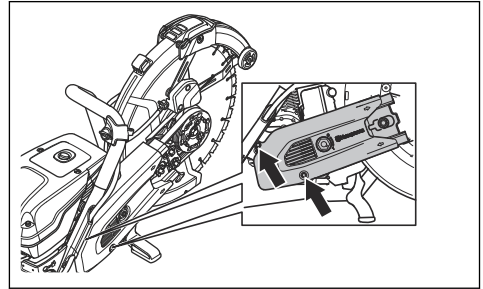
- Serrez la vis (A).



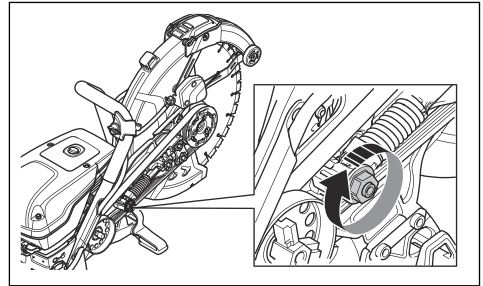
Remarque: cette étape s'applique uniquement au modèle K 970 III 400mm/16in..

- Desserrez les 3 écrous de la tête de coupe (B) et tournez le tendeur de courroie (C) en position « 0 ».
- Retirez le carter avant de la courroie.

- Retirez les 2 vis du carter arrière de la courroie. Retirez le carter arrière de la courroie.



- Remplacer la courroie d'entraînement. Tournez le tendeur de courroie en position « 1 ».

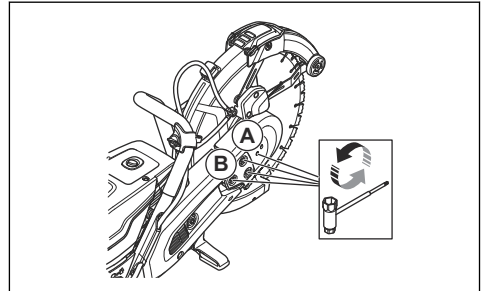


- Installez les 2 carters de courroie en effectuant les mêmes étapes dans l'ordre inverse.

- Réglez la tension de la courroie d'entraînement. Reportez-vous à la section *Réglage de la tension de la courroie d'entraînement* à la page 99.

Réglage de la tension de la courroie d'entraînement

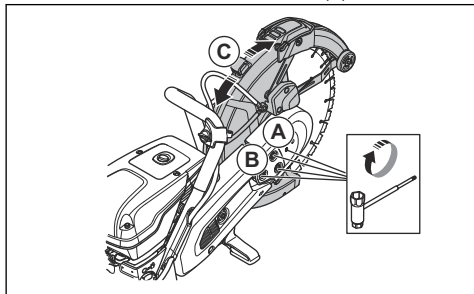
- Serrez la vis (A).



Remarque: cette étape s'applique uniquement au modèle K 970 III 400mm/16in..

- Desserrez les 3 écrous (B).

- Déplacez le protège-lame (C) vers le haut et vers le bas 3 à 5 fois. Serrez les 3 écrous (B).



- Serrez la vis (A).

Remarque: cette étape s'applique uniquement au modèle K 970 III 400mm/16in..

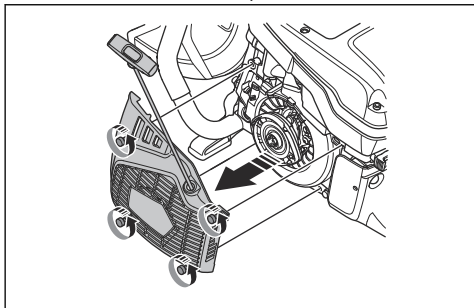
Corps du lanceur



AVERTISSEMENT: Soyez toujours vigilant et utilisez toujours des lunettes de protection lorsque vous changez le ressort de rappel ou le câble du lanceur. Une tension est exercée dans le ressort de rappel lorsqu'il est enroulé dans le corps du lanceur. Le ressort de rappel peut sauter et causer des blessures.

Désinstallation du corps du lanceur

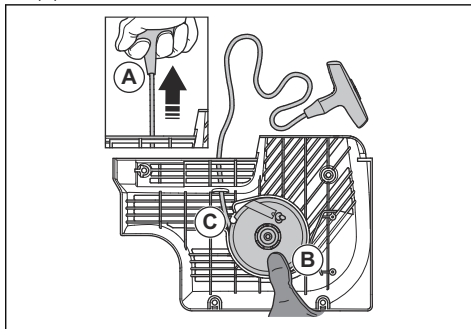
- Desserrez les 4 vis du corps du lanceur.



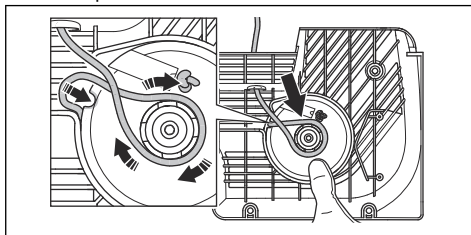
- Déposez le corps du lanceur.

Changement d'un câble de démarreur endommagé

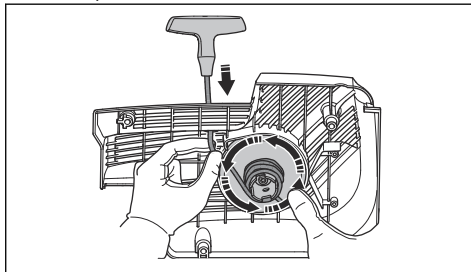
- Faites sortir le cordon du lanceur d'environ 30 cm (A).



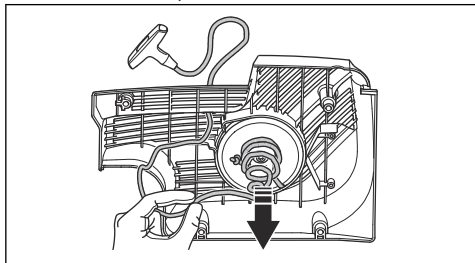
- Tenez la poulie du cordon du lanceur (B) avec votre pouce.
- Dégagez le cordon du lanceur de l'encoche (C) de la poulie du lanceur.
- Placez le cordon du lanceur autour du manchon métallique.



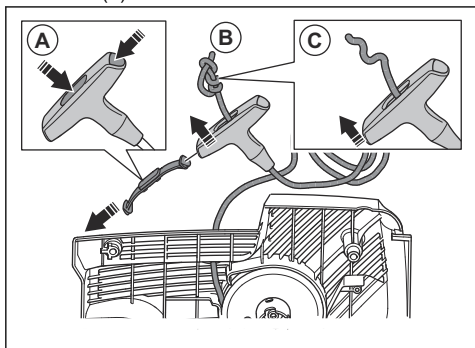
- Laissez la poulie du lanceur tourner lentement et le cordon du lanceur s'enrouler sur le manchon métallique.



6. Tirez sur le cordon du lanceur pour le dégager du manchon métallique.



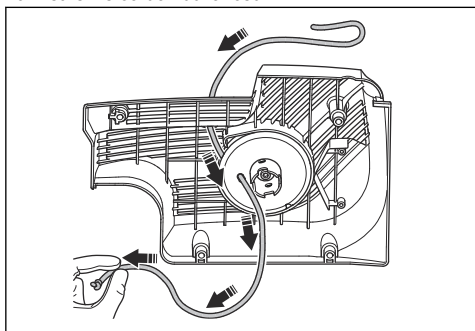
7. Déposez le cache situé sur la poignée du cordon du lanceur (A).



8. Faites passer le cordon du lanceur dans la poignée (B).

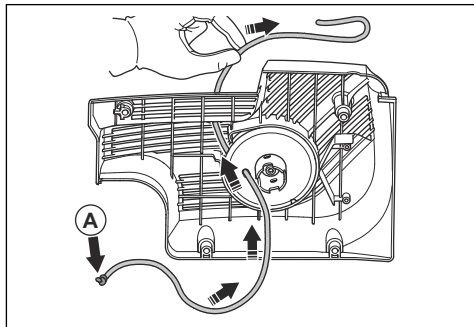
9. Relâchez le nœud (C).

10. Retirez le cordon du lanceur.

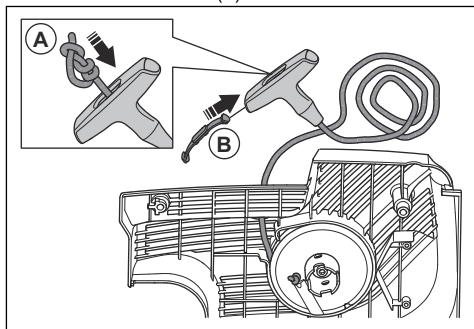


11. Vérifiez que le ressort de rappel est propre et intact.

12. Placez un cordon de lanceur neuf (A) dans le trou du carter de lanceur.



13. Tirez le cordon du lanceur à travers la poignée du cordon du lanceur et réalisez un nœud à l'extrémité du cordon du lanceur (A).

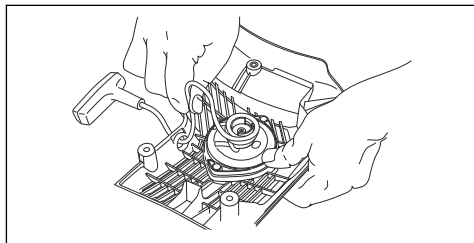


14. Fixez le cache sur la poignée du cordon du lanceur (B).

15. Réglez la tension du ressort de rappel. Reportez-vous à la section *Réglage de la tension du ressort de rappel* à la page 101.

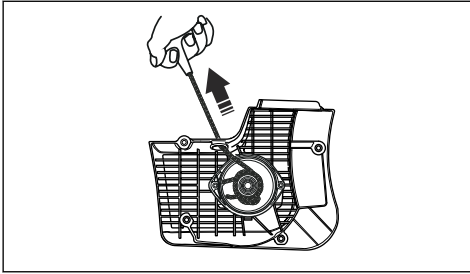
Réglage de la tension du ressort de rappel

1. Placez la corde dans l'encoche de la poulie du lanceur. Enroulez la corde 3 tours dans le sens des aiguilles d'une montre autour du centre de la poulie du lanceur.



2. Tirez sur le bouton de démarrage pour régler la tension du ressort de rappel.

- Placez la corde dans l'encoche de la poulie du lanceur. Enroulez la corde 4 tours dans le sens des aiguilles d'une montre autour du centre de la poulie du lanceur.
- Tirez sur le bouton de démarrage pour régler la tension du ressort de rappel.



Remarque: le bouton du lanceur se met en position une fois la tension ajustée.

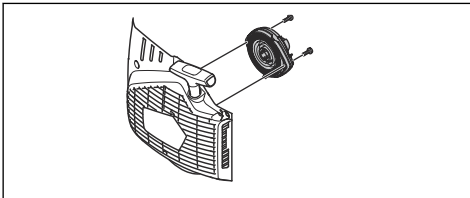
- Tirez complètement sur le cordon du lanceur pour vous assurer que le ressort de rappel n'est pas dans sa position finale. Faites tourner la poulie du lanceur délicatement avec votre pouce.
- Assurez-vous que la poulie du lanceur peut être tournée au moins un demi-tour avant que le ressort de rappel n'arrête les mouvements.

Démontage du système à ressort



AVERTISSEMENT: utilisez toujours des protections pour les yeux lorsque vous retirez l'ensemble ressort. Il existe un risque de blessure aux yeux, surtout si un ressort est cassé.

- Retirez les 2 vis du système à ressort.



- Plaquez les 2 supports de fixation sur les verrous de fixation à l'aide d'un tournevis.

Nettoyage du système à ressort



REMARQUE: Ne retirez pas le ressort du système.

- Nettoyez le ressort à l'air comprimé jusqu'à ce qu'il soit propre.
- Appliquez une huile légère sur le ressort.

Fixation du système à ressort

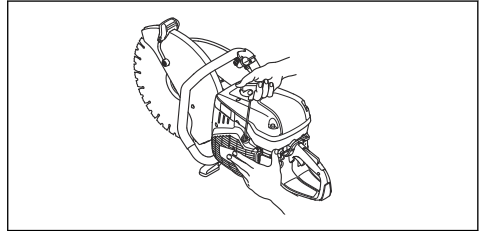
- Le montage s'effectue dans l'ordre inverse de *Démontage du système à ressort à la page 102.*

Installation du corps du lanceur



REMARQUE: Les cliquets du lanceur doivent être plaqués contre le manchon de la poulie.

- Placez le corps du lanceur contre le produit.
- Tirez et relâchez lentement le cordon du lanceur jusqu'à ce que la poulie du cordon du lanceur s'engage dans les cliquets du lanceur.



- Serrez les 4 vis sur le corps du lanceur.

Inspection du carburateur

Remarque: Le carburateur possède des aiguilles rigides de manière à garantir que le produit reçoit toujours le bon mélange d'air et de carburant.

- Vérifiez le filtre à air. Reportez-vous à *Pour effectuer l'entretien du filtre à air à la page 103*
- Changez au besoin le filtre à air.
- Si la puissance ou la vitesse du moteur continue de baisser, prenez contact avec le service Husqvarna après-vente local.

Pour examiner le système de carburant

- Vérifiez que le bouchon du réservoir à essence et son joint ne sont pas endommagés.
- Vérifiez le tuyau de carburant. Remplacez le tuyau s'il est endommagé.

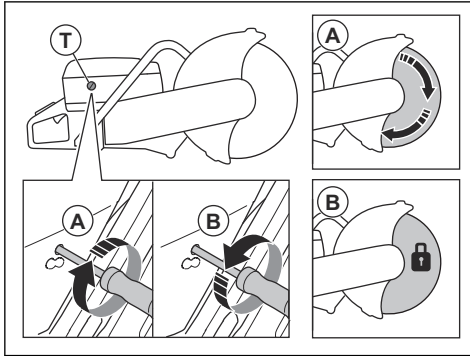
Pour régler le régime de ralenti



AVERTISSEMENT: Si la lame de coupe tourne au ralenti, contactez le service après-vente. N'utilisez pas le produit tant que le ralenti n'est pas correctement réglé ou réparé.

Remarque: Pour connaître le régime de ralenti recommandé, reportez-vous à la section *Caractéristiques techniques à la page 106.*

1. Démarrez le moteur.
2. Vérifiez le régime de ralenti. Lorsque le carburateur est correctement réglé, la lame de coupe s'arrête lorsque le moteur tourne au ralenti.
3. Utilisez la vis à tête fraisée pour régler le ralenti.



- a) Tournez la vis dans le sens des aiguilles d'une montre jusqu'à ce que la lame commence à tourner (A).
- b) Tournez la vis dans le sens contraire des aiguilles d'une montre jusqu'à ce que la lame s'arrête (B).

Filter à carburant

Le filtre à carburant se trouve à l'intérieur du réservoir de carburant. Le filtre à carburant empêche la contamination du réservoir de carburant lorsque celui-ci est rempli. Le filtre à carburant doit être changé tous les ans ou plus fréquemment, s'il est encrassé.



REMARQUE: Ne nettoyez pas le filtre à carburant.

Pour effectuer l'entretien du filtre à air



REMARQUE: Veillez à démonter le filtre à air délicatement. Les particules qui tombent dans l'admission du carburateur peuvent l'endommager.



REMARQUE: Ne nettoyez pas le filtre à air. Le filtre à air est en papier, ce qui le rend donc très fragile.

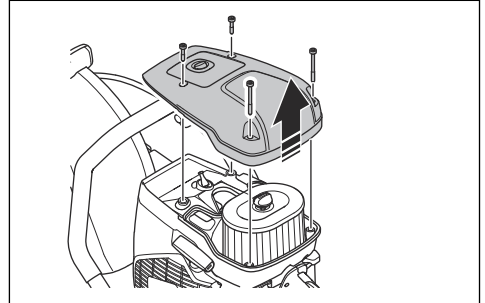


AVERTISSEMENT: utilisez une protection respiratoire homologuée lorsque vous remplacez le filtre à air. La poussière présente dans le filtre à air est dangereuse pour la santé. Mettez au rebut les filtres à air usés de manière appropriée.

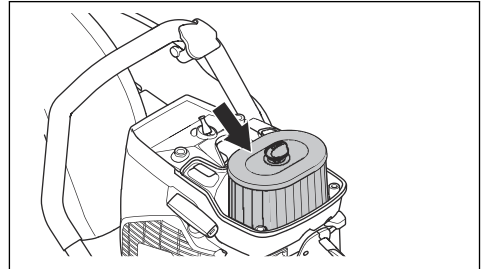
Remarque: Ne changez le filtre à air que s'il est endommagé.

Inspectez l'état du filtre à air si la puissance du moteur diminue.

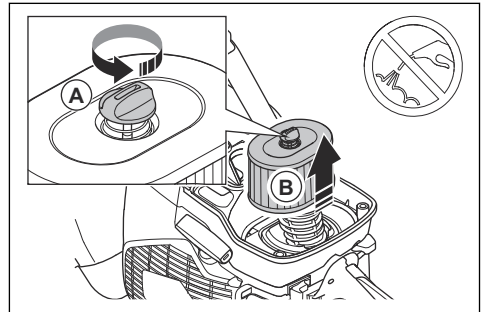
1. Desserrez les 4 vis qui maintiennent en place le cache du filtre à air.
2. Retirez le couvercle du filtre à air.



3. Vérifiez le filtre à air.



4. Remplacez le filtre à air s'il est endommagé.
 - a) Desserrez la vis (A) et retirez le filtre à air (B).

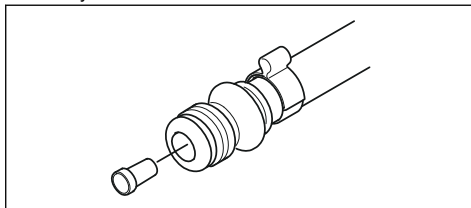


- b) Installez le filtre à air.
5. Remettez le couvercle du filtre à air en place.
 6. Serrez les 4 vis.

Examen du système d'approvisionnement en eau

1. Examinez les buses situées sur le protège-lame et assurez-vous qu'elles ne sont pas obstruées.
2. Nettoyez-les si nécessaire.
3. Examinez le filtre situé sur le connecteur d'eau. Assurez-vous qu'il n'est pas bouché.

4. Nettoyez-les si nécessaire.



Dépannage

Problème	Cause	Solutions possibles
Le produit ne démarre pas.	La procédure de démarrage est effectuée correctement.	Reportez-vous à <i>Démarrage du produit lorsque le moteur est froid à la page 94</i> et <i>Démarrage du produit lorsque le moteur est chaud à la page 96</i> .
	Le bouton d'arrêt est dans la bonne position (STOP).	Veiller à ce que le bouton d'arrêt (STOP) soit sur sa position de gauche.
	Le réservoir de carburant ne contient pas de carburant.	Faites le plein de carburant.
	La bougie d'allumage est défectueuse.	Remplacez la bougie.
	L'embrayage est défectueux.	Contactez votre agent d'entretien.
La lame de coupe tourne au ralenti.	Le ralenti est trop élevé.	Réglez le ralenti.
	L'embrayage est défectueux.	Contactez votre agent d'entretien.
La lame de coupe ne tourne pas lorsque l'opérateur accélère.	La courroie est trop détendue ou défectueuse.	Tendez la courroie ou remplacez-la par une neuve.
	L'embrayage est défectueux.	Contactez votre agent d'entretien.
	La lame de coupe est mal installée.	Vérifiez que la lame de coupe est installée correctement.
Le produit n'est pas sous tension lorsque l'opérateur essaie d'accélérer.	Le filtre à air est bouché.	Vérifiez le filtre à air. S'il est défectueux, remplacez-le.
	Le filtre à carburant est bouché.	Remplacez le filtre à carburant.
	Le débit du réservoir de carburant est bloqué.	Contactez votre agent d'entretien.
Les niveaux de vibration sont trop élevés.	La lame de coupe est mal installée.	Vérifiez que la lame de coupe est bien fixée et qu'elle n'est pas endommagée. Reportez-vous à la section <i>Pour installer le disque de découpe à la page 87</i> .
	La lame de coupe est défectueuse.	Déposez la lame de coupe et assurez-vous qu'elle n'est pas défectueuse.
	Une unité anti-vibrations est défectueuse.	Contactez votre agent d'entretien.

Problème	Cause	Solutions possibles
La température du produit est trop élevée.	La prise d'air ou les brides de cylindre sont bouchées.	Nettoyez la prise d'air et les brides de cylindre.
	La tension de la courroie d'entraînement n'est pas suffisante.	Inspectez la courroie. Réglez la tension.
	L'embrayage est défectueux.	Toujours couper à plein régime.
Examinez l'embrayage. Contactez votre agent d'entretien.		
La puissance ou la vitesse du moteur diminue.	Le filtre à air est bouché.	Vérifiez le filtre à air. Reportez-vous à la section <i>Pour effectuer l'entretien du filtre à air à la page 103.</i>
Le fonctionnement génère beaucoup de poussière. Vous pouvez voir de la poussière dans l'air.	L'approvisionnement en eau ou la pression de l'eau n'est pas suffisant(e).	Vérification de l'approvisionnement en eau du produit.
		Reportez-vous à la section <i>Examen du système d'approvisionnement en eau à la page 104.</i>
Le SmartGuard ne se déplace pas librement.	Les pièces mobiles du SmartGuard sont obstruées.	Nettoyez les pièces mobiles.
Le SmartGuard ne se rétracte pas lorsque le produit est retiré de la pièce à découper.	Les ressorts du SmartGuard ne fonctionnent pas correctement.	Vérifiez les ressorts. Nettoyez les ressorts.

Transport, entreposage et mise au rebut

Transport et stockage

- Sécurisez le produit lors de son transport pour éviter tout dommage ou accident.
- Retirez la lame de coupe avant de transporter ou de remiser le produit.
- Conservez le produit dans un endroit verrouillé afin que des enfants ou personnes qui ne sont pas autorisées à l'utiliser ne puissent pas y avoir accès.
- Remisez les lames de coupe dans un endroit sec et à l'abri du gel.
- Avant l'assemblage, vérifiez que toutes les lames neuves et usagées ne sont pas endommagées lors du transport et du stockage.
- Nettoyez et effectuez l'entretien du produit avant de le remiser. Reportez-vous à la section *Calendrier d'entretien à la page 97.*

- Vidangez le carburant du réservoir de carburant si vous ne prévoyez pas de l'utiliser avant longtemps.

Mise au rebut

- Respectez les consignes locales de recyclage et la réglementation en vigueur.
- Mettez au rebut tous les produits chimiques tels que l'huile ou le carburant à un centre d'entretien ou à une déchetterie appropriée.
- Lorsque vous n'utilisez plus le produit, renvoyez-le à un Husqvarnaconcessionnaire ou mettez-le au rebut dans une déchetterie.

Caractéristiques techniques

Caractéristiques techniques

	K 970 III, K 970 III Res- cue	K 970 SmartGuard
Cylindrée, cm ³ /po ³	93,6/5,7	93,6/5,7
Alésage du cylindre, mm/po	56/2,2	56/2,2
Course, mm/po.	38/1,5	38/1,5
Régime de ralenti, tr/min	2 700	2 700
Pleins gaz, sans charge, tr/min	9 300 (+/- 150)	9 300 (+/- 150)
Puissance, kW/ch à tr/min	4,8/6,5 à 9 000	4,8/6,5 à 9 000
Bougie	NGK BPMR 7A	NGK BPMR 7A
Écartement des électrodes, mm/po.	0,5/0,02	0,5/0,02
Capacité du réservoir de carburant, l/fl oz US	1/33,8	1/33,8
Pression d'eau recommandée, bar/PSI	0,5-10/7-150	0,5-10/7-150
Poids		
Découpeuse sans carburant et lame de coupe de 350 mm (14 po), kg/lb*	11,0/24,3	11,9/26,2
*Sangle de transport Rescue, 0,4 kg (0,9 lb) supplémentaire.		
Découpeuse sans carburant ni lame de coupe 400 mm (16 po), kg/lb	11,6/24,6	N/A
Rotation, arbre de sortie		
Vitesse de broche max. avec lame de coupe 350 mm (14 po), tr/min	4 700	4 700
Vitesse de broche max. avec lame de coupe 400 mm (16 po), tr/min	4 300	N/A
Vitesse périphérique max., m/s ou pi/min	90 ou 18000	90 ou 18000
Émissions sonores		
Niveau de puissance sonore, mesuré dB(A)	114	114
Niveau de puissance sonore, garanti L _{WA} dB (A) ⁷	115	115
Niveau de pression sonore équivalent à l'oreille de l'utilisateur, en dB (A) ⁸	104	104

⁷ Les émissions sonores dans l'environnement sont mesurées comme puissance sonore (L_{WA}) conformément à la directive 2000/14/EC. Le niveau de puissance sonore garanti diffère du niveau mesuré car il prend en compte la dispersion dans les résultats mesurés ainsi que les variations d'une unité à l'autre du même produit, conformément à la directive 2000/14/EC.

⁸ Le niveau de pression sonore équivalent, selon la norme EN ISO 19432, correspond à la somme d'énergie pondérée en fonction du temps pour divers niveaux de pression sonore à différents régimes. Les données reportées pour le niveau de pression sonore équivalent pour le produit montrent une dispersion statistique type (déviations standard) de 1 dB (A).

	K 970 III, K 970 III Res-cue	K 970 SmartGuard
Niveaux de vibration équivalents, a_{Hveq}⁹		
Poignée avant/arrière 350 mm (14 po), m/s ²	3,8/4,2	4,5/3,7
Poignée avant/arrière 400 mm (16 po), m/s ²	3,5/4,0	N/A

Dimensions de lame de coupe recommandées

Diamètre de la lame de coupe, mm/po	Profondeur de coupe maximale, mm/po	Vitesse de rotation de la lame, t/min	Vitesse de rotation de la lame, m/s ou pi/min	Diamètre du trou central de la lame, mm/po	Épaisseur de lame max., mm/po
350/14	125/5	5 500	100 ou 19600	25,4/1 ou 20/0,79	5/0,2
400/16	155/6	4775	100 ou 19600	25,4/1 ou 20/0,79	5/0,2

Déclaration relative au bruit et aux vibrations

Ces valeurs déclarées ont été obtenues grâce à des essais types effectués en laboratoire conformément à la directive ou aux normes mentionnées. Elles conviennent à l'établissement d'une comparaison avec les valeurs déclarées d'autres produits testés conformément aux mêmes normes ou à la même directive. Ces valeurs ne

sont pas adaptées à une utilisation à des fins d'évaluations des risques ; les valeurs mesurées dans différents lieux de travail peuvent être plus élevées. Les valeurs d'exposition réelles et les risques de blessures rencontrés par chaque utilisateur sont uniques et dépendent de la manière dont l'utilisateur travaille, dans quel matériau le produit est utilisé, mais aussi de la durée d'exposition, de la condition physique de l'utilisateur et de l'état du produit.

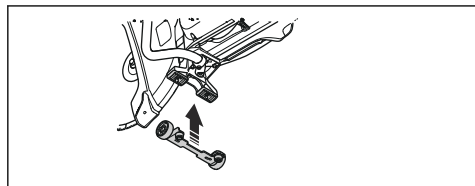
Accessoires

Capteur pour Husqvarna Fleet Services™

Ce produit est compatible avec le capteur de machine Husqvarna Fleet. Le produit peut alors être connecté à Husqvarna Fleet Services™. Il s'agit d'une solution cloud qui permet au gestionnaire du parc commercial d'avoir un aperçu de tous les produits. Pour en savoir plus sur Husqvarna Fleet Services™, reportez-vous à la section www.husqvarna.com.

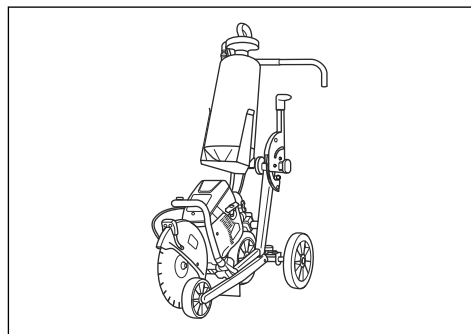
Kit de roues

Le kit de roues est fixé sur le bas du produit.



Chariot de découpe

Un chariot de découpe permet de couper plus facilement dans les sols et les routes, particulièrement les découpes longues à une profondeur établie. Les connexions rapides facilitent l'installation du produit sur le chariot de découpe.



⁹ Le niveau de vibrations équivalent, selon la norme EN ISO 19432, correspond à la somme d'énergie pondérée pour les niveaux de vibrations à différents régimes. Les données reportées pour le niveau de vibrations équivalent montrent une dispersion statistique type (déviations standard) de 1m/s².

Déclaration de conformité CE

Déclaration de conformité CE

Nous, **Husqvarna AB**, SE-561 82 Huskvarna, Suède,
tél : +46-36-146500, déclarons sous notre entière
responsabilité que le produit :

Description	Découpeuse portative
Marque	Husqvarna
Type/Modèle	K 970 III, K 970 III Rescue, K 970 SmartGuard
Identification	Numéros de série à partir de 2020 et ultérieurs

est entièrement conforme à la réglementation et aux
directives de l'UE suivantes :

Directive/Réglementation	Description
2006/42/EC	« relative aux machines »
2000/14/EC	« relative au bruit extérieur »
2014/30/EU	« relative à la compatibilité électromagnétique »
2011/65/EU	« relative aux limitations de l'utilisation de substances dangereuses »

et que les normes harmonisées et/ou les spécifications
techniques suivantes sont appliquées :

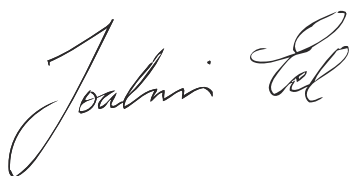
EN ISO 12100:2010, EN ISO 19432:2012, EN ISO
19432-1:2020

EN 55012:2008+A1:2009, EN ISO 14982:2009

RISE SMP Svensk Maskinprovning AB, Box 7035,
SE-750 07 Uppsala, Suède, a procédé à des examens
de type volontaire conformément à la directive relative
aux machines (2006/42/CE). Numéro de certificat : SEC/
10/2286

Organisme notifié : 0404, RISE SMP Svensk
Maskinprovning AB, Box 7035, SE-750 07 Uppsala,
Suède, a confirmé la conformité à la directive du conseil
2000/14/CE, Annexe V. Numéro de certificat :
01/169/036. Pour toute information relative aux
émissions sonores, veuillez consulter le chapitre
Données techniques.

Partille, 2020-04-14



Joakim Ed

Vice-président, découpe et forage de béton et
démolition légère

Husqvarna AB, division Construction

Responsable de la documentation technique

Inhoud

Inleiding.....	109	Probleemoplossing.....	140
Veiligheid.....	113	Vervoer, opslag en verwerking.....	141
Montage.....	119	Technische gegevens.....	141
Werking.....	124	Accessoires.....	143
Onderhoud.....	133	EG verklaring van overeenstemming.....	144

Inleiding

Productbeschrijving

Deze Husqvarna K 970 III, K 970 III Rescue en K 970 SmartGuard doorslijpmachines zijn draagbare, handbediende doorslijpers, aangedreven door een tweetaktverbrandingsmotor.

Gebruik

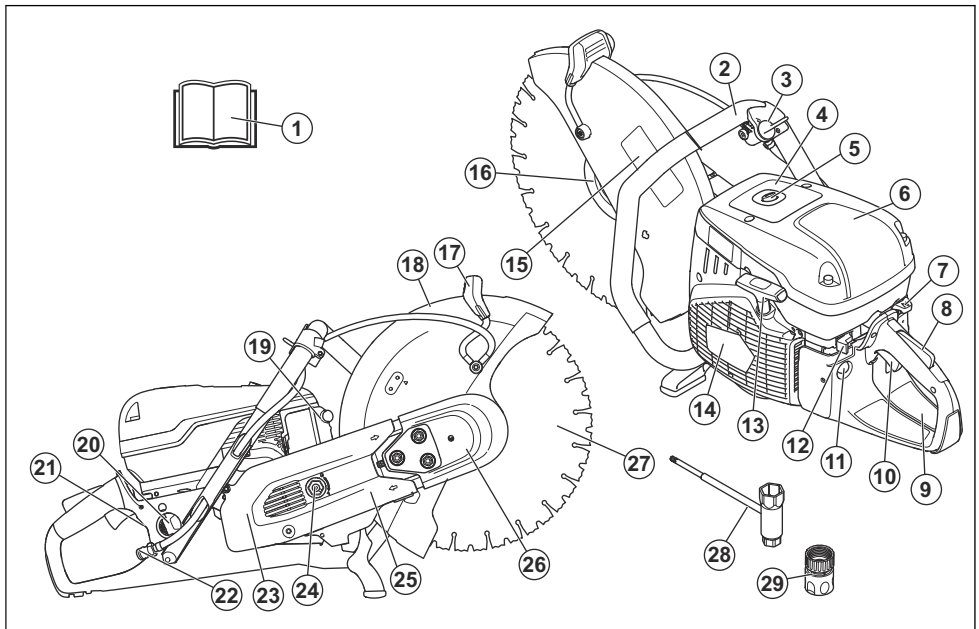
Het product wordt gebruikt om harde materialen zoals beton, metselwerk, steen en staal te zagen. Gebruik het

product niet voor andere taken. Het product mag uitsluitend worden gebruikt door professionele gebruikers met ervaring.

Er wordt voortdurend gewerkt aan het verhogen van uw veiligheid en efficiëntie tijdens bedrijf. Neem voor meer informatie contact op met uw servicedealer.

Let op: Het gebruik van deze machine kan beperkt worden door lokale regelgeving.

Productoverzicht K 970 III

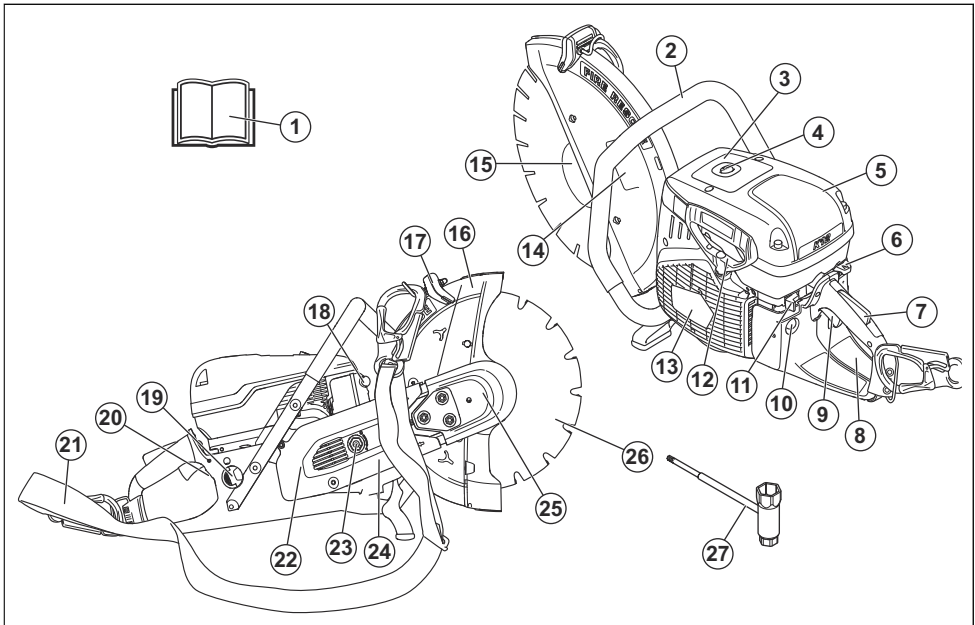


1. Bedieningshandleiding
2. Voorhandgreep
3. Waterklep
4. Informatie- en waarschuwingsplaatje
5. Decompressieklep
6. Luchtfilterdeksel
7. Chokehendel
8. Gashendelvergrendeling
9. Sticker startinstructie
10. Gashendel

11. Primerbalg van brandstofpomp
12. Stopschakelaar
13. Startkoordhendel
14. Starterhuis
15. Sticker snijuitrusting
16. Flens, spil, spilbus
17. Afstelhandgreep voor beschermkap
18. Bladbeschermkap
19. Geluiddemper
20. Brandstoftankdop

21. Typeplaatje
22. Wateraansluiting met filter
23. Riembescherming
24. Riemspringer
25. Zaagarm
26. Zaagkop
27. Zaagblad (niet meegeleverd)
28. Ring-steeksleutel
29. Wateraansluiting, GARDENA®

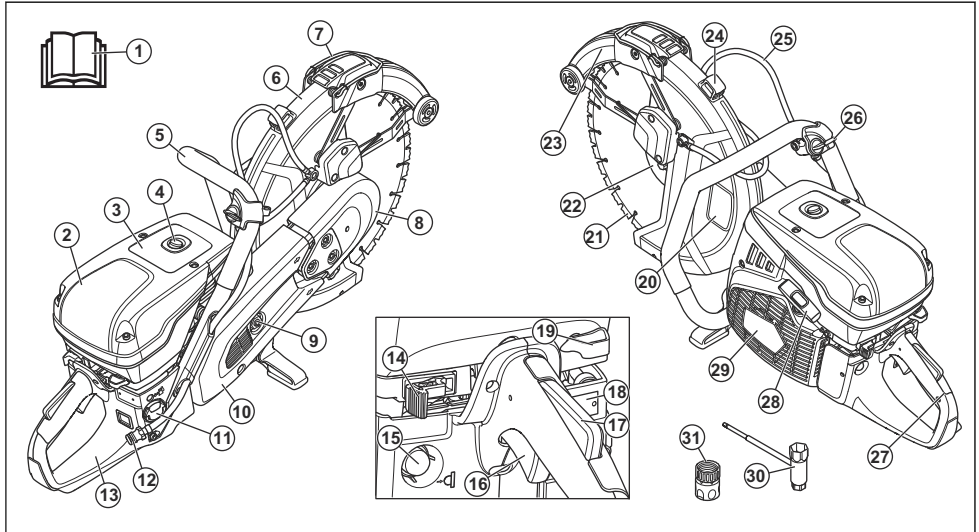
Productoverzicht K 970 III Rescue



1. Bedieningshandleiding
2. Voorhandgreep
3. Informatie- en waarschuwingsplaatje
4. Decompressieklep
5. Luchtfilterdeksel
6. Chokeyhendel
7. Gashendelvergrendeling
8. Sticker startinstructie
9. Gashendel
10. Primerbalg van brandstofpomp
11. Stopschakelaar
12. Startkoordhendel
13. Starterhuis
14. Sticker snijuitrusting

15. Flens, spil, spilbus
16. Bladbeschermkap
17. Afstelhandgreep voor beschermkap
18. Geluiddemper
19. Brandstoftankdop
20. Typeplaatje
21. Schouderriem
22. Riembescherming
23. Riemspringer
24. Zaagarm
25. Zaagkop
26. Zaagblad (niet meegeleverd)
27. Ring-steeksleutel

Productoverzicht K 970 SmartGuard



1. Bedieningshandleiding
2. Luchtfilterdeksel
3. Informatie- en waarschuwingsplaatje
4. Decompressieklep
5. Voorhandgreep
6. Bladbeschermkap
7. SmartGuard-hendel
8. Zaagkop
9. Riemspringer
10. Zaagarm
11. Dop benzinetank
12. Wateraansluiting met filter
13. Sticker startinstructie
14. Stopschakelaar
15. Primerbalg van brandstofpomp
16. Gashendel
17. Gashendelvergrendeling
18. Typeplaatje
19. Chokehendel
20. Sticker snijuitrusting
21. Zaagblad (niet meegeleverd)
22. Flens, spil, spilbus
23. SmartGuard
24. Afstelhandgreep voor beschermkap
25. Waterslang
26. Waterklep
27. Achterhandgreep
28. Startkoordhendel
29. Starterhuis

30. Ring-steeksleutel
31. Wateraansluiting GARDENA®

Symbolen op het product



WAARSCHUWING: Dit product kan gevaarlijk zijn en ernstig of fataal letsel toebrengen aan de gebruiker of anderen. Wees voorzichtig en gebruik het product op de juiste manier.



Lees de bedieningshandleiding goed door en zorg dat u de instructies hebt begrepen voordat u dit product gaat gebruiken.



Gebruik een goedgekeurde veiligheidshelm, gehoorbescherming, oogbescherming en ademhalingsbescherming. Zie *Persoonlijke beschermingsuitrusting op pagina 115*.



Dit product voldoet aan de geldende EG-richtlijnen.



Er ontstaat stof bij het zagen. Stof kan schadelijk zijn als het wordt ingeademd. Gebruik goedgekeurde ademhalingsbescherming. Vermijd het inademen van uitlaatgassen. Zorg voor voldoende ventilatie.



WAARSCHUWING! Een terugslag kan plotseling, snel en krachtig zijn en kan levensbedreigend letsel veroorzaken. Lees de gebruiksaanwijzing aandachtig door en gebruik het product niet voordat u de instructies goed hebt begrepen. Zie *Terugslag op pagina 124*.



Vonken van het zaagblad kunnen brand veroorzaken in brandstof, hout, kleding, droog gras of andere brandbare materialen.



Controleer of het zaagblad geen barsten of andere beschadigingen vertoont.



Gebruik geen zaagbladen bestemd voor cirkelzagen.



Choke



Primerbalg van brandstofpomp



Decompressieklep



Startkoordhendel

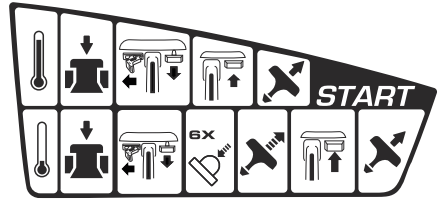


Gebruik een brandstofmengsel van benzine en olie.



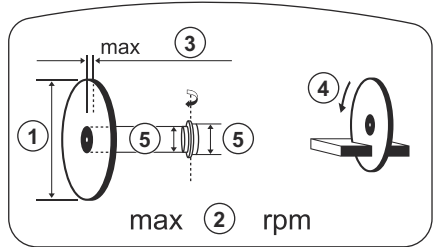
De geluidsemissie is in overeenstemming met geldende EU-richtlijnen. De geluidsemissie van het product is vermeld in *Persoonlijke beschermingsuitrusting op pagina 115* en op het etiket.

Sticker startinstructies



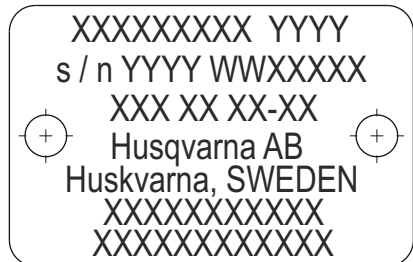
Zie *Het product starten met een koude motor op pagina 130* en *Het product starten met een warme motor op pagina 131* voor instructies.

Sticker snijuitrusting



1. Diameter zaagblad
2. Max. toerental van uitgaande as
3. Max. bladdekte
4. Draairichting
5. Lagerafmeting

Typeplaatje



Rij 1: Merk, model (X, Y)

Rij 2: Serienr. met productiedatum (Y, W, X): Jaar, week, volgnr.

Rij 3: Productnr. (X)

Rij 4: Fabrikant

Rij 5: Adres fabrikant

Let op: Overige op het product aangebrachte symbolen/plaatjes verwijzen naar specifieke eisen aan certificering voor bepaalde markten.

Euro V-emissies



WAARSCHUWING: De EU-typegoedkeuring van dit product vervalt als ongeoorloofde wijzigingen aan de motor aangebracht worden.

Productaansprakelijkheid

Zoals uiteengezet in de wet voor productaansprakelijkheid zijn wij niet aansprakelijk voor schade die door ons product wordt veroorzaakt, indien:

- het product niet goed is gerepareerd.
- het product is gerepareerd met onderdelen die niet van de fabrikant afkomstig zijn, of onderdelen die niet zijn goedgekeurd door de fabrikant.
- het product een accessoire bevat dat niet afkomstig is van de fabrikant of niet is goedgekeurd door de fabrikant.
- het product niet is gerepareerd door een erkend servicepunt of door een erkende autoriteit.

Veiligheid

Veiligheidsdefinities

Waarschuwingen, voorzorgsmaatregelen en opmerkingen worden gebruikt om te wijzen op belangrijke delen van de handleiding.



WAARSCHUWING: Wordt gebruikt om te wijzen op de kans op ernstig of fataal letsel voor de gebruiker of omstanders wanneer de instructies in de handleiding niet worden gevolgd.



OPGELET: Wordt gebruikt indien er een risico bestaat op schade aan het product en andere eigendommen of aan de omgeving wanneer de instructies in de handleiding niet worden gevolgd.

Let op: Geven verdere informatie die nodig is in een bepaalde situatie.

Algemene veiligheidsinstructies



WAARSCHUWING: Lees de volgende waarschuwingen voordat u het product gaat gebruiken.

- Een doorslijpmachine kan bij onoplettend of onjuist gebruik een gevaarlijk apparaat zijn dat ernstig letsel of de dood kan veroorzaken. Het is erg belangrijk dat u deze bedieningshandleiding leest en begrijpt. Wij adviseren ook om nieuwe gebruikers praktijklessen te geven voordat zij het product gaan gebruiken.
- Breng geen wijzigingen aan dit product aan. Wijzigingen aan het product die niet zijn goedgekeurd door de fabrikant, kunnen leiden tot ernstig letsel of overlijden.
- Gebruik het product niet als de mogelijkheid bestaat dat andere personen wijzigingen aan het product hebben aangebracht.

- Gebruik altijd originele accessoires en reserveonderdelen. Accessoires en wijzigingen die niet zijn goedgekeurd door de fabrikant, kunnen leiden tot ernstig letsel of overlijden.
- Houd het product schoon. Zorg ervoor dat u de aanduidingen en stickers duidelijk kunt lezen.
- Laat de machine nooit gebruiken door kinderen of andere personen die niet zijn opgeleid voor het gebruik van of onderhoud aan het product.
- Zorg ervoor dat dit product alleen wordt gebruikt door personen die de inhoud van de gebruikershandleiding hebben gelezen en begrepen.
- Het product mag alleen worden gebruikt door goedgekeurde personen.
- Dit product produceert tijdens bedrijf een elektromagnetisch veld. Dit veld kan onder bepaalde omstandigheden de werking van actieve of passieve medische implantaten verstoren. Om het risico op ernstig of fataal letsel te verminderen, raden we personen met een medisch implantaat aan om contact op te nemen met hun arts en de fabrikant van het medische implantaat voordat ze dit product gebruiken.
- De informatie in deze gebruikershandleiding kan nooit de kennis vervangen die een vakman via opleidingen en praktische ervaring heeft verworven. Wanneer u in een situatie belandt waarin u niet goed weet hoe u verder te werk moet gaan, moet u een expert raadplegen. Neem contact op met uw servicedealer. Vermijd gebruik waarvan u vindt dat u niet voldoende gekwalificeerd bent.

Veiligheidsinstructies voor bediening



WAARSCHUWING: Lees de volgende waarschuwingen voordat u het product gaat gebruiken.

- Voordat u een doorslijpmachine gaat gebruiken, moet u eerst de effecten van terugslag begrijpen en weten hoe u dit kunt voorkomen. Zie *Terugslag op pagina 124*.

- Voer de in deze bedieningshandleiding beschreven veiligheidscontroles en onderhouds- en servicetaken uit. Sommige onderhouds- en servicewerkzaamheden moeten worden uitgevoerd door een erkend servicecentrum. Zie *Inleiding op pagina 133*.
- Gebruik het product niet als het defect is.
- Gebruik het product nooit als u moe of ziek bent, of onder invloed van alcohol, drugs of medicijnen verkeert. Ze kunnen een negatief effect hebben op uw zicht, alertheid, coördinatie of oordeel.
- Start het product niet zonder dat de riem en de riembescherming gemonteerd zijn. De koppeling kan losraken en letsel veroorzaken.
- Vonken van het zaagblad kunnen brand veroorzaken in brandbare materialen zoals benzine, gas, hout, kleding en droog gras.
- Zaag nooit asbestmaterialen.

Veiligheid van het werkgebied



WAARSCHUWING: Lees de volgende waarschuwingen voordat u het product gaat gebruiken.

- De veiligheidsafstand voor de doorslijpmachine bedraagt 15 m. U dient ervoor te zorgen dat dieren en omstanders zich niet in het werkgebied bevinden.
- Gebruik het product pas als het werkgebied vrij is en uw voeten en lichaam zich in een stabiele positie bevinden.
- Kijk uit voor personen, objecten en situaties die een veilig gebruik van het product kunnen verhinderen.
- Zorg ervoor dat mensen of voorwerpen niet met de doorslijpmachine in contact kunnen komen, of geraakt kunnen worden door delen die door de schijf worden gelanceerd.
- Gebruik het product niet bij mist, regen, harde wind, koud weer, risico op blikseminslag of andere slechte weersomstandigheden. Het gebruik van het product bij slecht weer kan uw alertheid negatief beïnvloeden. Slecht weer kan leiden tot gevaarlijke werksituaties zoals gladde ondergronden.
- Zorg er tijdens het gebruik van het product voor dat er geen materiaal los kan raken of kan vallen en letsel kan veroorzaken bij de gebruiker.
- Wees voorzichtig wanneer u het product op een helling bedient.
- Zorg dat het werkgebied schoon en goed verlicht is.
- Voordat u het product gebruikt, dient u te controleren of er verborgen gevaren zijn, zoals elektrische kabels, water- en gasleidingen en brandbare stoffen in het werkgebied. Als het product een niet-zichtbaar object raakt, stop dan de motor onmiddellijk en onderzoek het product en het voorwerp. Gebruik het product pas weer als u zeker weet dat het veilig is om door te gaan.
- Voordat u in een drum, pijp of andere container snijdt, moet u controleren of deze geen brandbaar of

ander materiaal bevat dat brand of explosie kan veroorzaken.

Trillingsveiligheid



WAARSCHUWING: Lees de volgende waarschuwingen voordat u het product gaat gebruiken.

- Tijdens het gebruik van het product gaan trillingen van het product naar de gebruiker. Regelmatig en frequent gebruik van het product kan letsel bij de gebruiker veroorzaken of verergeren. Letsel kan optreden in vingers, handen, polsen, armen, schouders en/of zenuwen en bloedtoevoer of andere lichaamsdelen. Het letsel kan slepend en/of blijvend zijn, en het kan geleidelijk toenemen in de loop van weken, maanden of jaren. Het letsel kan bestaan uit schade aan het bloedcirculatiesysteem, het zenuwstelsel, de gewrichten en andere lichaamsstructuren.
- Symptomen kunnen zich voordoen tijdens het gebruik van het product of op andere momenten. Als u symptomen hebt en het product blijft gebruiken, kunnen de symptomen toenemen of permanent worden. Als deze of andere symptomen zich voordoen, neem dan medische hulp:
 - Verstijving, gevoelloosheid, tintelingen, prikken, pijn, een brandend gevoel, kloppen, stijfheid, onhandigheid, krachtverlies, veranderingen in huidskleur of conditie.
- Symptomen kunnen toenemen bij lage temperaturen. Gebruik warme kleding en houd uw handen warm en droog wanneer u het product in koude omgevingen gebruikt.
- Voer onderhoud uit aan en bedien het product zoals vermeld in de gebruikershandleiding, om een correct trillingsniveau te handhaven.
- Het product heeft een trillingsdempingsysteem dat de trillingen van de handgrepen naar de gebruiker vermindert. Laat het product het werk doen. Duw het product niet met kracht vooruit. Houd het product lichtjes vast aan de handgrepen, maar zorg ervoor dat u het product onder controle hebt en het veilig bedient. Duw de handgrepen niet verder dan nodig tegen de eindaanslagen.
- Houd uw handen alleen op het handvat of de handgrepen. Houd alle andere lichaamsdelen uit de buurt van het product.
- Stop het product onmiddellijk als er plotseling sterke trillingen optreden. Ga niet verder met het gebruik tot de oorzaak van de toegenomen trillingen is weggenomen.
- Het zagen van graniet of hard beton veroorzaakt meer trillingen in het product dan wanneer u zacht beton snijdt. Snijuitrusting die stomp, defect, van het onjuiste type of verkeerd geslepen is, verhoogt het trillingsniveau

Veiligheidsaanwijzingen in verband met uitlaatgassen



WAARSCHUWING: Lees de volgende waarschuwingen voordat u het product gaat gebruiken.

- Uitlaatgassen van de motor bevatten koolmonoxide, een geurloos, giftig en uiterst gevaarlijk gas. Het inademen van koolmonoxide kan de dood tot gevolg hebben. Omdat koolmonoxide geurloos en niet zichtbaar is, is het niet mogelijk om het waar te nemen. Een symptoom van koolmonoxidevergiftiging is duizeligheid, maar het is mogelijk dat een persoon onverwacht bewusteloos raakt als de hoeveelheid of concentratie koolmonoxide voldoende is.
- Uitlaatgassen bevatten ook onverbrande koolwaterstoffen, waaronder benzeen. Langdurig inademen hiervan kan gezondheidsproblemen veroorzaken.
- Uitlaatgassen die u kunt zien of ruiken, bevatten ook koolmonoxide.
- Gebruik een product met verbrandingsmotor niet binnen of in ruimten met onvoldoende luchtstroom.
- Adem geen uitlaatgassen in.
- Zorg ervoor dat er toereikende ventilatie in het werkgebied is. Dit is zeer belangrijk wanneer u het product gebruikt in greppels of andere kleine werkgebieden waar uitlaatgassen zich gemakkelijk kunnen verzamelen.

Bescherming tegen stof



WAARSCHUWING: Lees de volgende waarschuwingen voordat u het product gaat gebruiken.

- Gebruik van het product kan stof in de lucht veroorzaken. Stof kan ernstig letsel en permanente gezondheidsproblemen veroorzaken. Silicastof wordt door verschillende instanties als schadelijk beschouwd. Hieronder volgen enkele voorbeelden van dergelijke gezondheidsproblemen:
 - De fatale longaandoeningen chronische bronchitis, silicose en longfibrose
 - Kanker
 - Geboortefwijkingen
 - Huidontsteking
- Gebruik de juiste apparatuur om de hoeveelheid stof en dampen in de lucht te verminderen en om stof op werkuitrusting, oppervlakken, kleding en lichaamsdelen te verminderen. Voorbeelden van beschermende elementen zijn stofopvangsystemen en watersprays om het stof te binden. Verminder waar mogelijk stof bij de bron. Zorg ervoor dat de apparatuur correct wordt geïnstalleerd en gebruikt en dat er regelmatig onderhoud wordt uitgevoerd.

- Gebruik goedgekeurde ademhalingsbescherming. Zorg ervoor dat adembescherming wordt gebruikt bij gevaarlijke materialen in het werkgebied.
- Zorg ervoor dat er toereikende ventilatie in het werkgebied is.
- Richt indien mogelijk de uitlaat van het product op een plaats waar er geen stof in de lucht kan komen.

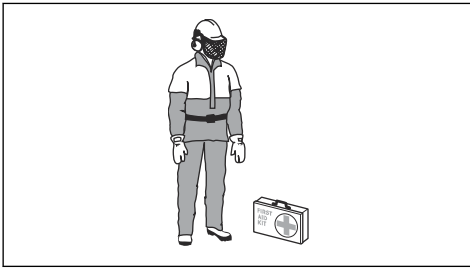
Persoonlijke beschermingsuitrusting



WAARSCHUWING: Lees de volgende waarschuwingen voordat u het product gaat gebruiken.

- Gebruik altijd goedgekeurde persoonlijke beschermingsmiddelen wanneer u het product gebruikt. Een persoonlijke beschermingsuitrusting elimineert de risico's niet, maar vermindert de ernst van het letsel als er toch een ongeluk gebeurt. Vraag uw servicedealer om advies bij de keuze van de juiste uitrusting.
- Draag een goedgekeurde veiligheidshelm.
- Gebruik goedgekeurde gehoorbescherming. Langdurige blootstelling aan lawaai kan leiden tot permanente gehoorbeschadiging. Let op waarschuwingssignalen of geroep wanneer u gehoorbescherming draagt. Doe uw gehoorbescherming altijd af nadat de motor is gestopt.
- Gebruik goedgekeurde oogbescherming om het risico op letsel door wegslingerende voorwerpen te verlagen. Wanneer u gezichtsbescherming gebruikt, moet u ook een goedgekeurde veiligheidsbril gebruiken. Met een goedgekeurde veiligheidsbril wordt een bril bedoeld die voldoet aan norm ANSI Z87.1 voor de VS en EN 166 voor de EU-landen. Een vizier moet voldoen aan norm EN 1731.
- Draag handschoenen van dikke stof.
- Gebruik goedgekeurde ademhalingsbescherming. Het gebruik van producten zoals doorslijpmachines, slijppapparaten en boren om materiaal te schuren of te vormen, kan stof en dampen veroorzaken die gevaarlijke chemicaliën kunnen bevatten. Controleer de aard van het materiaal dat u wilt bewerken en draag een geschikt stofmasker.
- Gebruik nauwsluitende, sterke en comfortabele kleding die u volledige bewegingsvrijheid geeft. Slijpen veroorzaakt vonken die kleding kunnen doen ontbranden. Husqvarna adviseert om kleding van brandvertragend katoen of zware jeansstof te dragen. Draag geen kleding die is vervaardigd van nylon, polyester, rayon of een vergelijkbaar materiaal. Bij ontbranding kan dergelijk materiaal met de huid versmelten. Draag geen korte broek.
- Gebruik laarzen met stalen neus en antislipzool.

- Houd altijd een EHBO-kit in de buurt.



- Vonken kunnen afkomstig zijn van de geluiddemper of het zaagblad. Zorg dat er altijd een brandblusmiddel beschikbaar is.

Veiligheidsvoorzieningen op het product

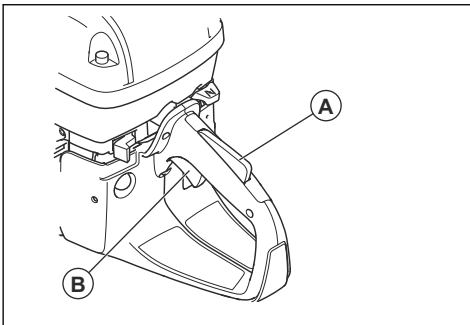


WAARSCHUWING: Lees de volgende waarschuwingen voordat u het product gaat gebruiken.

- Gebruik het product nooit wanneer de veiligheidsvoorzieningen defect zijn.
- Controleer de veiligheidsvoorzieningen regelmatig op een juiste werking. Als de veiligheidsvoorzieningen defect zijn, neemt u contact op met uw Husqvarna-erkende servicewerkplaats.
- Voer geen veranderingen aan de veiligheidsvoorzieningen uit.
- U mag het product niet gebruiken als beschermingsplaten, afschermingen, veiligheidsschakelaars of andere veiligheidsvoorzieningen defect zijn of ontbreken.

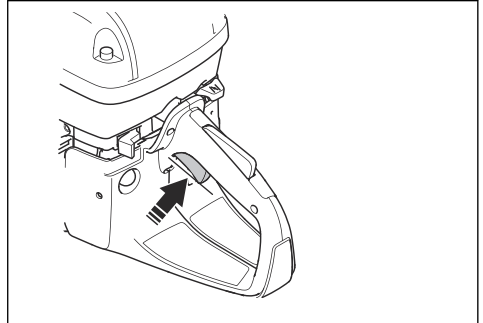
Gashandelvergrendeling

De vergrendeling van de gashandel voorkomt dat de gashandel per ongeluk wordt bediend. Als u de handgreep vastpakt en de gashandelvergrendeling (A) indrukt, wordt de gashandel (B) ontgrendeld. Als u de handgreep loslaat, keren de gashandel en de vergrendeling van de gashandel terug naar hun beginposities. Deze functie vergrendelt de gashandel bij stationair toerental.

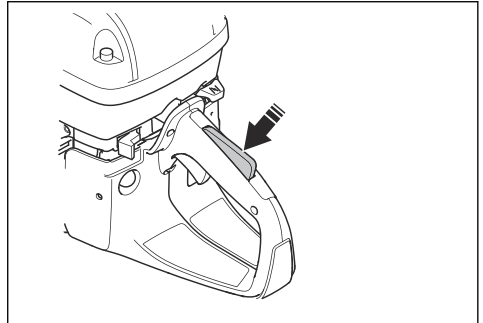


Gashandelvergrendeling controleren

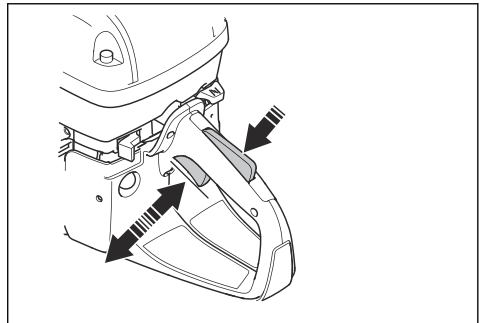
1. Controleer of de gashandel vergrendeld is in de stationaire stand wanneer de gashandelvergrendeling wordt losgelaten.



2. Druk de gashandelvergrendeling in en controleer of deze teruggaat naar de oorspronkelijke stand wanneer u hem loslaat.



3. Controleer of de gashandel en de gashandelvergrendeling vrij bewegen en of de retourveren correct werken.

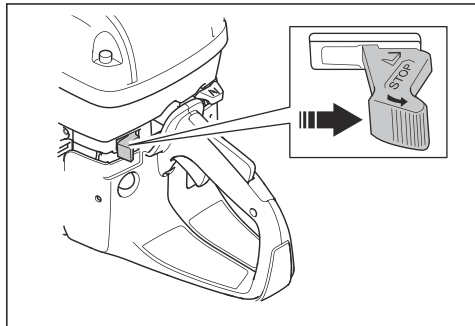


4. Start het product en laat het op vol vermogen werken.
5. Laat de gashandel los en controleer of het zaagblad stopt en blijft stilstaan.

6. Als het zaagblad in stationaire stand draait, moet u het stationaire toerental afstellen. Zie *Stationair toerental afstellen op pagina 138*.

Stopschakelaar controleren

1. Start de motor. Zie *Het product starten met een koude motor op pagina 130*.
2. Duw de stopschakelaar naar de STOP-stand. De motor moet uitschakelen.

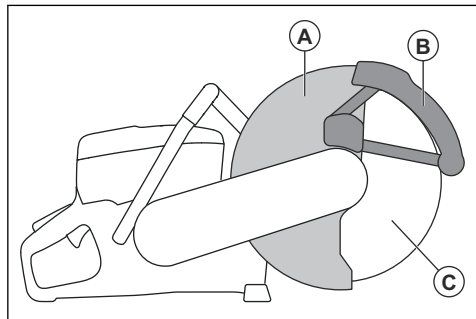


Bladbeschermkap en SmartGuard (optioneel)



WAARSCHUWING: Zorg ervoor dat de bladbeschermkap en SmartGuard correct zijn bevestigd voordat u het product inschakelt. Gebruik het product niet als de bladbeschermkap of SmartGuard ontbreekt, defect is of barsten heeft.

De bladbeschermkap (A) en SmartGuard (B) zijn boven het zaagblad (C) aangebracht. Ze voorkomen letsel als delen van het blad of gesneden materiaal in de richting van de gebruiker worden geworpen.



De SmartGuard is verbelast en moet altijd vrij kunnen bewegen en door veerkracht in de uitgangspositie worden teruggetrokken.

Het blad en de bladbeschermkap controleren



WAARSCHUWING: Een beschadigd zaagblad kan letsel veroorzaken.

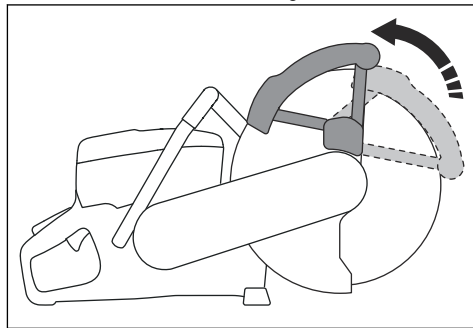
1. Controleer of het zaagblad correct is gemonteerd en geen gebreken vertoont.
2. Controleer of de bladbeschermkap scheuren heeft of beschadigd is.
3. Vervang de bladbeschermkap als deze beschadigd is.

De SmartGuard controleren



WAARSCHUWING: Een beschadigde SmartGuard kan letsel veroorzaken.

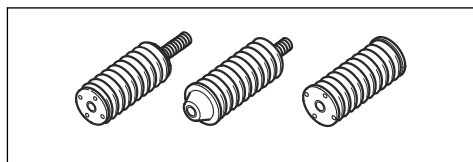
1. Controleer of de SmartGuard geen scheuren heeft en niet beschadigd is.
2. Zorg ervoor dat de SmartGuard vrij kan bewegen en door veerkracht kan worden ingetrokken.



3. Reinig of vervang de SmartGuard als deze niet onmiddellijk wordt ingetrokken wanneer deze wordt ingedrukt of beschadigd is.

Trillingdempingssysteem

Uw product is uitgerust met een trillingdempingssysteem dat is ontworpen om trillingen te minimaliseren en de bediening te vergemakkelijken. Het trillingdempingssysteem van het product reduceert het overbrengen van trillingen van de motoreenheid/snijuitrusting op de handgriep van het product.



Trillingsdempingssysteem controleren



WAARSCHUWING: Zorg ervoor dat de motor uitgeschakeld is en dat de stopschakelaar in de STOP-stand staat.

1. Controleer de trillingdempers op scheuren of vervorming. Vervang de trillingsdempers als deze beschadigd zijn.
2. Controleer of de trillingdempers op de juiste wijze zijn bevestigd op de motor en de handgreep.

Geluiddemper

De uitlaatdemper is bedoeld om het geluidsniveau zo laag mogelijk te houden en om de uitlaatgassen weg te voeren van de gebruiker.

Gebruik het product niet als de demper ontbreekt of beschadigd is. Bij een defecte uitlaatdemper stijgt het geluidsniveau en neemt het risico op brand toe.



WAARSCHUWING: De uitlaatdemper wordt erg heet tijdens en na gebruik en wanneer de motor draait bij stationair toerental. Wees voorzichtig in de buurt van brandbare materialen en/of dampen om brand te voorkomen.

Geluiddemper controleren

- Inspecteer de uitlaatdemper regelmatig om te verifiëren of die goed vastzit en niet beschadigd is.

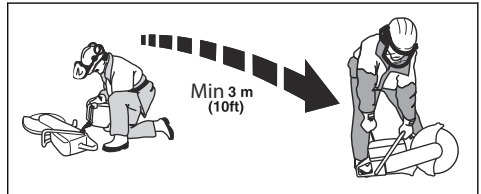
Brandstofveiligheid



WAARSCHUWING: Lees de volgende waarschuwingen voordat u het product gaat gebruiken.

- Brandstof is brandbaar en de dampen zijn explosief. Wees voorzichtig met brandstof om letsel, brand en explosies te voorkomen.
- Vul het product alleen buiten bij waar voldoende luchtstroom is. Adem geen brandstofdampen in. De brandstofdampen zijn giftig en kunnen letsel, brand en explosie veroorzaken.
- Verwijder de brandstofftankdop niet en vul de tank niet bij wanneer de motor draait.
- Laat de motor afkoelen voordat u brandstof bijvult.
- Rook niet in de buurt van de brandstof of de motor.
- Plaats geen warme voorwerpen in de buurt van de brandstof of de motor.
- Vul geen brandstof bij in de nabijheid van vonken of open vuur.
- Draai de tankdop langzaam open en laat de druk voorzichtig ontsnappen voordat u brandstof bijvult.
- Brandstof op uw huid kan letsel veroorzaken. Als er brandstof op uw huid terecht komt, verwijder deze dan met water en zeep.

- Als u brandstof op uw kleding morst, trek dan direct andere kleding aan.
- Draai de tankdop volledig aan. Als de tankdop niet goed is vastgedraaid, kan de dop losdraaien door de trillingen in het product en lekkage van brandstof en brandstofdampen veroorzaken. Brandstof en brandstofdampen vormen een brandgevaar.
- Voordat u het product start, moet u het product verplaatsen naar een afstand van minimaal 3 m vanaf het punt waar u hebt getankt.



- Start het product niet als er brandstof of olie op het product aanwezig is. Verwijder de ongewenste brandstof en olie en laat het product drogen voordat u de motor start.
- Controleer de motor regelmatig op lekkage. Bij lekkage in het brandstofsysteem mag u de motor niet starten zolang de lekken niet gerepareerd zijn.
- Bewaar brandstof in goedgekeurde containers.
- Wanneer het product en de brandstof worden opgeslagen, moet u ervoor zorgen dat brandstof en brandstofdampen geen schade, brand en explosie kunnen veroorzaken.
- Tap brandstof af in een daarvoor goedgekeurde container, en doe dat buiten en niet in de nabijheid van vonken en open vuur.

Veiligheidsinstructies voor onderhoud



WAARSCHUWING: Lees de volgende waarschuwingen voordat u het product gaat gebruiken.

- Zorg ervoor dat de motor uitgeschakeld is en dat de stopschakelaar in de STOP-stand staat.
- Maak altijd gebruik van persoonlijke beschermingsmiddelen. Zie *Persoonlijke beschermingsuitrusting op pagina 115*.
- Als het onderhoud niet correct en regelmatig wordt uitgevoerd, neemt de kans op letsel of schade aan het product toe.
- Voer alleen onderhoud uit zoals beschreven in deze bedieningshandleiding. Laat een goedgekeurde servicewerkplaats alle andere onderhoudswerkzaamheden uitvoeren.
- Laat een erkende Husqvarna servicewerkplaats regelmatig onderhoud aan het product uitvoeren.
- Vervang beschadigde, versleten of defecte onderdelen.
- Gebruik altijd originele accessoires.

Montage

Zaagbladen



WAARSCHUWING: Draag altijd veiligheidshandschoenen wanneer u het product in elkaar zet.



WAARSCHUWING: Een zaagblad kan kapot gaan en ernstig letsel bij de gebruiker veroorzaken.



WAARSCHUWING: Controleer het zaagblad vóór gebruik op scheuren, vervorming of onbalans van verloren segmenten en onmiddellijk nadat het tegen een onbedoeld voorwerp is geraakt. Gebruik nooit een beschadigd zaagblad. Als u het zaagblad hebt gecontroleerd en ingezet, laat u het gereedschap een minuut lang met het maximale toerental lopen. Daarbij dient u en dienen andere personen uit de buurt van het ronddraaiende zaagblad te blijven.



WAARSCHUWING: De fabrikant van het zaagblad verstrekt waarschuwingen en aanbevelingen voor gebruik en correct onderhoud van het zaagblad. Deze waarschuwingen worden meegeleverd met het zaagblad. Lees en volg de bij het zaagblad meegeleverde instructies.

Geschikte zaagbladen



WAARSCHUWING: Gebruik alleen diamantzaagbladen en droogzaagbladen voor beton en metaal. Gebruik nooit getande bladen zoals bladen bedoeld voor het zagen van hout of hardmetalen bladen. Dit vergroot de kans op terugslag en het afbreken van tanden bij hoge toerentallen. Dit kan leiden tot letsel of de dood.



WAARSCHUWING: Gebruik een zaagblad nooit voor ander materiaal dan waarvoor hij is bedoeld.

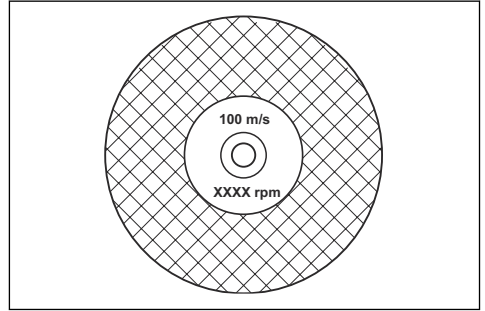


WAARSCHUWING: Gebruik alleen zaagbladen die in overeenstemming zijn met de nationale of regionale normen, bijvoorbeeld EN12413, EN13236 of ANSI B7.1.



WAARSCHUWING: Gebruik geen zaagblad met een nominale toerentalwaarde lager dan die van het product. De nominale

toerentalwaarde van het zaagblad is aangegeven op het zaagblad en die van het product is aangegeven op de bladbeschermerkap.

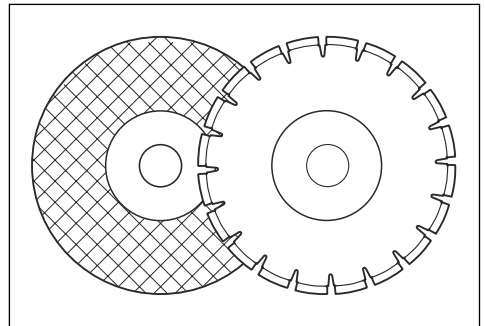


Let op: Veel zaagbladen die aan dit product kunnen worden gekoppeld, worden gemaakt voor stationaire zagen. De nominale toerentalwaarde van deze zaagbladen is te laag voor dit product.



OPGELET: Gebruik geen zaagbladen die dikker zijn dan de maximale aanbevolen dikte. Zie *Technische gegevens op pagina 141*.

- Zaagbladen voor dit product zijn verkrijgbaar in twee basismodellen: droogzaagbladen en diamantbladen.



- Zorg ervoor dat het middengat van het zaagblad de juiste afmeting heeft voor de geïnstalleerde spilbus.

Trilling zaagblad



OPGELET: Als u het product met te veel kracht gebruikt, kan het zaagblad oververhit raken, buigen en trillingen veroorzaken. Gebruik het product met minder kracht.

Vervang het zaagblad wanneer de trillingen aanhouden.

- Hang het zaagblad aan uw vinger en tik licht met een schroevendraaier op het blad. Als u geen duidelijk geluid hoort, is het blad beschadigd.

Droogzaagbladen



WAARSCHUWING: Gebruik droogzaagbladen niet in combinatie met water. Vocht verlaagt de sterkte in het droogzaagblad, waardoor het zaagblad kan breken en letsel kan veroorzaken.

Een droogzaagblad is gemaakt van kleine schuurkorrels die zijn verbonden met een organische of keramische binding en gegoten met weefselversterkingen, die voorkomen dat het zaagblad breekt tijdens bedrijf met hoge toerentallen.

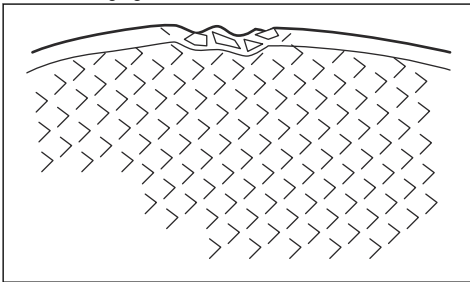
Droogzaagbladen voor verschillende materialen

Let op: Zorg ervoor dat u de juiste zaagbladen voor het zagen van rails.

Type blad	Materiaal
Betonblad	Beton, asfalt, metselwerk, gietijzer, aluminium, koper, messing, leidingen, rubber en plastic.
Metalen blad	Staal, staallegering en ander hard metaal.
Zaagblad voor zagen van rails	Rail

Het droogzaagblad controleren

- Controleer of het zaagblad geen scheuren of beschadigingen vertoont.



Diamantzagen

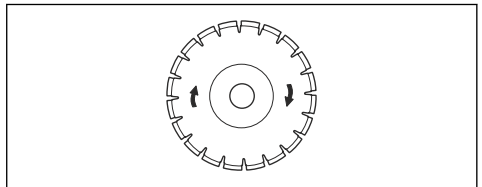


WAARSCHUWING: Diamantzaagbladen worden zeer heet tijdens het gebruik. Een te heet diamantzaagblad levert slechte prestaties, veroorzaakt schade aan het blad en is een veiligheidsrisico.



WAARSCHUWING: Gebruik diamantzaagbladen nooit voor het zagen van kunststoffen. Het hete diamantzaagblad kan het plastic doen smelten, wat terugslag kan veroorzaken.

- Diamantzaagbladen hebben een stalen kern, met segmenten die zijn gemaakt van industriële diamanten.
- Diamantzaagbladen worden gebruikt bij metselwerk, gewapend beton en steen.
- Zorg ervoor dat het diamantzaagblad draait in de richting van de pijlen op het diamantzaagblad.



- Gebruik altijd een scherpe diamantzaag.
- Diamantzaagbladen kunnen bot worden als u een onjuiste invoerdruk gebruikt of wanneer u materialen zoals hard gewapend beton zaagt. Als u een bot diamantzaagblad gebruikt, zal dit te heet worden, waardoor de diamantsegmenten losraken.

Het zaagblad slijpen

Let op: Gebruik een scherp zaagblad voor de beste resultaten.

- Zaag om het blad te slijpen in een zacht materiaal, zoals zandsteen of baksteen.

Diamantzaagbladen voor natzagen

- Diamantzaagbladen voor natzagen moeten worden gebruikt in combinatie met water.
- Water verlaagt de temperatuur van het zaagblad, verlengt de levensduur en vermindert stof tijdens bedrijf.
- Zorg bij natzagen dat het restwater veilig wordt opgevangen.

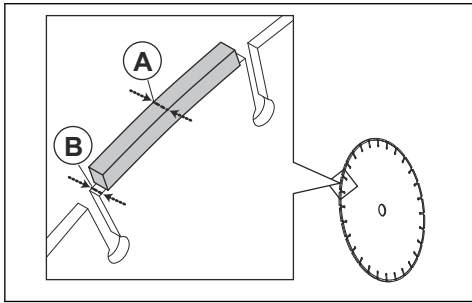
Diamantzaagbladen voor droogzagen

- Voor diamantzaagbladen voor droogzagen is het noodzakelijk om een voldoende luchtstroom rond het zaagblad te hebben om de temperatuur te verlagen. Daarom worden diamantzaagbladen voor droogzagen alleen aanbevolen voor intermitterend bedrijf. Na enkele seconden bedrijf moet het diamantzaagblad vrij draaien, weg van de zaagsnede. Hierdoor kan de luchtstroom rond het blad de temperatuur van het diamantzaagblad verlagen.

Diamantzaagblad - Zijdelingse speling



WAARSCHUWING: Bepaalde zaagsituaties of bladen van slechte kwaliteit kunnen leiden tot overmatige slijtage aan de zijkant van de segmenten. Zorg dat het diamantsegment (A) breder is dan het blad (B). Dit om vastslaan in de zaagsnede en terugslag te voorkomen. Zie *Terugslag op pagina 124*.



OPGELET: Bepaalde zaagsituaties en bladen van slechte kwaliteit kunnen leiden tot overmatige slijtage aan de zijkant van de segmenten. Vervang het zaagblad voordat het is versleten.

Getande bladen

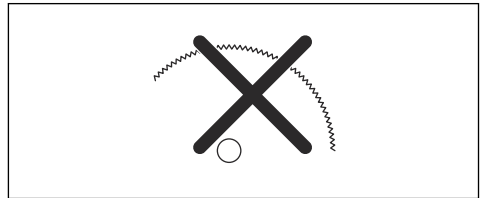


WAARSCHUWING: Gebruik nooit getande bladen of schijven bedoeld voor het zagen van hout, cirkelvormige getande bladen, hardmetalen bladen, etc. Dit vergroot de

kans op terugslag en het afbreken van tanden bij hoge toerentallen. Achteloosheid kan resulteren in ernstig of zelfs dodelijk persoonlijk letsel.



WAARSCHUWING: Overheidsvoorschriften vereisen een ander type beschermkap voor hardmetalen zaagbladen dan het type waarmee doorslijpmachines zijn uitgerust – een zogenaamde 360-gradenbeschermkap. Doorslijpmachines (waaronder deze zaag) maken gebruik van diamantzaagbladen en hebben een ander beschermingssysteem, dat geen bescherming biedt tegen de gevaren die gerelateerd zijn aan het gebruik van houtzaagbladen.



Het gebruik van deze doorslijpmachine met een zaagblad met hardmetaal opgelegde tanden is onveilig en in strijd met de arboregels.

Vanwege het gevaarlijke karakter en de zware omstandigheden van brandbestrijdings- en reddingsoperaties die worden uitgevoerd door de diverse, zeer goed getrainde openbare veiligheidsorganisaties en veiligheidsprofessionals (brandweerkorpsen), is Husqvarna zich ervan bewust dat zij deze doorslijpmachine in bepaalde noodsituaties mogelijk zullen gebruiken in combinatie met hardmetalen bladen, aangezien deze in staat zijn om diverse typen obstakels door te zagen en er niet altijd gelegenheid is om bladen of machines te verwisselen. Houd er bij het gebruik van deze doorslijpmachine rekening mee dat hardmetalen bladen gevoeliger zijn voor terugslag dan diamantzaagbladen, indien ze niet op de juiste wijze worden gebruikt. Bij hardmetalen bladen kunnen ook stukjes materiaal vanaf het blad wegspringen.

Daarom mag een doorslijpmachine met een hardmetalen zaagblad uitsluitend worden gebruikt door zeer goed getrainde openbare-veiligheidsprofessionals die op de hoogte zijn van de risico's die met het gebruik ervan gepaard gaan, en uitsluitend in veeleisende omstandigheden waarin andere gereedschappen inefficiënt en ineffectief worden geacht voor brandbestrijdings- of reddingsoperaties. Een doorslijpmachine die is uitgerust met een hardmetalen blad mag nooit worden gebruikt voor het zagen van hout, tenzij bij reddingsoperaties.

De spilassen en de flensringen inspecteren



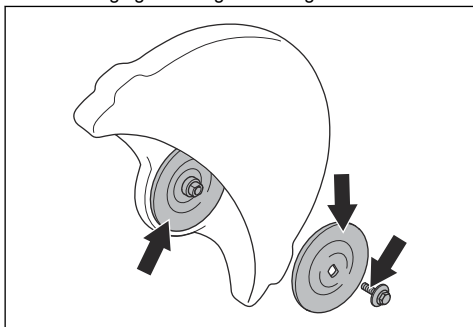
OPGELET: Gebruik alleen Husqvarna flensringen met een minimale diameter van 105 mm/4,1 inch.



WAARSCHUWING: Gebruik geen defecte, versleten of vuile flensringen. Gebruik alleen flensringen van dezelfde afmetingen. Door verkeerde flensringen kan het zaagblad beschadigd raken of losraken.

Controleer de spilassen en de flensringen wanneer u het zaagblad vervangt.

1. Controleer de schroefdraad op de spilassen op beschadiging. Vervang beschadigde onderdelen.



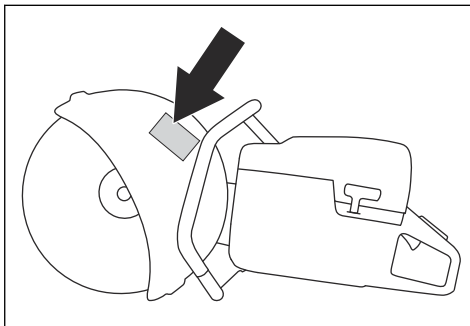
2. Controleer of de contactvlakken op het zaagblad en de flensringen niet beschadigd zijn. Vervang beschadigde onderdelen.
3. Controleer of de flensringen schoon zijn en de juiste afmeting hebben.
4. Controleer of de flensringen vrij bewegen op de spilassen.

De spilbus controleren

De spilbussen worden gebruikt om het product passend te maken voor het middengat van het zaagblad. Het product wordt geleverd met een van de volgende typen spilbussen:

- Een spilbus die naar de andere kant kan worden gedraaid en van toepassing is op middengaten van 20 mm/0,79 inch of 25,4 mm/1 inch.
- Een spilbus van 25,4 mm/1 inch.

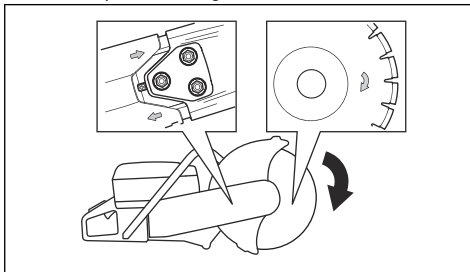
- Een sticker op de bladbeschermkap toont de geïnstalleerde spilbus en de specificatie voor de betreffende zaagbladen.



- Zorg ervoor dat de afmeting van het middengat van het zaagblad overeenkomt met de geïnstalleerde spilbus. De diameter van het middengat is afgedrukt op het zaagblad.
- Gebruik alleen spilbussen van Husqvarna.

De draairichting van het zaagblad controleren

1. Zoek de pijlen op de zaagarm die de draairichting van de spindelassen aangeeft.



2. Zoek de pijl op de bladbeschermkap die de draairichting van het zaagblad aangeeft.
3. Zorg ervoor dat de richtingspijlen van het zaagblad en de spindelassen dezelfde richting hebben.

Het zaagblad monteren



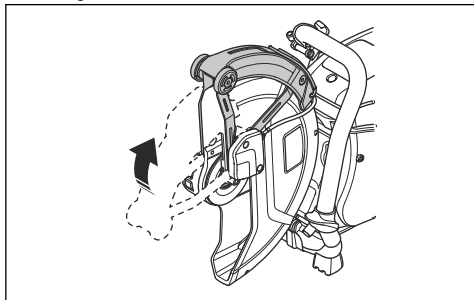
WAARSCHUWING: Controleer of de motor uit is en de stopschakelaar in de STOP-stand staat.



WAARSCHUWING: Draag altijd veiligheidshandschoenen wanneer u het product in elkaar zet.

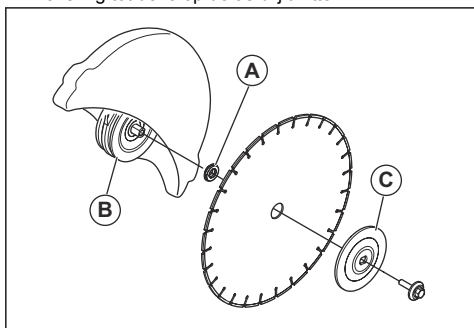
1. Controleer de flensringen en de spindelassen. Zie *De spilassen en de flensringen inspecteren op pagina 122*.

2. Duw de SmartGuard naar achteren en houd hem in de ingetrokken stand.

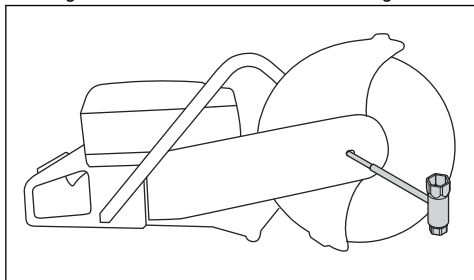


Let op: Deze stap is alleen van toepassing op K 970 SmartGuard.

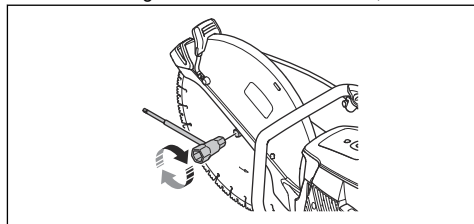
3. Plaats het zaagblad op de spilbus (A) tussen de binnenste flensring (B) en de flensring (C). Draai de flensring tot deze op de as blijft zitten.



4. Steek een stuk gereedschap in het gat in het zaagblad en draai het blad tot de as is vergrendeld.



5. Draai de zaagbladbout vast tot 30 Nm/18,5 ft-lb.



De zaagkop omkeren (K 970 III, K 970 III Rescue)



WAARSCHUWING: Snijd alleen met de zaagkop omgekeerd als een standaardprocedure niet mogelijk is.

Het product heeft een omkeerbare zaagkop waarmee u dicht bij een muur of op grondniveau kunt zagen. Snijd alleen met de zaagkop omgekeerd als een standaardprocedure niet mogelijk is. Als er terugslag optreedt, is het moeilijker om het product onder controle te houden als de zaagkop wordt omgekeerd. De afstand tussen het zaagblad en het midden van het product is langer, wat betekent dat de handgreep en het zaagblad niet op één lijn liggen. Dit heeft een negatief effect op de balans in het product en het is moeilijker om het product vast te houden als het zaagblad in de terugslagrisicozone vastslaat of stilvalt. Zie *Terugslag op pagina 124*.

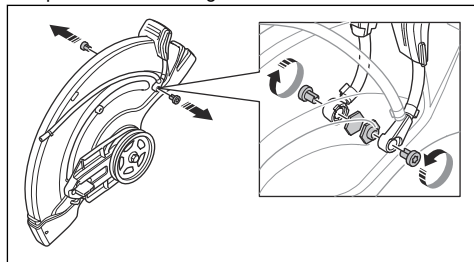


WAARSCHUWING: Controleer of de motor uit is en de stopschakelaar in de STOP-stand staat.

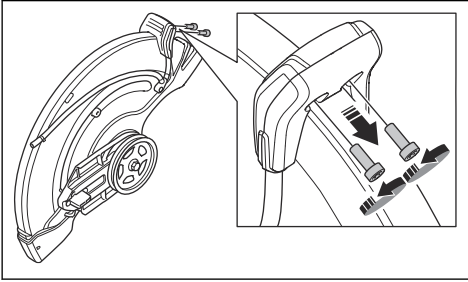


WAARSCHUWING: Draag altijd veiligheidshandschoenen wanneer u het product in elkaar zet.

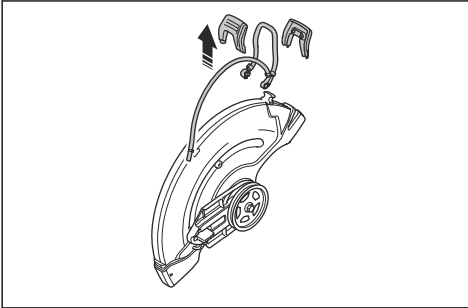
1. Verwijder het zaagblad, de voorste riemkap en de zaagkop. Raadpleeg stap 1-5 in *De aandrijfriem vervangen op pagina 134*.
2. Verwijder de 2 schroeven en moeren waarmee de spuitmond is bevestigd.



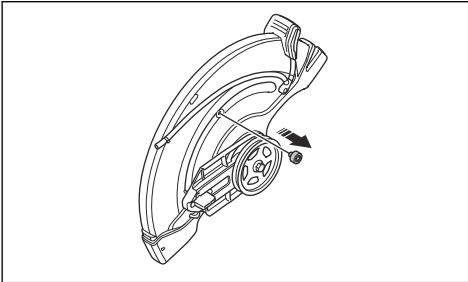
3. Verwijder de 2 schroeven van de afstelhendel voor de bladbeschermkap.



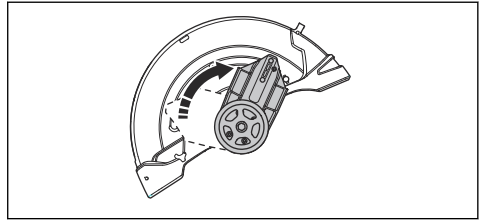
4. Verwijder de afstelhendel voor de bladbeschermkap.



5. Verwijder de stophuls.

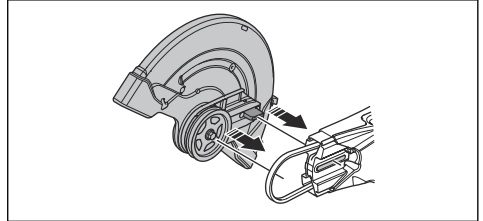


6. Verplaats het lagerhuis en breng de stophuls aan.



7. Breng de stophuls aan.

8. Breng de aandrijfriem aan de andere kant aan.



9. Breng de zaagkop en de aandrijfriemkap aan, zie *De aandrijfriem vervangen op pagina 134*.

10. Breng de spuitmond en het zaagblad aan in de omgekeerde volgorde van het verwijderen.

Werking

Inleiding



WAARSCHUWING: Zorg dat u het hoofdstuk over veiligheid hebt gelezen en begrepen voordat u het product gebruikt.

Terugslag



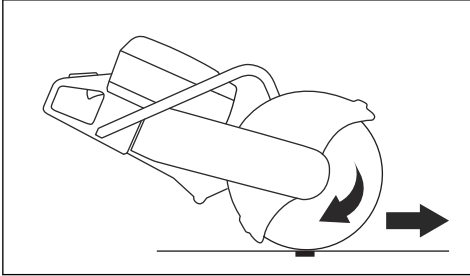
WAARSCHUWING: Een terugslag treedt plotseling op en kan erg hevig zijn. De doorslijpmachine kan omhoog schieten en met een draaiende beweging tegen de gebruiker aan worden geworpen, wat ernstig of zelfs fataal letsel kan veroorzaken. Het is

van essentieel belang dat u, voordat u het product gaat gebruiken, begrijpt waardoor terugslag wordt veroorzaakt en hoe u dit kunt voorkomen.

Terugslag is een plotselinge opwaartse beweging die kan optreden wanneer het zaagblad vastslaat of stilvalt in de terugslagrisicosector. Een terugslag is meestal gering en levert weinig gevaar op. Een terugslag kan echter ook zeer hevig zijn en de doorslijpmachine omhoog laten schieten en met een draaiende beweging terugwerpen naar de gebruiker, wat ernstig of zelfs fataal letsel kan veroorzaken.

Reactieve kracht

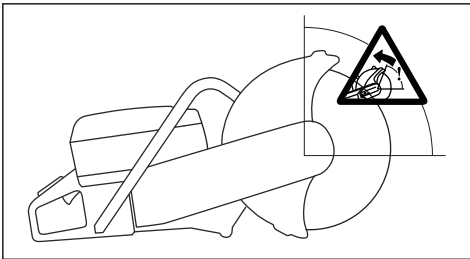
Bij het zagen is er altijd sprake van een reactieve kracht. Deze kracht trekt het product in tegengestelde richting ten opzichte van de bladrotatie. Meestal is deze kracht verwaarloosbaar. Als het zaagblad vastslaat of stilvalt, zal de reactieve kracht echter sterk zijn, waardoor u de macht over de doorslijper kunt verliezen.



Verplaats het product nooit wanneer de snijuitrusting draait. Gyroscopische krachten kunnen de beoogde beweging belemmeren

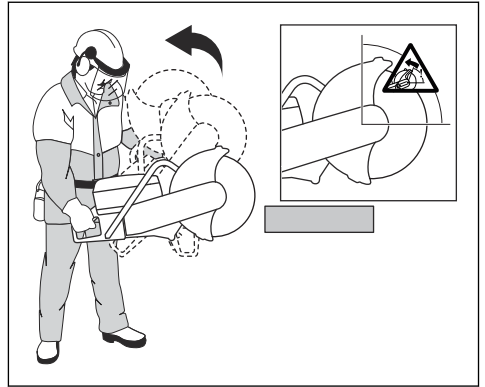
Terugslagrisicozone

Gebruik de terugslagrisicozone van het zaagblad nooit om te zagen. Als het zaagblad vastslaat of stilvalt in de terugslagrisicozone zal de reactieve kracht de doorslijpmachine omhoog duwen en in een draaiende beweging terugwerpen naar de gebruiker, wat ernstig of zelfs fataal letsel kan veroorzaken.



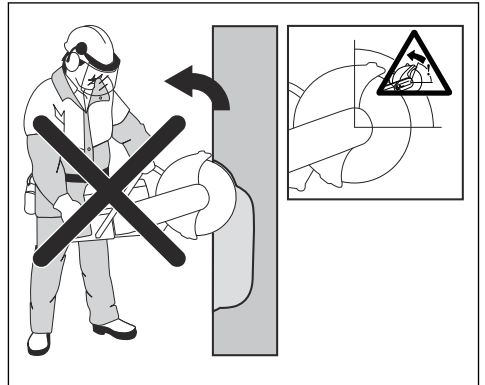
Roterende terugslag

Een roterende terugslag treedt op wanneer het zaagblad niet vrij beweegt in de terugslagrisico-sector.



Terugslag door "klimmen"

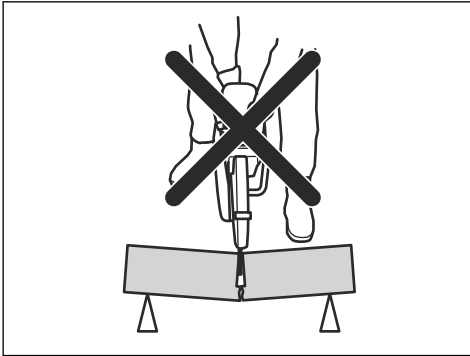
Als de terugslagrisicozone wordt gebruikt om te zagen, zal het zaagblad in de zaagsnede "klimmen" als gevolg van de reactieve kracht. Gebruik de terugslagrisicozone van het zaagblad niet. Gebruik het onderste kwadrant van het zaagblad om terugslag door "klimmen" te voorkomen.



Terugslag door vastslaan

Vastslaan treedt op wanneer de zaagsnede dichtklapt en het zaagblad blokkeert. Als het zaagblad vastslaat of stilvalt, zal de reactieve kracht echter sterk zijn,

waardoor u de macht over de doorslijpmachine kunt verliezen.



Als het zaagblad vastslaat of stilvalt in de terugslagrisicosector zal de reactieve kracht de doorslijpmachine omhoog duwen en in een draaiende beweging terugwerpen naar de gebruiker, wat ernstig of zelfs fataal letsel kan veroorzaken. Wees alert op mogelijke verplaatsing van het werkstuk. Als het werkstuk niet goed wordt ondersteund en verschuift tijdens het zagen, kan het blad vastslaan en een terugslag veroorzaken.

Snijden in leidingen

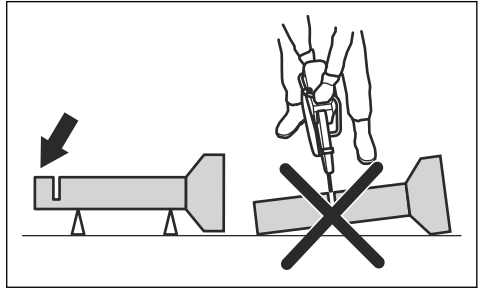


WAARSCHUWING: Als het zaagblad vastslaat in de terugslagrisicozone, zal dat een ernstige terugslag veroorzaken.

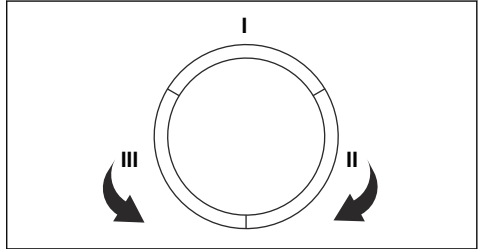
Wees extra voorzichtig bij het snijden van pijpen. Als de leiding niet goed wordt ondersteund en de snede tijdens het zagen open wordt gehouden, kan het zaagblad vastslaan. Wees extra alert bij het snijden van een pijp met klokvormig uiteinde of een pijp die in een sleuf ligt. Als deze onvoldoende wordt ondersteund, kan deze doorbuigen en het blad vastklemmen.

Als de leiding kan wegzakken en de zaagsnede daarmee afsluit, zal het zaagblad in de terugslagrisico-sector vastslaan en mogelijk een ernstige terugslag veroorzaken. Als de leiding goed wordt ondersteund, wordt het uiteinde van de leiding naar beneden verplaatst, is de zaagsnede open en slaat het blad niet vast.

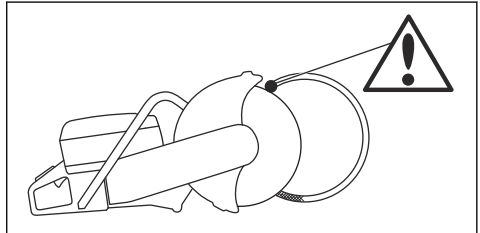
1. Zet de leiding vast, zodat deze niet beweegt of rolt tijdens het snijden.



2. Snijd deel "I" van de leiding.



3. Zorg dat de snede opent om vastslaan te voorkomen.



4. Ga naar zijde II en maak een snede vanaf sectie I tot aan de onderkant van de leiding.
5. Ga naar zijde III en zaag het resterende deel van de leiding af, eindigend aan de onderkant.

Een terugslag voorkomen



WAARSCHUWING: Voorkom situaties waar risico op terugslag bestaat. Wees voorzichtig bij het gebruik van uw doorslijpmachine en zorg ervoor dat het mes nooit vastslaat in de terugslagrisico-sector.



WAARSCHUWING: Wees voorzichtig als u het blad in een bestaande snede plaatst.

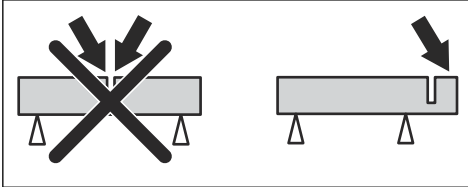


WAARSCHUWING: Zorg dat het werkstuk niet kan bewegen tijdens het zagen.



WAARSCHUWING: Alleen uzelf en een juiste werktechniek kunnen terugslag en de bijbehorende risico's elimineren.

- Ondersteun het werkstuk altijd, zodat de snede open blijft tijdens het zagen. Wanneer de zaagsnede open is, treedt er geen terugslag op. Wanneer de zaagsnede gesloten raakt en het zaagblad vastslaat, bestaat er een terugslagrisico.



Basistechniek



WAARSCHUWING: Trek de doorslijpmachine niet naar één kant. Dit kan de vrije beweging van het zaagblad belemmeren. Het zaagblad kan breken, wat kan leiden tot verwondingen voor de gebruiker of omstanders.



WAARSCHUWING: Slijp NIET met de zijkant van het zaagblad. Het zaagblad kan breken, wat kan leiden tot verwondingen voor de gebruiker of omstanders. Gebruik alleen de zaagkant.



WAARSCHUWING: Controleer of het zaagblad correct is gemonteerd en geen gebreken vertoont.



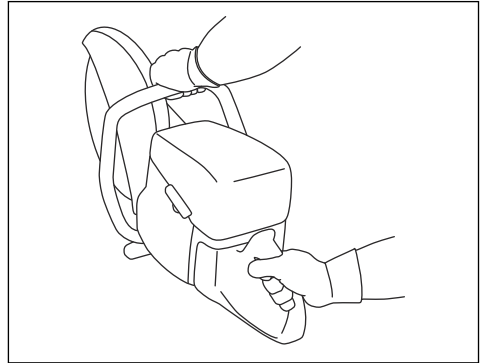
WAARSCHUWING: Controleer voordat u een bestaande snede bewerkt die met ander blad werd gemaakt of de sleuf niet dunner is dan uw zaagblad. Als de sleuf dunner is, kan gebruik van een dikker blad aanlopen en terugslag veroorzaken.



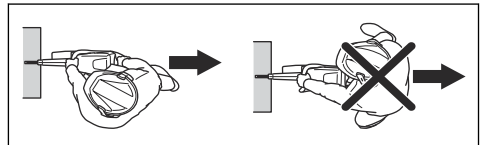
WAARSCHUWING: Bij slijpen in metaal komen vonken vrij die brand kunnen veroorzaken. Gebruik het product niet in de buurt van brandbare materialen of gassen.

- Het product is gemaakt om te zagen met droogzaagbladen of diamantzaagbladen die zijn gemaakt voor handheld producten met hoge toerentallen. Het product mag niet worden gebruikt met enig ander type zaagblad of voor enig ander soort zaagwerk.
- Controleer of het juiste zaagblad wordt gebruikt voor het te zagen materiaal. Zie *Geschikte zaagbladen op pagina 119* voor instructies.

- Zaag nooit asbestmaterialen.
- Houd afstand tot het zaagblad wanneer de motor draait. Probeer een draaiend zaagblad niet te stoppen met een van uw lichaamsdelen. Het aanraken van een draaiend zaagblad kan, hoewel de motor is uitgeschakeld, leiden tot ernstig of dodelijk letsel.
- Het zaagblad blijft nog enige tijd draaien nadat de motor is uitgeschakeld. Zorg ervoor dat het zaagblad is gestopt voordat u het product verplaatst of neerzet. Als het nodig is om het zaagblad snel te stoppen, laat het zaagblad dan licht een hard oppervlak aanraken.
- Verplaatst het product niet met draaiende motor.
- Houd het apparaat met beide handen vast. Houd het product stevig vast met duimen en vingers volledig rond de kunststof handgreep met isolatie. Houd uw rechterhand op de achterhandgreep en uw linkerhand op de voorhandgreep. Alle gebruikers moeten deze blokkering gebruiken. Bedien een doorslijpmachine niet met slechts 1 hand.

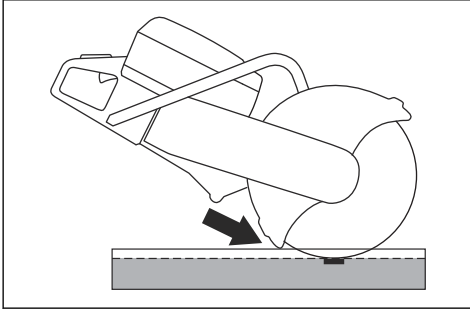


- Ga parallel aan het zaagblad staan. Ga er niet direct achter staan. In het geval van terugslag zal het product in het horizontale vlak van het zaagblad bewegen.

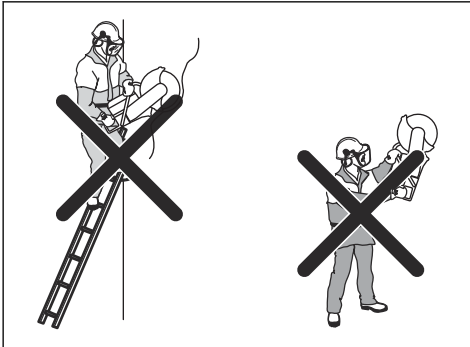


- Blijf in de buurt van het product wanneer de motor is ingeschakeld. Voordat u het product achterlaat, moet u de motor stoppen en controleren of er geen risico bestaat dat de motor per ongeluk wordt gestart.
- Gebruik de afstelhendel van de bladbeschermkap om het achterste gedeelte van de beschermkap gelijk te zetten met het werkstuk. Spatten en vonken van het materiaal dat wordt gezaagd worden door de beschermkap opgevangen en weg van de gebruiker geleid. De beschermkappen voor de zaaguitrusting

moeten altijd zijn aangebracht wanneer u met het product werkt.

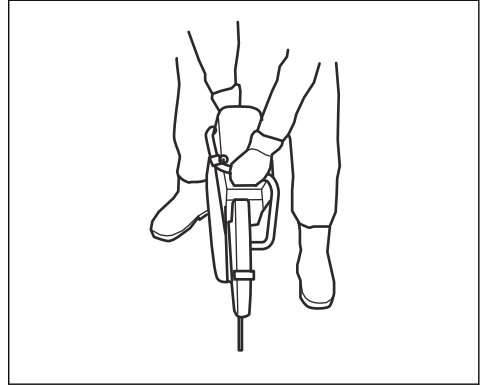


- Gebruik de terugslagrisicozone van het zaagblad nooit om te zagen. Zie *Terugslagrisicozone op pagina 125* voor instructies.
- Gebruik het product pas als het werkgebied vrij is en uw voeten en lichaam zich in een stabiele positie bevinden.
- Zaag nooit boven schouderhoogte.
- Bedien het product niet op een ladder. Gebruik een platform of een steiger als u boven schouderhoogte moet werken. Voorkom overstrekken.

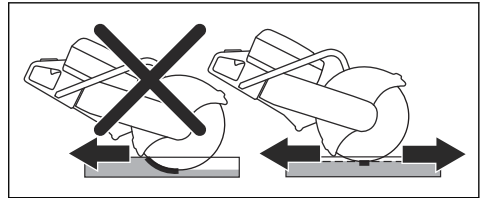


- Houd voldoende afstand tot het werkstuk.
- Zorg dat het zaagblad vrij is wanneer de motor wordt gestart.
- Oefen weinig kracht uit op het blad maar laat het product wel op vol vermogen draaien (maximumtoerental) draaien. Houd het maximumtoerental aan tot de snede voltooid is.
- Laat het product het werk doen. Duw het zaagblad niet omlaag.

- Breng het product in lijn met het zaagblad naar beneden. Zijwaartse druk kan het zaagblad beschadigen en is zeer gevaarlijk.



- Voer het zaagblad langzaam heen en weer om een klein contactoppervlak te krijgen tussen het zaagblad en het materiaal dat moet worden doorgezaagd. Zo houdt u de temperatuur van het zaagblad laag en kunt u efficiënt zagen.



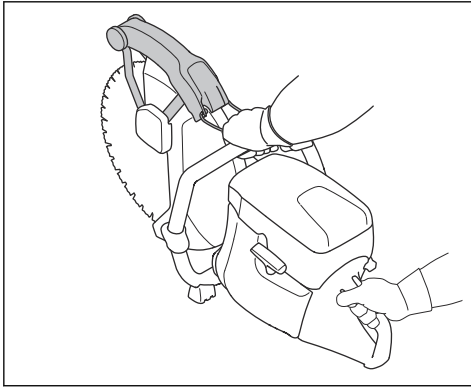
Basistechnieken met de K 970 SmartGuard



WAARSCHUWING: De SmartGuard-functie wordt uitgeschakeld als de SmartGuard handmatig wordt ingetrokken. Trek de SmartGuard alleen handmatig in als dit nodig is en er geen risico op terugslag bestaat.

De SmartGuard biedt meer dekking van het blad. Dit verkleint de kans dat u het blad raakt bij terugslag.

- U kunt de SmartGuard handmatig intrekken met de SmartGuard-hendel.
- Houd de SmartGuard-hendel met een linkervinger vast terwijl de overige vingers tegelijkertijd de voorste hendel vasthouden.



Stof verminderen tijdens bedrijf

Het product is voorzien van een set voor nat zagen om schadelijk stof in de lucht tijdens het gebruik te verminderen. De set voor nat zagen heeft een laag waterverbruik.

- Gebruik indien mogelijk natte zaagbladen met waterkoeling. Zie *Zaagbladen op pagina 119*.
- Stel de waterstroom af met de klep. De correcte stroom varieert voor verschillende soorten taken.
- Zorg voor de juiste waterdruk. Zie *Technische gegevens op pagina 141*. Als de waterslang losraakt bij de toevoerbron, kan de geleverde waterdruk te hoog zijn.

Brandstof

Dit product is uitgerust met een tweetaktmotor.



OPGELET: Een verkeerde soort brandstof kan leiden tot motorschade. Gebruik een mengsel van benzine en tweetaktolie.

Tweetaktolie

- Gebruik voor de beste resultaten en optimale prestaties Husqvarna tweetaktolie.
- Als geen Husqvarna tweetaktolie beschikbaar is, gebruik dan een andere hoogwaardige tweetaktolie voor luchtgekoelde motoren. Bespreek de keuze van de tweetaktolie met uw servicedealer.



OPGELET: Gebruik geen tweetaktolie die bedoeld is voor watergekoelde buitenboordmotoren, zogenaamde outboardoil. Gebruik geen olie die is bedoeld voor viertaktmotoren.

Voorgemengde brandstof

- Gebruik voorgemengde Husqvarna-alkylaatbrandstof voor optimale prestaties en een lange levensduur van de motor. Deze brandstof bevat minder schadelijke stoffen dan reguliere brandstof waardoor

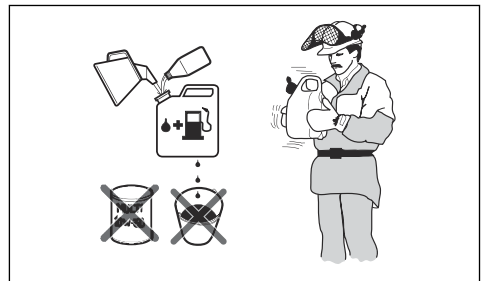
de uitstoot van schadelijke uitlaatgassen wordt beperkt. Bij gebruik van deze brandstof blijven er minder verbrandingsresten in de motor achter waardoor de onderdelen van de motor schoner blijven.

Benzine en tweetaktolie mengen

Benzine, liter	Tweetaktolie, liter
	2% (50:1)
5	0,10
10	0,20
15	0,30
20	0,40
Us gallon	US fl. oz.
1	2 ½
2 1/2	6 ½
5	12 ¾



OPGELET: Wanneer u kleine hoeveelheden brandstof mengt, kunnen kleine fouten grote gevolgen hebben voor de mengverhouding. Meet de hoeveelheid olie nauwkeurig af om het juiste mengsel te verkrijgen.



1. Giet de helft van de benzine in een schone brandstofbestendige houder.
2. Voeg de volledige hoeveelheid olie toe.
3. Schud het brandstofmengsel.
4. Giet de resterende hoeveelheid benzine in de houder.
5. Schud het brandstofmengsel grondig.



OPGELET: Meng maximaal de hoeveelheid brandstof die u nodig hebt voor 1 maand.

Brandstof bijvullen



OPGELET: Gebruik geen benzine met een octaangetal lager dan 90 RON (87 AKI). Dit kan schade aan het product veroorzaken.

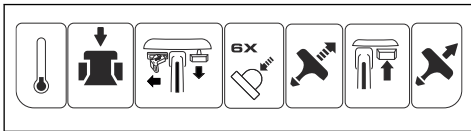


OPGELET: Gebruik geen benzine met een ethanolgehalte van meer dan 10% (E10). Dit kan schade aan het product veroorzaken.

Let op: In bepaalde omstandigheden is het nodig om de afstelling van de carburateur aan te passen wanneer u het type brandstof wijzigt.

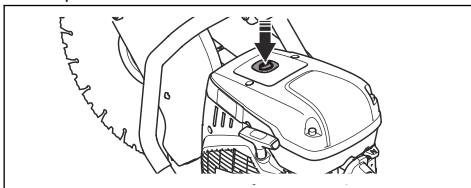
- Gebruik benzine met een hoger octaangetal als u het product regelmatig gebruikt met een hoog motortoerental.
1. Draai de brandstoftankdop langzaam los om de druk te laten ontsnappen.
 2. Vul langzaam met een benzinejerrycan. Als u brandstof morst, verwijder deze dan met een doek en laat de achtergebleven brandstof opdrogen.
 3. Maak het gebied rondom de brandstoftankdop goed schoon.
 4. Draai de tankdop volledig aan. Als de tankdop niet volledig is aangedraaid, bestaat een risico op brand.
 5. Verplaats het product minstens 3 m (10 ft) van de plaats waar u de brandstoftank hebt gevuld, voordat u het product start.

Het product starten met een koude motor

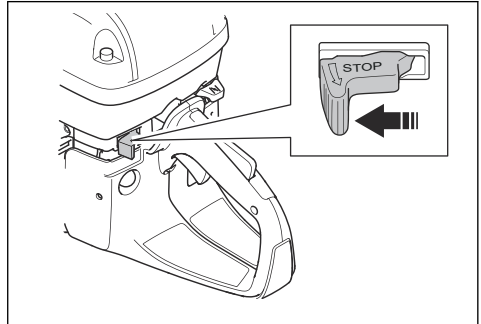


WAARSCHUWING: Zorg ervoor dat het zaagblad vrij kan draaien. Het begint te draaien wanneer de motor start.

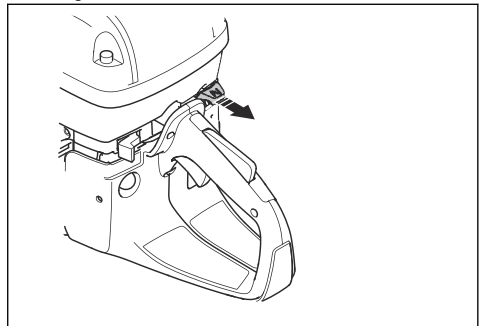
1. Druk op de decompressieklep om de druk in de cilinder te verlagen. De decompressieklep gaat automatisch terug naar de uitgangpositie wanneer het product start.



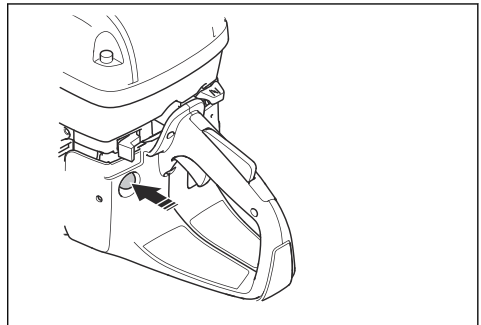
2. Controleer of de STOP-schakelaar in de linker stand staat.



3. Trek de chokehendel volledig uit en ga naar de startgasstand.



4. Druk de balg van de brandstofpomp 6 keer in tot deze volledig is gevuld met brandstof.

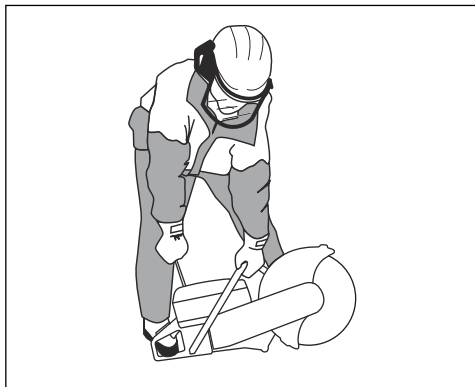


5. Houd de voorhandgreep vast met uw linkerhand.
6. Plaats uw rechthoet op het onderste deel van de achterhandgreep en druk het product tegen de grond.



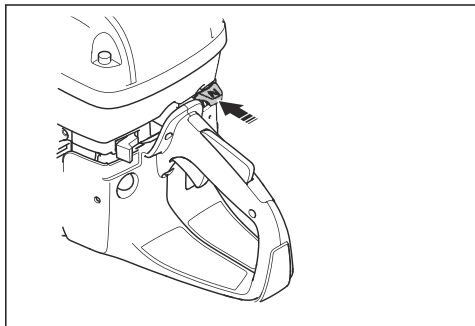
WAARSCHUWING: Wikkel het startkoord niet rond uw hand.

- Trek langzaam aan het startkoord met uw rechterhand, tot u een weerstand voelt als de starterhaken aangrijpen. Trek vervolgens continu en snel aan.

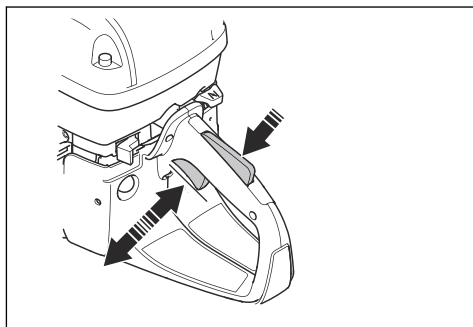


OPGELET: Trek het startkoord niet volledig uit en laat de startkoordhendel niet los wanneer het startkoord volledig uitgetrokken is. Dit kan schade aan het product veroorzaken.

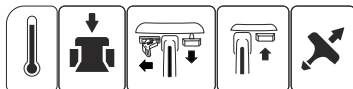
- Druk de chokehendel in zodra de motor start. Als de choke uitgetrokken is, stopt de motor na enkele seconden. Als de motor stopt, trek dan de startkoordhendel weer aan.



- Duw de gashendel in om de startgasklep uit te schakelen en het product in te stellen op stationair toerental.

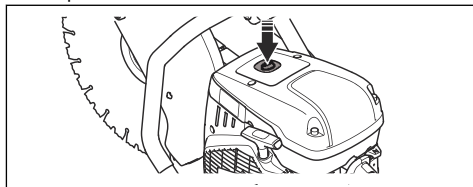


Het product starten met een warme motor

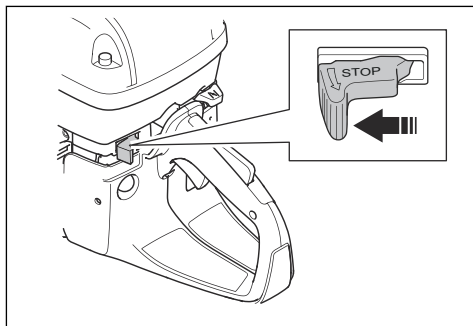


WAARSCHUWING: Zorg ervoor dat het zaagblad vrij kan draaien. Het begint te draaien wanneer de motor start.

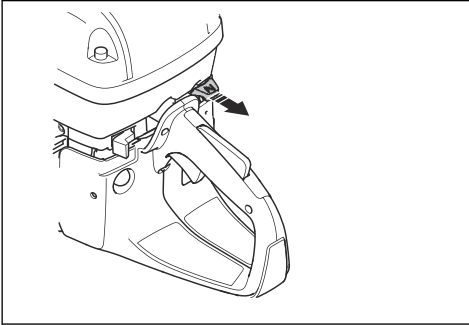
- Druk op de decompressieklep om de druk in de cilinder te verlagen. De decompressieklep gaat automatisch terug naar de uitgangspositie wanneer het product start.



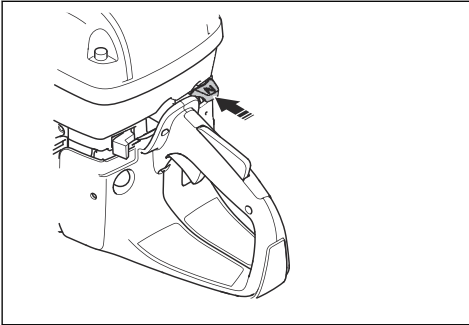
- Controleer of de STOP-schakelaar in de linker stand staat.



3. Trek de chokehendel volledig uit en ga naar de startgasstand.



4. Druk op de chokehendel om de choke uit te schakelen. De startgashendel blijft in positie.

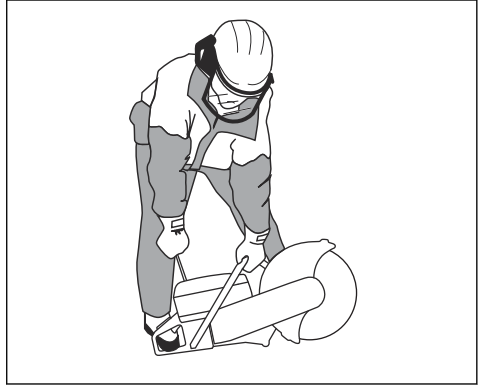


5. Houd de voorhandgreep vast met uw linkerhand.
6. Plaats uw rechervoet op het onderste deel van de achterhandgreep en druk het product tegen de grond.



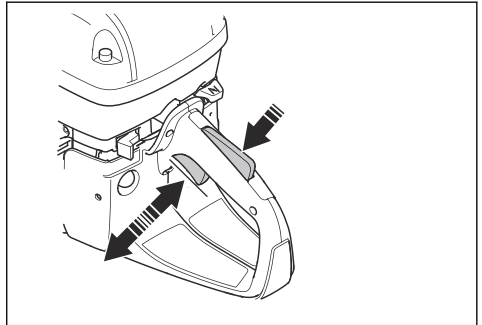
WAARSCHUWING: Wikkel het startkoord niet rond uw hand.

7. Trek langzaam aan het startkoord, tot u een weerstand voelt als de starterhaken aangrijpen. Trek vervolgens continu en snel aan.



OPGELET: Trek het startkoord niet volledig uit en laat de startkoordhendel niet los wanneer het startkoord volledig uitgetrokken is. Dit kan schade aan het product veroorzaken.

8. Duw de gashendel in om de startgasklep uit te schakelen en het product in te stellen op stationair toerental.

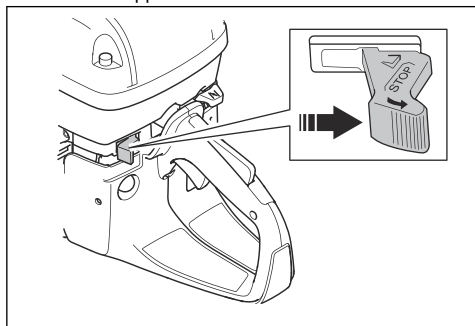


Product stoppen



WAARSCHUWING: Het zaagblad blijft nog enige tijd draaien nadat de motor is uitgeschakeld. Zorg ervoor dat het zaagblad vrij kan draaien totdat het volledig stopt. Als het nodig is om het zaagblad snel te stoppen, laat het zaagblad dan licht een hard oppervlak aanraken. Risico op ernstig letsel.

- Beweeg de STOP-schakelaar naar rechts om de motor te stoppen.



Onderhoud

Inleiding



WAARSCHUWING: Zorg dat u het hoofdstuk over veiligheid hebt gelezen en begrepen voordat u onderhoud aan het product gaat uitvoeren.

Voor alle onderhouds- en reparatiewerkzaamheden aan het product is speciale training nodig. Wij garanderen de beschikbaarheid van professionele reparaties en onderhoud. Indien uw dealer geen servicewerkplaats

heeft, vraag hem dan naar de dichtstbijzijnde servicewerkplaats.

Neem voor reserveonderdelen contact op met uw dealer of servicewerkplaats van Husqvarna.

Onderhoudsschema

In het onderhoudsschema ziet u de benodigde onderhoudswerkzaamheden voor het product. De intervallen worden berekend op basis van het dagelijks gebruik van het product.

	Elke dag	Wekelijks	Maandelijks	Jaarlijks
Reinigen	Reiniging buitenzijde		Bougie	
	Koelluchtinlaat		Brandstoftank	
Functionele inspectie	Algemene inspectie	Trillingdempingssysteem*	Brandstofsysteem	
	Brandstoflekkages	Geluidemper*	Luchtfilter	
	Watertoevoersysteem	Aandrijfriem	Koppeling	
	Gashendelvergrendeling*	Carburateur		
	Stopschakelaar*	Starterhuis		
	Bladbeschermkap en Smart-Guard*			
	Zaagblad**			
Vervangen				Brandstoffilter

* Zie *Veiligheidsvoorzieningen op het product op pagina 116*.

** Zie *Zaagbladen op pagina 119*.

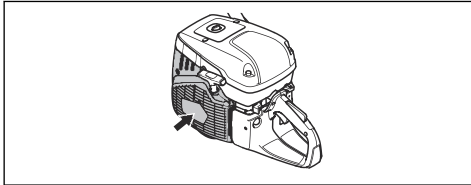
Buitenkant reinigen

- Spoel de buitenkant van het product na elke werkdag met schoon water af. Gebruik indien nodig een borstel.

De luchtinlaat reinigen

Let op: Een vuile of verstopte luchtinlaat zorgt ervoor dat het product te heet wordt. Dit kan schade aan de zuiger en de cilinder veroorzaken.

- Reinig de luchtinlaat indien nodig.



- Verwijder verstopping, vuil en stof met een borstel.

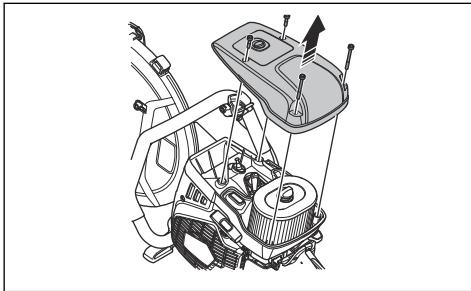
Bougie controleren



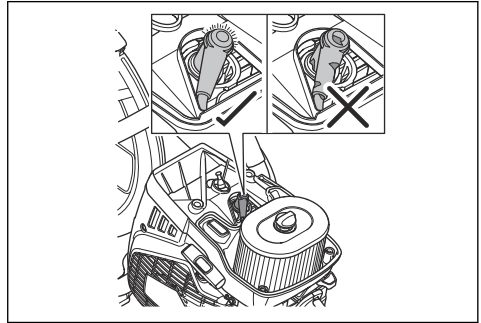
OPGELET: Gebruik altijd het juiste bougietype. Het gebruik van verkeerde bougies kan schade aan de zuiger en de cilinder veroorzaken. Voor de aanbevolen bougie, zie *Technische gegevens op pagina 141*.

Controleer altijd de bougie als het product weinig vermogen heeft, als het niet makkelijk start of als het niet naar tevredenheid draait bij stationair toerental.

1. Maak de vier schroeven los en verwijder het luchtfilterdeksel.

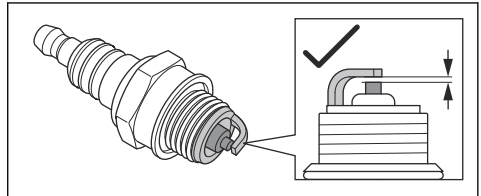


2. Verzeker u ervan dat de bougiekap en ontstekingskabel onbeschadigd zijn.

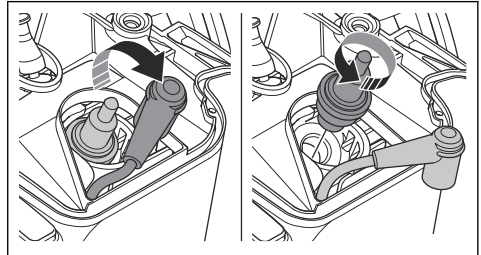


WAARSCHUWING: Een beschadigde bougiekap en ontstekingskabel kunnen een elektrische schok veroorzaken.

3. Reinig de bougie als deze vuil is.
4. Controleer of de afstand tussen de elektroden 0,5 mm is.



5. Vervang indien nodig de bougie.



Algemene inspectie uitvoeren

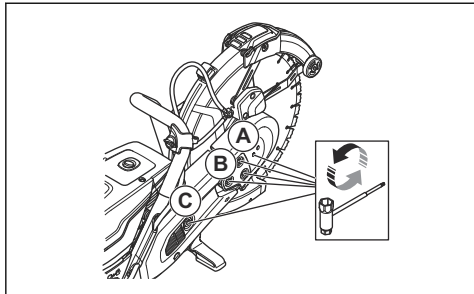
- Controleer of alle moeren en schroeven op het product goed zijn vastgedraaid.

De aandrijfriem vervangen



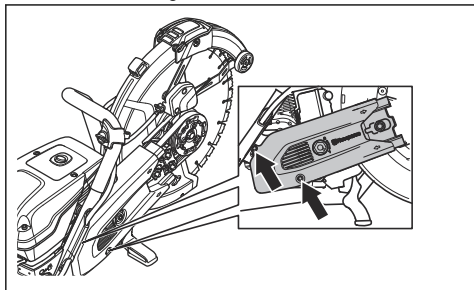
WAARSCHUWING: Start het product niet zonder dat alle afschermingen en kappen zijn gemonteerd.

1. Draai de schroef (A) los.

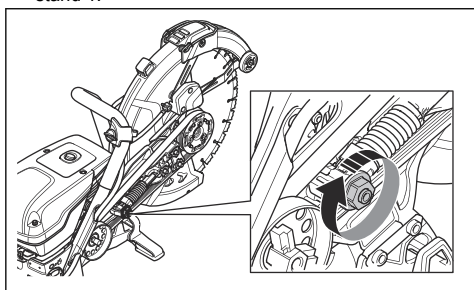


Let op: Deze stap is alleen van toepassing op K 970 III 400mm/16in..

2. Draai de drie moeren op de zaagkop (B) los en draai de riemsparner (C) naar stand 0.
3. Haal de voorste riembescherming weg.
4. Verwijder de twee schroeven op de achterste riembescherming. Verwijder de achterste riembescherming.



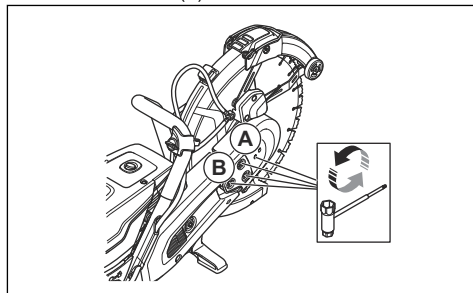
5. Vervang de aandrijfriem. Draai de riemsparner naar stand 1.



6. Monteer de 2 riembeschermingen in omgekeerde volgorde.
7. Stel de spanning van de aandrijfriem af. Zie *De spanning van de aandrijfriem afstellen* op pagina 135.

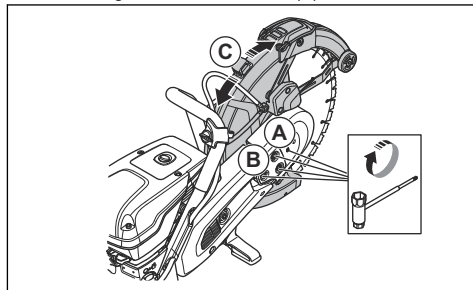
De spanning van de aandrijfriem afstellen

1. Draai de schroef (A) los.



Let op: Deze stap is alleen van toepassing op K 970 III 400mm/16in..

2. Draai de drie moeren (B) los.
3. Beweeg de bladbeschermkap (C) 3-5 keer omhoog en omlaag. Draai de 3 moeren (B) vast.



4. Draai de schroef (A) vast.

Let op: Deze stap is alleen van toepassing op K 970 III 400mm/16in..

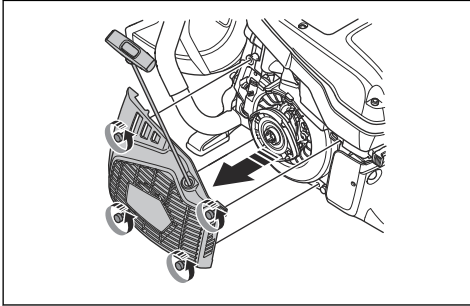
Starterhuis



WAARSCHUWING: Wees altijd voorzichtig en gebruik altijd oogbescherming wanneer u de terugveer van het startkoord vervangt. De terugveer staat onder spanning wanneer deze in het starterhuis is gewikkeld. De terugveer kan eruit schieten en letsel veroorzaken.

Het starterhuis verwijderen

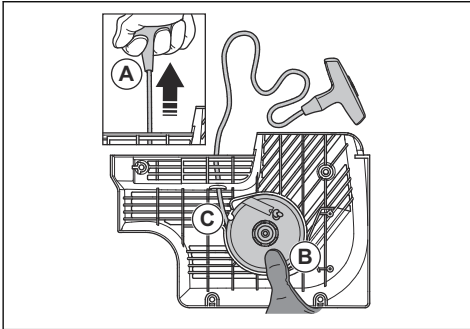
1. Draai de vier schroeven van het starterhuis los.



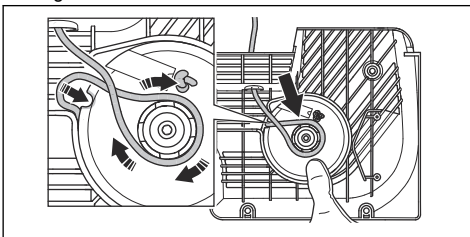
2. Verwijder het starterhuis.

Een beschadigd startkoord vervangen

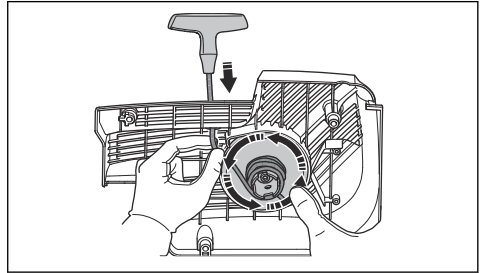
1. Trek het startkoord ongeveer 30 cm (A) uit.



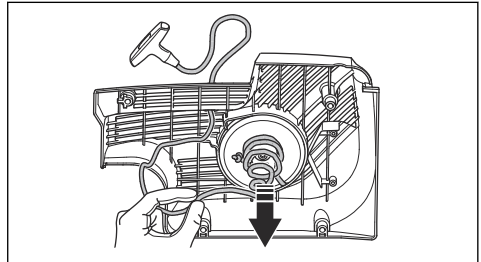
2. Houd de startkoordpoelie (B) met uw duim tegen.
3. Plaats het startkoord in de uitsparing (C) van de koordpoelie.
4. Leg het startkoord om de metalen huls.



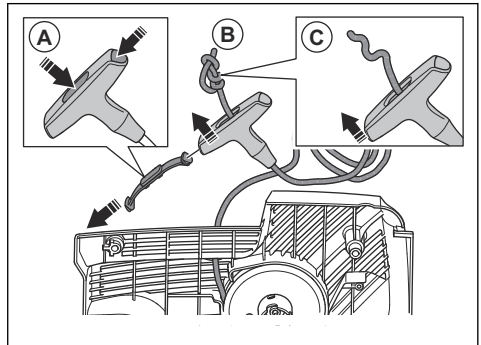
5. Laat de koordpoelie langzaam draaien en wikkel het startkoord op de metalen huls.



6. Trek aan het startkoord om het los te maken van de metalen huls.

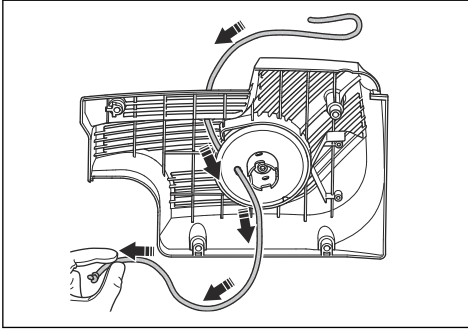


7. Verwijder de afdekking van de handgreep van het startkoord (A).



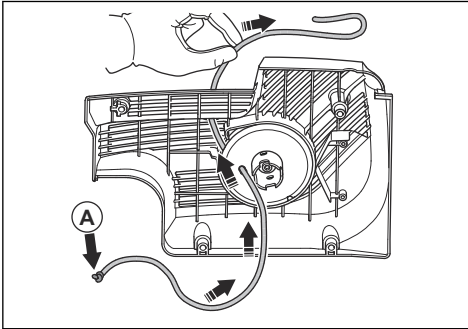
8. Trek het startkoord omhoog door de handgreep (B).
9. Maak de knoop (C) los.

10. Verwijder het startkoord.

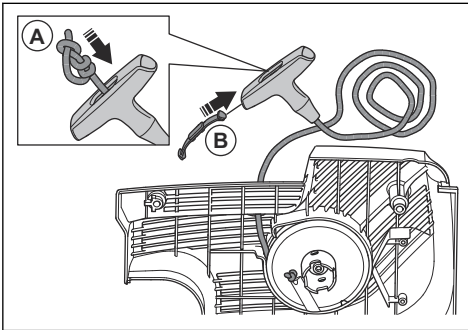


11. Zorg ervoor dat de terugspringveer schoon en niet beschadigd is.

12. Breng een nieuw startkoord (A) aan in het gat in het starterhuis.



13. Trek het startkoord door de handgreep van het startkoord en maak een knoop aan het uiteinde van het startkoord (A).

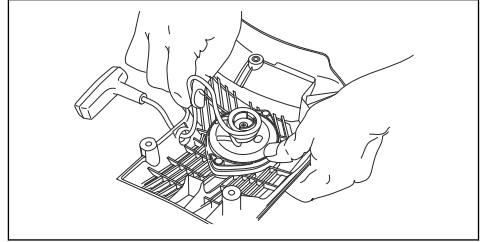


14. Bevestig de afdekking op de handgreep van het startkoord (B).

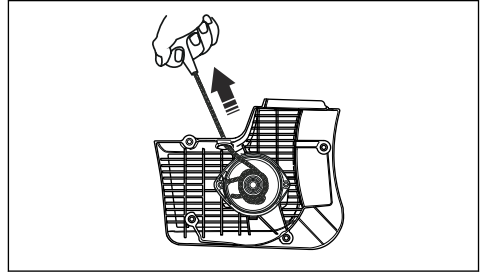
15. Stel de spanning van de terugspringveer af. Zie *De spanning van de terugspringveer afstellen* op pagina 137.

De spanning van de terugspringveer afstellen

1. Plaats het koord door de uitsparing in de koordpoelie. Wikkel het koord drie omwentelingen met de wijzers van de klok mee om het midden van de koordpoelie.



2. Trek aan de startknop om de spanning van de terugspringveer te regelen.
3. Plaats het koord door de uitsparing in de koordpoelie. Wikkel het koord vier omwentelingen met de wijzers van de klok mee om het midden van de koordpoelie.
4. Trek aan de startknop om de spanning van de terugspringveer te regelen.



Let op: De startknop gaat naar zijn plaats als de spanning is afgesteld.

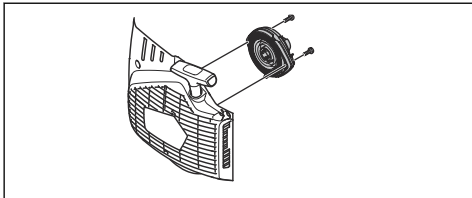
5. Trek het startkoord volledig naar buiten en controleer of de terugspringveer niet in de eindpositie staat. Zorg met uw duim dat de koordpoelie langzaam draait.
6. Controleer of de koordpoelie een halve omwenteling of meer kan worden gedraaid voordat de terugspringveer de bewegingen stopt.

De veereenheid verwijderen



WAARSCHUWING: Draag altijd oogbescherming wanneer u de veereenheid verwijdert. Er is een risico op oogletsel, vooral als een veer gebroken is.

1. Verwijder de twee schroeven op de veereenheid.



2. Duw de twee beugels op de kliksloten met een schroevendraaier.

De veereenheid reinigen



OPGELET: Verwijder de veer niet uit het geheel.

1. Blaas de veer met perslucht schoon.
2. Breng een lichte olie aan op de veer.

De veereenheid bevestigen

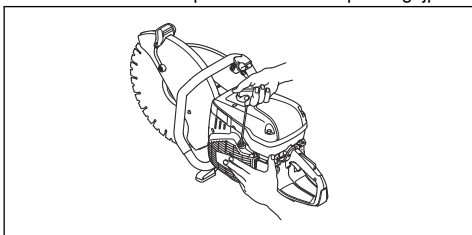
- Monteer in omgekeerde volgorde van *De veereenheid verwijderen op pagina 137*.

Het starterhuis monteren



OPGELET: De starterhaken moeten in de juiste positie tegen de huls van de koordpoelie komen te liggen.

1. Plaats het starterhuis tegen het product.
2. Trek het startkoord langzaam naar buiten en laat het los totdat de starterpoelie in de starterpallen grijpt.



3. Draai de vier schroeven van het starterhuis vast.

De carburateur inspecteren

Let op: De carburateur heeft starre naalden om ervoor te zorgen dat het product altijd het juiste mengsel van brandstof en lucht ontvangt.

1. Controleer het luchtfilter. Zie *Onderhoud uitvoeren aan het luchtfilter op pagina 139*.
2. Vervang indien nodig het luchtfilter.
3. Als de motor in vermogen of motorsnelheid blijft afnemen, moet u contact opnemen met uw Husqvarna-servicedealer.

Brandstofsysteem controleren

1. Controleer of de dop van de brandstoftank en afdichting niet beschadigd zijn.
2. Inspecteer de brandstofleiding. Vervang de brandstofleiding als deze beschadigd is.

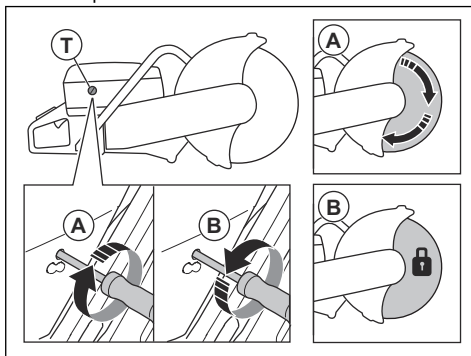
Stationair toerental afstellen



WAARSCHUWING: Als het zaagblad bij stationair toerental draait, moet u contact opnemen met uw servicedealer. Gebruik het product niet tot het stationaire toerental correct is afgesteld of gerepareerd.

Let op: Voor het aanbevolen stationaire toerental, zie *Technische gegevens op pagina 141*.

1. Start de motor.
2. Controleer het stationaire toerental. Wanneer de carburateur juist is afgesteld, stopt het zaagblad wanneer de motor met stationair toerental draait.
3. Gebruik de T-schroef om het stationaire toerental aan te passen.



- a) Draai de schroef rechtsom totdat het zaagblad begint te draaien (A).
- b) Draai de schroef linksom totdat het zaagblad stopt met draaien (B).

Brandstoffilter

Het brandstoffilter is in de brandstoftank gemonteerd. Het brandstoffilter voorkomt vervuiling van de brandstoftank wanneer de brandstoftank wordt gevuld. Het brandstoffilter moet jaarlijks worden vervangen of vaker als het verstopt zit.



OPGELET: Reinig het brandstoffilter niet.

Onderhoud uitvoeren aan het luchtfilter



OPGELET: Wees voorzichtig wanneer u het luchtfilter verwijdert. In de inlaat van de carburateur vallende deeltjes kunnen schade veroorzaken.



OPGELET: Reinig het luchtfilter niet. Het luchtfilter is gemaakt van papier en raakt gemakkelijk beschadigd.

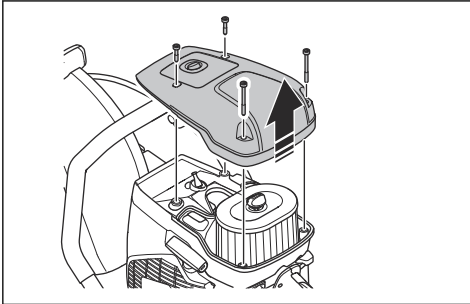


WAARSCHUWING: Gebruik goedgekeurde ademhalingsbescherming wanneer u het luchtfilter vervangt. Het stof in het luchtfilter is schadelijk voor uw gezondheid. Voer gebruikte luchtfilters op de juiste manier af.

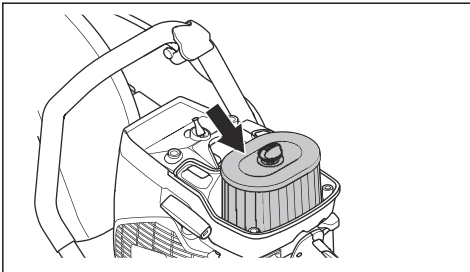
Let op: Vervang het luchtfilter alleen wanneer het beschadigd is.

Controleer het luchtfilter als het motorvermogen afneemt.

1. Maak de vier schroeven op het luchtfilterdeksel los.
2. Verwijder het luchtfilterdeksel.

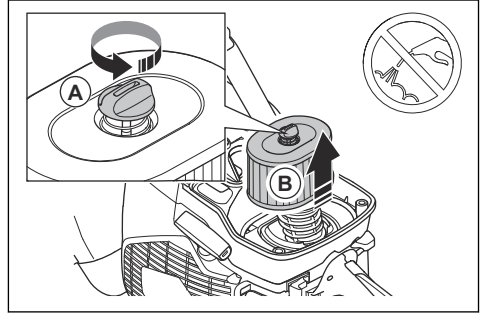


3. Controleer het luchtfilter.



4. Vervang een beschadigd luchtfilter.

- a) Draai de schroef (A) los en verwijder het luchtfilter (B).

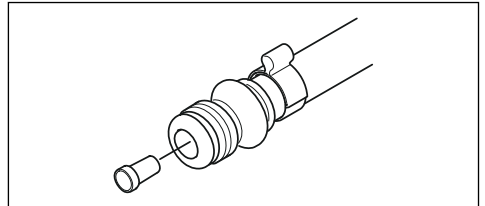


- b) Breng het luchtfilter aan.

5. Plaats het luchtfilterdeksel terug op zijn plaats.
6. Draai de 4 schroeven vast.

Het watertoevoersysteem controleren

1. Controleer de spuitmonden op de bladbeschermkap en controleer of ze niet verstopt zijn.
2. Reinig de betreffende delen indien nodig.
3. Controleer het filter op de wateraansluiting. Controleer of het niet verstopt is.
4. Reinig de betreffende delen indien nodig.



Probleemoplossing

Probleem	Oorzaak	Mogelijke oplossingen
Het product start niet.	De startprocedure is verkeerd uitgevoerd.	Zie <i>Het product starten met een koude motor op pagina 130</i> en <i>Het product starten met een warme motor op pagina 131</i> .
	De stopschakelaar staat in de rechter positie (STOP).	Zorg ervoor dat de stopschakelaar (STOP) zich in de linker positie bevindt.
	Geen brandstof in de brandstoftank.	Vul brandstof bij.
	De bougie is defect.	Vervang de bougie.
	De koppeling is defect.	Neem contact op met uw erkende service-werkplaats.
Het zaagblad draait op stationair toerental.	Het stationaire toerental is te hoog.	Pas het stationaire toerental aan.
	De koppeling is defect.	Neem contact op met uw erkende service-werkplaats.
Het zaagblad draait niet wanneer de gebruiker de gashendel omhoog beweegt.	De riem is te los of defect.	Draai de riem vast of vervang de riem door een nieuwe.
	De koppeling is defect.	Neem contact op met uw erkende service-werkplaats.
	Het zaagblad is verkeerd gemonteerd.	Controleer of het zaagblad correct is gemonteerd.
De machine heeft geen vermogen wanneer de gebruiker de gashendel omhoog beweegt.	Het luchtfilter is verstopt.	Controleer het luchtfilter. Vervang het indien nodig.
	Het brandstoffilter is verstopt.	Vervang het brandstoffilter.
	De stroom van de brandstoftank is geblokkeerd.	Neem contact op met uw erkende service-werkplaats.
De trillingsniveaus zijn te hoog.	Het zaagblad is verkeerd gemonteerd.	Controleer of het zaagblad correct is gemonteerd en niet beschadigd is. Zie <i>Het zaagblad monteren op pagina 122</i> .
	Het zaagblad is defect.	Vervang het zaagblad en controleer of het niet beschadigd is.
	Een trillingsdemper is defect.	Neem contact op met uw erkende service-werkplaats.
De temperatuur van het product is te hoog.	De luchtinlaat of de cilinderflenzen is/ zijn geblokkeerd.	Reinig de luchtinlaat en de cilinderflenzen.
	De aandrijfriemspanning is niet voldoende.	Controleer de riem. Stel de spanning af.
	De koppeling is defect.	Zaag altijd met het gas volledig open.
Controleer de koppeling. Neem contact op met uw erkende servicewerkplaats.		
Het vermogen of het toerental van de motor neemt af.	Het luchtfilter is verstopt.	Controleer het luchtfilter. Zie <i>Onderhoud uitvoeren aan het luchtfilter op pagina 139</i> .

Probleem	Oorzaak	Mogelijke oplossingen
Er is veel stof tijdens het gebruik. U kunt stof in de lucht zien.	De watertoevoer of waterdruk is onvoldoende.	Controleer de watertoevoer naar het product. <i>Zie Het watertoevoersysteem controleren op pagina 139.</i>
De SmartGuard beweegt niet vrij.	De bewegende delen van de SmartGuard zijn verstopt.	Reinig de bewegende delen.
De SmartGuard wordt niet ingetrokken wanneer het product van het werkstuk wordt verwijderd.	De veren van de SmartGuard werken niet correct.	Controleer de veren. Reinig de veren.

Vervoer, opslag en verwerking

Transport en opslag

- Zet het product tijdens het vervoer veilig vast om schade en ongevallen te voorkomen.
- Verwijder het zaagblad voordat u het product vervoert of opslaat.
- Bewaar het product in een afgesloten ruimte om toegang door kinderen of onbevoegde personen te verhinderen.
- Bewaar de zaagbladen in droge, vorstvrije omstandigheden.
- Controleer alle nieuwe en gebruikte bladen op transport- en opslagschade voordat u ze monteert.
- Reinig en onderhoud het product voordat het wordt opgeslagen. Zie *Onderhoudsschema op pagina 133*.

- Verwijder de brandstof uit de brandstoftank voor langdurige opslag.

Afvoeren

- Neem de plaatselijk geldende wet- en regelgeving voor recycling in acht.
- Voer alle chemicaliën, zoals olie of brandstof, af via een servicecentrum of een geschikte verwijderingslocatie.
- Wanneer het product niet langer in gebruik is, stuur het dan naar een Husqvarna dealer of voer het af via een recyclingslocatie.

Technische gegevens

Technische gegevens

	K 970 III, K 970 III Res-cue	K 970 SmartGuard
Cilinderinhoud, cm ³ /cu.in	93,6/5,7	93,6/5,7
Cilinderdiameter, mm/inch	56 /2,2	56 /2,2
Verplaatsingsafstand, mm/inch	38/1,5	38/1,5
Stationair toerental, tpm	2700	2700
Volgas, onbelast, tpm	9300 (+/- 150)	9300 (+/- 150)
Vermogen, kW/pk bij tpm	4,8/6,5 bij 9000	4,8/6,5 bij 9000
Bougie	NGK BPMR 7A	NGK BPMR 7A
Afstand tussen de elektroden, mm /inch	0,5/0,02	0,5/0,02
Inhoud brandstoftank, liter/US fl oz	1/33,8	1/33,8
Aanbevolen waterdruk, bar/PSI	0,5-10/7-150	0,5-10/7-150
Gewicht		

	K 970 III, K 970 III Rescue	K 970 SmartGuard
Doorslijpmachine zonder brandstof en zaagblad 350 mm, kg/lb*	11,0/24,3	11,9/26,2
*Rescue draagriem, extra 0,4 kg/0,9 lb.		
Doorslijpmachine zonder brandstof en zaagblad 400 mm (16 inch), kg/lb	11,6/24,6	NVT
Spil, uitgaande as		
Max. spilsnelheid met zaagblad 350 mm (14 inch), tpm	4700	4700
Max. spilsnelheid met zaagblad 400 mm (16 inch), tpm	4300	NVT
Max. omtreksnelheid, m/s of ft/min	90 of 18000	90 of 18000
Geluidsemisies		
Geluidsvermogeniveau, gemeten dB(A)	114	114
Geluidsvermogeniveau, gegarandeerd L_{WA} dB (A) ¹⁰	115	115
Equivalent geluidsdruk niveau bij het oor van de gebruiker, dB (A) ¹¹	104	104
Equivalent trillingsniveaus, a_{hveq}¹²		
Hendel voor/achter 350 mm, m/s^2	3,8/4,2	4,5/3,7
Hendel voor/achter 400 mm, m/s^2	3,5/4,0	NVT

Aanbevolen zaagbladafmetingen

Diameter zaagblad, mm/inch	Max. zaagdiepte, mm/inch	Zaagbladtoerental, tpm	Zaagbladvermogen, m/s of ft/min	Middengatdiameter zaagblad, mm/inch	Max. blad dikte, mm/inch
350/14	125/5	5500	100 of 19600	25,4/1 of 20/0,79	5/0,2
400/16	155/6	4775	100 of 19600	25,4/1 of 20/0,79	5/0,2

Verklaring inzake geluid- en trillingsemisies

Deze aangegeven waarden zijn verkregen door middel van typeonderzoek in een laboratorium in overeenstemming met de genoemde richtlijn of normen en zijn geschikt voor vergelijking met aangegeven waarden van andere producten die volgens dezelfde richtlijn of normen zijn getest. Deze aangegeven

waarden zijn niet geschikt voor gebruik ten behoeve van risicoanalyses. Waarden die worden gemeten op afzonderlijke werkplekken, kunnen hoger zijn. De werkelijke blootstellingswaarden en het risico op letsel dat een individuele gebruiker ondervindt, zijn uniek en zijn afhankelijk van de manier waarop de gebruiker werkt, het materiaal waarvoor het product gebruikt wordt, de blootstellingstijd en de fysieke toestand van de gebruiker en de toestand van het product.

¹⁰ Geluidsemisies naar de omgeving zijn gemeten als geluidsvermogen (L_{WA}) volgens richtlijn 2000/14/EC. Het verschil tussen gegarandeerd en gemeten geluidsvermogen is dat het gegarandeerde geluidsvermogen spreiding in het meetresultaat omvat en de variaties tussen de verschillende eenheden van hetzelfde product conform richtlijn 2000/14/EC.

¹¹ Het vergelijkbare geluidsdruk niveau, conform EN ISO 19432, is berekend als de totale tijdgewogen energie voor verschillende geluidsdruk niveaus onder verschillende bedrijfsomstandigheden. De gerapporteerde gegevens voor een vergelijkbaar geluidsdruk niveau voor de machine vertonen een typische statistische spreiding (standaardafwijking) van 1 dB (A).

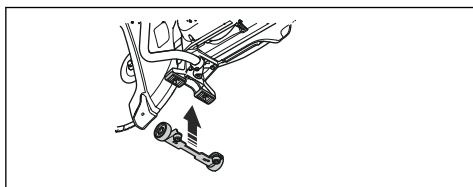
¹² Het equivalente trillingsniveau, conform EN ISO 19432, wordt berekend als de totale tijdgewogen energie van de trillingsniveaus onder verschillende bedrijfsomstandigheden. De gerapporteerde gegevens voor een vergelijkbaar trillingsniveau vertonen een typische statistische spreiding (standaardafwijking) van $1m/s^2$.

Sensor voor Husqvarna Fleet Services™

Dit product is compatibel met de sensor van de Husqvarna Fleet machine. Het product kan vervolgens worden verbonden met Husqvarna Fleet Services™, een cloudoplossing waarmee de commerciële fleetmanager een overzicht heeft van alle producten. Voor meer informatie over Husqvarna Fleet Services™, zie www.husqvarna.com.

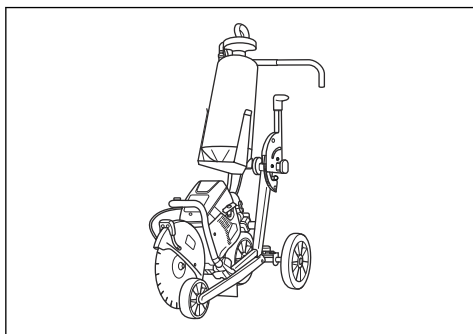
Wielenset

De wielenset is aan de onderzijde van het product bevestigd.



Zaagwagen

Een zaagwagen maakt het eenvoudiger om in vloeren en wegen te zagen, vooral lange zaagsneden met een vaste diepte. Snelkoppelingen maken het eenvoudig om het product op een wagen te bevestigen.



EG verklaring van overeenstemming

EG verklaring van overeenstemming

Wij, **Husqvarna AB**, SE-561 82 Huskvarna, Zweden, tel:
+46-36-146500, verklaren onder onze
alleenverantwoordelijkheid dat het product:

Beschrijving	Draagbare doorslijper
Merk	Husqvarna
Type/model	K 970 III, K 970 III Rescue, K 970 SmartGuard
Identificatie	Serienummers vanaf 2020 en verder

volledig voldoet aan de volgende EU-richtlijnen en -
regelgeving:

Richtlijn/Verordening	Beschrijving
2006/42/EC	"betreffende machines"
2000/14/EC	"betreffende geluid buitenshuis"
2014/30/EU	"betreffende elektromagnetische compatibiliteit"
2011/65/EU	"betreffende beperkingen van gevaarlijke stoffen"

en dat de volgende geharmoniseerde normen en/of
technische specificaties zijn toegepast:

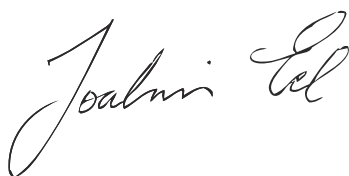
EN ISO 12100:2010, EN ISO 19432:2012, EN ISO
19432-1:2020

EN 55012:2008+A1:2009, EN ISO 14982:2009

RISE SMP Svensk Maskinprovning AB, Box 7035,
SE-750 07 Uppsala, Zweden, heeft een vrijwillig
typeonderzoek uitgevoerd volgens de richtlijn voor
machines (2006/42/EG). Certificaatnummer: SEC/
10/2286

Aangemelde instantie: 0404, RISE SMP Svensk
Maskinprovning AB, Box 7035, SE--750 07 Uppsala,
Zweden, een verklaring afgegeven van
overeenstemming met de Richtlijn van de Raad
2000/14/EG, Bijlage V. Certificaatnummer: 01/169/036.
Raadpleeg voor informatie betreffende geluidsemisatie
de sectie met technische gegevens.

Partille, 2020-04-14



Joakim Ed

Vice President, Concrete Sawing, Drilling & Light
Demolition

Husqvarna AB, Construction-divisie

Verantwoordelijk voor technische documentatie



www.husqvarnacp.com

Original instructions
Originalanweisungen
Instructions d'origine
Originele instructies

1142213-20



2020-04-23