

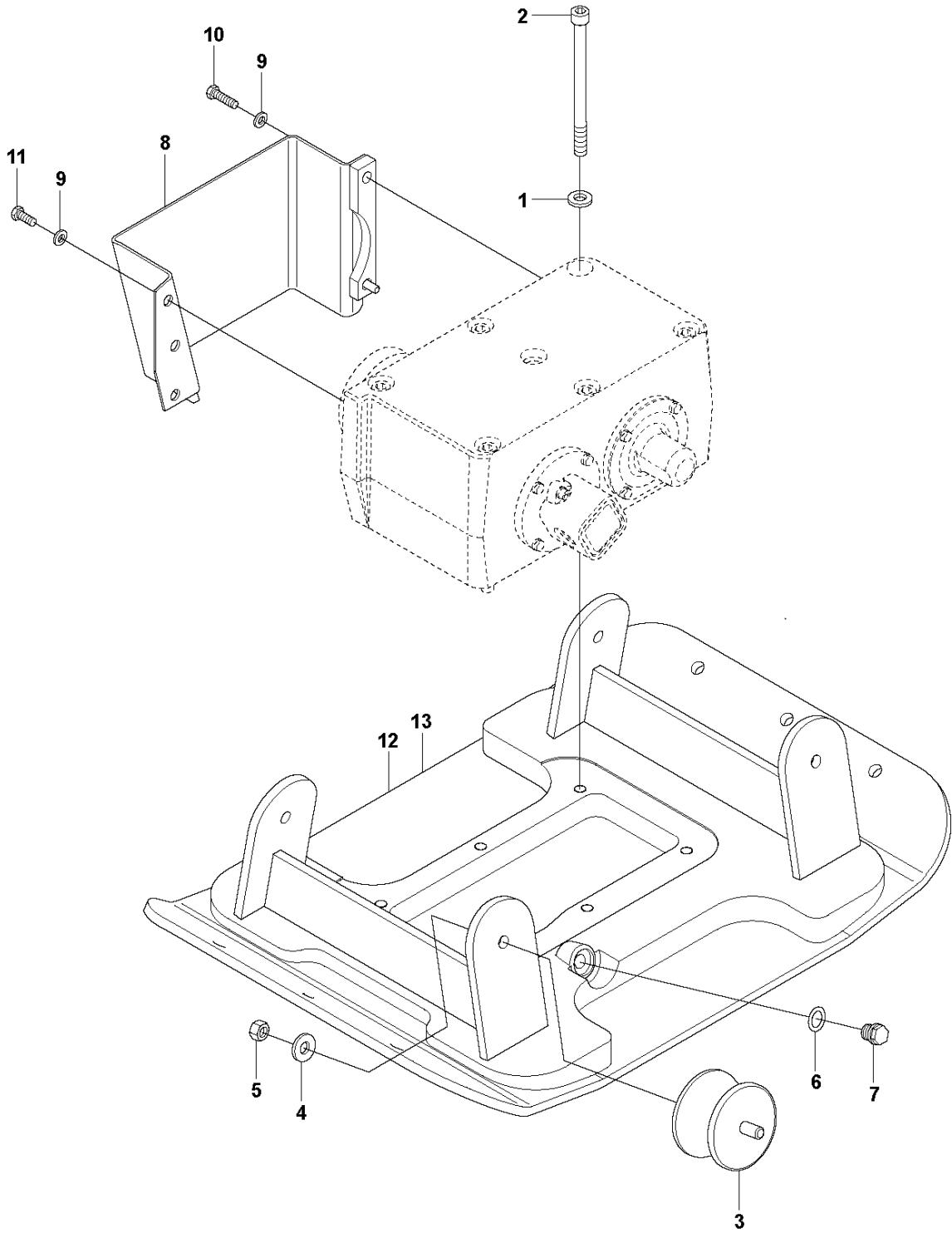


SPARE PARTS LIST

LIGHT COMPACTION

LG 300, 967855303, 967855306,
967855304, 967855307, 967855305,
967855301, 967855302, 2019-06

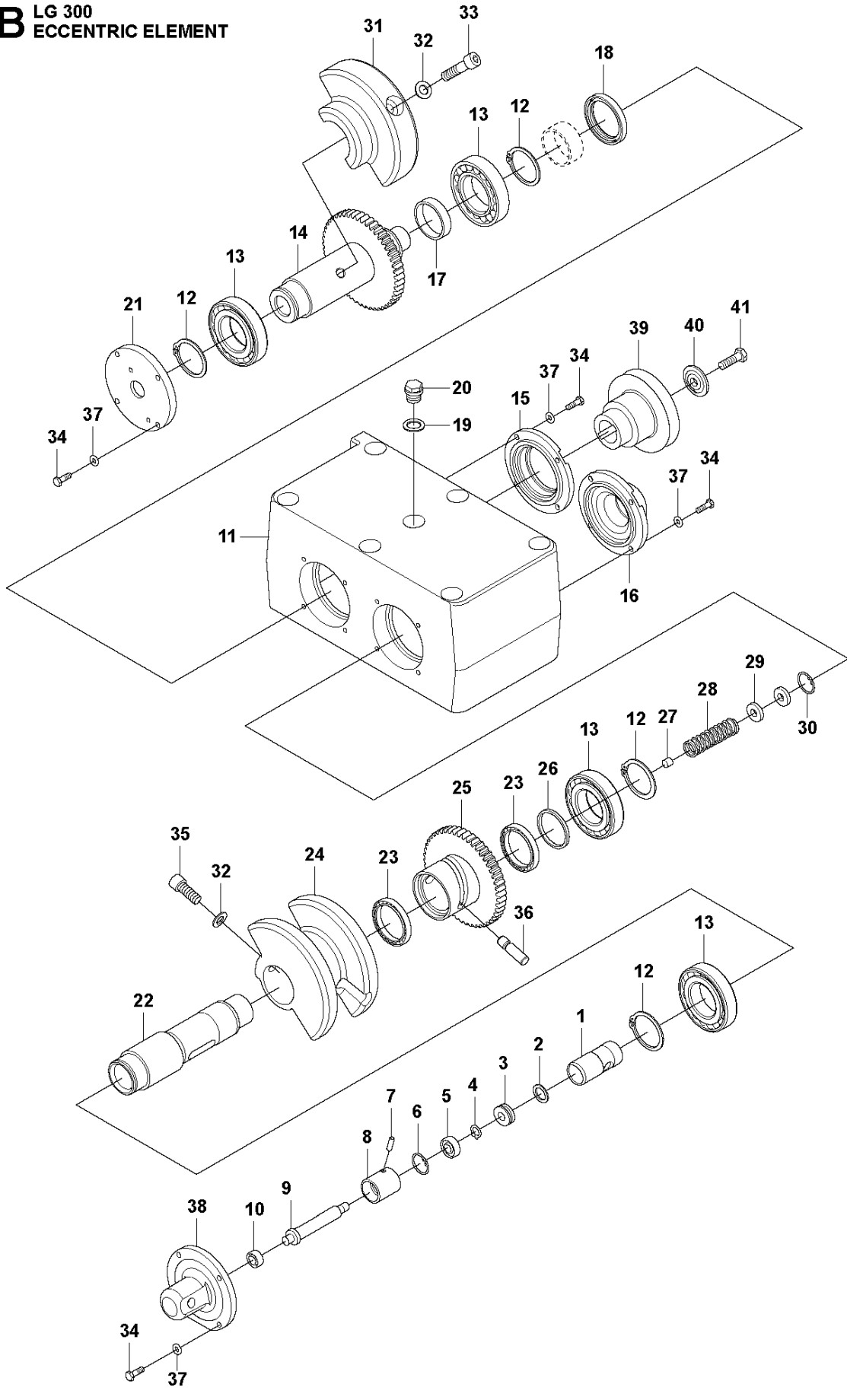
A LG 300
GROUND PLATE AND ECCENTRIC ELEMENT INSTALLATION



GROUND PLATE & ECCENTRIC ELEMENT INSTALLATION LG 300, 967855303, 967855306,
 967855304, 967855307, 967855305, 967855301, 967855302, 2019-06

Ref	Part No	Description	Remark	QTY KIT
1	595 11 30-01	WASHER	13 x 24 x 6 mm, 0.51 x 0.95 x 0.16 in. 300 HV	6
2	594 55 18-01	SCREW	M12 x 160 mm 12.9GEOMET®	6
3	594 32 70-01	ABSORBER		4
4	595 06 68-01	WASHER	13 x 24 x 2 mm, 0.51 x 0.94 x 0.08 in. 300 HV	4
5	595 35 18-01	NUT	M12 A3K	4
6	595 51 43-01	WASHER	16.7 x 24 x 1.5 mm, 0.66 x 0.94 x 0.06 in. TYPE A, M16	1
7	595 04 83-01	PLUG	M16	1
8	594 43 13-01	BELT COVER		1
9	595 03 66-01	WASHER	8.4 x16 x1.5 mm, 0.33 x 0.63 x 0.06 in. 300 HV	5
10	595 05 54-01	SCREW	M8x20 mm 8.8 A2K	3
11	594 11 79-01	SCREW	M8 x 30 mm 8.8 A2K	2
12	595 50 45-01	PLATE	500 mm, 19.68 in.	1
13	594 64 43-01	GROUND PLATE	600 mm, 23.62 in.	1

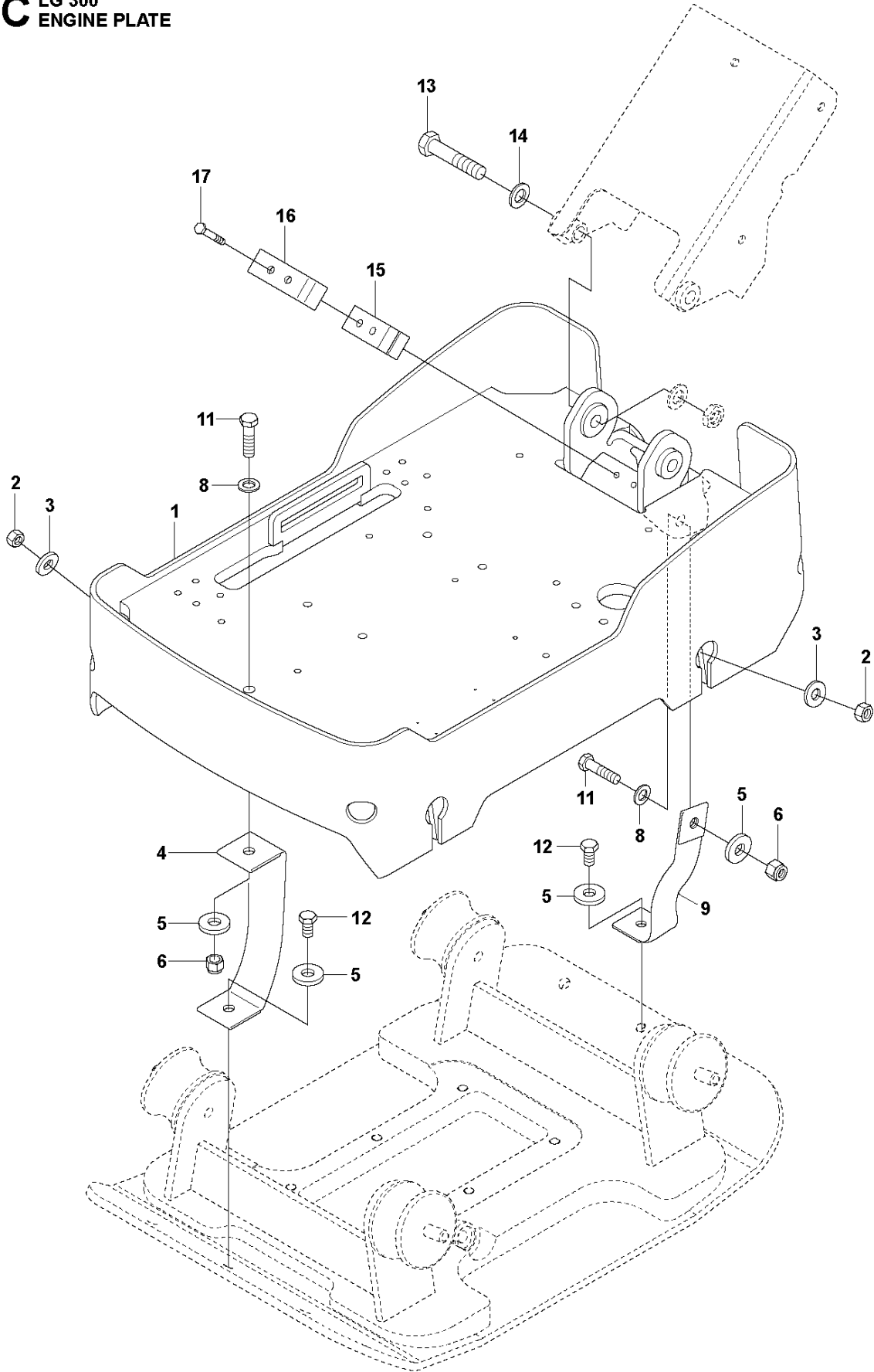
B LG 300
ECCENTRIC ELEMENT



ECCENTRIC ELEMENT LG 300, 967855303, 967855306, 967855304, 967855307, 967855305,
967855301, 967855302, 2019-06

Ref	Part No	Description	Remark	QTY KIT
1	594 64 35-01	PISTON		1
2	594 64 77-01	SPRING WASHER		1
3	594 64 76-01	BALL BEARING		1
4	594 26 56-01	RING		1
5	594 64 75-01	BALL BEARING		1
6	594 26 64-01	RING		1
7	595 06 26-01	PIN		1
8	594 64 50-01	CAP		1
9	594 64 33-01	PISTON ROD		1
10	594 33 22-01	SEALING		1
11	594 43 60-01	HOUSING		1
12	595 04 58-01	SNAP RING		4
13	594 53 11-01	ROLLER BEARING		4
14	594 48 72-01	SHAFT		1
15	594 43 58-01	COVER		1
16	594 64 37-01	COVER		1
17	594 32 59-01	SPACER RING		1
18	594 54 74-01	SEALING		1
19	595 04 78-01	GASKET	16.7x24x1.5 mm Type A M16	1
20	595 04 83-01	PLUG	M16	1
21	594 43 59-01	COVER		1
22	594 64 36-01	SHAFT		1
23	594 55 05-01	BALL BEARING		2
24	594 32 67-01	EXCENTER		1
25	594 64 49-01	GEAR WHEEL		1
26	594 32 60-01	SPACER RING		1
27	594 54 65-01	STOP SCREW	M10 x 12 mm	1
28	594 32 69-01	SPRING		1
29	594 32 62-01	WASHER		2
30	595 04 60-01	RETAINER RING		1
31	594 35 62-01	EXCENTER		1
32	595 11 89-01	LOCKWASHER	12 x 22 x 2 mm, 0.47 x 0.87 x 0.08 in. 300 HV	2
33	594 52 63-01	SCREW	M12 x 60 mm 10.9GEOMET®	1
34	595 10 98-01	SCREW	M6 x 20 mm 8.8 A2K	16
35	594 52 62-01	SCREW	M12 x 30mm 10.9GEOMET®	1
36	594 32 58-01	PIN		1
37	595 03 65-01	WASHER	6.4 x 12 x 1.5 mm, 0.25 x 0.47 x 0.06 in. 300 HV	16
38	594 64 32-01	CYLINDER		1
39	594 43 03-01	PULLEY		1
40	594 32 63-01	WASHER		1
41	594 11 85-01	BOLT	M10 x 25 mm	1

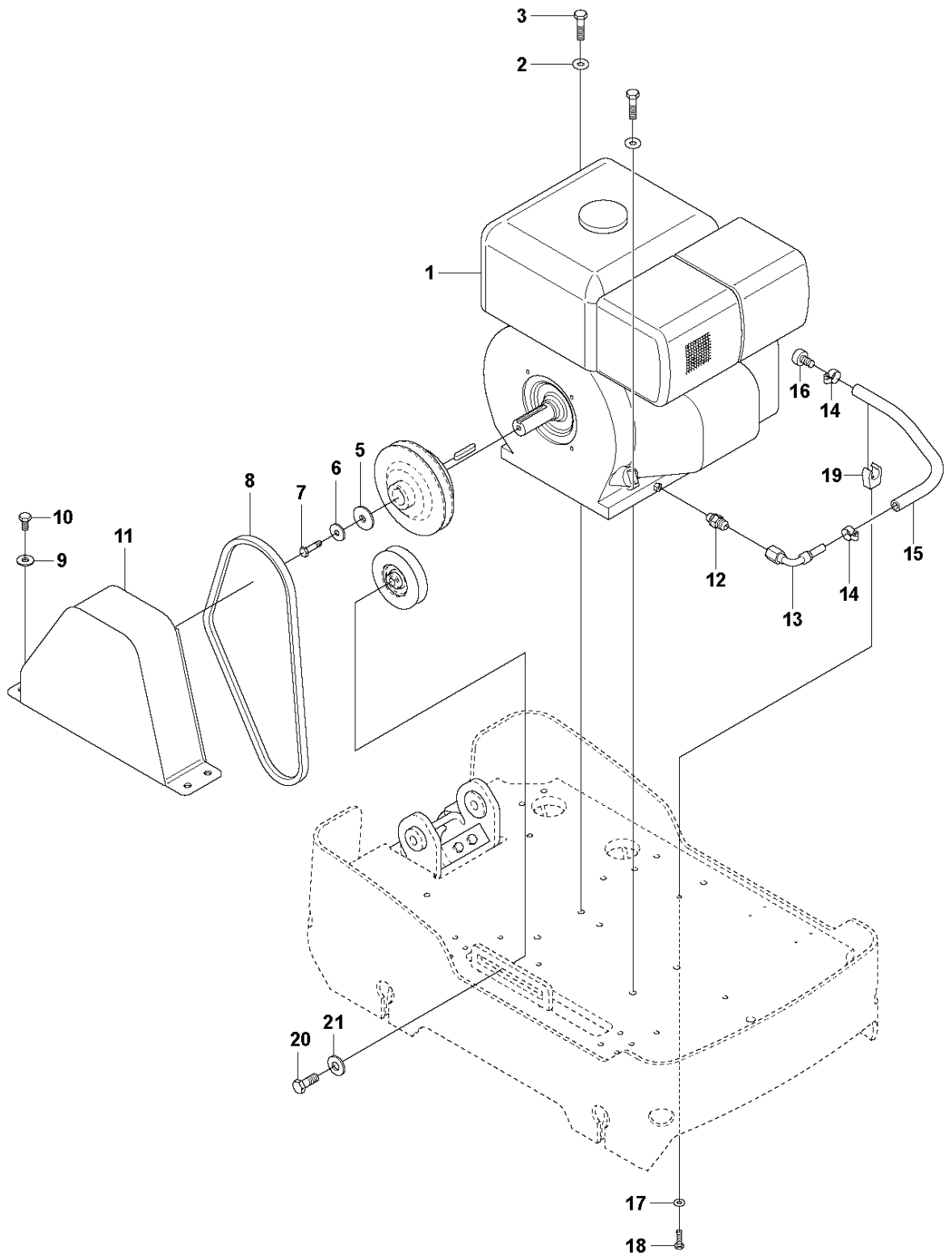
C LG 300
ENGINE PLATE



ENGINE PLATE LG 300, 967855303, 967855306, 967855304, 967855307, 967855305, 967855301, 967855302, 2019-06

Ref	Part No	Description	Remark	QTY KIT
1	595 12 04-01	ENGINE PLATE		1
2	595 35 18-01	NUT	M12 A3K	4
3	595 11 28-01	WASHER	13 x 30 x 4 mm, 0.51 x 1.18 x 0.16 in. 300 HV	4
4	594 14 30-01	STRAP		1
5	594 12 40-01	WASHER	13 x 36 x 6 mm, 0.51 x 1.42 x 0.24 in. 300 HV	4
6	595 11 27-01	NUT	M12 x 25 mm 8.8 A3K	2
8	595 06 68-01	WASHER	13 x 24 x 2 mm, 0.51 x 0.94 x 0.08 in. 300 HV	1
9	594 14 15-01	STRAP		1
11	595 05 55-01	SCREW	M12 x 45 mm 8.8 A3K	2
12	595 34 52-01	BOLT	M12 x 20 mm 8.8 A3K	2
13	595 34 41-01	SCREW	M16 x 80 mm 10.9 GEOMET®	2
14	595 03 67-01	WASHER	10.5 x 22 x 2 mm, 0.41 x 0.87 x 0.08 in. 300 HV	4
15	594 32 40-01	BLOCK		1
16	594 14 74-01	BRACKET		1
17	595 28 71-01	SCREW	M8 x 50 mm 8.8 A2K	2

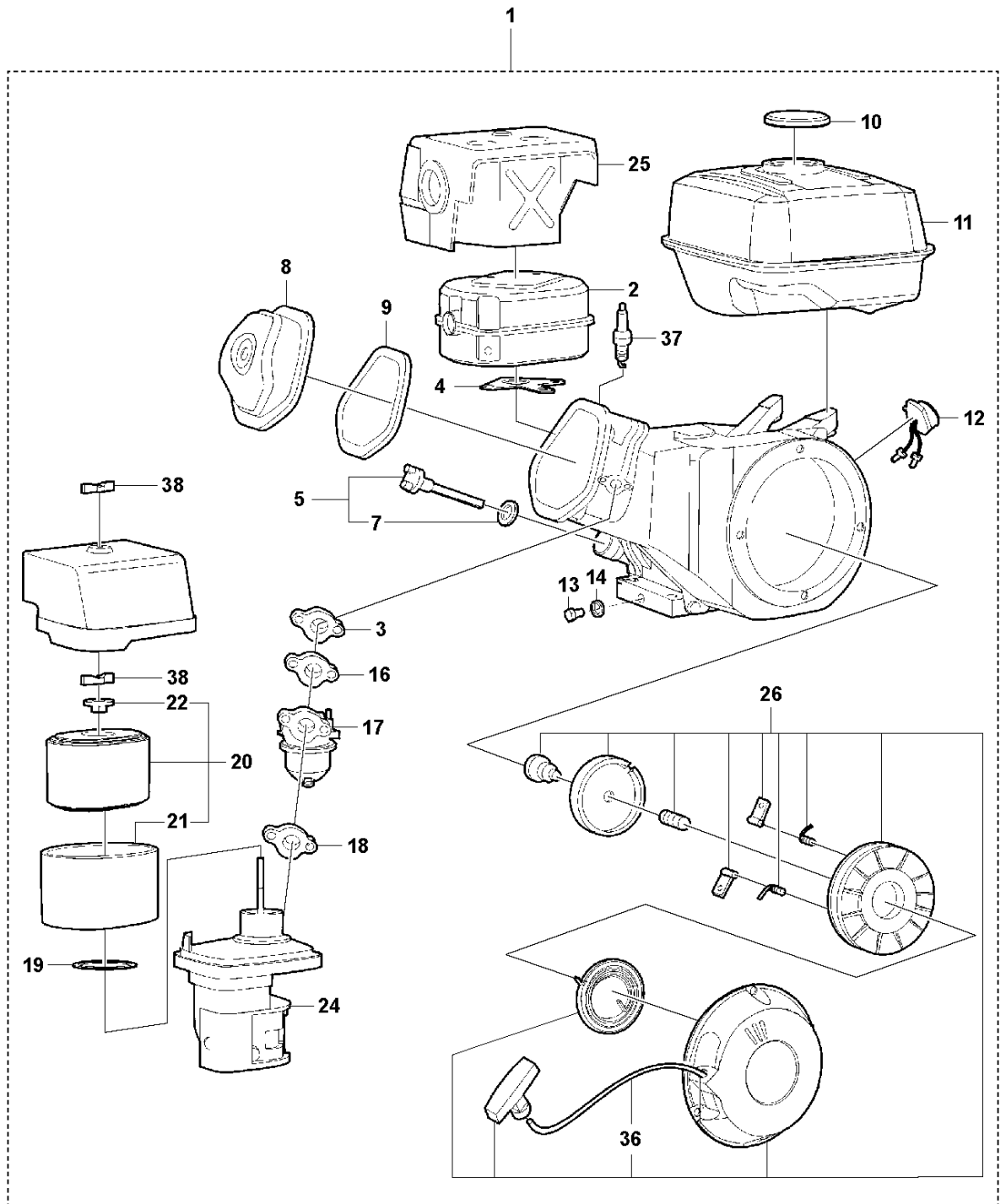
D LG 300
ENGINE INSTALLATION - HONDA



ENGINE INSTALLATION - HONDA LG 300, 967855303, 967855306, 967855304, 967855307,
967855305, 967855301, 967855302, 2019-06

Ref	Part No	Description	Remark	QTY KIT
1	594 35 23-01	ENGINE		1
2	594 74 73-01	WASHER	10.5 x 22 x 4 mm , 0.33 x 0.87 x 0.16 in. 300 HV	4
3	595 34 48-01	SCREW	M10 x 40 mm 8.8 A3K	4
5	594 50 16-01	WASHER	9 x 35 x 2 mm SR	1
6	595 11 29-01	WASHER	8.4 x 26 x 4 mm, 0.33 x 1.02 x 0.16 in. 300 HV	1
7	595 03 34-01	SCREW	M8 x 30 mm 8.8 A2K	1
8	594 33 27-01	BELT		1
9	594 12 34-01	WASHER	M08 8,4x22x3,0 300 HV	4
10	594 11 79-01	SCREW	M8 x 16 mm 8.8 A2K	4
11	594 96 18-01	V-BELT		1
12	595 18 60-01	ADAPTER		1
13	594 52 29-01	CONNECTOR		1
14	595 45 46-01	CLAMP	11-18 x 9 mm, 0.43 -0.71 x 0.35 in.	2
15	594 14 78-01	HOSE		1
16	594 14 73-01	PLUG		1
17	595 03 65-01	WASHER	Washer must be added here under the bolt.	
18	596 69 50-08	SCREW	M5 x 25 mm 8.8 A2K	1
19	594 33 10-01	CLIP		1
20	594 11 90-01	BOLT	13 x 36 x 6 mm, 0.51 x 1.42 x 0.24 in. 300 HV	1
21	595 11 28-01	WASHER	M12 x 30 mm 8.8 A3K	1

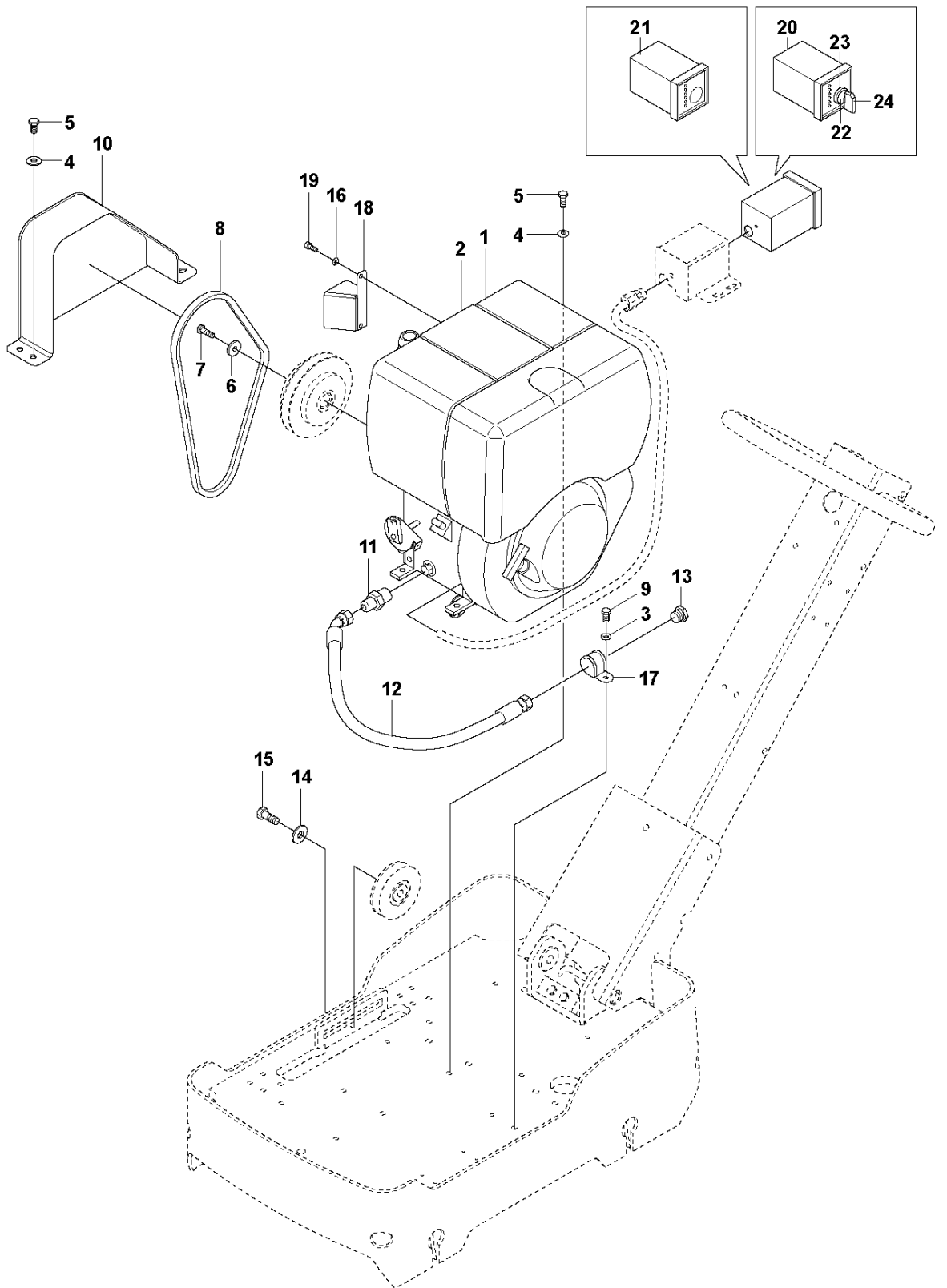
E LG 300
ENGINE - HONDA GX 270 UT SWS4



ENGINE - HONDALG 300, 967855303, 967855306, 967855304, 967855307, 967855305, 967855301, 967855302, 2019-06

Ref	Part No	Description	Remark	QTY	KIT
1	594 35 23-01	ENGINE	Honda GX 270 UT SWS4	1	
2	594 57 53-01	MUFFLER		1	1
3	595 47 07-01	GASKET		1	1
4	595 13 12-01	GASKET		1	1
5	595 38 19-01	DIPSTICK		1	1
7	594 20 39-01	GASKET		1	5
8	595 13 13-01	COVER		1	1
9	594 76 03-01	GASKET		1	1
10	594 60 91-01	CAP		1	1
11	595 13 11-01	FUEL TANK		1	1
12	594 20 58-01	SWITCH		1	1
13	595 38 20-01	OIL PLUG		1	1
14	594 76 06-01	GASKET		1	1
16	595 19 15-01	GASKET		1	1
17	595 13 14-01	CARBURETTOR		1	1
18	595 19 14-01	SPACER		1	1
19	595 47 08-01	GASKET		1	1
20	594 57 51-01	AIR FILTER		1	1
21	594 37 17-01	AIR FILTER	Complete	1	20
22	595 04 94-01	GASKET		1	20
24	595 13 15-01	AIR FILTER		1	1
25	595 38 21-01	COVER		1	1
26	594 20 59-01	STARTER	Complete	1	1
36	594 84 81-01	STRAP		1	26
37	594 57 50-01	SPARK PLUG		1	1
38	595 04 93-01	NUT		2	1

F LG 300
ENGINE INSTALLATION - HATZ



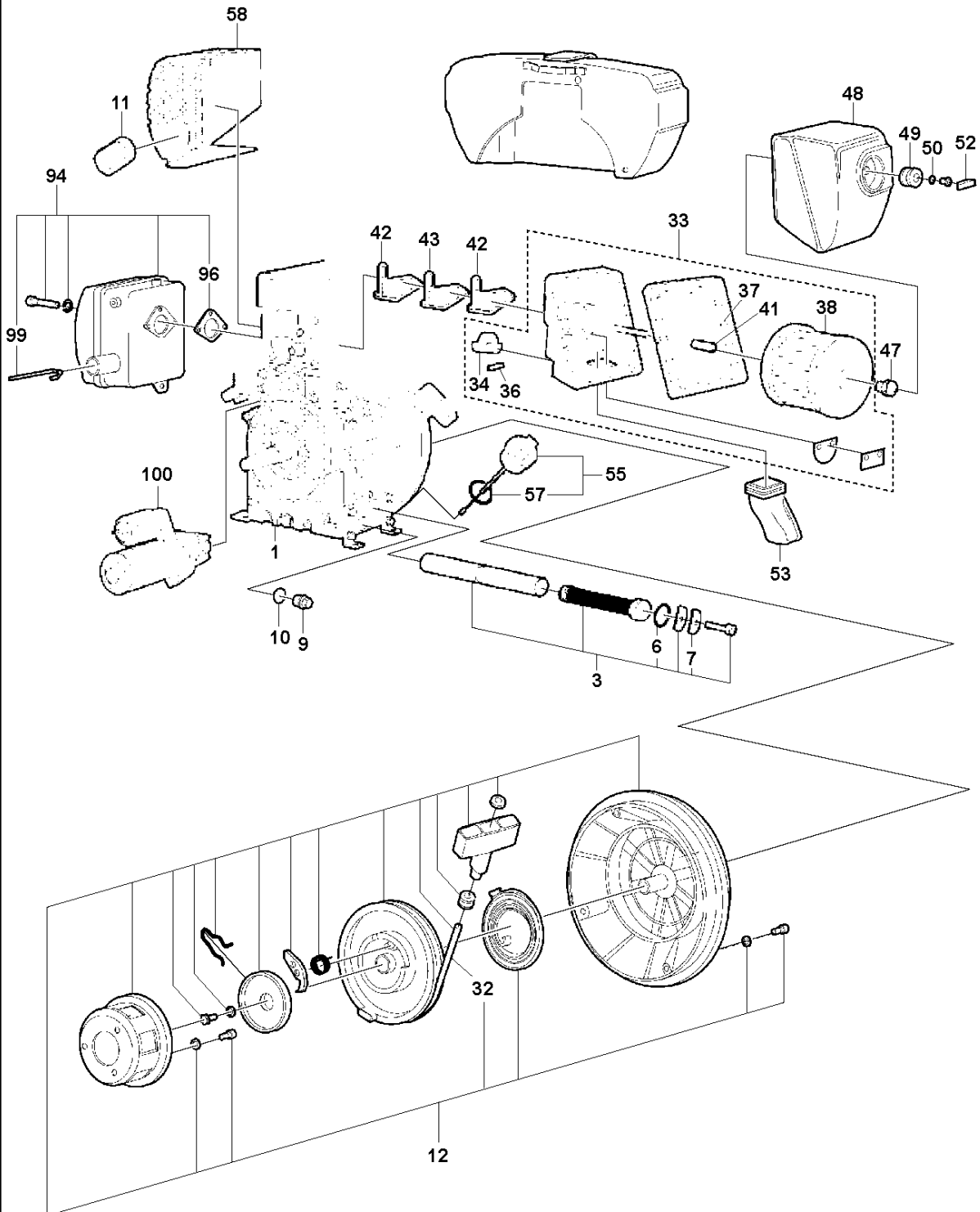
ENGINE INSTALLATION - HATZ

LG 300, 967855303, 967855306, 967855304, 967855307,

967855305, 967855301, 967855302, 2019-06

Ref	Part No	Description	Remark	QTY KIT
1	595 17 14-01	ENGINE	Diesel, manual	1
2	595 17 13-01	ENGINE	Diesel, electric	1
3	595 36 55-01	ENGINE	Diesel, Hatz 1B30 electric start, EPA-version (For US and Canada market)	
4	594 12 34-01	WASHER	8.4 x 16 x 1.5 mm, 0.33 x 0.63 x 0.06 in. 300 HV	9
5	594 11 79-01	SCREW	M8 x 20 mm 8.8 A2K	4
6	595 11 29-01	WASHER	8.4 x 26 x 4 mm, 0.33 x 1.02 x 0.16 in. 300 HV	1
7	595 03 34-01	SCREW	M8 x 25 mm 8.8 A2K	1
8	594 33 18-01	BELT		1
9	595 11 01-01	SCREW	M8 x 16 mm 8.8 A2K	5
10	594 96 19-01	V-BELT		1
11	595 18 66-01	ADAPTER		1
12	595 37 56-01	HYDRAULIC HOSE		1
13	595 45 25-01	PLUG		1
14	595 11 28-01	WASHER	13 x 30 x 4 mm, 0.51 x 1.18 x 0.16 in. 300 HV	1
15	594 11 90-01	BOLT	M6 x 20 mm 8.8 A2K	1
16	595 03 65-01	WASHER	6,4x12x1,5	2
17	595 18 86-01	CLAMP		1
18	595 17 64-01	DEFLECTOR		1
19	595 03 42-01	SCREW		2
20	594 43 16-01	CONTROL	Standard	1
21	594 43 17-01	BOX	Option	1
22	594 43 43-01	COVER		1
23	594 58 15-01	IGNITION SWITCH		1
24	594 58 11-01	KEY		1

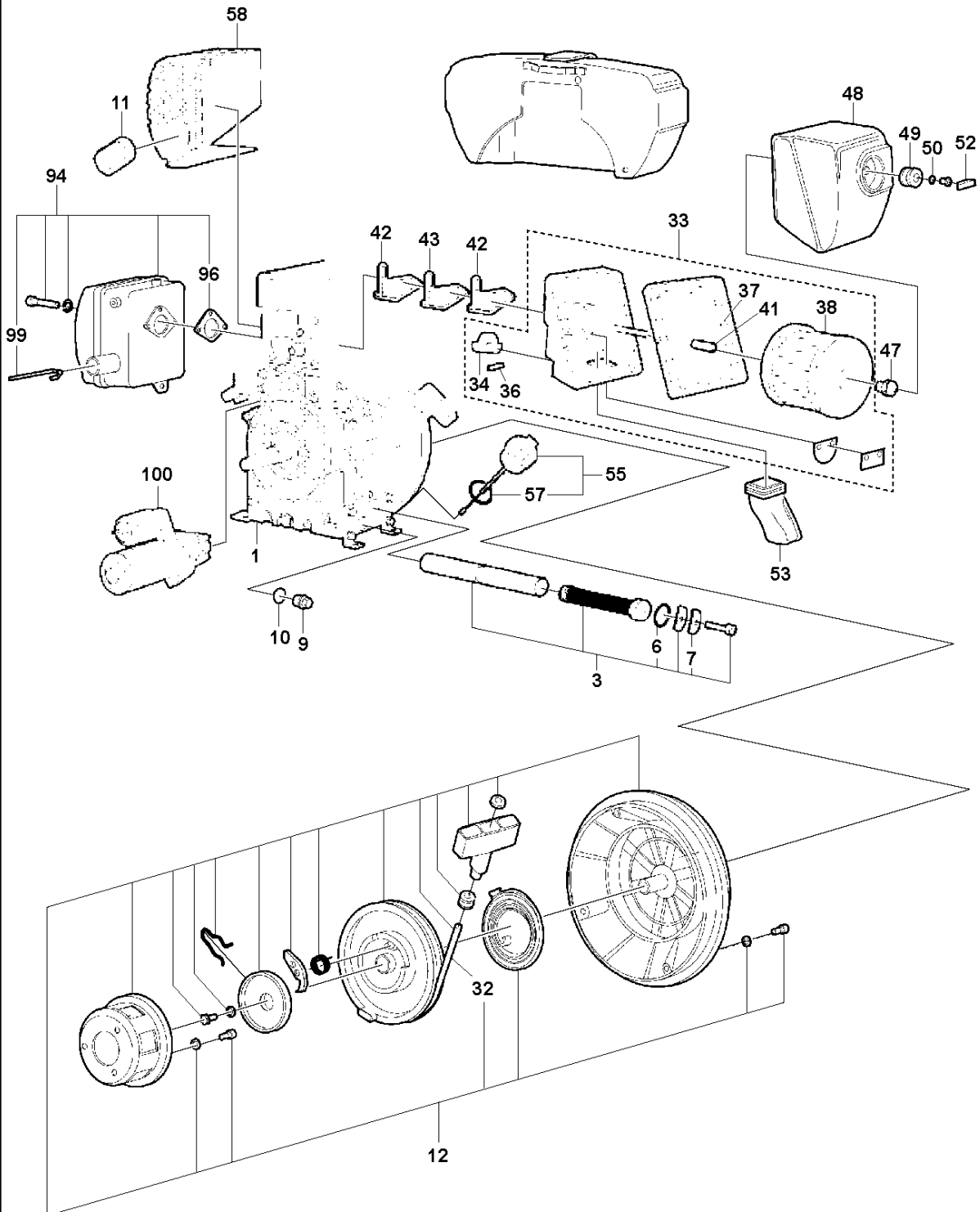
G LG 300
ENGINE - HATZ 1B30 - ELECTRIC START



ENGINE - HATZ - ELECTRIC START LG 300, 967855303, 967855306, 967855304, 967855307,
967855305, 967855301, 967855302, 2019-06

Ref	Part No	Description	Remark	QTY	KIT
1	595 17 13-01	ENGINE	Hatz 1B30, Electric start	1	
3	594 57 01-01	STRAINER	Complete	1	
6	595 38 06-01	O-RING		1	3
7	595 38 07-01	LOCKWASHER		2	3
9	594 57 02-01	PLUG		1	
10	594 51 30-01	GASKET		1	
11	594 57 04-01	EXHAUST PIPE		1	
12	594 56 84-01	STARTER		1	
32	594 56 90-01	ROPE		1	12
33	595 38 22-01	AIR FILTER		1	
34	594 57 21-01	NIPPLE		1	33
36	595 38 08-01	SEALING		1	33
37	594 60 43-01	TRIM		1	33
38	595 37 73-01	FILTER		1	33
41	594 20 26-01	SLEEVE		1	33
42	594 57 20-01	GASKET		2	
43	595 47 02-01	GASKET		1	
47	594 57 12-01	NUT		1	
48	594 57 31-01	PROTECTIVE COVER		1	
49	594 57 14-01	SLEEVE		1	
50	595 38 09-01	SHIM		1	
52	594 57 15-01	NUT		1	
53	594 57 17-01	TUBE		1	
55	594 57 80-01	OIL		1	
57	594 60 55-01	O-RING		1	55
58	594 59 20-01	PROTECTIVE COVER		1	
94	594 59 53-01	MUFFLER		1	
96	594 57 33-01	GASKET		1	94
99	595 38 10-01	HOOK		1	94
100	594 58 52-01	STARTER		1	

H LG 300
ENGINE - HATZ 1B30 - ELECTRIC START - EPA



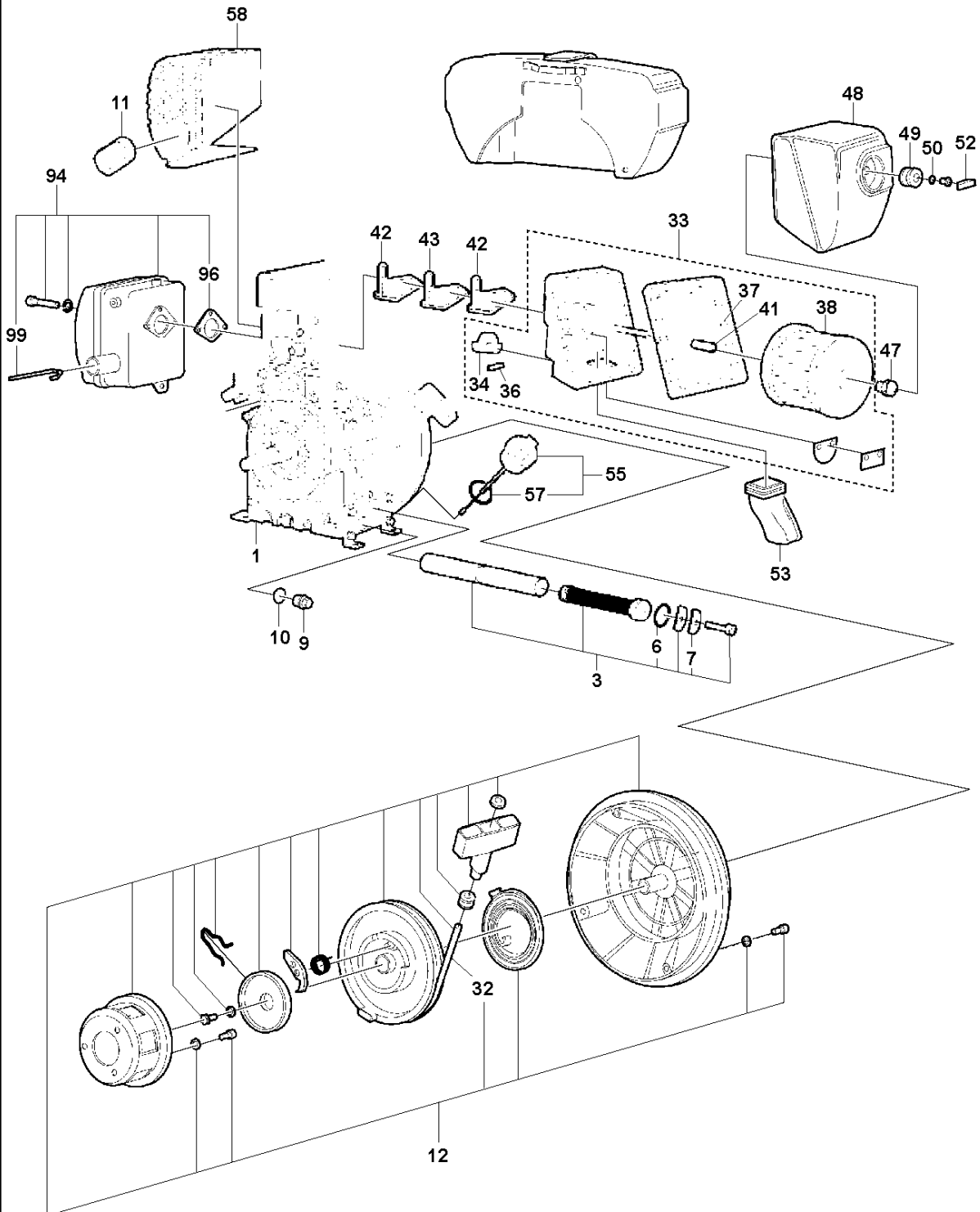
ENGINE - HATZ - ELECTRIC START - EPA

LG 300, 967855303, 967855306, 967855304,

967855307, 967855305, 967855301, 967855302, 2019-06

Ref	Part No	Description	Remark	QTY	KIT
1	595 36 55-01	ENGINE	Hatz 1B30, Electric start, EPA version	1	
3	594 57 01-01	STRAINER	Complete	1	
6	595 38 06-01	O-RING		1	3
7	595 38 07-01	LOCKWASHER		2	3
9	594 57 02-01	PLUG		1	
10	594 51 30-01	GASKET		1	
11	594 57 04-01	EXHAUST PIPE		1	
12	594 56 84-01	STARTER	Complete	1	
32	594 56 90-01	ROPE		1	12
33	595 38 22-01	AIR FILTER		1	
34	594 57 21-01	NIPPLE		1	33
36	595 38 08-01	SEALING		1	33
37	594 60 43-01	TRIM		1	33
38	595 37 73-01	FILTER		1	33
41	594 20 26-01	SLEEVE		1	33
42	594 57 20-01	GASKET		2	
43	595 47 02-01	GASKET		1	
47	594 57 12-01	NUT		1	
48	594 57 31-01	PROTECTIVE COVER		1	
49	594 57 14-01	SLEEVE		1	
50	595 38 09-01	SHIM		1	
52	594 57 15-01	NUT		1	
53	594 57 17-01	TUBE		1	
55	594 57 80-01	OIL		1	
57	594 60 55-01	O-RING		1	55
58	594 59 20-01	PROTECTIVE COVER		1	
94	594 59 53-01	MUFFLER		1	
96	594 57 33-01	GASKET		1	94
99	595 38 10-01	HOOK		1	94
100	594 58 52-01	STARTER		1	

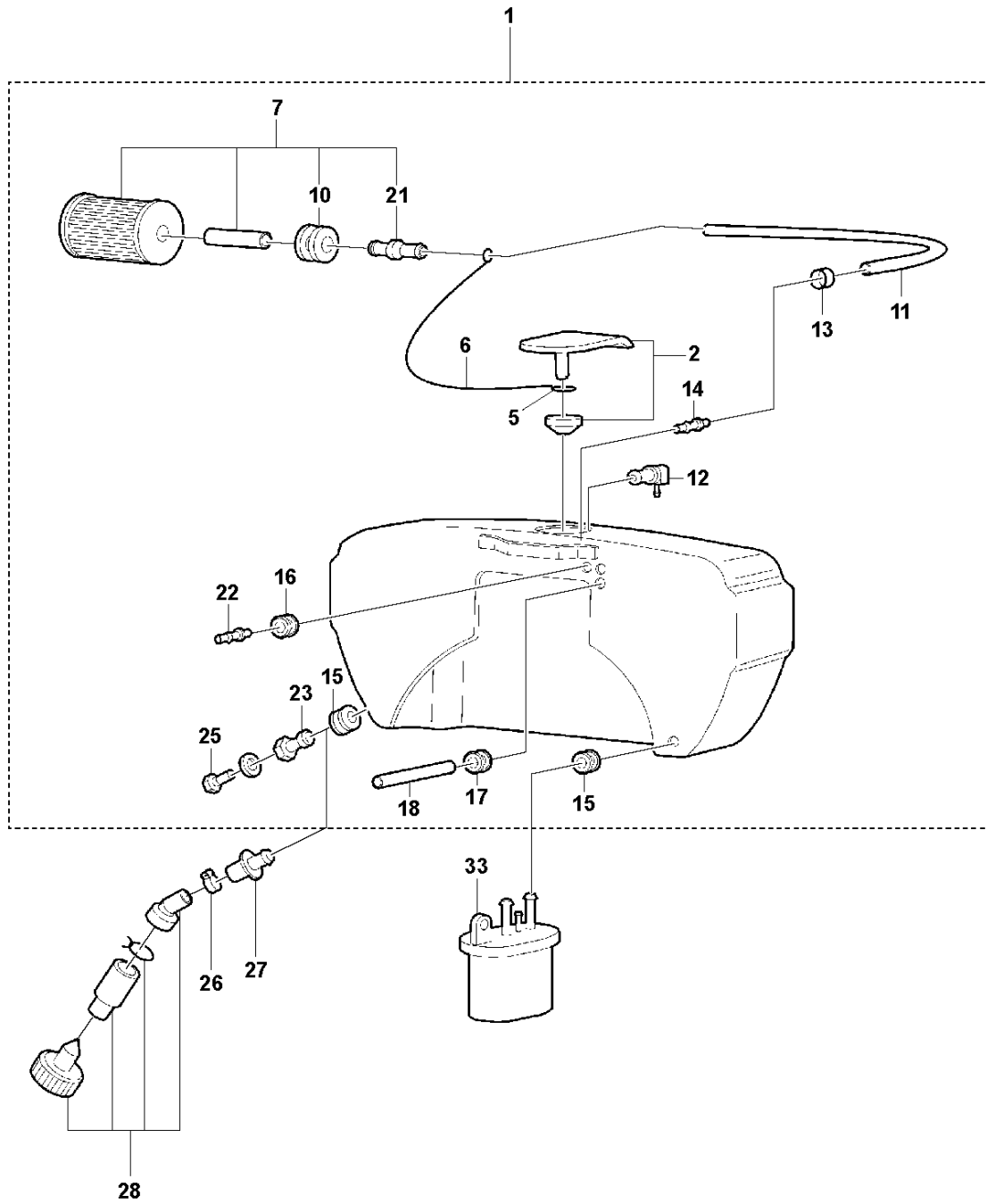
J LG 300
ENGINE - HATZ 1B30 - MANUAL START



ENGINE - HATZ - MANUAL START LG 300, 967855303, 967855306, 967855304, 967855307,
 967855305, 967855301, 967855302, 2019-06

Ref	Part No	Description	Remark	QTY	KIT
1	595 17 14-01	ENGINE	Hatz 1B30, Manual start	1	
3	594 57 01-01	STRAINER	Complete	1	
6	595 38 06-01	O-RING		1	3
7	595 38 07-01	LOCKWASHER		2	3
9	594 57 02-01	PLUG		1	
10	594 51 30-01	GASKET		1	
11	594 57 04-01	EXHAUST PIPE		1	
12	594 56 84-01	STARTER	Complete	1	
32	594 56 90-01	ROPE		1	
33	595 38 22-01	AIR FILTER		1	
34	594 57 21-01	NIPPLE		1	33
36	595 38 08-01	SEALING		1	33
37	594 60 43-01	TRIM		1	33
38	595 37 73-01	FILTER		1	33
41	594 20 26-01	SLEEVE		1	33
42	594 57 20-01	GASKET		2	
43	595 47 02-01	GASKET		1	
47	594 57 12-01	NUT		1	
48	594 57 31-01	PROTECTIVE COVER		1	
49	594 57 14-01	SLEEVE		1	
50	595 38 09-01	SHIM		1	
52	594 57 15-01	NUT		1	
53	594 57 17-01	TUBE		1	
55	594 57 80-01	OIL		1	
57	594 60 55-01	O-RING		1	55
58	594 59 20-01	PROTECTIVE COVER		1	
94	594 59 53-01	MUFFLER		1	
96	594 57 33-01	GASKET		1	94
99	595 38 10-01	HOOK		1	94

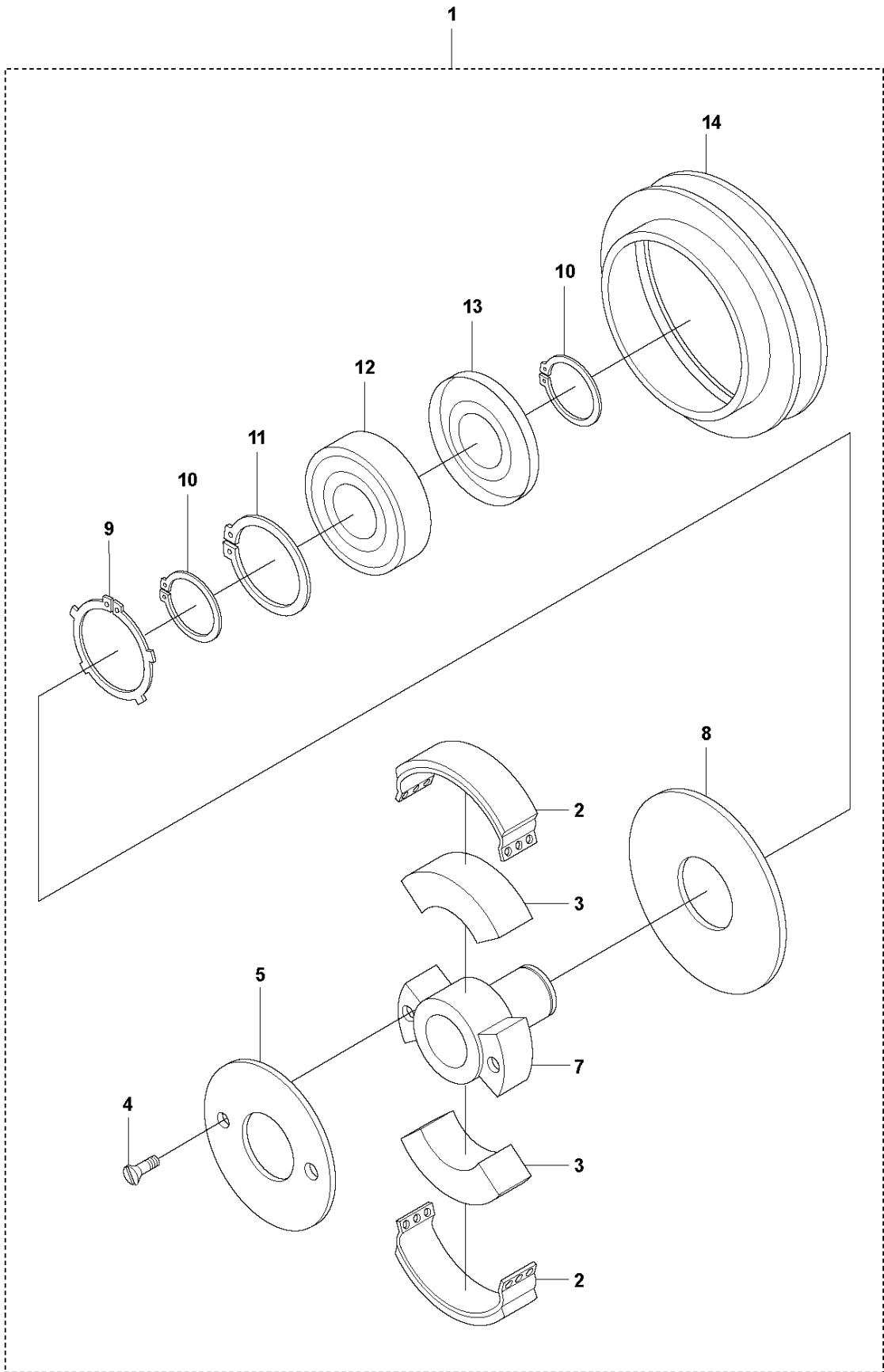
K LG 300
FUEL TANK - HATZ 1B30



FUEL TANK - HATZ LG 300, 967855303, 967855306, 967855304, 967855307, 967855305,
967855301, 967855302, 2019-06

Ref	Part No	Description	Remark	QTY	KIT
1	594 58 48-01	FUEL TANK	Complete	1	1
2	594 56 61-01	FUEL CAP	Complete	1	1
5	595 38 12-01	CIRCLIP		1	1
6	594 20 35-01	WIRE		1	1
7	595 37 74-01	FUEL FILTER		1	1
10	594 56 70-01	GASKET		1	1, 7
11	595 38 26-01	FUEL HOSE		1	1
12	594 56 63-01	VALVE		1	1
13	594 56 76-01	HOSE CLAMP		1	1
14	594 56 64-01	ADAPTER		1	1
15	594 56 65-01	GASKET		2	1
16	595 19 16-01	SEALING		1	1
17	594 56 70-01	GASKET		1	1
18	594 56 71-01	PIPE		1	1
21	594 60 52-01	NIPPLE		1	1, 7
22	595 19 27-01	NIPPLE		1	1
23	595 13 17-01	NIPPLE		1	1
25	594 20 33-01	SCREW		1	1
26	594 20 32-01	NIPPLE		1	
27	594 20 31-01	CLAMP		1	
28	594 58 32-01	WATER SEPARATOR	Complete	1	
33	594 58 32-01	WATER SEPARATOR	Complete	1	

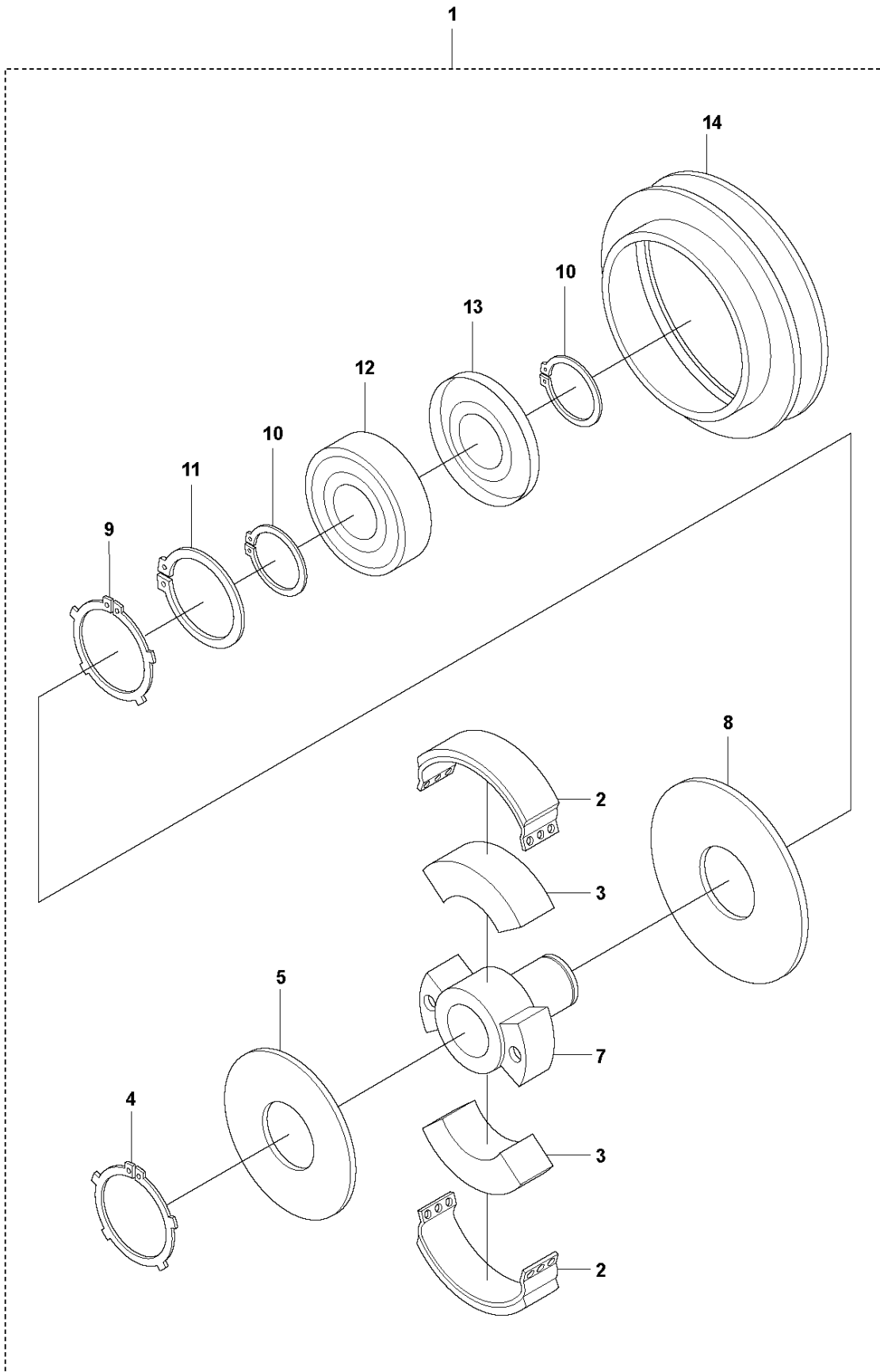
L LG 300
CENTRIFUGAL CLUTCH - HONDA



CENTRIFUGAL CLUTCH - HONDA LG 300, 967855303, 967855306, 967855304, 967855307,
 967855305, 967855301, 967855302, 2019-06

Ref	Part No	Description	Remark	QTY KIT	
1	594 43 07-01	CLUTCH	complete	1	
2	594 60 53-01	CLUTCH	Clutch lining	2	1
3	594 30 14-01	WEIGHT	Clutch weight	2	1
4	595 05 93-01	SCREW		2	1
5	594 14 76-01	CLUTCH COVER		1	1
7	594 60 51-01	HUB		1	1
8	594 31 31-01	COVER		1	1
9	594 30 88-01	RING		1	1
10	594 58 45-01	RING		2	1
11	594 58 44-01	RING		1	1
12	594 58 43-01	BALL BEARING		1	1
13	594 26 37-01	RING		1	1
14	594 60 50-01	V-BELT		1	1

M LG 300
CENTRIFUGAL CLUTCH - HONDA



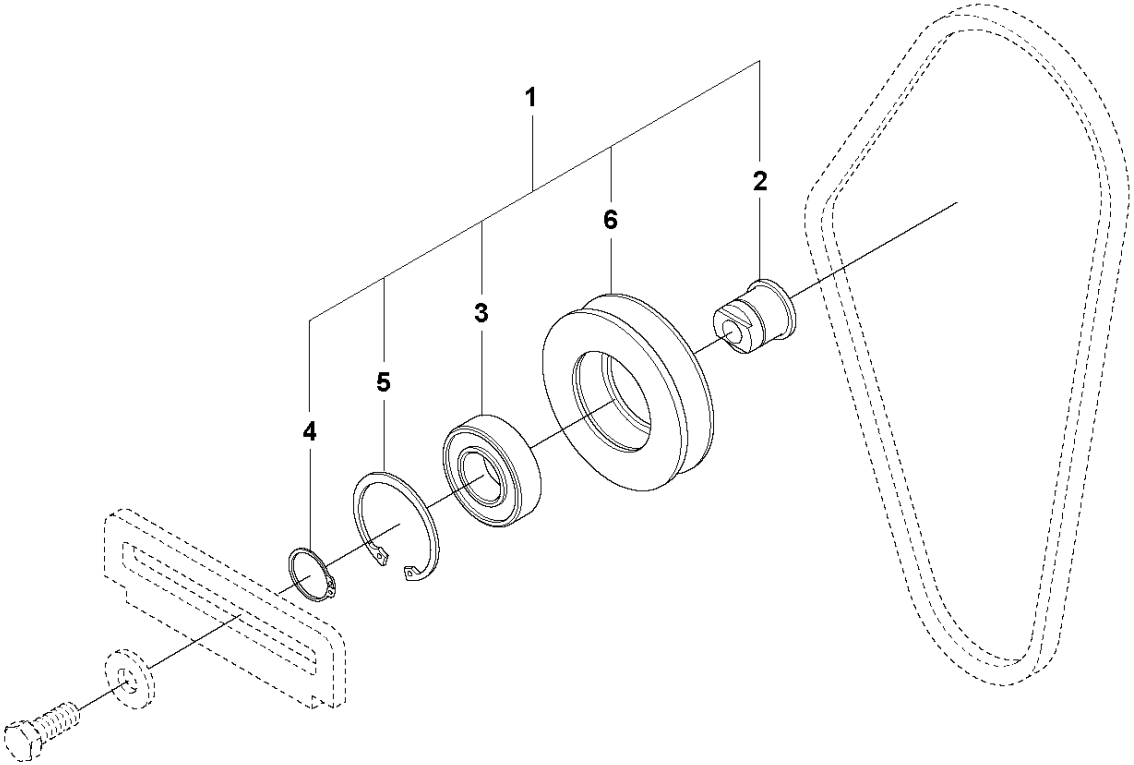
CENTRIFUGAL CLUTCH - HATZ

LG 300, 967855303, 967855306, 967855304, 967855307,

967855305, 967855301, 967855302, 2019-06

Ref	Part No	Description	Remark	QTY	KIT
1	594 43 10-01	CENTRIFUGAL CLUTCH	Complete	1	1
2	595 19 28-01	CLUTCH	Clutch lining	2	1
3	594 30 14-01	WEIGHT	Clutch weight	2	1
4	594 31 19-01	RING		1	1
5	594 31 23-01	COVER		1	1
7	594 57 23-01	HUB		1	1
8	594 31 31-01	COVER		1	1
9	594 30 88-01	RING		1	1
10	594 58 45-01	RING		2	1
11	594 58 44-01	RING		1	1
12	594 58 43-01	BALL BEARING		1	1
13	594 26 37-01	RING		1	1
14	594 57 22-01	NUT		1	1

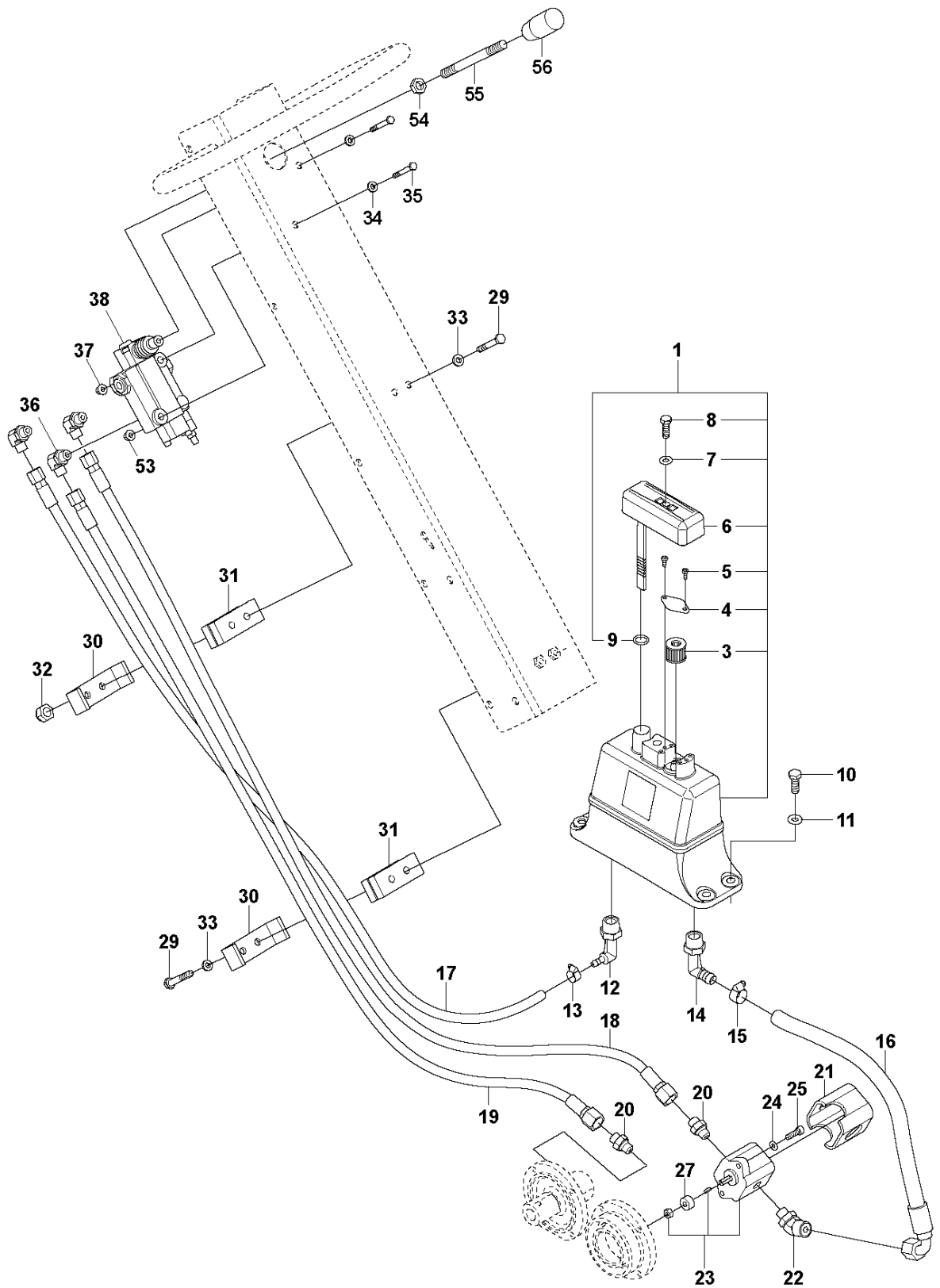
N LG 300
BELT TIGHTENER



BELT TIGHTENER LG 300, 967855303, 967855306, 967855304, 967855307, 967855305,
967855301, 967855302, 2019-06

Ref	Part No	Description	Remark	QTY	KIT
1	594 32 79-01	BELT		1	
2	594 32 81-01	SHAFT		1	1
3	595 04 50-01	BEARING		1	1
4	595 04 12-01	O-RING		1	1
5	594 12 50-01	CIRCLIP		1	1
6	594 32 80-01	BELT		1	1

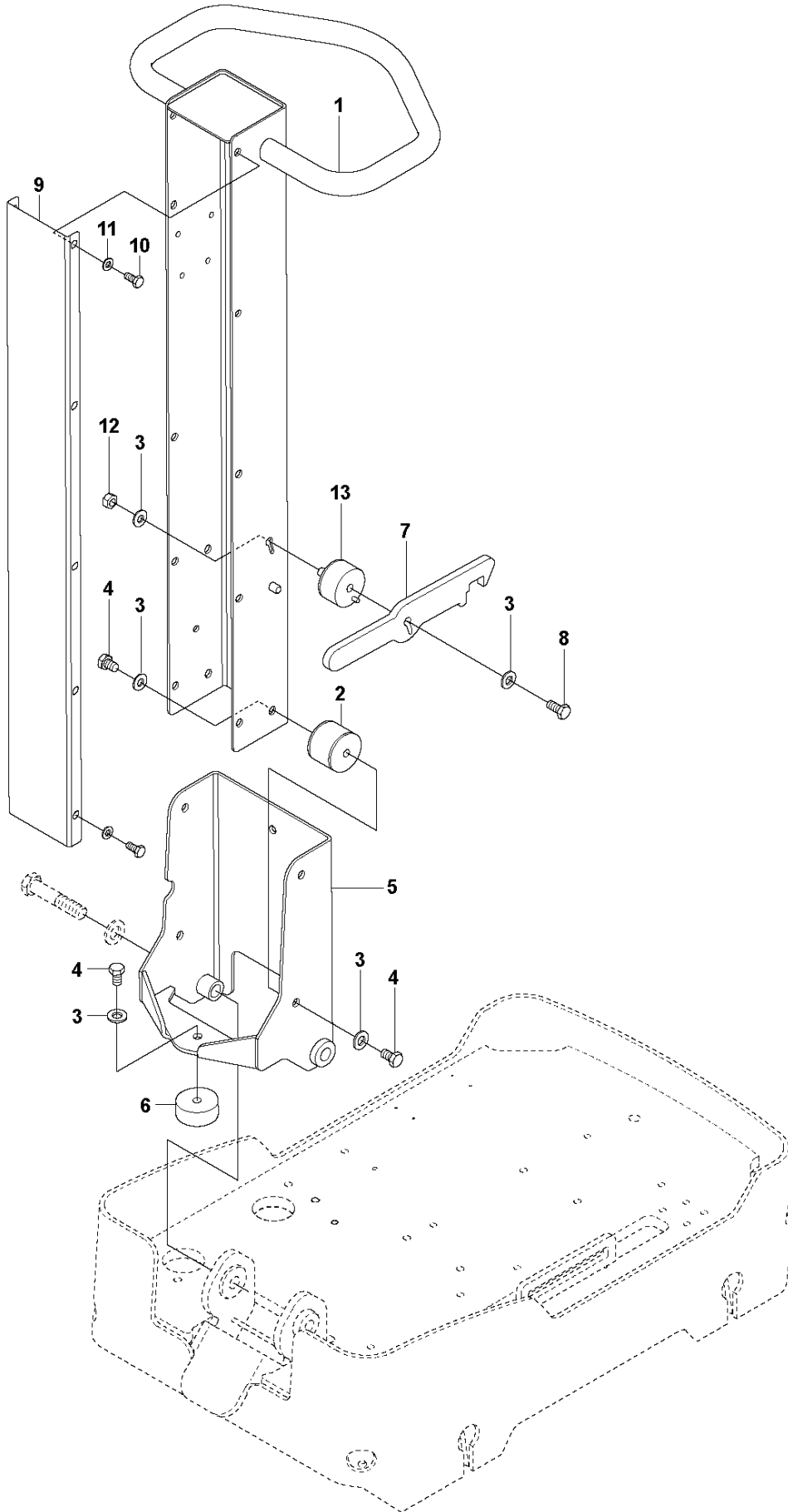
P LG 300
HYDRAULIC SYSTEM



HYDRAULIC SYSTEM LG 300, 967855303, 967855306, 967855304, 967855307, 967855305,
967855301, 967855302, 2019-06

Ref	Part No	Description	Remark	QTY KIT	
1	594 42 62-01	HYDRAULIC TANK	Complete	1	
3	594 44 55-01	AIR FILTER		1	1
4	594 44 54-01	FILTER HOLDER		1	1
5	594 83 88-01	SCREW	K50 x 12 mm Type KX-PT	2	1
6	594 44 31-01	COVER	With dipstick	1	1
7	594 12 34-01	WASHER	8,4x22x3	1	1
8	595 03 34-01	SCREW	M8x25 mm 8.8 A2K	1	1
9	595 04 73-01	O-RING		1	1
10	594 11 85-01	BOLT	M10 x 30 mm 8.8 A3K	4	
11	594 74 74-01	WASHER	10.5 x 22 x 2 mm, 0.41 x 0.87 x 0.08 in. 300 HV	4	
12	594 42 60-01	ADAPTER		1	
13	595 16 07-01	HOSE CLAMP		1	
14	594 42 61-01	ADAPTER		1	
15	595 45 47-01	CLAMP		1	
16	594 43 62-01	HYDRAULIC HOSE		1	
17	594 43 80-01	HYDRAULIC HOSE		1	
18	595 05 35-01	HOSE		1	
19	594 49 76-01	HYDRAULIC HOSE		1	
20	595 06 30-01	CONNECTOR		2	
21	594 32 43-01	PROTECTIVE COVER		1	
22	594 52 37-01	ELBOW		1	
23	594 45 53-01	PUMP		1	
24	595 03 65-01	WASHER	6.4 x 12 x 1.5 mm, 0.25 x 0.47 x 0.06 in. 300 HV	1	
25	595 03 43-01	SCREW	M6 x 20 mm 8.8 A2K	2	
27	594 54 89-01	GEAR		1	
29	595 05 42-01	SCREW		4	
30	594 14 74-01	BRACKET		2	
31	594 32 40-01	BLOCK		2	
32	595 18 14-01	NUT	M8	2	
33	595 35 23-01	NUT	8.4 x 16 x 1.5 mm, 0.33 x 0.63 x 0.06 in. 300 HV	4	
34	595 03 65-01	WASHER	6.4 x 12 x 1.5 mm, 0.25 x 0.47 x 0.06 in. 300 HV	2	
35	595 05 58-01	SCREW	M6 x 55 mm 8.8 A2K	2	
36	594 51 86-01	ADAPTER		3	
37	595 03 60-01	LOCK NUT	M6 x 1 mm A2K	1	
38	594 34 76-01	VALVE	Complete	1	
53	595 11 26-01	NUT		1	
54	595 03 57-01	NUT		1	
55	594 47 84-01	ROD		1	
56	594 53 28-01	HANDLE		1	

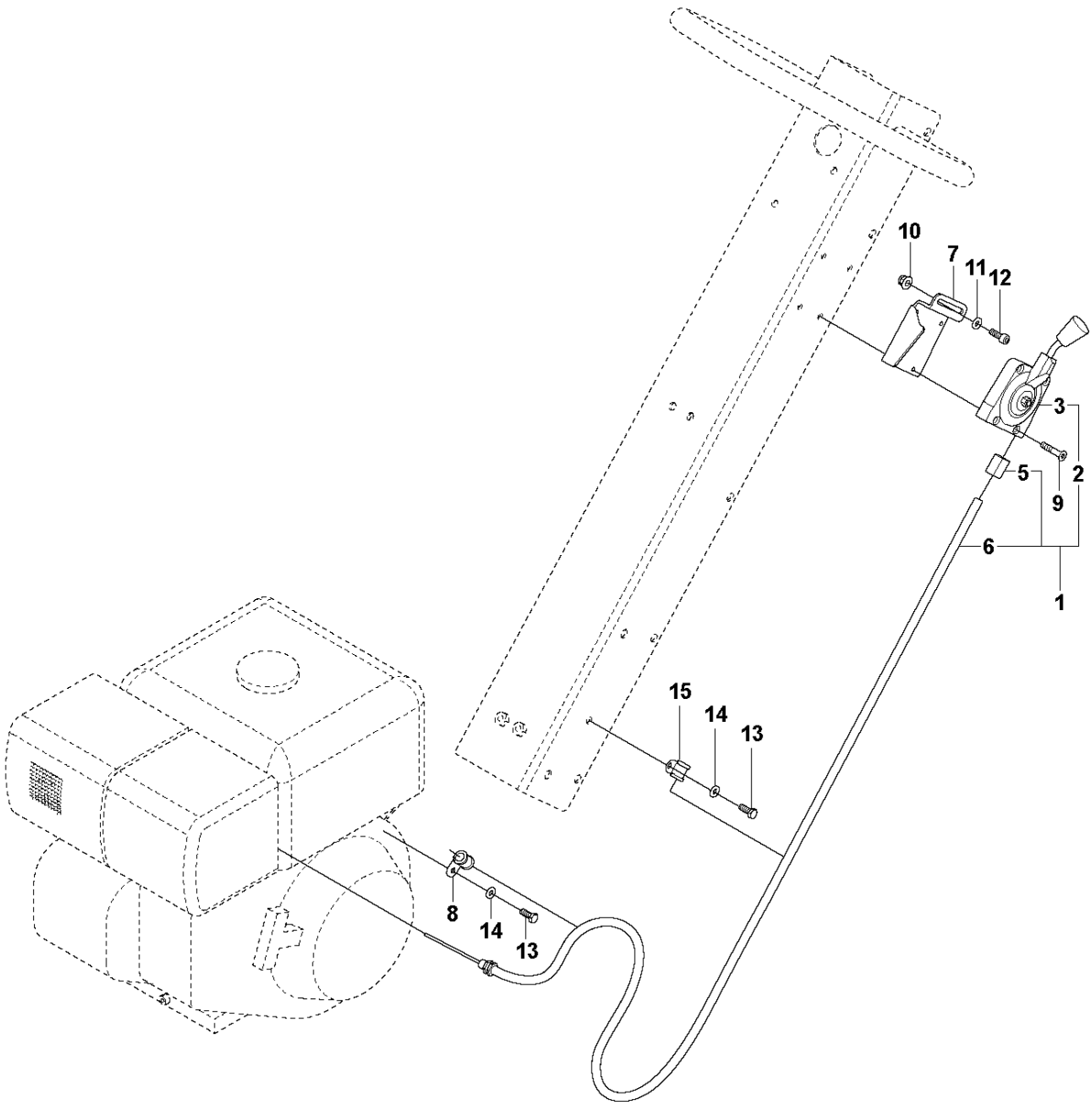
Q LG 300
HANDLE



HANDLE LG 300, 967855303, 967855306, 967855304, 967855307, 967855305, 967855301, 967855302, 2019-06

Ref	Part No	Description	Remark	QTY KIT
1	594 14 67-01	HANDLE		1
2	594 14 75-01	ABSORBER		4
3	594 74 74-01	WASHER	10.5 x 22 x 2 mm, 0.41 x 0.87 x 0.08 in. 300 HV	11
4	595 34 46-01	SCREW	M10 x 16 mm 8.8 A3K	9
5	594 14 68-01	BRACKET		1
6	594 51 83-01	RADIATOR		1
7	594 43 41-01	HOOK		1
8	594 11 84-01	SCREW	M10 x 20 mm 8.8 A3K	1
9	594 14 79-01	COVER		1
10	595 11 01-01	SCREW	M8 x 16 mm 8.8 A2K	10
11	594 12 34-01	WASHER	8,4x22x3	10
12	595 02 94-01	NUT	M10 A3K	1
13	594 46 27-01	ABSORBER		1

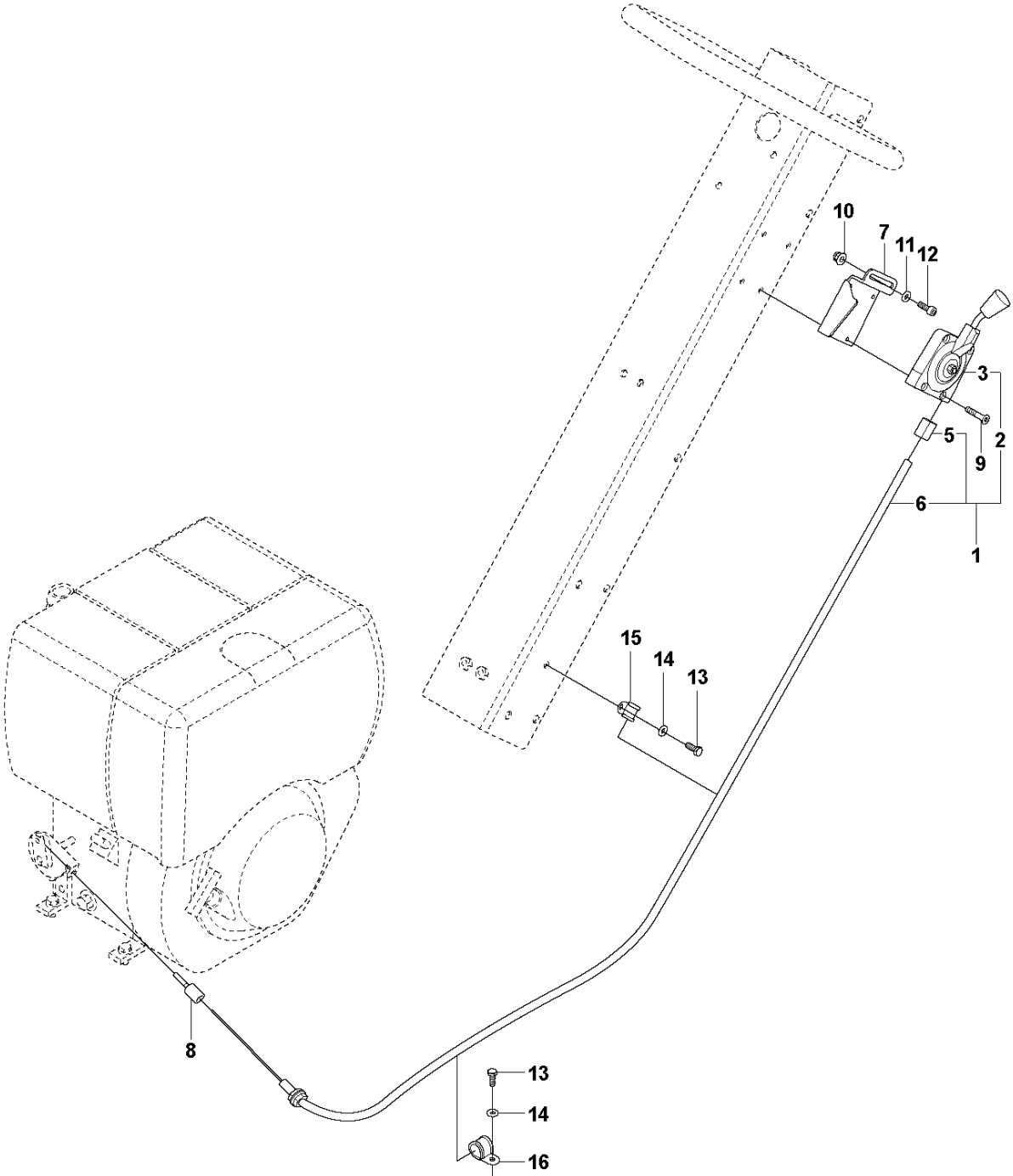
R LG 300
THROTTLE CONTROL - HONDA



THROTTLE CONTROL - HONDA LG 300, 967855303, 967855306, 967855304, 967855307,
967855305, 967855301, 967855302, 2019-06

Ref	Part No	Description	Remark	QTY	KIT
1	594 35 76-01	THROTTLE CONTROL	Complete	1	
2	594 49 07-01	LEVER		1	1
3	595 06 81-01	KNOB		1	1
5	594 29 71-01	CABLE		1	1
6	594 35 72-01	CABLE		1	1
7	594 35 48-01	BRACKET		1	
8	596 89 13-02	PIPE CLAMP		1	
9	594 74 71-01	SCREW	M5 x 30 mm A2-70	4	
10	595 11 26-01	NUT	M6 x 1 mm A2K	1	
11	594 48 57-01	SPACER		1	
12	595 03 42-01	SCREW	M6 x 20 mm 8.8 A2K	1	
13	595 03 32-01	SCREW	M6 x 16 mm 8.8 A2K	1	
14	595 03 65-01	WASHER	r6,4x12x1,5	1	
15	595 46 84-01	CLAMP		1	

S LG 300
THROTTLE CONTROL - HATZ - NON EPA



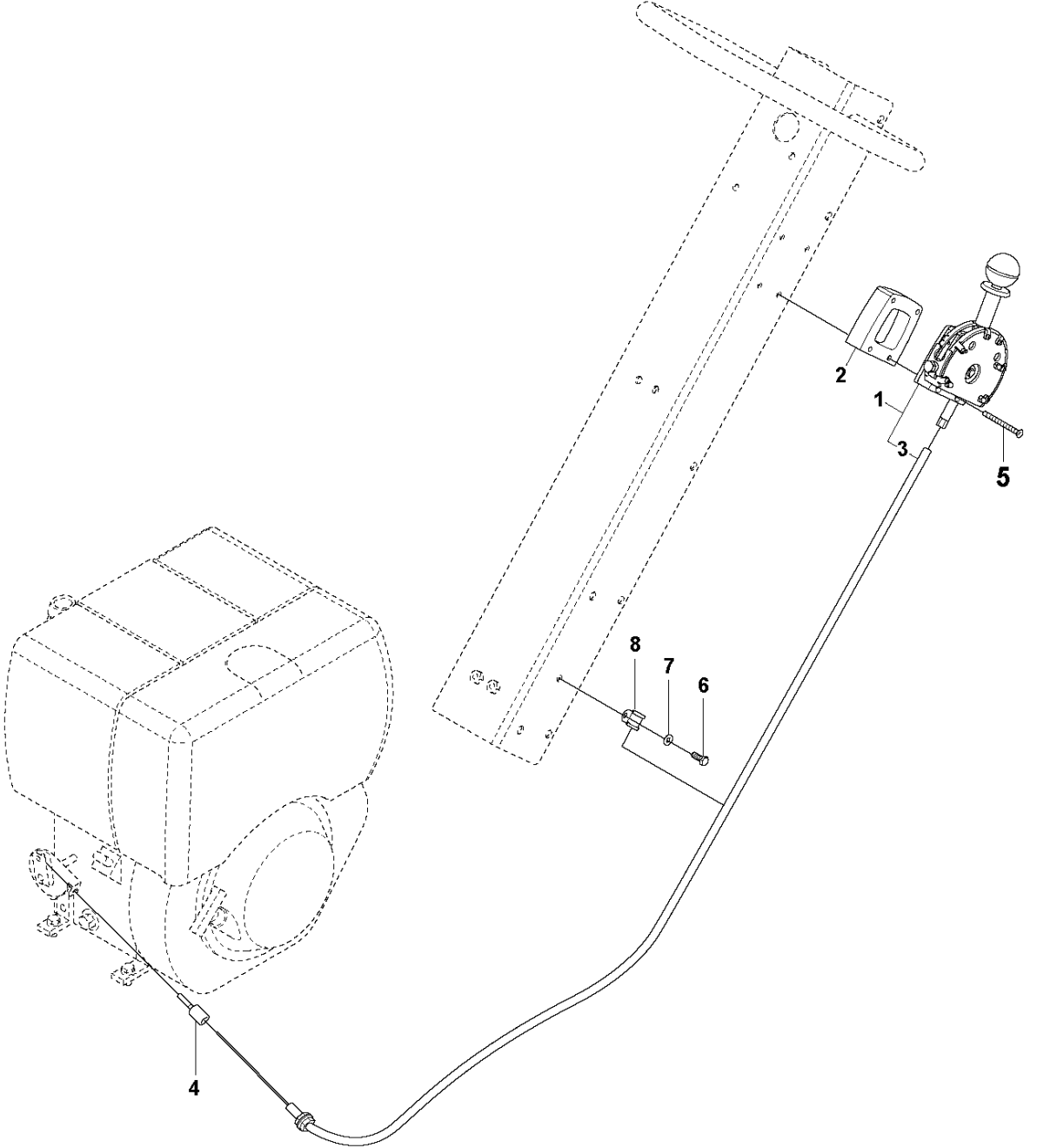
THROTTLE CONTROL - HATZ

LG 300, 967855303, 967855306, 967855304, 967855307,

967855305, 967855301, 967855302, 2019-06

Ref	Part No	Description	Remark	QTY KIT	
1	594 43 64-01	THROTTLE CONTROL	Complete	1	
2	594 49 07-01	LEVER		1	1
3	595 06 81-01	KNOB		1	1
5	594 29 71-01	CABLE		1	1
6	594 43 63-01	CABLE		1	1
7	594 35 48-01	BRACKET		1	
8	594 35 21-01	NIPPLE		1	
9	594 74 71-01	SCREW	M5 x 30 mm A2-70	4	
10	595 11 26-01	NUT	M6 x 1 mm A2K	1	
11	594 48 57-01	SPACER		1	
12	595 03 42-01	SCREW	M6 x 20 mm 8.8 A2K	1	
13	595 03 32-01	SCREW	M6 x 16 mm 8.8 A2K	2	
14	595 03 65-01	WASHER	6.4 x 12 x 1.5 mm, 0.25 x 0.47 x 0.06 in. 300 HV	2	
15	595 46 84-01	CLAMP		1	
16	595 18 83-01	CLAMP		1	

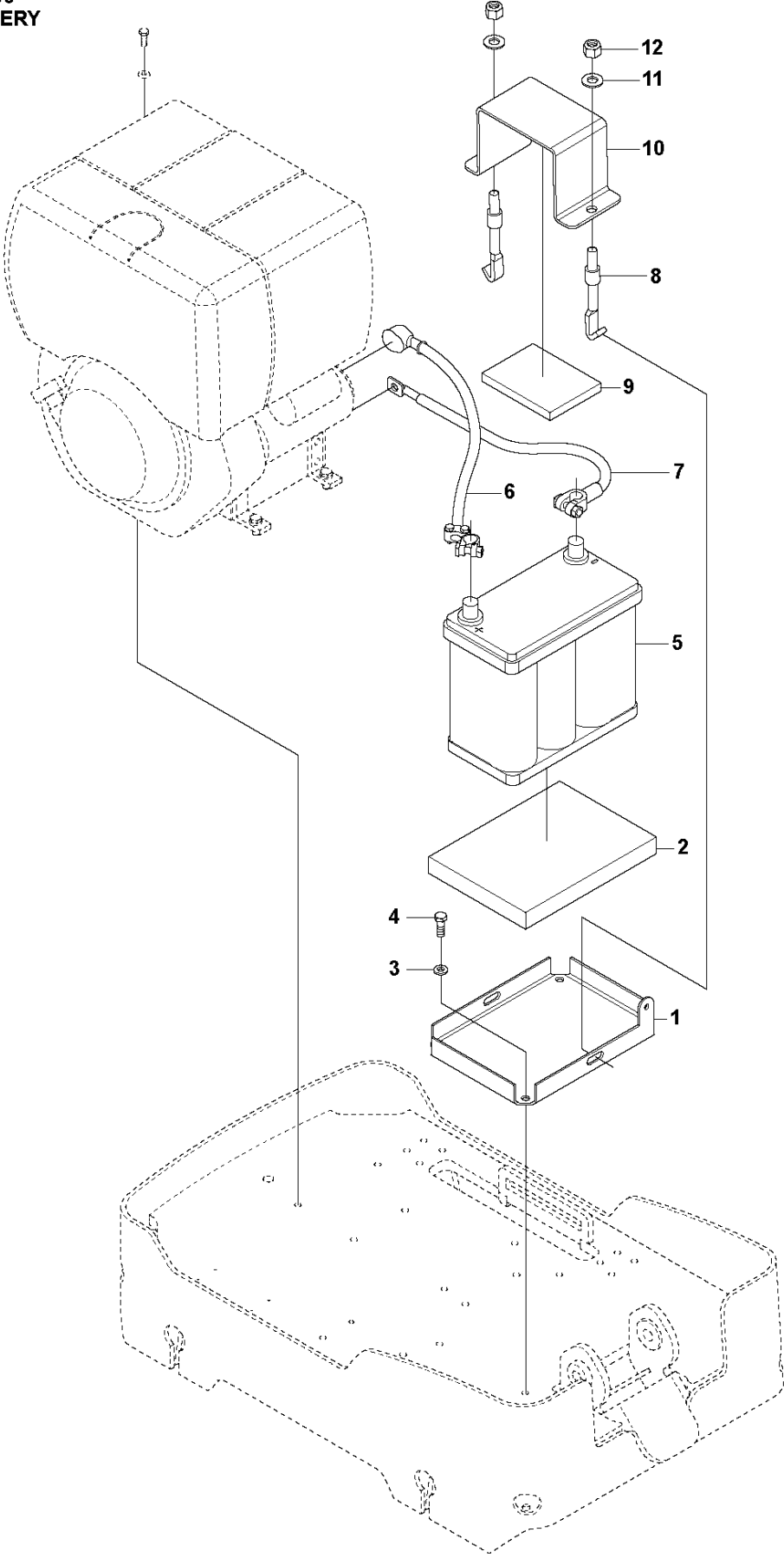
T LG 300
THROTTLE CONTROL - HATZ - EPA



THROTTLE CONTROL - HATZ - EPA LG 300, 967855303, 967855306, 967855304, 967855307,
 967855305, 967855301, 967855302, 2019-06

Ref	Part No	Description	Remark	QTY	KIT
1	594 17 59-01	THROTTLE CONTROL	Complete	1	
2	595 37 59-01	SPACER		1	
3	595 13 22-01	THROTTLE CABLE		1	1
4	594 35 21-01	NIPPLE		1	
5	595 35 00-01	SCREW	Hex screw M5x55	4	
6	595 03 32-01	SCREW	M6 x 16 mm 8.8 A2K	1	
7	595 03 65-01	WASHER		1	
8	595 46 84-01	CLAMP		1	

U LG 300
BATTERY

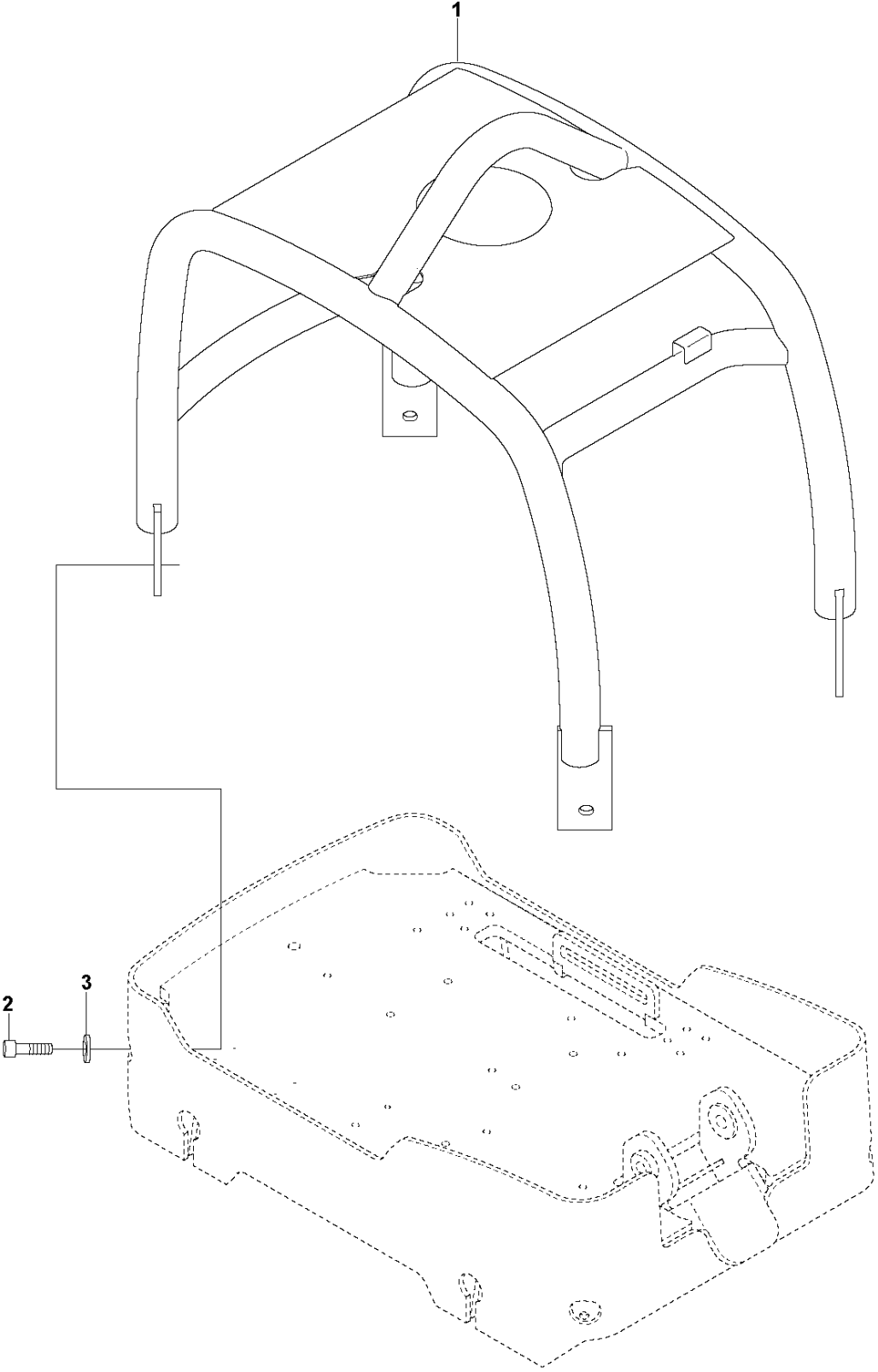


BATTERY LG 300, 967855303, 967855306, 967855304, 967855307, 967855305, 967855301, 967855302, 2019-06

Ref	Part No	Description	Remark	QTY KIT
1	595 17 22-01	PLATE		1
2	595 17 19-01	ABSORBER		1
3	595 03 66-01	WASHER	8.4 x16 x1.5 mm, 0.33 x 0.63 x 0.06 in. 300 HV	4
4	594 11 79-01	SCREW	M8 x 25 mm 8.8 A2K	4
5	594 43 35-01	BATTERY		1
6	595 18 43-01	CABLE	Cable +	1
7	595 18 40-01	CABLE	Cable -	1
8	594 48 41-01	SCREW		2
9	594 43 49-01	INSULATION		1
10	594 48 40-01	HOLDER		1
11	595 06 68-01	WASHER	13 x 24 x 2 mm, 0.51 x 0.98 x 0.08 in. 300 HV	2
12	595 11 27-01	NUT	M12X20H 8.8 A3K	2

FRAME - HONDA LG 300, 967855303, 967855306, 967855304, 967855307, 967855305, 967855301, 967855302, 2019-06

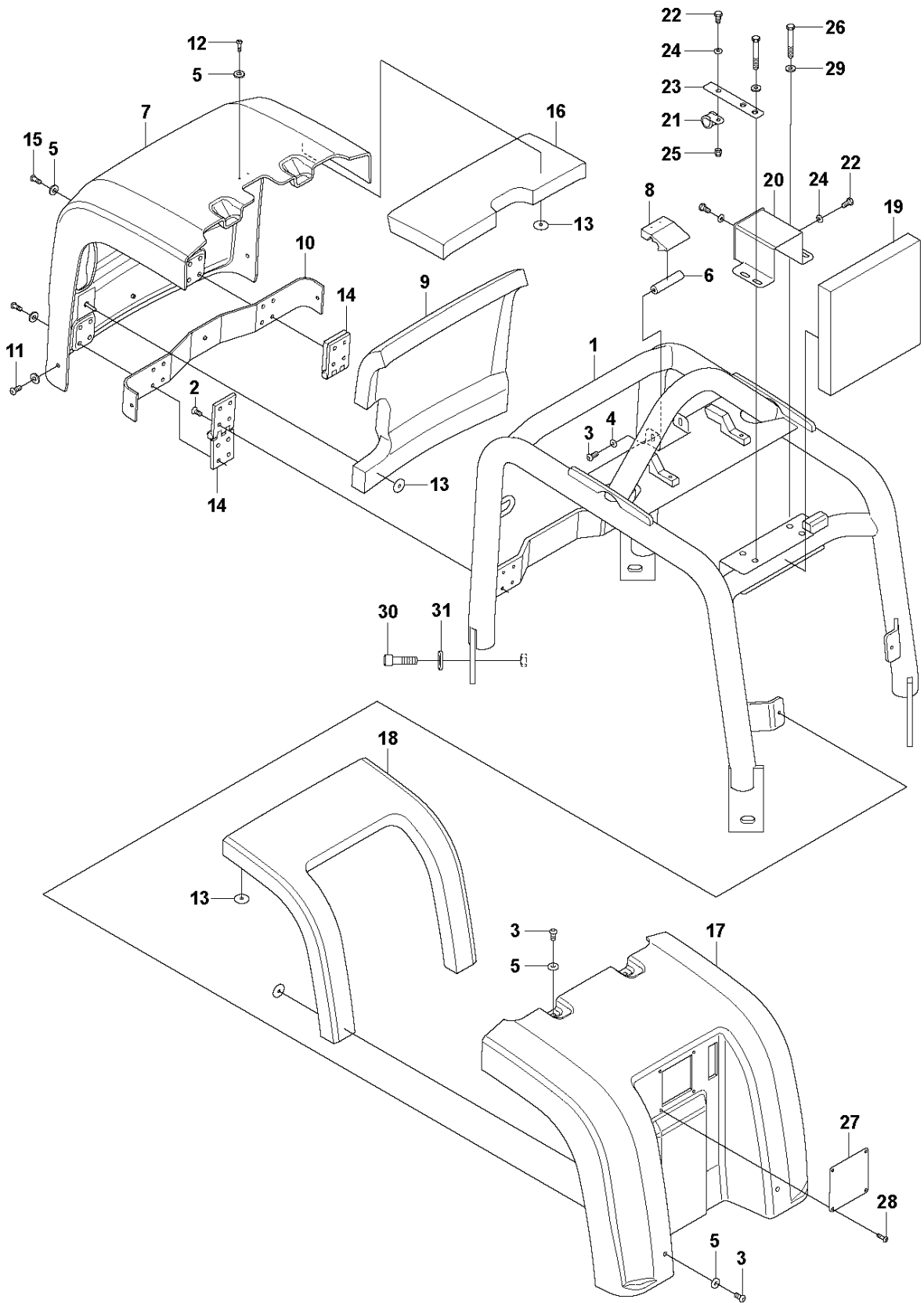
V LG 300
FRAME - HONDA



FRAME - HONDA LG 300, 967855303, 967855306, 967855304, 967855307, 967855305, 967855301, 967855302, 2019-06

Ref	Part No	Description	Remark	QTY KIT
1	595 27 62-01	FRAME		1
2	595 17 96-01	SCREW	M12x40 mm 8.8	4
3	595 06 65-01	WASHER	Steel	4

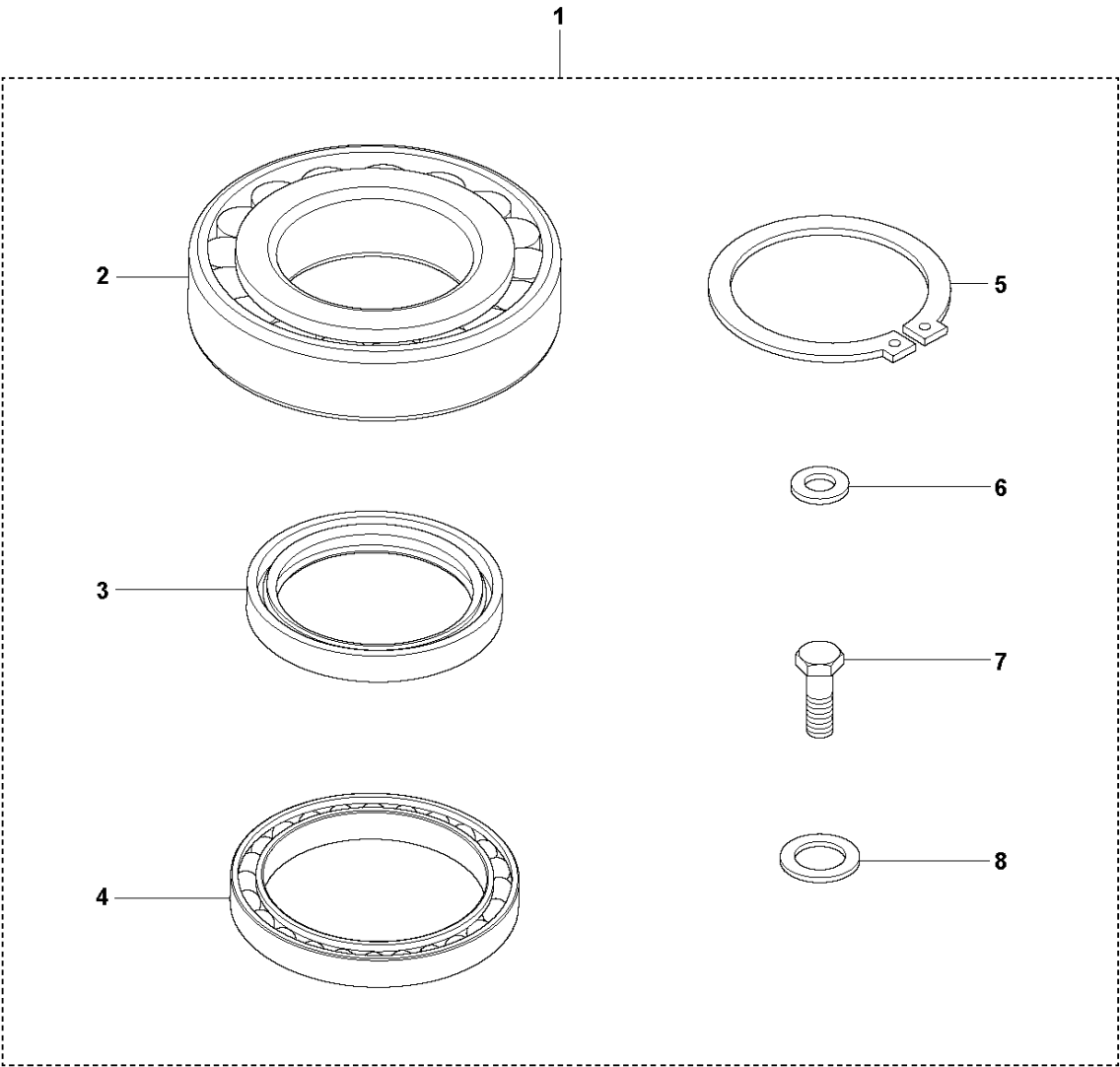
W LG 300
FRAME AND HOODS - HATZ



FRAME AND HOODS - HATZ LG 300, 967855303, 967855306, 967855304, 967855307, 967855305, 967855301, 967855302, 2019-06

Ref	Part No	Description	Remark	QTY KIT
1	594 14 66-01	FRAME		1
2	594 53 49-01	SCREW	M6 x 16	8
3	595 06 64-01	SCREW	M6 x 16	6
4	595 03 65-01	WASHER	6.4 x 12 x 1.5 mm, 0.25 x 0.47 x 0.06 in. 300 HV	1
5	594 53 51-01	WASHER	6 x 18 x 2 mm, 0.24 x 0.71 x 0.08 in. 300 HV	5
6	594 43 72-01	ROD		1
7	595 27 63-01	HOOD		1
8	594 43 38-01	CLIP		1
9	594 43 46-01	ABSORBER		1
10	594 43 68-01	HOLDER		1
11	595 99 58-01	SCREW	M6 x 10 mm A2-70	3
12	594 52 35-01	SCREW	K50 x 18 mm	2
13	595 06 28-01	WASHER	25 mm Type S3	14
14	594 44 68-01	HINGE		2
15	595 03 32-01	SCREW	M6 x 16 mm A2-70	8
16	594 47 86-01	ABSORBER		1
17	595 27 64-01	HOOD		1
18	594 43 47-01	ABSORBER		1
19	594 43 48-01	ABSORBER		1
20	595 17 18-01	HOLDER		1
21	595 18 83-01	CLAMP		2
22	595 10 98-01	SCREW	M6 x 16 mm 8.8 A2K	6
23	595 17 63-01	BRACKET		1
24	595 03 65-01	WASHER	6.4 x 12 x 1.5 mm, 0.25 x 0.47 x 0.06 in. 300 HV	4
25	595 11 26-01	NUT	M6 ISO7040	2
26	594 11 81-01	SCREW	M8 x 60 mm 8.8 A2K	4
27	595 12 03-01	COVER		1
28	594 52 35-01	SCREW	K50 x 18 mm	4
29	595 03 66-01	WASHER	8.4 x 16 x 1.5 mm, 0.33 x 0.63 x 0.06 in. 300 HV	4
30	594 12 09-01	BOLT	M12 x 40 mm 8.8 A3K	4
31	595 11 28-01	WASHER	13 x 30 x 4 mm, 0.51 x 1.18 x 0.16 in. 300 HV	4

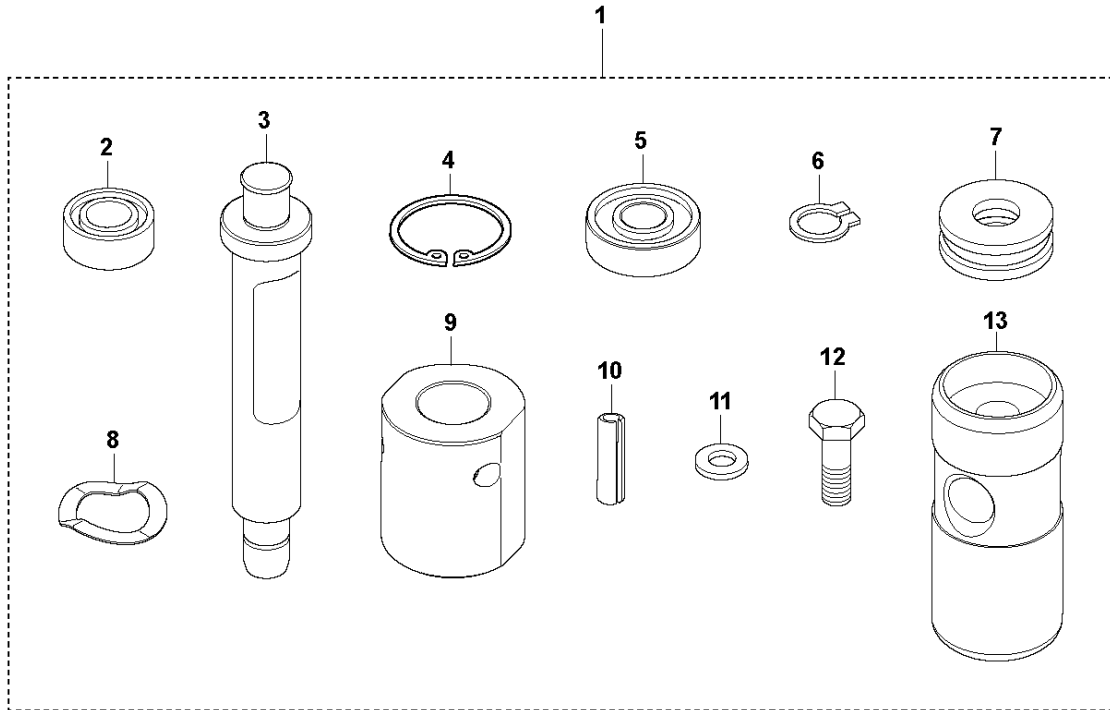
X LG 300
ECCENTRIC ELEMENT REPAIR KIT



ECCENTRIC ELEMENT REPAIR KIT LG 300, 967855303, 967855306, 967855304, 967855307,
 967855305, 967855301, 967855302, 2019-06

Ref	Part No	Description	Remark	QTY KIT
1	594 19 67-01	REPAIR KIT	Eccentric element repair kit	1
2	594 53 11-01	ROLLER BEARING		4
3	594 54 74-01	SEALING		1
4	594 55 05-01	BALL BEARING		2
5	595 11 41-01	CIRCLIP		4
6	595 03 65-01	WASHER	6.4 x 12 x 1.5 mm, 0.25 x 0.47 x 0.06 in. 300 HV	16
7	595 10 98-01	SCREW	M6 x 20 mm 8.8 A2K	16
8	594 51 21-01	WASHER	Copper washer, 16.7 x 24 x 1.5 mm, 0.66 x 0.94 x 0.06 in. TYPE A, M16	1

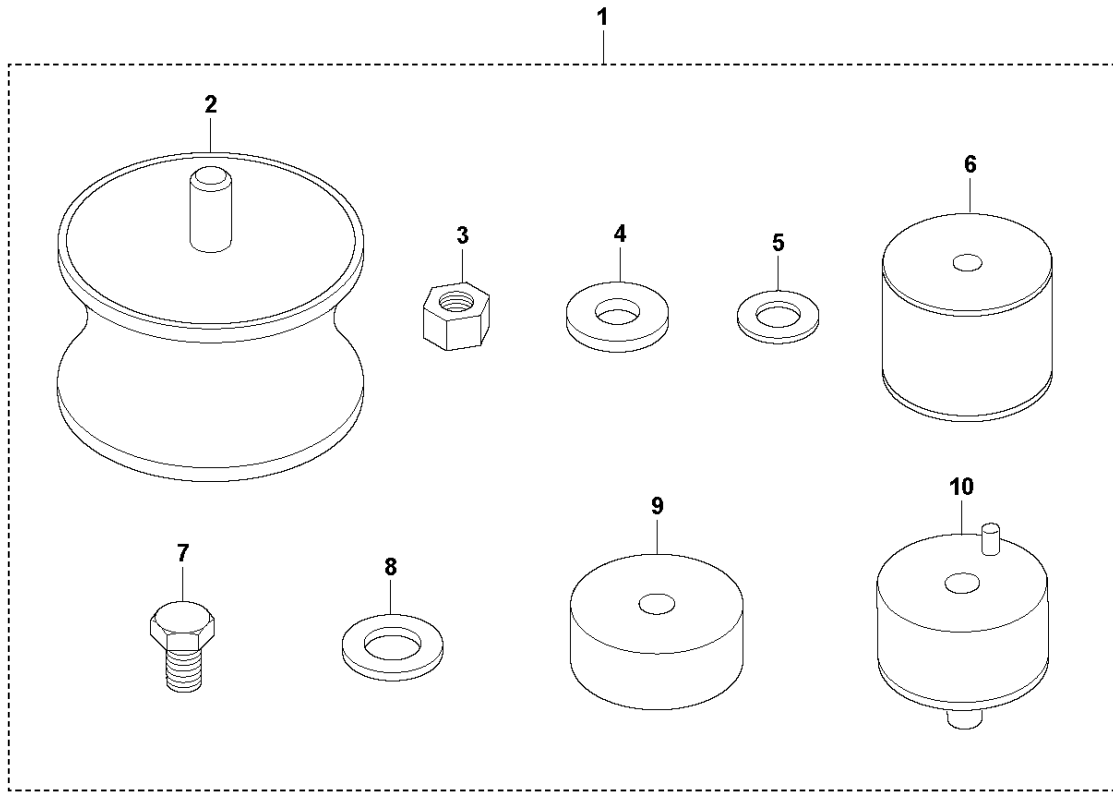
Y LG 300
FORWARD AND REVERSE PISTON REPAIR KIT



FORWARD & REVERSE PISTON REPAIR KIT LG 300, 967855303, 967855306, 967855304,
 967855307, 967855305, 967855301, 967855302, 2019-06

Ref	Part No	Description	Remark	QTY KIT	
1	594 19 65-01	REPAIR KIT	Forward and reverse piston repair kit	1	1
2	594 33 22-01	SEALING		1	1
3	594 64 33-01	PISTON ROD		1	1
4	594 26 64-01	RING	Retainer ring	1	1
5	594 64 75-01	BALL BEARING	Ball, radial	1	1
6	594 26 56-01	RING		1	1
7	594 64 76-01	BALL BEARING	Trust ball	1	1
8	594 64 77-01	SPRING WASHER	Spring	1	1
9	594 64 50-01	CAP		1	1
10	595 03 11-01	PIN		1	1
11	595 03 65-01	WASHER	6.4 x 12 x 1.5 mm 0.25 x 0.47 x 0.06 in. 300 HV	4	1
12	595 10 98-01	SCREW	M6 x 20 mm 8.8 A2K	4	1
13	594 64 35-01	PISTON		1	1

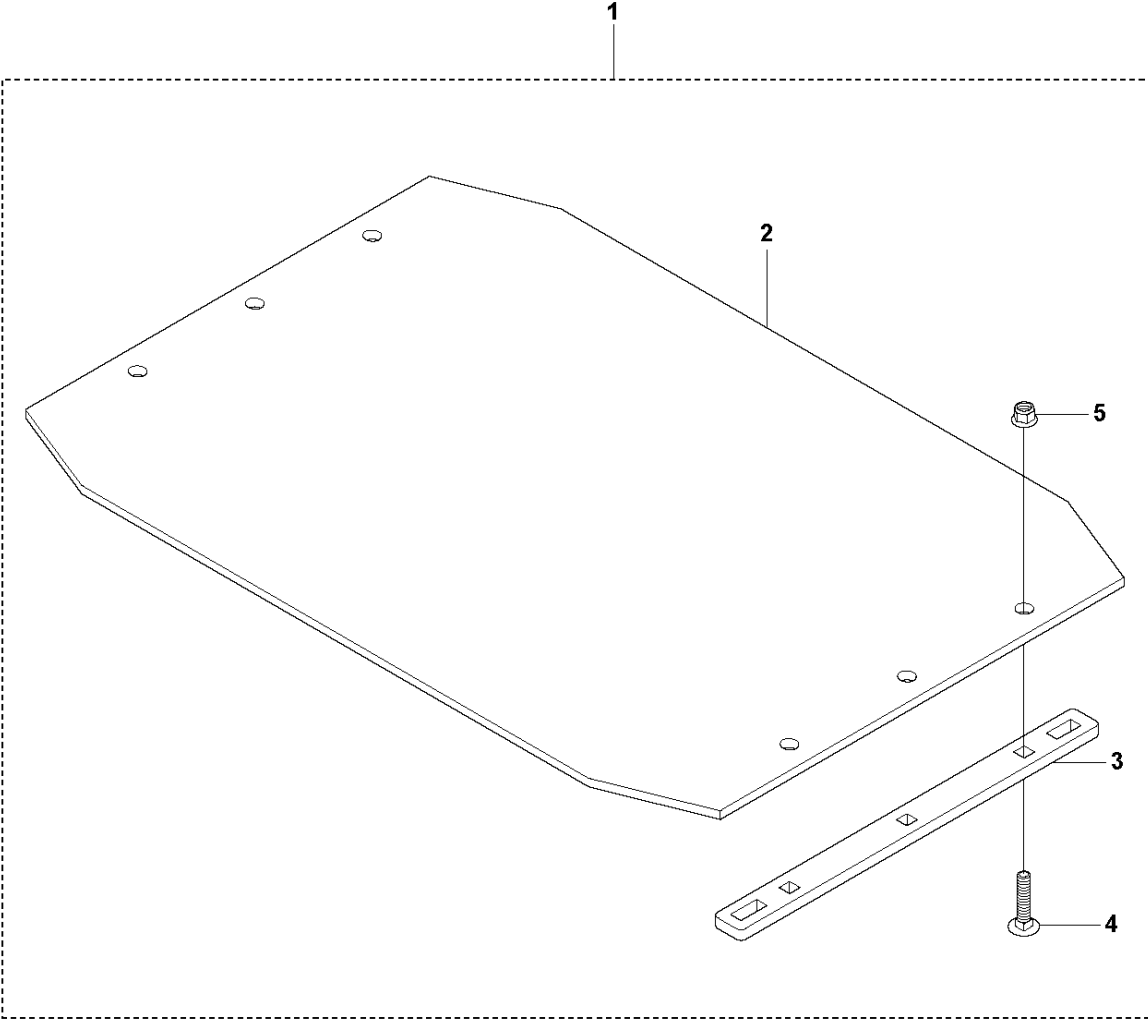
Z LG 300
SHOCK ABSORBER REPAIR KIT



SHOCK ABSORBER REPAIR KIT LG 300, 967855303, 967855306, 967855304, 967855307,
 967855305, 967855301, 967855302, 2019-06

Ref	Part No	Description	Remark	QTY KIT	
1	594 19 62-01	REPAIR KIT	Shock absorber repair kit	1	
2	594 32 70-01	ABSORBER		4	1
3	595 35 18-01	NUT	M12 A3K	8	1
4	595 11 28-01	WASHER	13 x 30 x 4 mm, 0.51 x 1.18 x 0.16 in. 300 HV	4	1
5	595 06 68-01	WASHER	13 x 24 x 2 mm, 0.51 x 0.94 x 0.08 in. 300 HV	4	1
6	594 14 75-01	ABSORBER		4	1
7	595 34 46-01	SCREW	M10 x 16 mm 8.8 A3K	4	1
8	594 74 74-01	WASHER	10.5 x 22 x 2 mm, 0.41 x 0.87 x 0.08 in. 300 HV	4	1
9	594 51 83-01	RADIATOR		1	1
10	594 46 27-01	ABSORBER		1	1

AA LG 300
BLOCK PAVING PLATE 500 MM (19.7")

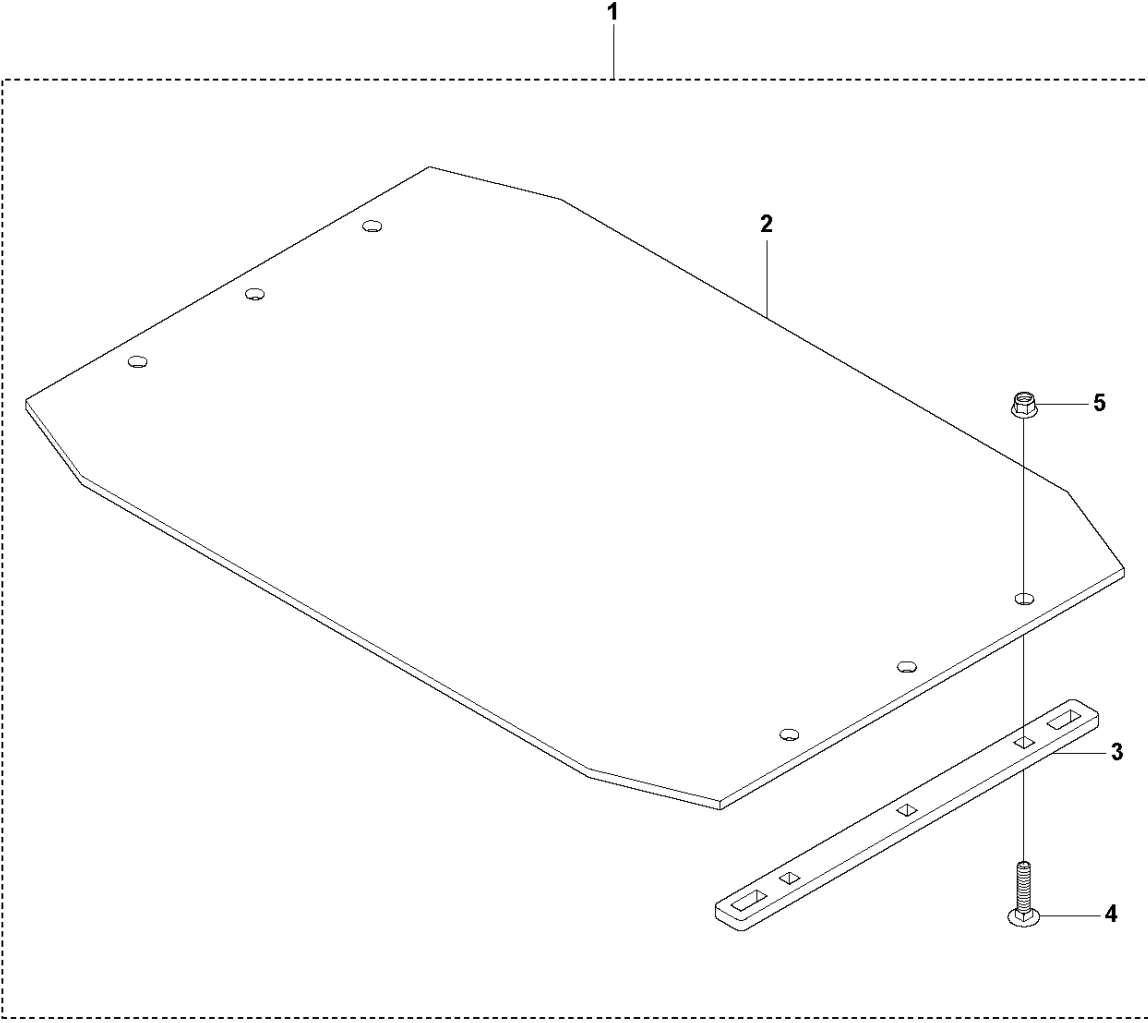


BLOCK PAVING PLATE KIT 500 MM (19.7")

LG 300, 967855303, 967855306, 967855304,
967855307, 967855305, 967855301, 967855302, 2019-06

Ref	Part No	Description	Remark	QTY KIT	
1	594 83 02-01	BLOCK	500 mm Block Paving kit (Optional)	1	
2	595 17 66-01	PLATE	Polyurethane plate	1	1
3	594 44 73-01	BRACKET		2	1
4	595 06 72-01	SCREW		4	1
5	595 06 47-01	LOCK NUT	M10 x 1.5 mm A3K	4	1

AB LG 300
BLOCK PAVING PLATE 600 MM (23.6")



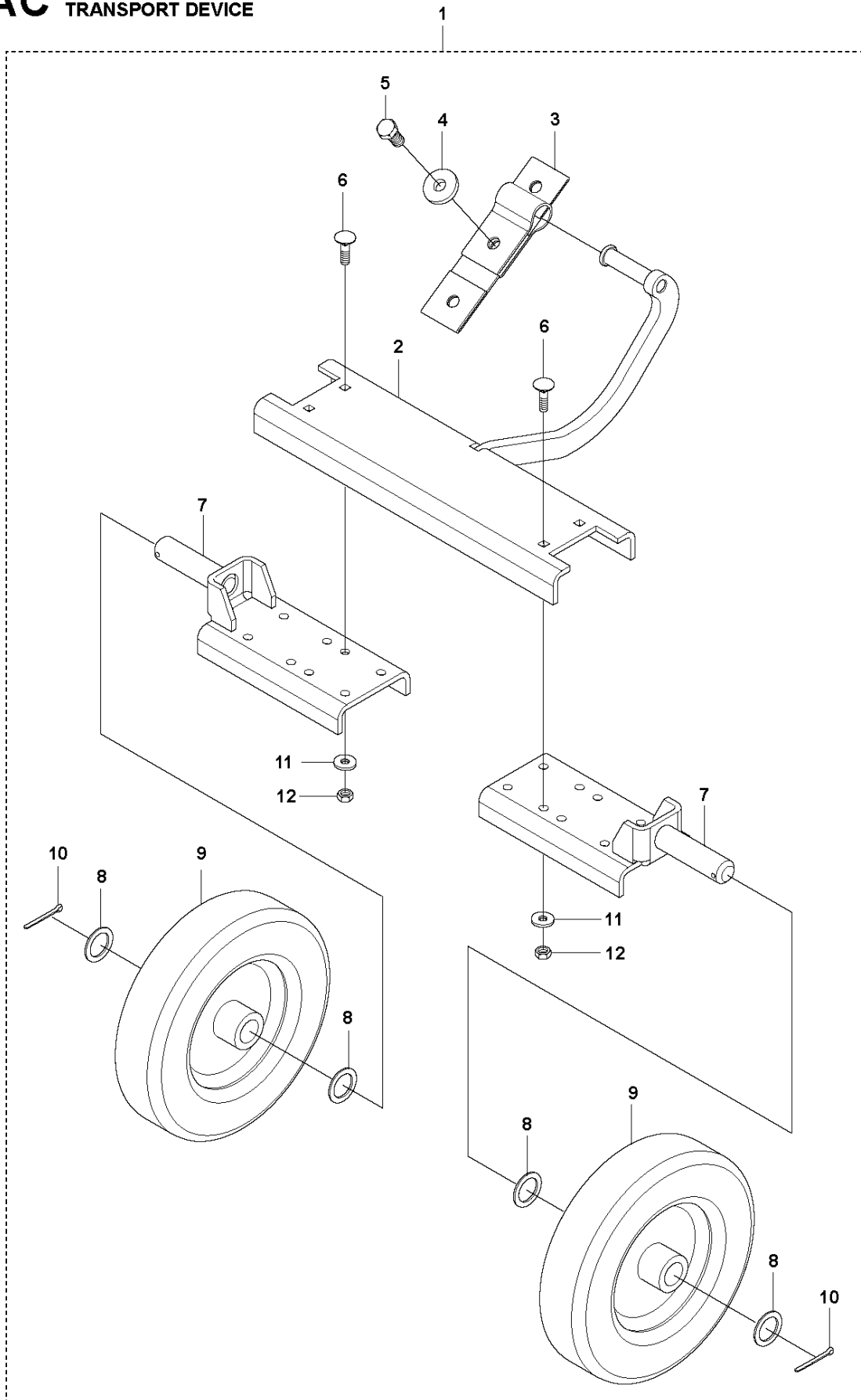
BLOCK PAVING PLATE KIT 600 MM (23.6")

LG 300, 967855303, 967855306, 967855304,

967855307, 967855305, 967855301, 967855302, 2019-06

Ref	Part No	Description	Remark	QTY KIT	
1	594 83 03-01	BLOCK	600 mm Block Paving kit (Optional)	1	
2	595 17 67-01	PLATE	Polyurethane plate	1	1
3	594 44 73-01	BRACKET		2	1
4	595 06 72-01	SCREW		4	1
5	595 06 47-01	LOCK NUT	M10 x 1.5 mm A3K	4	1

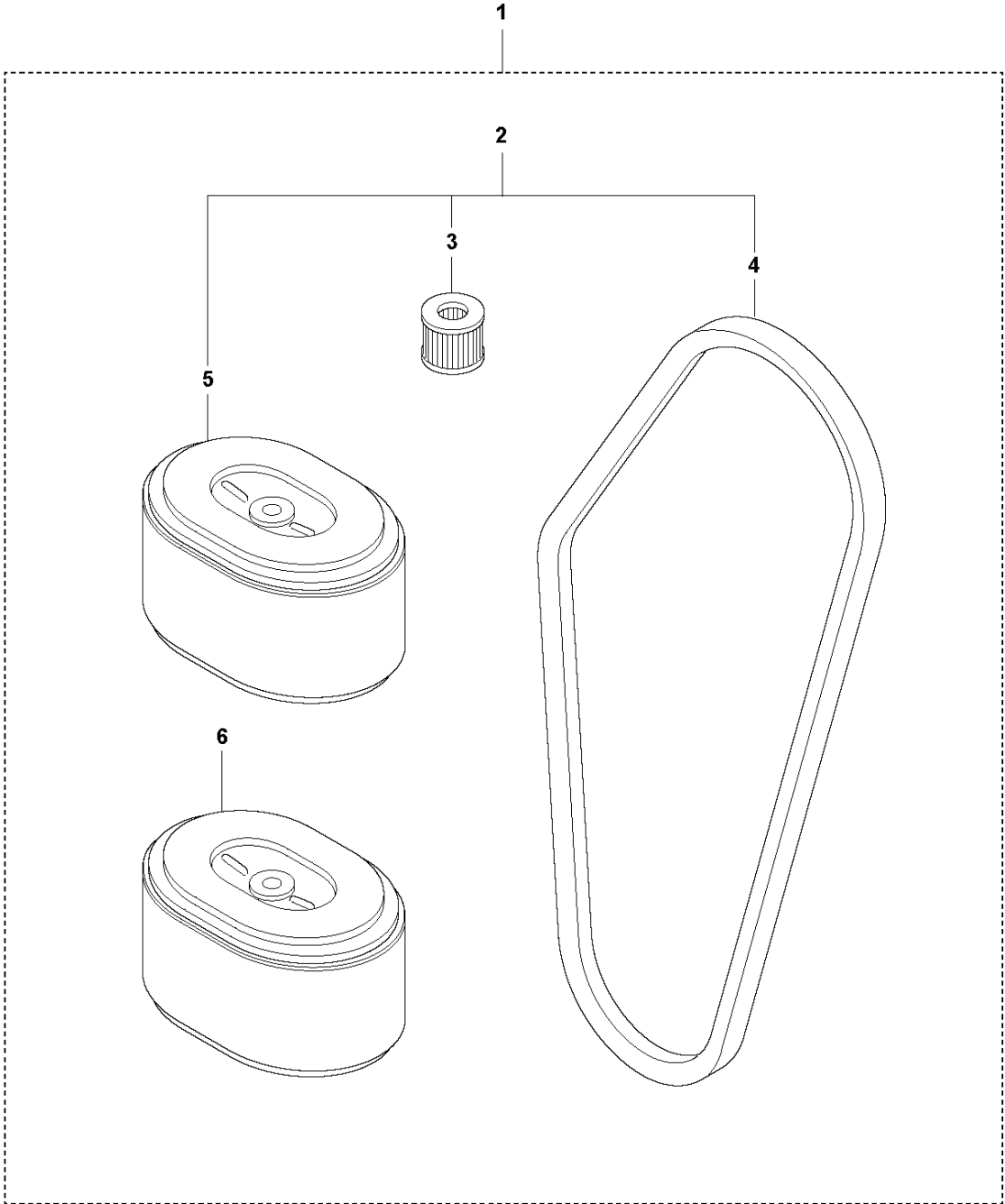
AC LG 300
TRANSPORT DEVICE



TRANSPORT DEVICE LG 300, 967855303, 967855306, 967855304, 967855307, 967855305,
967855301, 967855302, 2019-06

Ref	Part No	Description	Remark	QTY KIT	
1	594 83 05-01	UNIT	Transport device	1	
2	594 48 64-01	UNIT		1	1
3	594 14 36-01	STRAP	Strap	1	1
4	594 12 40-01	WASHER		1	1
5	595 34 53-01	SCREW		1	1
6	595 11 19-01	SCREW	Cup square neck bolt , Screw, M8 x 30 mm 8.8	4	1
7	594 48 66-01	BRACKET		2	1
8	594 31 62-01	WASHER		4	1
9	594 45 58-01	WHEEL		2	1
10	595 34 35-01	PIN		2	1
11	594 12 34-01	WASHER	8.4 x 16 x 1.5 mm, 0.33 x 0.63 x 0.06 in. 300 HV	4	1
12	595 03 57-01	NUT		4	1

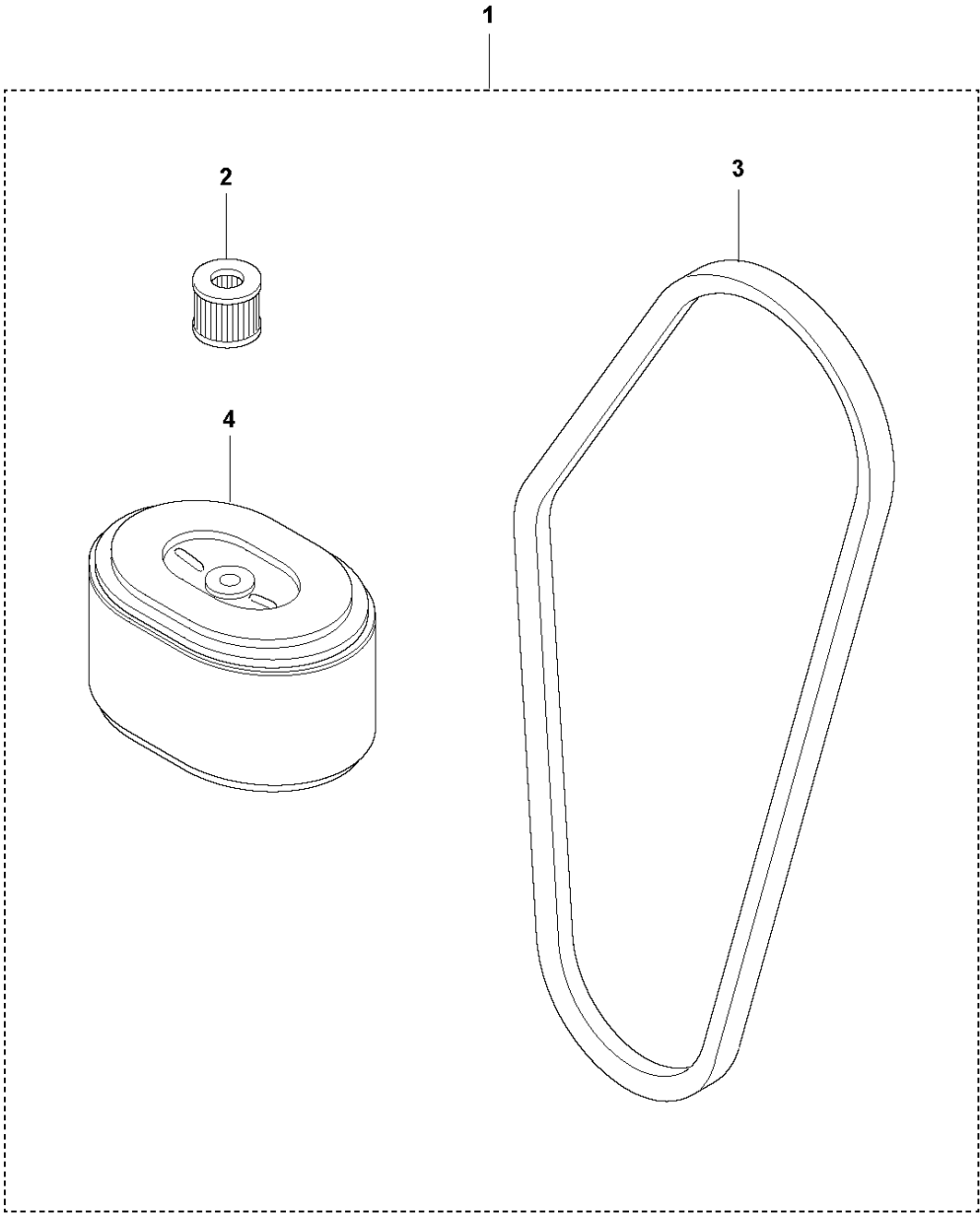
AD LG300
START UP KIT - HONDA



START UP KIT - HONDA LG 300, 967855303, 967855306, 967855304, 967855307, 967855305, 967855301, 967855302, 2019-06

Ref	Part No	Description	Remark	QTY KIT	
1	595 38 54-01	SERVICE KIT	Start up kit - Honda	1	
2	595 38 47-01	SERVICE KIT	12 months / 500 hours service kit - Hatz	1	1
3	594 44 55-01	AIR FILTER		1	1, 2
4	594 33 27-01	BELT		1	1, 2
5	594 57 51-01	AIR FILTER		1	1, 2
6	594 57 51-01	AIR FILTER		1	1

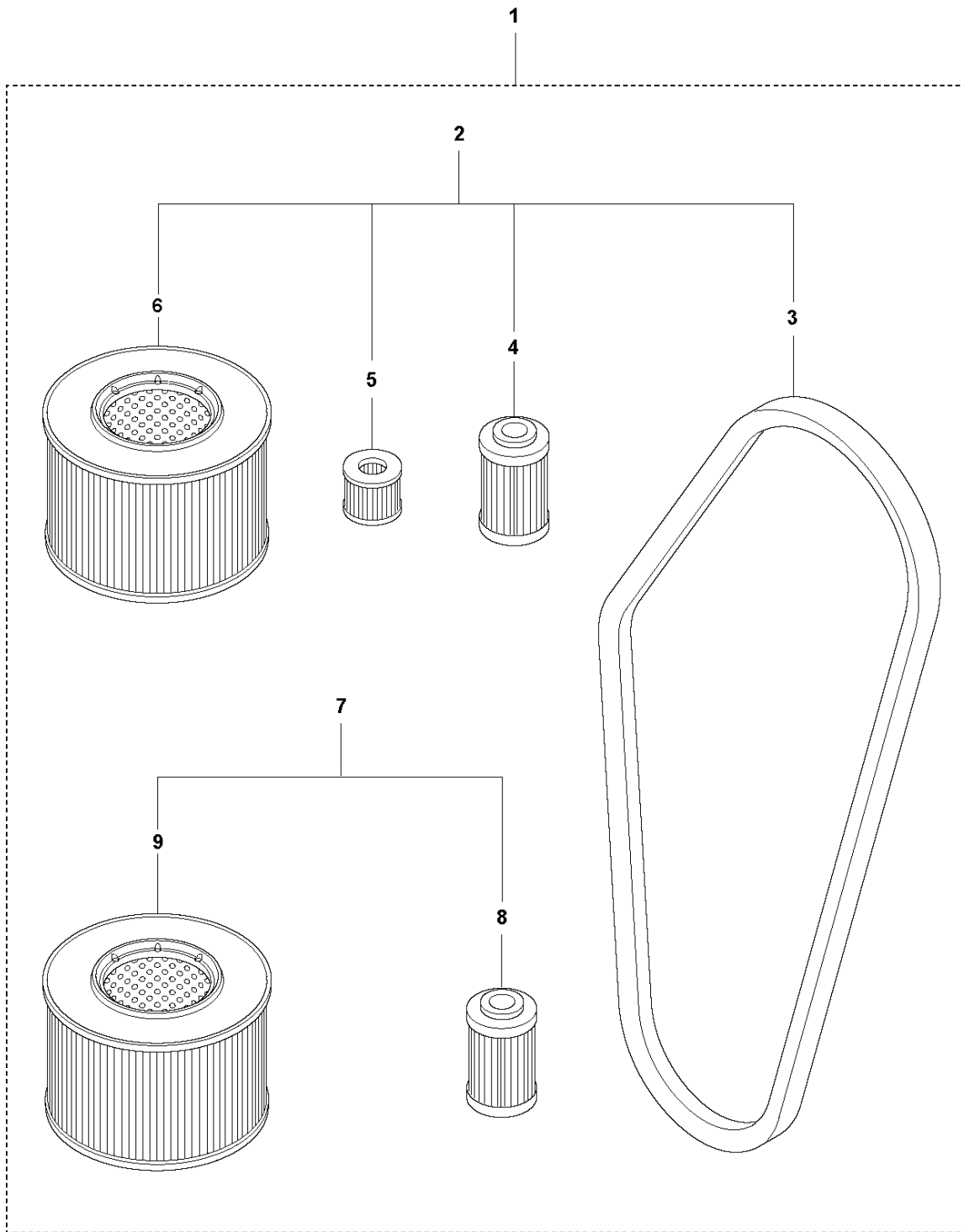
AE LG300
12 MONTHS SERVICE KIT / 500 HOURS SERVICE KIT - HONDA



12 MONTHS / 500 HOURS SERVICE KIT - HONDA LG 300, 967855303, 967855306, 967855304,
 967855307, 967855305, 967855301, 967855302, 2019-06

Ref	Part No	Description	Remark	QTY KIT	
1	595 38 47-01	SERVICE KIT	12 months / 500 hours service kit - Honda	1	
2	594 44 55-01	AIR FILTER		1	1
3	594 33 27-01	BELT		1	1
4	594 57 51-01	AIR FILTER		1	1

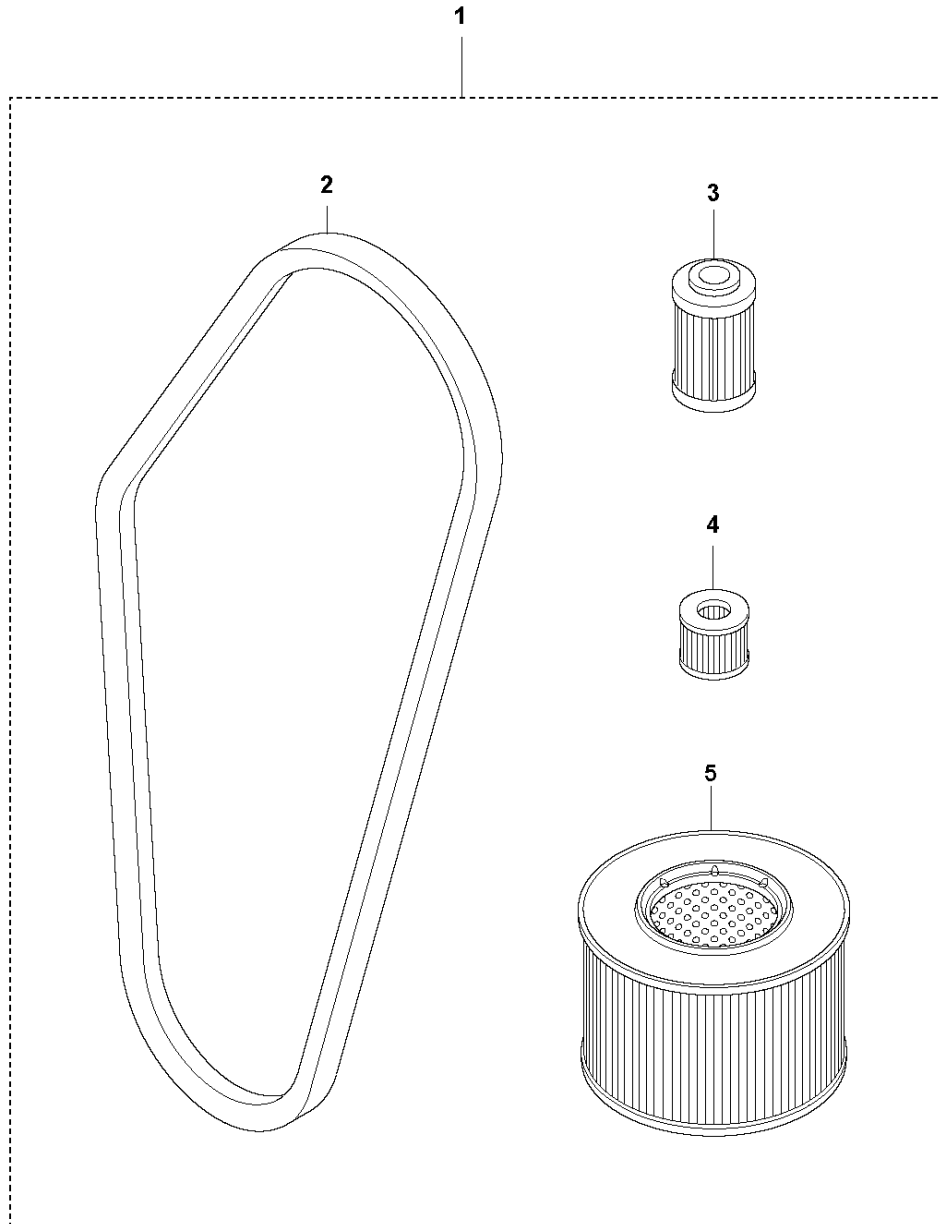
AF LG 300
START UP KIT - HATZ



START UP KIT - HATZ LG 300, 967855303, 967855306, 967855304, 967855307, 967855305,
 967855301, 967855302, 2019-06

Ref	Part No	Description	Remark	QTY KIT	
1	595 13 29-01	SERVICE KIT	Start up kit - Hatz	1	
2	594 21 70-01	SERVICE KIT	12 months / 500 hours service kit - Hatz	1	1
3	594 33 18-01	BELT		1	1, 2
4	594 59 51-01	FUEL FILTER		1	1, 2
5	594 44 55-01	AIR FILTER		1	1, 2
6	594 57 11-01	FILTER		1	1, 2
7	594 21 46-01	SERVICE KIT	6 months / 250 hours service kit - Hatz	1	1
8	594 59 51-01	FUEL FILTER		1	1, 7
9	594 57 11-01	FILTER		1	1, 7

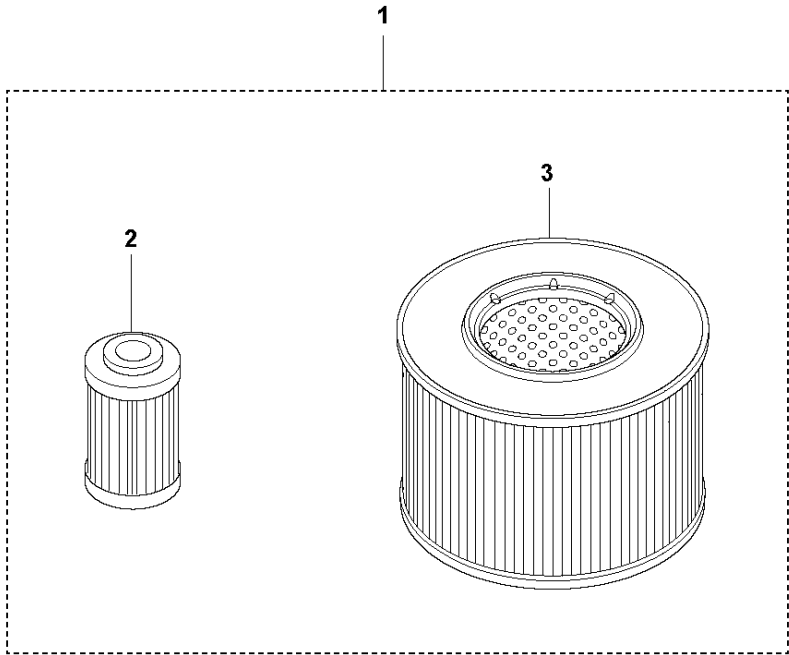
AG LG 300
12 MONTHS 500 HOURS SERVICE KIT - HATZ



12 MONTHS / 500 HOURS SERVICE KIT - HATZ LG 300, 967855303, 967855306, 967855304,
 967855307, 967855305, 967855301, 967855302, 2019-06

Ref	Part No	Description	Remark	QTY KIT	
1	594 21 70-01	SERVICE KIT	12 months / 500 hours service kit - Hatz	1	
2	594 33 18-01	BELT		1	1
3	594 59 51-01	FUEL FILTER		1	1
4	594 44 55-01	AIR FILTER		1	1
5	594 57 11-01	FILTER		1	1

AH LG 300
6 MONTHS / EVERY 250 HOURS KIT - HATZ



6 MONTHS / 250 HOURS SERVICE KIT - HATZ LG 300, 967855303, 967855306, 967855304,
967855307, 967855305, 967855301, 967855302, 2019-06

Ref	Part No	Description	Remark	QTY KIT	
1	594 21 46-01	SERVICE KIT	6 months / 250 hours service kit - Hatz	1	
2	594 59 51-01	FUEL FILTER		1	1
3	594 57 11-01	FILTER		1	1

AJ LG300
GOLD KIT - HATZ

1

1	595389301	Gold Kit LG 300 Hatz		
Ground Plate -Eccentric-Handling System LG 300 Hatz				
2	Eccentric System	Eccentric Element Repair Kit	1	
3		Shock absorber repair kit	1	
4		Pulley	1	
5		Clutch	1	
6		Forward and reverse piston repair kit	1	
7		Hydraulic hose	1	
8		Hydraulic hose	1	
9		Hydraulic hose	1	
10		Hydraulic hose	1	
Cosmetic Kit LG 300 Hatz				
11	Covers	Front hood	1	
12		Rear Hood	1	
13		Screw	14	
14		Washer	17	
15		Screw	2	
16		Screw	3	
17		Washer	2	
18		Clip	1	
19		Insulation	1	
20		Belt Guard	V-belt cover	1
21			Bolt	4
22		Washer	4	
23		Handle System	Rubber cover	1
24			Rubber cover	1
25			Grab handle	1
26			Lever	1
27			Housing	1
28			Lever housing	1
29			Measuring nipple	1
30	Measuring nipple		1	
31	Screw		2	
32	Washer		2	
33	Pin		1	
34	Rod		1	
35	Labeling	Product Label Kit LG 300 Hatz	1	
Engine				
36	Hatz Engine	Yearly Service Kit Hatz	1	

GOLD KIT - HATZ LG 300, 967855303, 967855306, 967855304, 967855307, 967855305, 967855301, 967855302, 2019-06

Ref	Part No	Description	Remark	QTY KIT
1	595 38 93-01	SERVICE KIT	For LG 300 with Hatz engine	1

AK **LG300**
SILVER KIT - HATZ

1

1	595389201	Silver Kit LG 300 Hatz	
Ground Plate -Eccentric-Handling System LG 300 Hatz			
2	Eccentric System	Eccentric Element Repair Kit	1
3		Shock absorber repair kit	1
4		Pulley	1
5		Clutch	1
6		Forward and reverse piston repair kit	
7		Hydraulic hose	1
8		Hydraulic hose	1
9		Hydraulic hose	1
10		Hydraulic hose	1
Engine			
11	Hatz Engine	Yearly Service Kit Hatz	1

SILVER KIT - HATZ LG 300, 967855303, 967855306, 967855304, 967855307, 967855305,
967855301, 967855302, 2019-06

Ref	Part No	Description	Remark	QTY KIT
1	595 38 92-01	SERVICE KIT	For LG 300 with Hatz engine	1

AL LG300
COSMETIC KIT - HATZ

1

1	595386801	Cosmetic Kit LG 300 Hatz	
2	Covers	Front hood	1
3		Rear Hood	1
4		Screw	14
5		Washer	17
6		Screw	2
7		Screw	3
8		Washer	2
9		Clip	1
10		Insulation	1
11		Belt Guard	V-belt cover
12	Bolt		4
13	Washer		4
14	Handle System	Rubber cover	1
15		Rubber cover	1
16		Grab handle	1
17		Lever	1
18		Housing	1
19		Lever housing	1
20		Measuring nipple	1
21		Measuring nipple	1
22		Screw	2
23		Washer	2
24		Pin	1
25		Rod	1
26	Labeling	Product Label Kit LG 300 Hatz	1
	Engine		
27	Hartz Engine	Yearly Service Kit Hatz	1

COSMETIC KIT - HATZ LG 300, 967855303, 967855306, 967855304, 967855307, 967855305,
967855301, 967855302, 2019-06

Ref	Part No	Description	Remark	QTY KIT
1	595 38 68-01	SERVICE KIT	For LG 300 with Hatz engine	1

AM LG300
GOLD KIT - HONDA

1

1	595389501	Gold Kit LG 300 Honda	
Ground Plate - Eccentric-Handling System Repair Kit LG 300 Honda			
2	Eccentric System	Eccentric Element Repair Kit	1
3		Shock absorber repair kit	1
4		Pulley	1
5		Forward and reverse piston repair kit	1
6		Hydraulic hose	1
7		Hydraulic hose	1
8		Hydraulic hose	1
9		Hydraulic hose	1
Cosmetic Kit LG 300 Honda			
10	Belt Guard	V-belt cover	1
11		Bolt	4
12		Washer	4
13	Handle System	Rubber cover	1
14		Rubber cover	1
15		Grab handle	1
16		Lever	1
17		Housing	1
18		Lever housing	1
19		Measuring nipple	1
20		Measuring nipple	1
21		Screw	2
22		Washer	2
23		Pin	1
24		Rod	1
25	Labeling	Product Label Kit LG 300 Honda	1
Engine			
26	Hatz Engine	Yearly Service Kit Honda	1

GOLD KIT - HONDA LG 300, 967855303, 967855306, 967855304, 967855307, 967855305,
967855301, 967855302, 2019-06

Ref	Part No	Description	Remark	QTY KIT
1	595 38 95-01	SERVICE KIT	For LG 300 with Honda engine	1

AN LG300
SILVER KIT - HONDA

1

1	595389401	Silver Kit LG 300 Honda	
Ground Plate - Eccentric-Handling System Repair Kit LG 300 Honda			
2	Eccentric System	Eccentric Element Repair Kit	1
3		Shock absorber repair kit	1
4		Pulley	1
5		Forward and reverse piston repair kit	1
6		Hydraulic hose	1
7		Hydraulic hose	1
8		Hydraulic hose	1
9		Hydraulic hose	1
Engine			
10	Hatz Engine	Yearly Service Kit Honda	1

SILVER KIT - HONDA LG 300, 967855303, 967855306, 967855304, 967855307, 967855305,
967855301, 967855302, 2019-06

Ref	Part No	Description	Remark	QTY KIT
1	595 38 94-01	SERVICE KIT	For LG 300 with Honda engine	1

AP **LG300**
COSMETIC KIT - HONDA

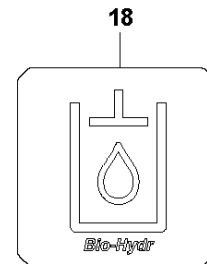
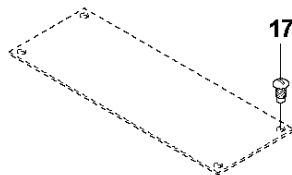
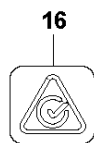
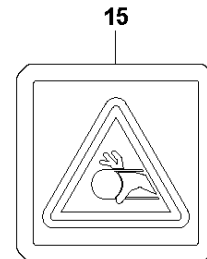
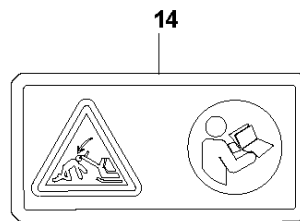
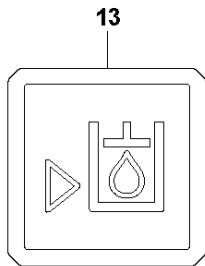
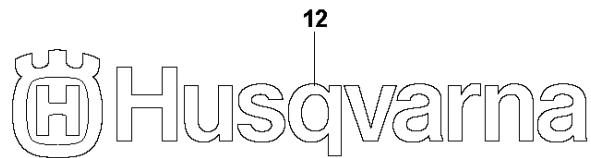
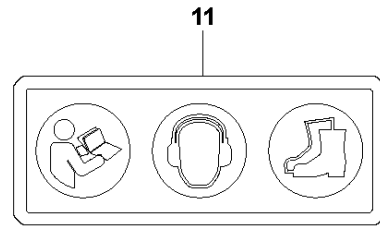
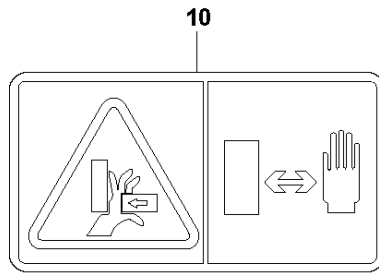
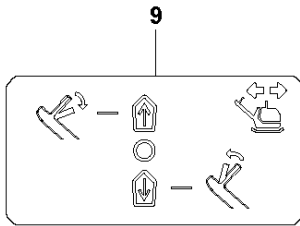
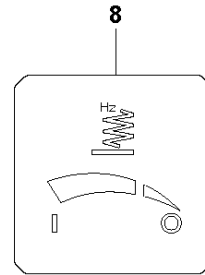
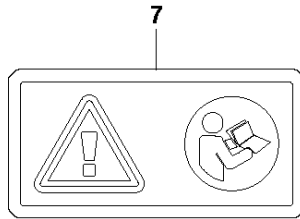
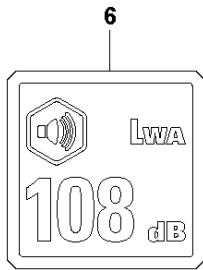
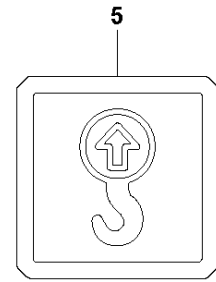
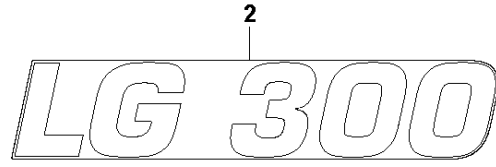
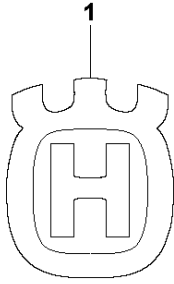
1

1	595386701	Cosmetic Kit LG 300 Honda	
2	Belt Guard	V-belt cover	1
3		Bolt	4
4		Washer	4
5		Rubber cover	1
6	Handle System	Rubber cover	1
7		Grab handle	1
8		Lever	1
9		Housing	1
10		Lever housing	1
11		Measuring nipple	1
12		Measuring nipple	1
13		Screw	2
14		Washer	2
15		Pin	1
16		Rod	1
17	Labeling	Product Label Kit LG 300 Honda	1

COSMETIC KIT - HONDA LG 300, 967855303, 967855306, 967855304, 967855307, 967855305, 967855301, 967855302, 2019-06

Ref	Part No	Description	Remark	QTY KIT
1	595 38 67-01	SERVICE KIT	For LG 300 with Honda engine	1

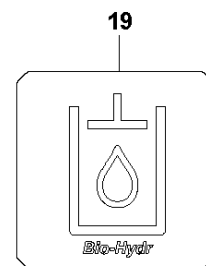
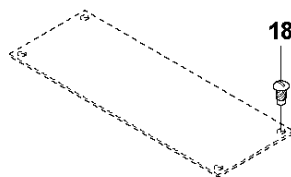
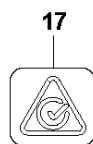
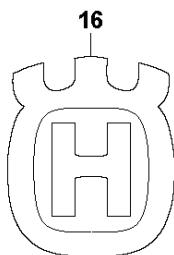
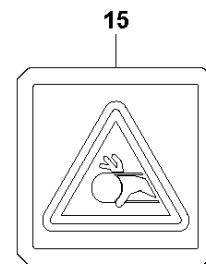
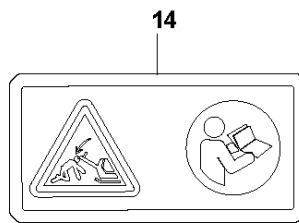
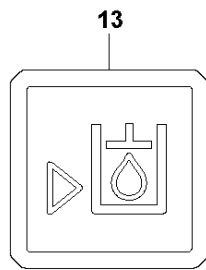
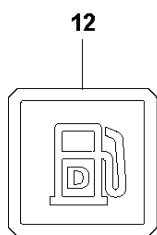
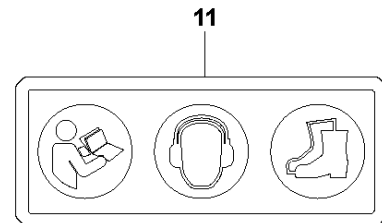
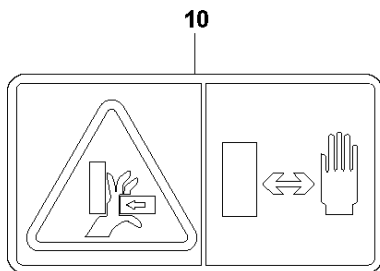
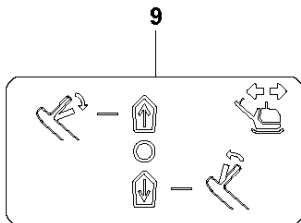
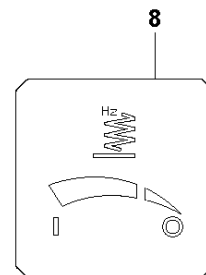
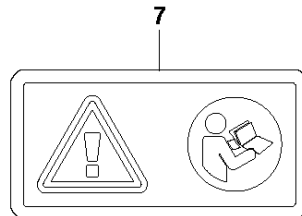
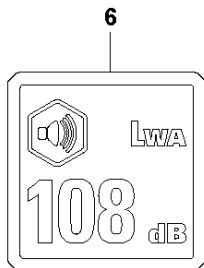
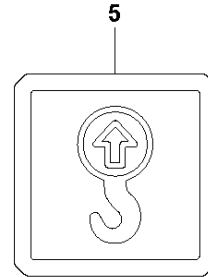
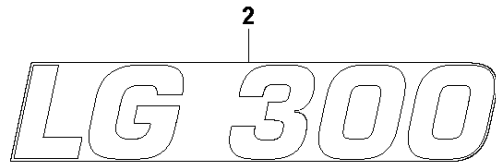
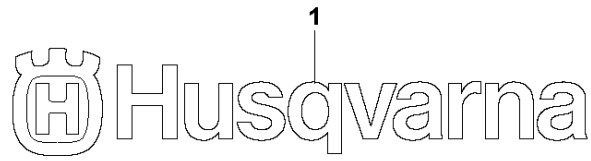
AQ LG 300
DECALS - HONDA



DECALS - HONDA LG 300, 967855303, 967855306, 967855304, 967855307, 967855305,
 967855301, 967855302, 2019-06

Ref	Part No	Description	Remark	QTY KIT
1	595 31 98-02	DECAL	Husqvarna crown	1
2	595 09 54-01	DECAL		1
5	594 66 09-01	LABEL		2
6	595 21 63-01	DECAL		1
7	594 86 97-01	LABEL		1
8	594 35 39-01	DECAL		1
9	594 66 07-01	LABEL		2
10	594 53 64-01	DECAL		1
11	594 65 96-01	LABEL		1
12	577 46 90-01	DECAL	Husqvarna logo	1
13	595 51 28-01	LABEL		1
14	594 66 06-01	LABEL		1
15	594 66 08-01	LABEL		1
16	596 28 02-01	DECAL	Compliance RCM Decal	1
17	595 35 10-01	SCREW		4
18	595 46 94-01	DECAL		1

AR LG 300
DECALS - HATZ



DECALS - HATZ LG 300, 967855303, 967855306, 967855304, 967855307, 967855305, 967855301, 967855302, 2019-06

Ref	Part No	Description	Remark	QTY KIT
1	577 46 90-01	DECAL	Husqvarna logo	1
2	595 09 54-01	DECAL		2
5	594 66 09-01	LABEL		2
6	595 21 63-01	DECAL		1
7	594 86 97-01	LABEL		1
8	594 35 39-01	DECAL		1
9	594 66 07-01	LABEL		2
10	594 53 64-01	DECAL		1
11	594 65 96-01	LABEL		1
12	594 66 16-01	LABEL		1
13	595 51 28-01	LABEL		1
14	594 66 06-01	LABEL		1
15	594 66 08-01	LABEL		1
16	595 31 98-02	DECAL	Husqvarna crown	1
17	596 28 02-01	DECAL	Compliance RCM Decal	1
18	595 35 10-01	SCREW		4
19	595 46 94-01	DECAL		1