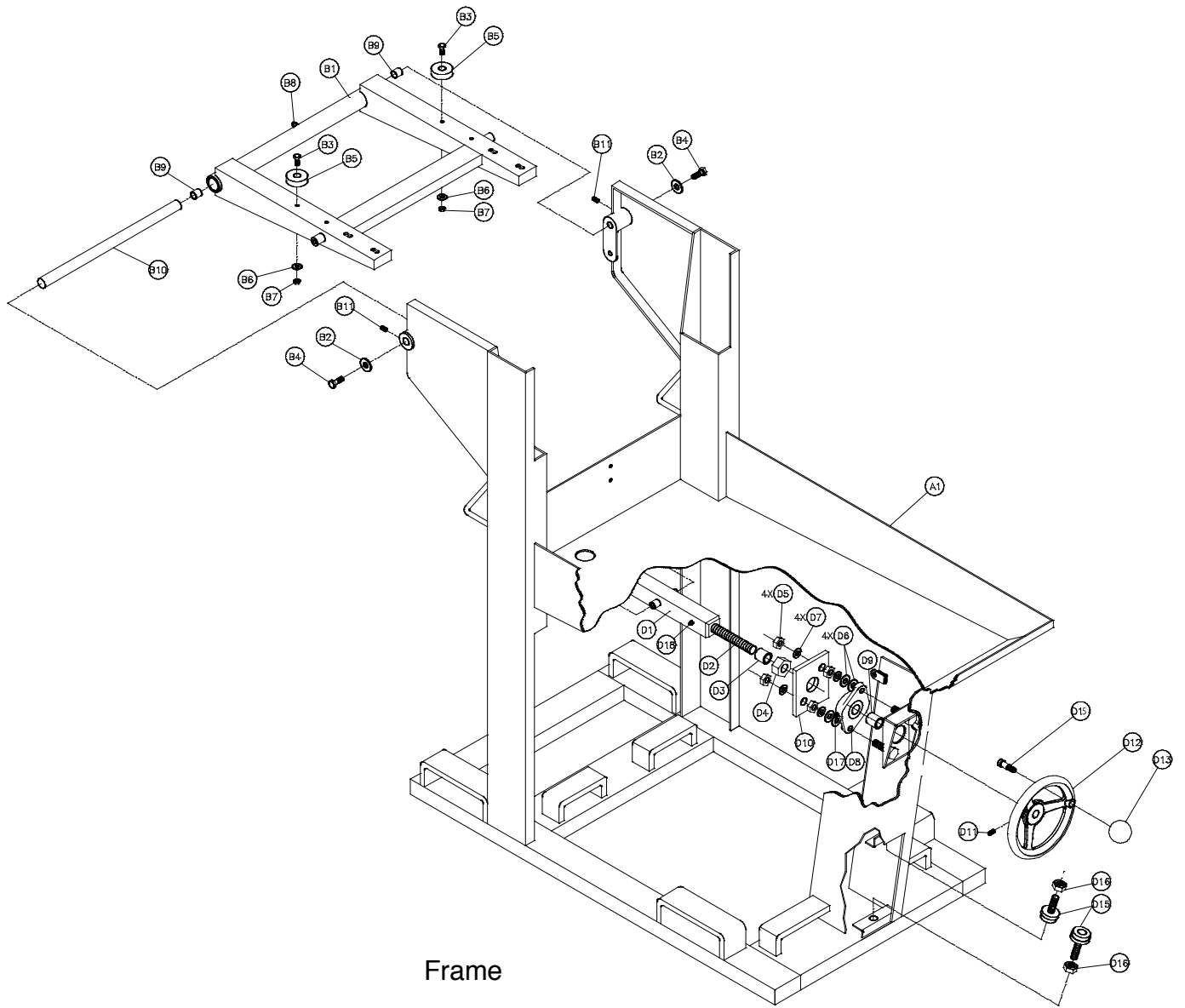


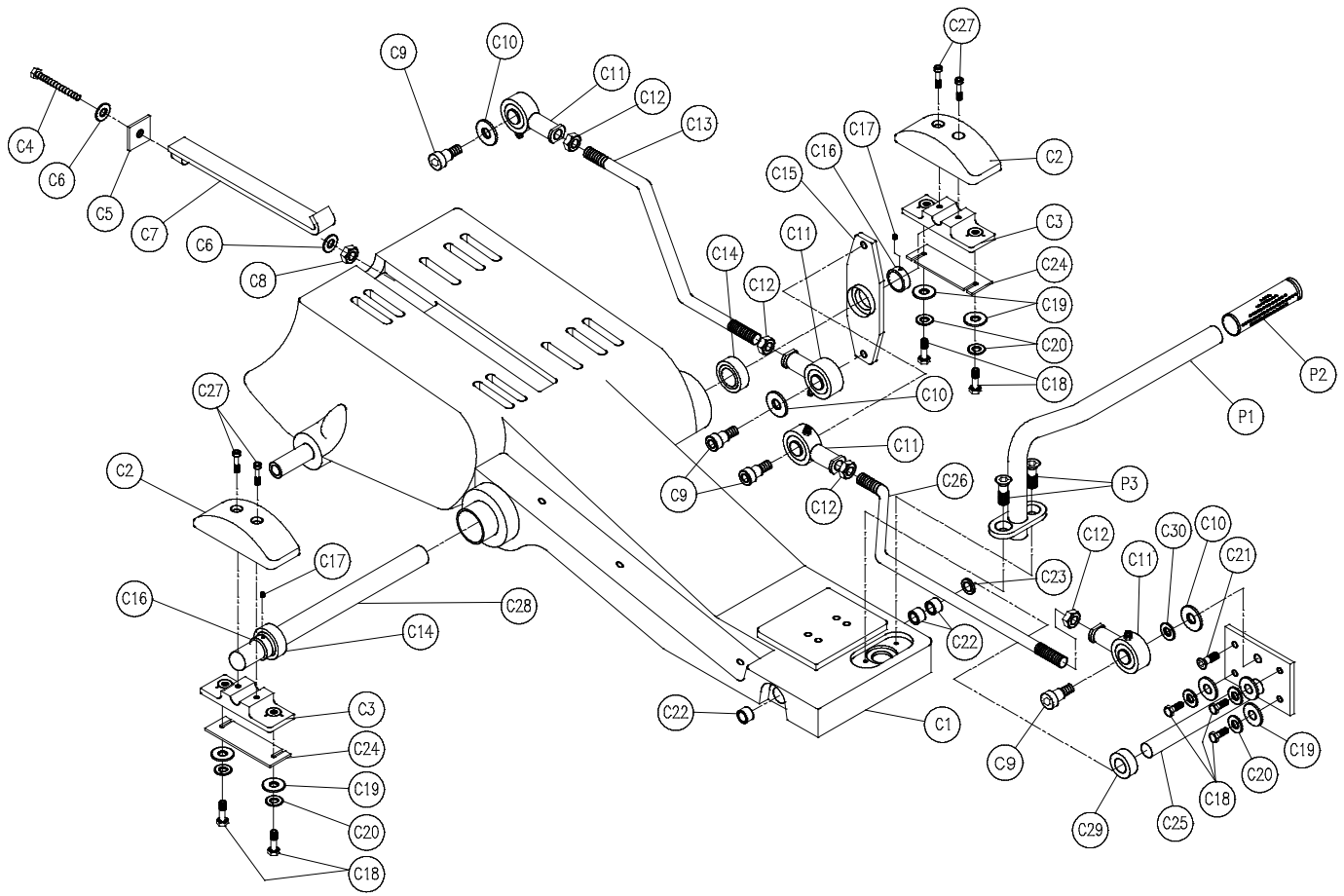
MK-5005S BLOCK SAW OWNER'S MANUAL PARTS LIST & OPERATING INSTRUCTIONS



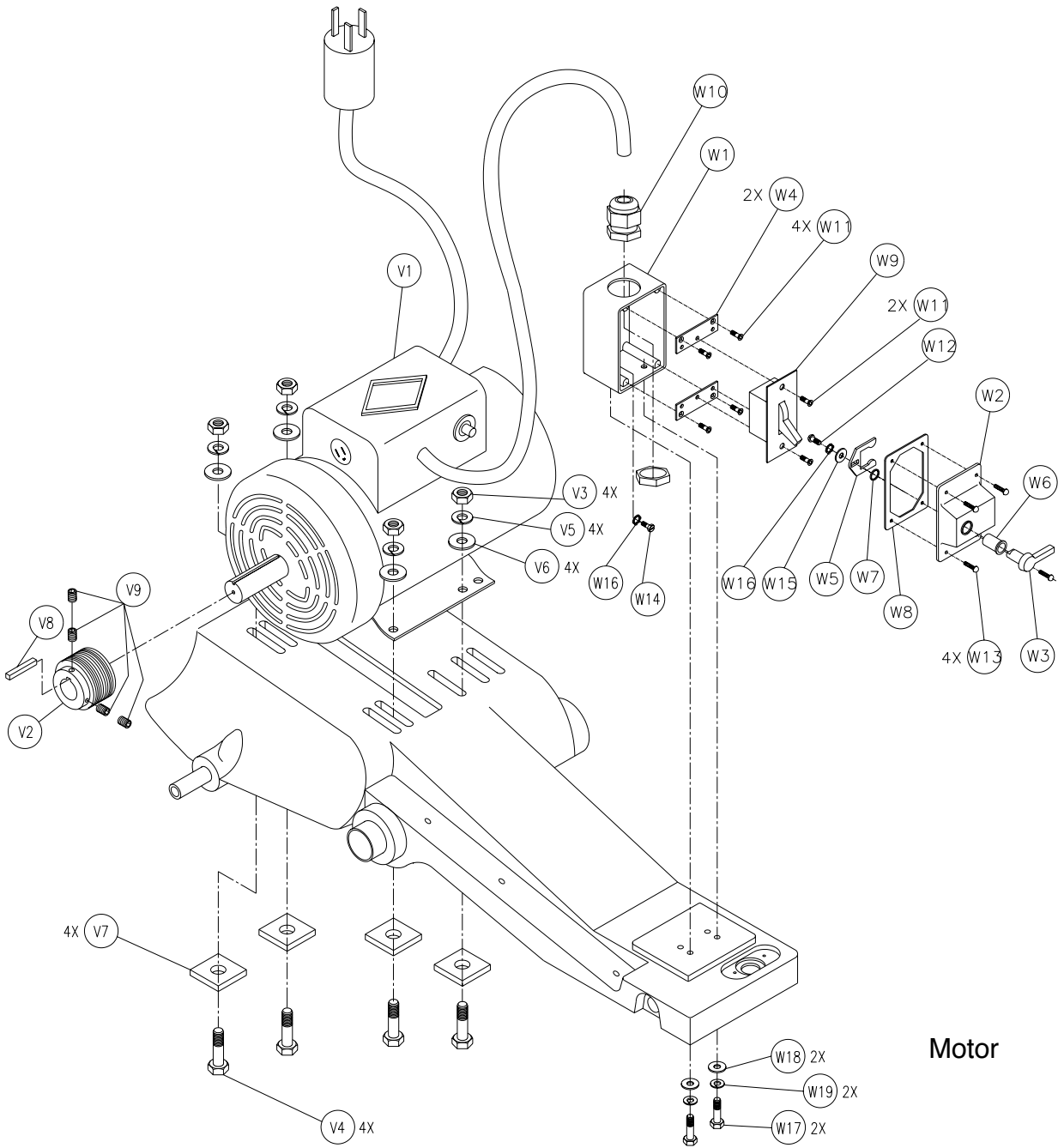
Revision 104	04.2014
Manual Part# 158769	

Caution: Read all safety and operating instructions before using this equipment. This parts list **MUST** accompany the equipment at all times.

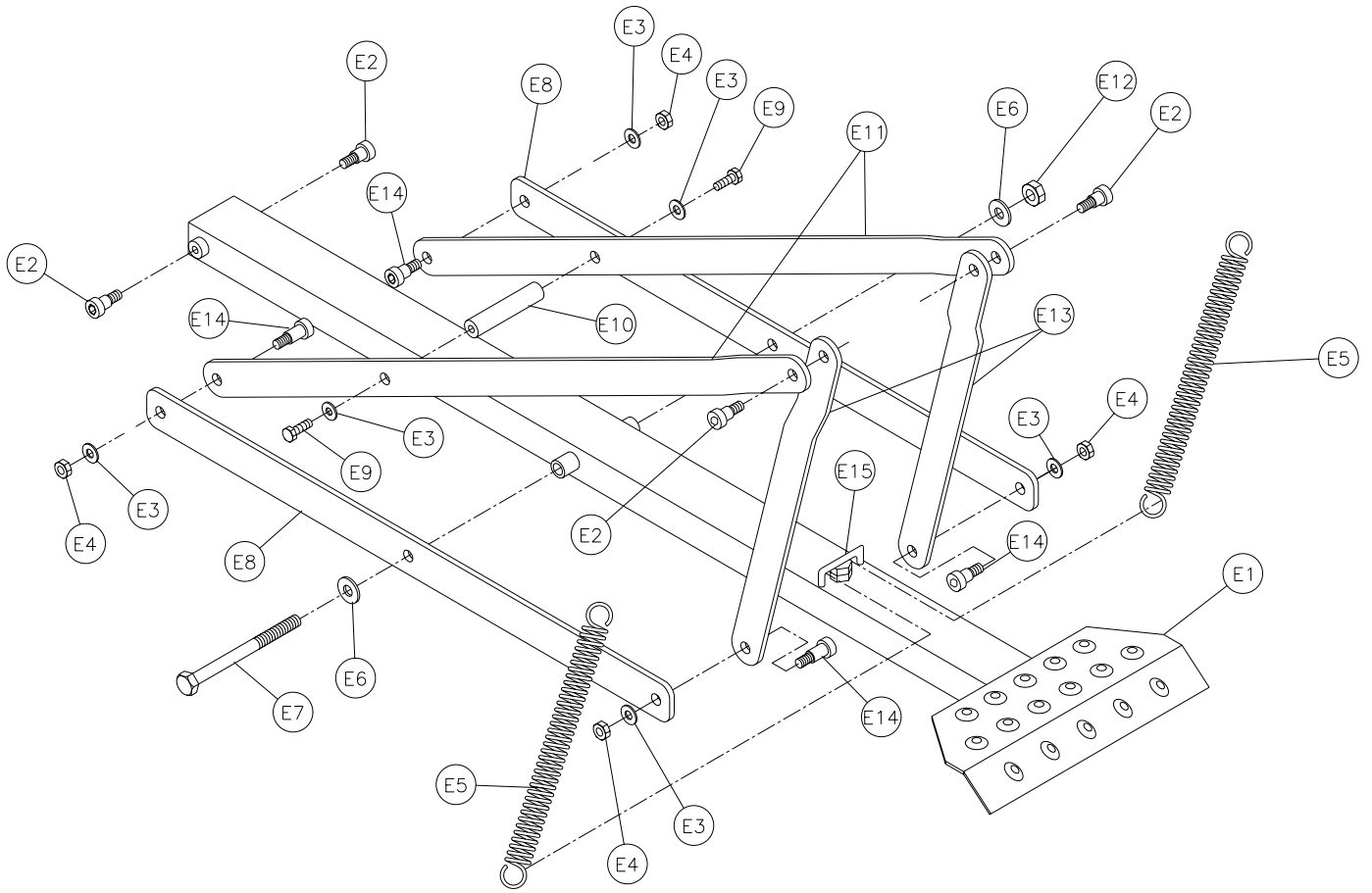




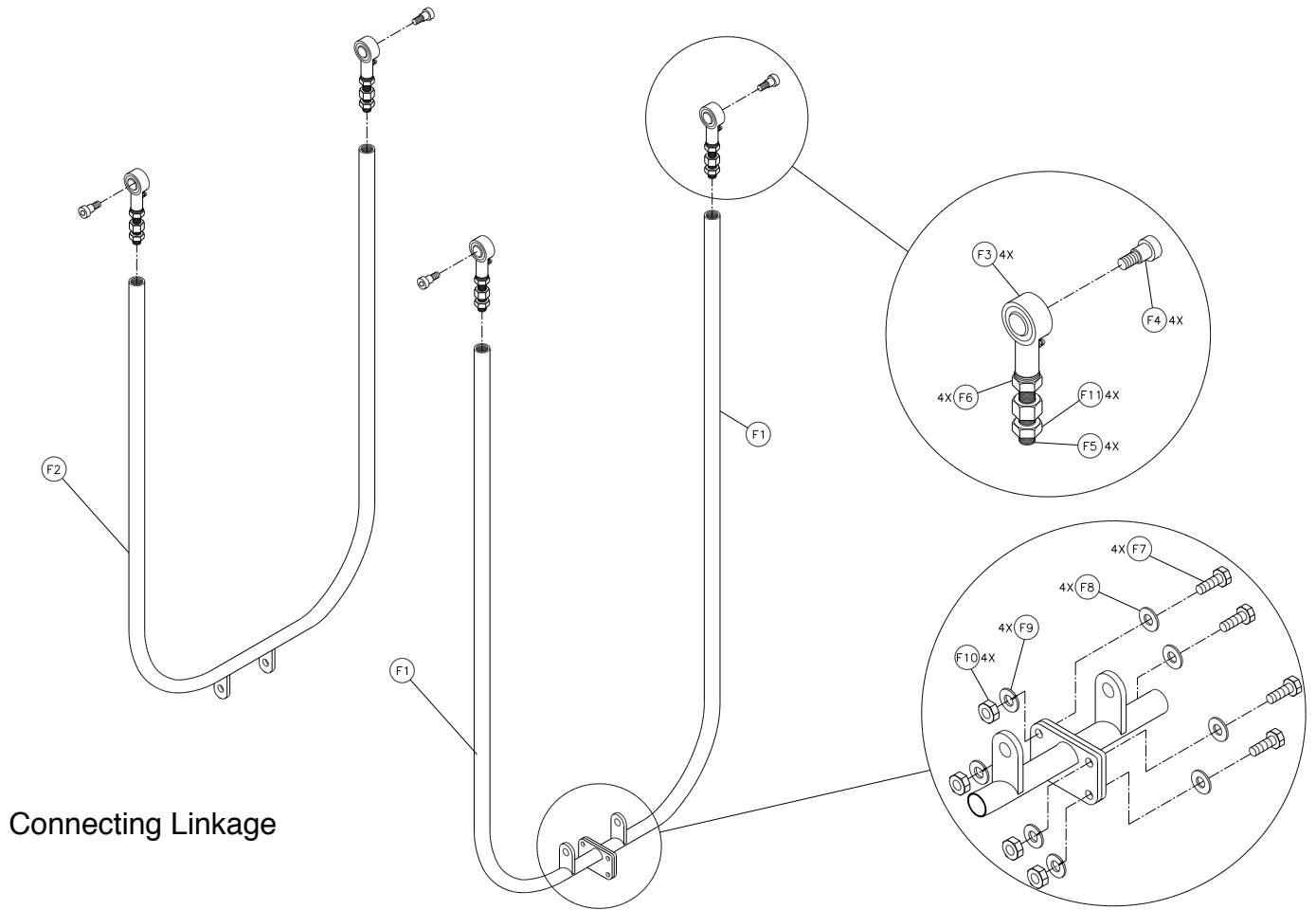
Cutting Head

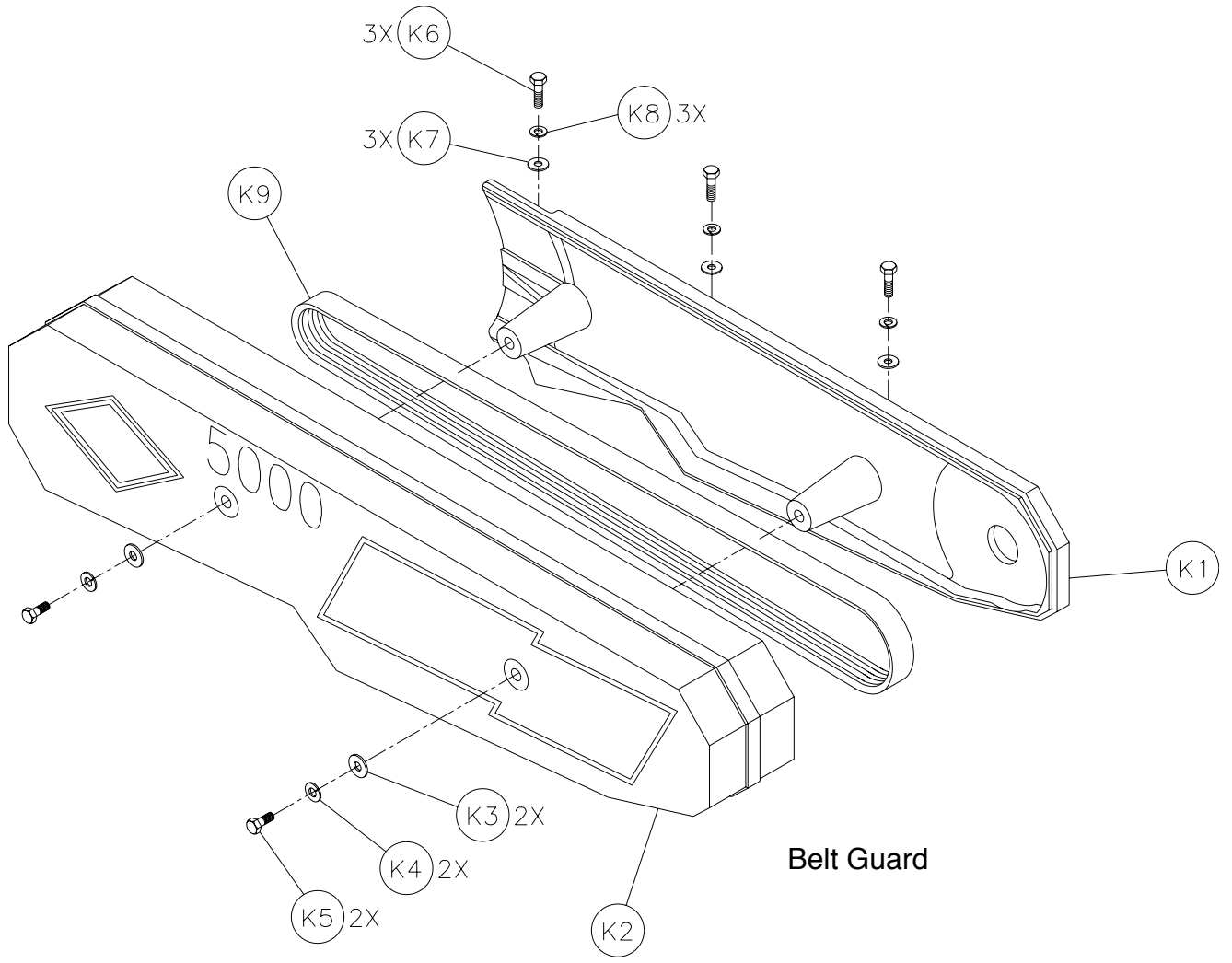


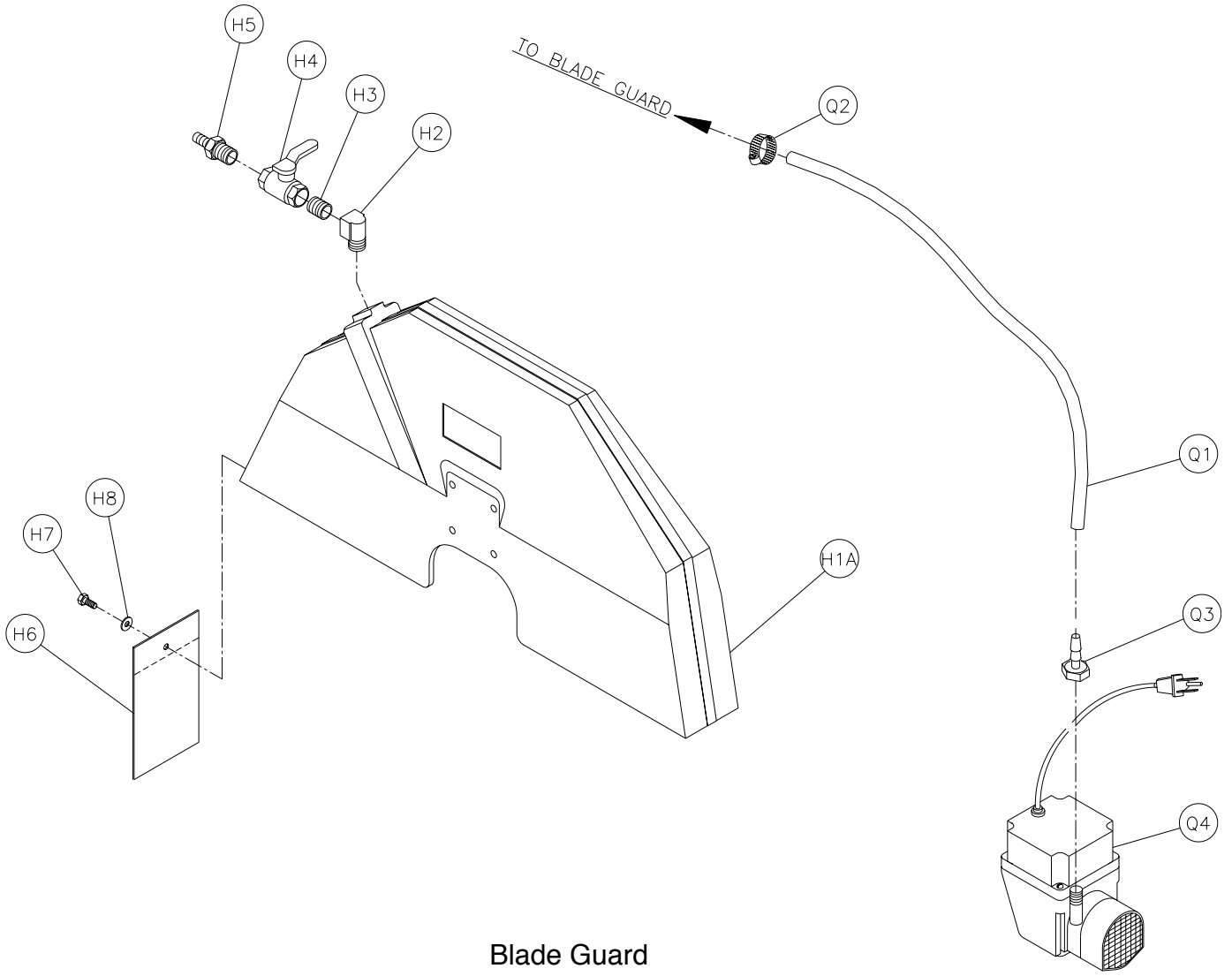
Motor



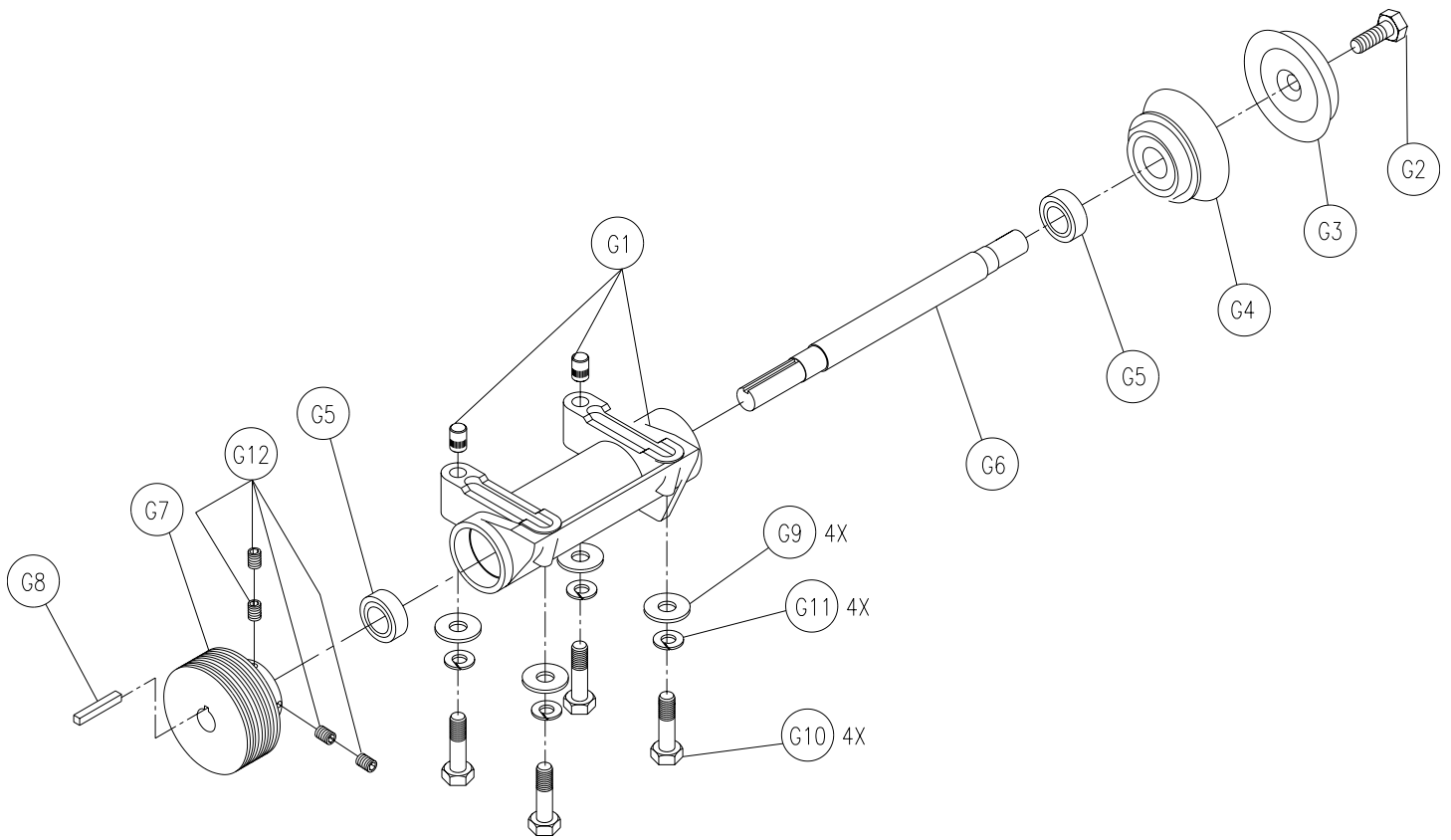
Foot Pedal Linkage



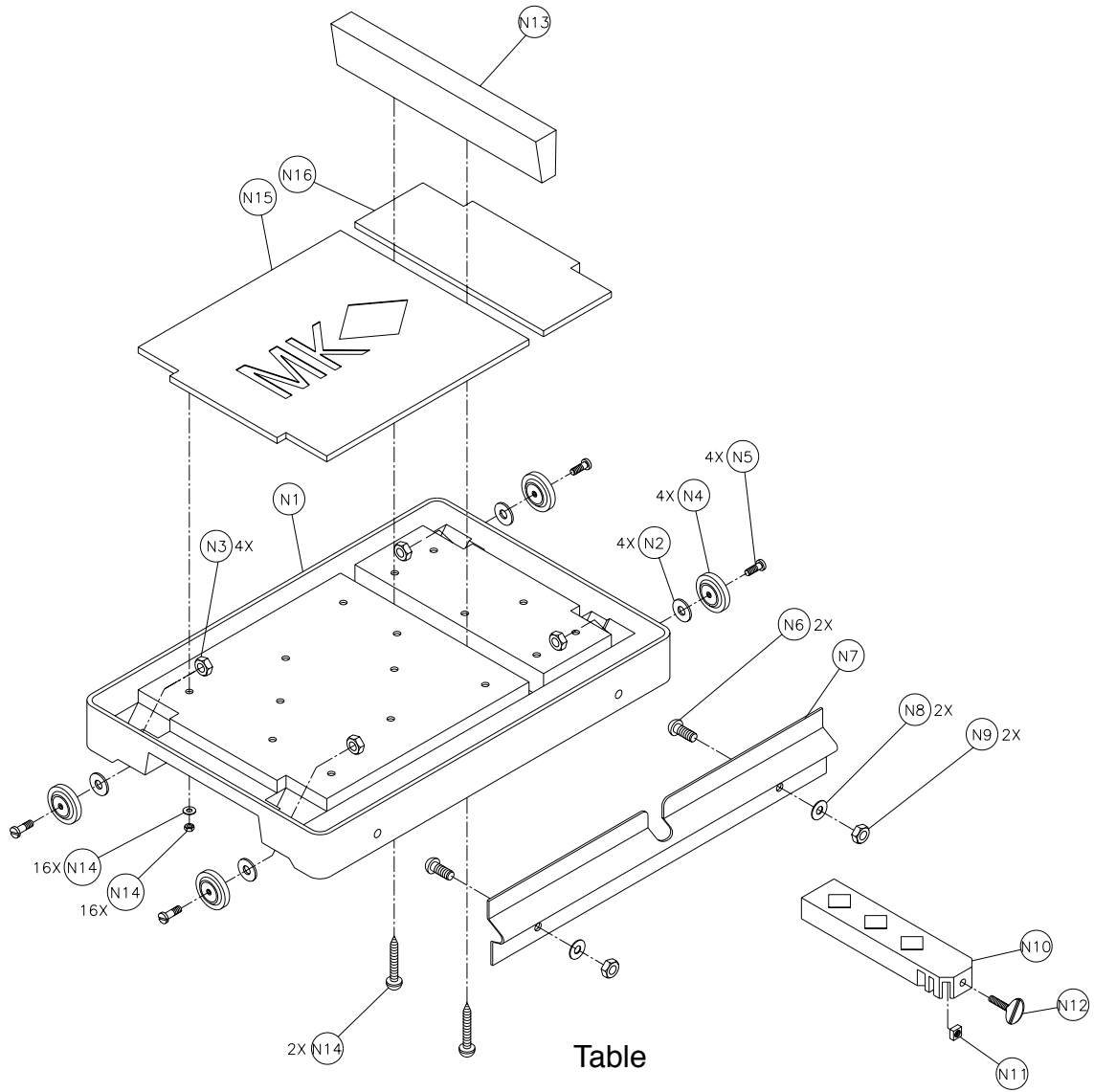


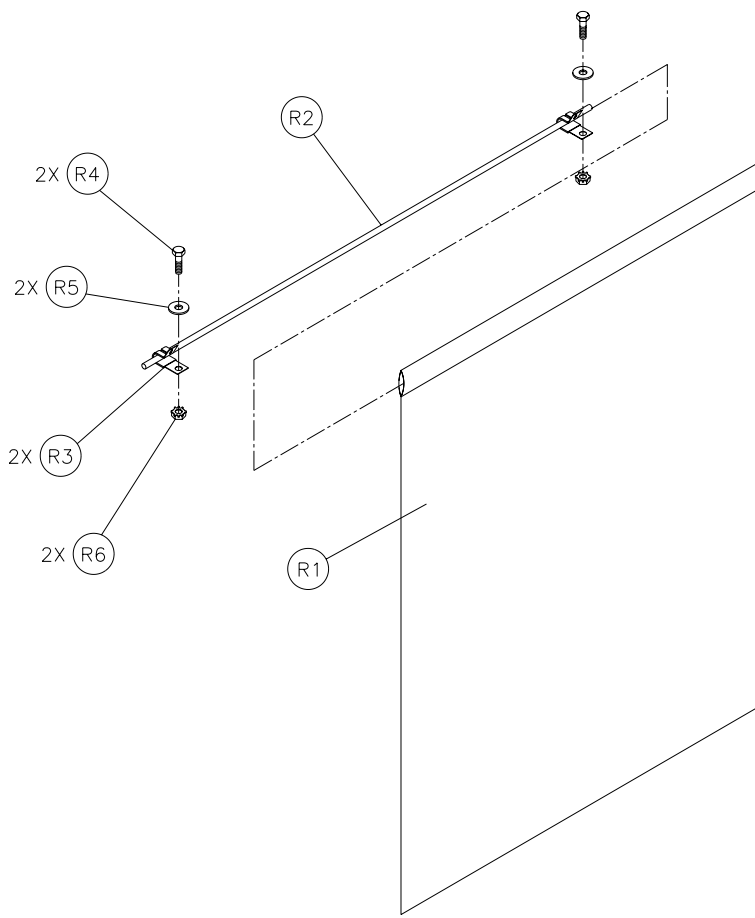


Blade Guard

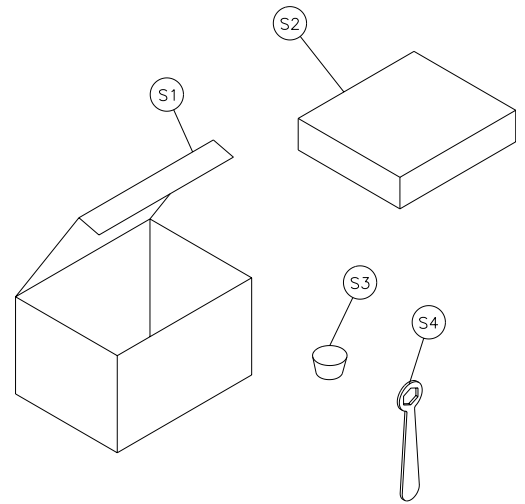


Arbor Shaft





Curtain



Accessories

Item	Description	Qty	Part #
A	Frames	-	-
A1	Frame, MK-5000 Main	1	155541
B	Pivot Bracket	-	-
B1	Bracket, Elevation Pivot	1	156285
B2	Washer, 3/8 ID x 1-1/2 OD, Fender Washer	2	158523
B3	Screw, 1/4-20 x 1/2 Hex Head	2	152608
B4	Screw, 3/8-16 x 3/4 Hex Head	2	153527
B5	Bumper, 1/4 ID x 1-1/2 OD x 3/4	2	154496
B6	Washer, 1/4 SAE Flat	2	151915
B7	Nut, 1/4-20 Hex	2	151893
B8	Fitting, Grease (zerk)	1	153852
B9	Bushing, 1 x 1-1/4 x 2 MIS	2	154571
B10	Shaft, Pivot Arm MK-5000	1	155880
B11	Screw, 1/4-20 x 1/4 Socket Head Set, Cone point	2	153864
C	Cutting Head MK-5000	-	-
C1A	Casting, Cutting Head (comp)	1	155783
C2	Cover, 5000 Mounting Block (Comp)	2	156265
C3	Casting, 5000, Mounting Block (Comp)	2	155762
C4	Bolt, 3/8- 16 x 4-1/2 Hex Head Tap	1	153110
C5	Washer, 1-1/4 x 1-1/4 Square	1	157567
C6	Washer, 3/8 SAE Flat	2	150923
C7	Strap, Motor Adjustment	1	153611
C8	Nut, 3/8- 16 UNC	1	101188
C9	Screw, 1/2 x 1/2 Socket Head Shoulder	4	151753
C10	Washer, 1/2 SAE Flat	3	150924
C11	Joint, 1/2- 20, Female Spherical (RH)	4	154387
C12	Nut, 1/2- 20 Jam (RH)	4	154460
C13	Arm, Rear Connecting	1	158563
C14	Bearing, Ball 5/8 ID x 1-3/8 OD	2	140004
C15	Crank, Bell	1	157426
C16	Collar, Stop 5/8 ID x 1-1/8 OD x 1/2	2	140012
C17	Screw, 5/16-18 x 1/4, Socket Head Set	2	152607
C18	Screw, 5/16 x 18 x 1, Hex HD Cap	7	151743
C19	Washer, 5/16 SAE Flat	7	151754
C20	Washer, 5/16 Split Lock	7	151747
C21	Screw, 5/16-18 x 1 Flat, Socket HD Cap	1	155552
C22	Bushing, .75 x .875 x 1 Steel	3	160826
C23	Washer, Nylon .75 x 1.25 x .093	2	160827
C24	Shim, Mount Pivot Shaft Various	2	155905
C25	Shaft, Blade Guard Pivot	1	155886
C26	Link Rod, Blade Guard	1	158564
C27	Screw, 1/4- 20 x 1 Socket Head Cap	4	151049





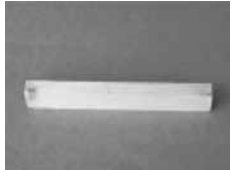
Item	Description	Qty	Part #
C28	Shaft, Cutting Head Pivot	1	154828
C29	Collar, 3/4 Set	1	153814
C30	Washer, 3/8 Split Lock	1	150925
D	Depth Control	-	-
D1	Housing, Adjustment Shaft	1	152116
D2	Screw, 3/4- 6 x 10-7/8, Depth Control	1	150840
D3	Spacer, 3/4 ID x 1 OD x 3/4	1	156249
D4	Locknut, Feed Screw	1	158227
D5	Nut, 3/8- 16 Hex Hd.	4	101188
D6	Washer, 3/8 SAE Flat	4	150923
D7	Washer, 3/8 Split Lock	4	150925
D8	Bearing, Flange FC2-25 x 3/4 ID	1	152025
D9	Spacer , .76 ID x 1 OD x 1.187	1	156250
D10	Plate, Bearing Support	1	156278
D11	Screw, 3/8-16 X 1/2 Socket Head Set, cup point	1	153710
D12	Wheel, Depth Control (comp)	1	153646
D13	Knob, Ball, 2", 3/8-16 Insert	1	158519
D15	Screw, 1/2 x 3/4 Socket Head Shoulder	1	156177
D16	Bumper, 1-1/2 Dia. x 1/2- 13 x 3 Stud	2	158605
D17	Nut, 1/2- 13 Hex	2	151282
D18	Fitting, Grease	2	153852
E	Footpedal Linkage	-	-
E1	Footpedal and Bar, 5000 Block Saw	1	160139
E2	Screw, 1/2 x 1/2 Socket Head Shoulder	4	151753
E3	Washer, 3/8 SAE Flat	6	150923
E4	Nut, 3/8-16 Center Lock	4	153522
E5	Spring, Footpedal	2	152115
E6	Washer, 1/2 SAE Flat	2	150924
E7	Screw, 1/2-13 x 5-1/2 Hex Head Cap	1	158526
E8	Linkage, Pedal Horizontal	2	152112
E9	Screw, 3/8- 16 x 1 Hex Head Cap	2	152507
E10	Pedal, Shaft Tie	1	156259
E11	Linkage, Pedal Diagonal	2	152113
E12	Nut, 1/2- 13 Center Lock	1	156238
E13	Linkage, Pedal Vertical	2	152114
E14	Screw, 1/2 x 3/4 Socket Head Shoulder	4	156177
E15	Hook Bolt, Weldment, 5000 Block Saw	1	160141
F	Connecting Linkage	-	-
F1	Link, Front Connecting	2	156253
F2	Link, Rear Connecting	1	156252
F3	Joint, 1/2- 20 Female Spherical (RH)	4	154387

Item	Description	Qty	Part #
F4	Bolt, 1/2 x 1/2 Socket Head Shoulder	4	151753
F5	Screw, Adjustment	4	154433
F6	Nut, 1/2- 20 Jam	4	154460
F7	Bolt 5/16- 18 x 1 Hex HD	4	151743
F8	Washer, 5 /16 SAE Flat	4	151754
F9	Washer, 5/16 Split Lock	4	151747
F10	Nut, 5/16- 18, Hex HD	4	101196
F11	Nut, 1/2- 20 Jam (LH)	4	154461
G	Blade Shaft MK-5000	1	154636
G1	Casting, Blade Shaft MK-5000 (comp) Pin, Arbor Alignment	12	154637 153946
G2	Screw, 1/2- 20 x 1-1/4 Hex HD Cap	1	152122
G3	Flange, Blade Shaft Outer	1	132290
G4	Flange, Blade Shaft Inner	1	154640
G5	Bearing, Blade Shaft	2	154594
G6	Shaft, Blade 3/4 MK 5000	1	154639
G7	Pulley, 16J28X.75 Bore	1	160362
G8	Key, 3/16 x 3/16 x 1-1/8 Square	1	150344
G9	Washer, 5/16 SAE Flat	4	151754
G10	Screw, 5/16- 18 x 2-1/2, Hex HD	4	101675
G11	Washer, 5/16 Split Lock	4	151747
G12	Screw, 5/16- 18 x 3/16 Socket HD Set	4	151167
H	Blade Guard MK-5000	-	-
H1A	Casting, Blade Guard, MK-5000 (comp)20"	1	159674
H2	Elbow, 3/8 NPT 90 Brass Street	1	152074
H3	Nipple, 3/8 NPT x Close Brass	1	152073
H4	Valve, 3/8 Ball	1	152075
H5	Fitting, 3/8 MNPT x 3/8 BARB Brass	1	152076
H6	Guard, Splash	1	160310
H7	Screw, 1/4-20 x 5/8 Hex HD	1	150404
H8	Washer, 1/4 SAE Flat	1	151915
K	Belt Guard, Electric	-	-
K1	Casting, Belt Guard Inner (comp)	1	154634
K2	Casting, Belt Guard Outer (comp)	1	154635
K3	Washer, 3/8 SAE Flat	2	150923
K4	Washer, 3/8 Split Lock	2	150925
K5	Bolt, 3/8-16 x 2-1/2 Hex HD Tap	2	155589
K6	Bolt, 5/16-18 x 1-1/4 Hex HD Tap	3	151748
K7	Washer, 5/16 SAE Flat	3	151754
K8	Washer, 5/16, Split Lock	3	151747
K9	Belt, 16J610	1	156551

Item	Description	Qty	Part #
N	Assembly, 5000 Table	1	152124
N1	Casting, 5000 Table (comp)	1	152455
N2	Washer, 5/16 SAE Flat	4	151754
N3	Nut, 5/16-18 Hex	4	101196
N4	Wheel, Roller	4	152493
N5	Stud, Roller Wheel	4	152494
N6	Bolt, Carriage 7/16-14 x 1-1/4	2	152423
N7	Backstop, Rule Conveyor Cart	1	152126
N8	Washer, 7/16 Split Lock	2	152424
N9	Nut, 7/16-14 Hex	2	150922
N10	Casting, Squaring Arm (comp)	1	132332
N11	Nut, 5/16- 18 Square	1	151156
N12	Screw, Thumb, 5/16- 18 x 1-1/2	1	151155
N13	Wood Strip, Table Insert 5000	1	157748
N14	Screw, #6 X 1 Bugle Head Phillips Drywall	2	159906
N15	Mat, 5000 Table (large)	1	160165
N16	Mat, 5000 Table (small)	1	160166
N17	Nut, 1/4-20 Nylock	16	159857
N18	Washer, 3/8 SAE Flat	16	150923
P	Handles	-	-
P1A	Handle, Cutting Head 20"	1	155851
P2	Handgrip, 7/8"	1	139949
P3	Screw, 3/8- 16 x 1 Flat Socket HD Cap	2	154019
Q	Water Pump, Electric	-	-
Q1	Hose, Vinyl 1/2 ID x 3/4 OD x 6'	1	150845
Q2	Clamp, Hose 5/8	1	151198
Q3	Adapter 1/4 x 1/4 Pump TPF-22	1	128397
Q4A	Pump, 300GPH, 115V 60Hz	1	160509
R	Curtain	-	-
R1	Curtain, Splash, MK-500	1	160764
R2	Rod, Splash Curtain	1	160711
R3	Clamp, Cushion Loop	2	152592
R4	Screw, 1/4 - 20 x 3.4 Hex HD	2	152370
R5	Washer, 1/4 Flat SAE	2	151915
R6	Nut, Hex, Dep 1/4 - 20	2	153941

Item	Description	Qty	Part #
S	Accessory Pack	-	-
S1	Carton, Accessory Pack MK-5000	1	152432
S2	Insert, Accessory Pack MK-5000	1	152433
S3	Plug, Rubber Drain	1	153439
S4	Wrench, Masonry Saw	1	134056
S5	MK-5005S Owners Manual	1	158769
S6	Blade, MK-799DE	1	158237
T	Carton	-	-
T1	Carton, 5000	1	152994
T2	Pallet, 5000	1	152072
V	Motors	-	-
V1A	Motor, 5Hp, 208-230V, 60Hz, 1ph	1	159472
V2B	Pulley, 16J31 X 1.125 Bore	1	160412
V3	Nut, 3/8- 16 Hex	4	101188
V4	Screw, 3/8- 16 x 1-3/4 Hex Head Cap	4	150920
V5	Washer, 3/8 Split Lock	4	150925
V6	Washer, 3/8 SAE Flat	4	150923
V7	Washer, Sq. 1-1/4 x 1-1/4	4	157567
V8	Key, 1/4 x 1/4 x 1-3/4 Square	1	150796
V9	Screw, 5/16- 18 x 3/16 Socket HD Set	4	151167
W	Switch, Electrical, Single Phase	-	-
W1	Box, Elec, Top, 1-1/2, (Comp)	1	160870
W2	Cover, 30A Switch Box (Comp)	1	159539
W3	Lever, Actuator, 30A Switch Box (Comp)	1	159540
W4	Plate, Mounting, 30A Switch	2	159489
W5	Lever, On/Off, 30A Switch Box	1	159490
W6	Bushing, Nylon, 30A Switch Box	1	158799
W7	Seal, Urethane, 30A Switch Box	1	159492
W8	Gasket, 30A Switch Box	1	159491
W9	Switch, 30A/2HP/120V/DPST	1	159488
W10	Connector, Cord LTF 29	1	160689
W11	Screw, 6-32 X 5/16 Flat Head Phillips Machine	6	159493
W12	Screw, 10-24 X 1/4 Pan Head Phillips Machine	1	159494
W13	Screw, 6-32 X 5/8 Pan Head Phillips Machine	4	157393
W14	Screw, 10-24 X 5/16 Slotted Hex Washer Head Grounding	1	159597
W15	Washer, #10 SAE Flat	1	154369

ACCESSORIES

Item	Number	Description	
1.	150379 150380 150381	MK-434D, 14" Premium Dry Cutting Blade MK-434D, 18" Premium Dry Cutting Blade MK-434D, 20" Premium Dry Cutting Blade	
2.	128710 128728 128736	MK-50S, 14" Premium, Wet Cutting, Blade MK-50S, 18" Premium, Wet Cutting, Blade MK-50S, 20" Premium, Wet Cutting, Blade	
3.	152205 156426 152740	MK-799D, 14" Standard Dry Cutting Blade MK-799D, 18" Standard Dry Cutting Blade MK-799D, 20" Standard Dry Cutting Blade	
4.	152493	Roller Wheel	
5.	157748	Protective Wooden Strip	

ORDERING INFORMATION

You may order MK Diamond products through your local MK Diamond distributor or, you may order direct from MK Diamond.

When ordering direct from MK Diamond, please have the following information ready before calling:

- The Model Number of the saw
- The Serial Number of the saw
- Where the saw was purchased and when
- The Part Number for the part(s) being ordered
- The Part Description for the part(s) being ordered

NOTE: There is a \$25.00 minimum order when ordering direct from MK Diamond. A \$5.00 charge will be added to orders having a net billing value under \$50.00. All purchases must be made using VISA, MasterCard or American Express.

All parts may be ordered by calling toll free to – 800 421-5830 or 310 539-5221 and asking for Customer Service. For technical questions, call – 800 474-5594.

RETURN MATERIALS POLICY

To expedite the service relative to the return of a product purchased through MK Diamond, please observe the following:

NOTE: When returning all items, they must have been purchased within the previous twelve (12) months.

- Have the Model Number of the saw
 - Have the Serial Number of the saw
 - Have the location of where the saw was purchased
 - Have the date when the saw was purchased
 - Contact Customer Service for approval to return the item(s)
 - Obtain a Returned Goods Number (RGA) authorizing the return
 - Follow the packaging instructions in the following section
 - Ensure your item(s) are prepaid to the destination
- For returned items, call toll free to – 800 421-5830 or 310 539-5221 and ask for Customer Service. For technical questions, call – 800 474-5594 or 310 257-2845.

PACKAGING INSTRUCTIONS

- Remove the Cutting Head and Support Angle Assembly
- Dry the saw before shipping
- When packing, include the following: Saw, Diamond Blade, Blade Guard and Support Angle Assembly and Adjustable Cutting Guide (Other Accessories are not required)
- Package the unit in its original container or one of comparable size (do not ship the unit partially exposed)
- Ensure all parts are secured in the packaging to prevent moving

AUTHORIZED SERVICE CENTERS

For quicker repair time, you may contact MK Diamond Customer Service, toll free, at 800 421-5830 or 310 539-5221 for the Authorized Service Center closest to you or visit our web site at www.mkdiamond.com. For technical questions, call – 800 474-5594.

CONTACT:

Please contact MK Diamond Products, Inc. Customer Service Department with any questions you might have regarding distributors, parts or service.

Telephone: **(800) 421-5830**

Fax: **(310) 539-5158**

E-mail: **Customer_Service@MKDiamond.com**

Customer Service Hours: **Monday through Friday, 6AM-4PM PST**

MK Diamond Products, Inc.

1315 Storm Parkway

Torrance, CA 90501

MK DIAMOND PRODUCTS, INC. LIMITED WARRANTY

MK DIAMOND PRODUCTS, INC. will guarantee every machine they build, to be free from defects in material and workmanship for (1) one year from date of purchase. The obligation of MK DIAMOND PRODUCTS, INC. under this warranty is limited to the repair or replacement of any parts which, under normal use, prove to be defective in material or workmanship. The parts involved or the unit in question should be returned to MK DIAMOND PRODUCTS, INC. or to a point designated by us, transportation prepaid.

This warranty does not obligate us to bear the cost of labor or transportation charges in connection with replacement or repair of defective parts. Likewise, it shall NOT apply to any unit which has been subjected to misuse, neglect or accident. This warranty does NOT apply to any machine which has been repaired or altered outside our factory.

This warranty does NOT obligate MK DIAMOND PRODUCTS, INC., with respect to items not of our manufacture, such as engines, motors, hydraulics, etc., which are subject to their own guarantees and warranties.

We shall in no event be liable for consequential damages or contingent liabilities arising out of failure of any equipment or parts to operate properly.

© COPYRIGHT 2012, MK DIAMOND PRODUCTS, INC. ALL RIGHTS RESERVED.

The MK Diamond logo is a registered trademark of MK Diamond Products, Inc. and may not be used, reproduced, or altered without written permission. All other trademarks are the property of their respective owners and used with permission.

MK Diamond may have patents, patent applications, trade marks, copyrights of other intellectual property right covering this product in this document.

This manual MUST accompany the equipment at all times. This manual is considered a permanent part of the equipment and should remain with the unit if resold.

The information and specifications included in this publication were in effect at the time of approval for printing.

MK-5005S BLOCK SAW
OWNER'S MANUAL & OPERATING INSTRUCTIONS



MK Diamond Products, Inc.

MK Diamond Products, Inc.
1315 Storm Parkway
Torrance, CA 90501

Toll-Free: (800) 421-5830
Phone: (310) 539-5221
Fax: (310) 539-5158
www.mkdiamond.com