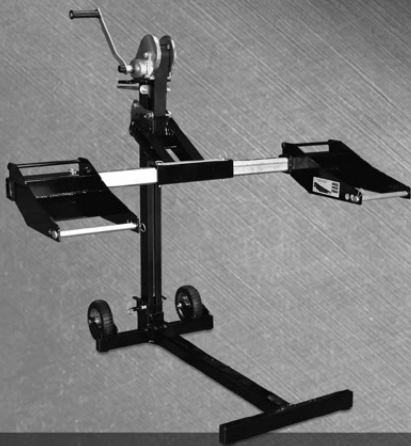


MoJack^{PRO}™



Instructions for Assembly and Operation

Instrucciones para la Asamblea y de la Operación

Directive d'assemblage et d'utilisation



MoJack[®]

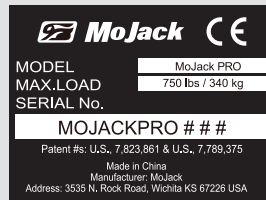
Make it Happen. Make it MoJack.™

www.theMoJack.com

1-877-575-3173

Ver. 111716

Introduction



This manual contains assembly, parts, operating, maintenance, adjustment and safety instructions for your MoJack PRO lift.

BEFORE USING YOUR MOJACK PRO, CAREFULLY READ THIS MANUAL IN ITS ENTIRETY.

By following these operating, maintenance and safety instructions, you will prolong the life of your MoJack lift and promote safe operation.

If additional information is needed, or should you require a trained service mechanic, contact your authorized MoJack equipment dealer or distributor.

All MoJack parts are thoroughly tested and inspected before leaving the factory to ensure that they comply with all relevant safety standards.

NOTE: Please save this manual for future reference.

NOTE: Location of unit Serial Number.

Need Assistance?

Please **DO NOT** return this product to the store.

Our Customer Service Department is ready to help!
1-877-575-3173

¿Necesita ayuda?

¡NO devuelva este producto a la tienda!

¡Nuestro Departamento de Servicio de Atención al Cliente está listo para ayudarle!
1-877-575-3173

Besoin d'assistance ?

NE renvoyez PAS ce produit au magasin .

Notre service clientèle est là pour vous aider !
1-877-575-3173

Submit your questions online at:
Envie sus preguntas por Internet a:

Vous pouvez également transmettre votre question en ligne à l'adresse suivante :

www.theMoJack.com






















Patent No. 7,823,861 and No. 7,789,375.

© 2011 MoJack Distributors, LLC.

MoJack and the MoJack logo are registered trademarks of MoJack Distributors, LLC.

MoJack PRO is a trademark of MoJack Distributors, LLC. All rights reserved.

Warnings and Safety Instructions

-  Read and understand all safety and operating instructions before using the MoJack PRO.
-  Never allow anyone unfamiliar with the safety or operating instructions to use the MoJack PRO.
-  Follow all safety and servicing instructions provided by the lawn mower's manufacturer before using the MoJack PRO.
-  Do not modify the MoJack in any way. Any modifications will void any and all warranties and could compromise your personal safety.
-  When using the MoJack PRO, keep ALL bystanders at a safe distance away from the MoJack PRO.
-  The MoJack PRO must be used on a solid level surface.
-  Do not lift the front end and the back end of the mower at the same time.
-  Do not use MoJack PRO lift for anything other than a mower, unless the proper accessory is used.
-  Always stop engine and remove key before beginning any work on the mower.
-  Never operate the mower's engine while using the MoJack PRO.
-  Do not exceed the lifting capacity of 750 lbs.
-  If the MoJack PRO Tower is leaning while lifting or lowering the mower, this indicates an overload condition. Remove the mower immediately.
-  Tower must be locked in place with the Tower Locking Pin before using the MoJack PRO.
-  Do not remove safety warnings or decals from MoJack PRO.
-  Before each use, always check for any worn, loose or damaged parts on the MoJack PRO. If any damaged parts are present, do not use the MoJack PRO and contact MoJack at 1-877-575-3173.
-  Do not climb on mower while it is lifted, being lifted or being lowered.
-  No one should be on the mower while it is lifted, being lifted or being lowered.
-  After the mower is raised to a working height, always place wheel chocks (not included) behind the back tires of the mower.
-  Wheel Pads must be equal distance from the Lift Arm to maintain proper balance.
-  Remove all mower attachments before using the MoJack PRO.
-  Failure to follow these warnings may result in property damage and serious bodily injury or death.

IMPORTANT: The MoJack PRO is intended for use with riding lawn mowers and riding lawn tractors only. Do not exceed 750 lbs. It should never be used to service other types of machinery unless there is an approved MoJack accessory fitted for the type of machinery. Please consult your local MoJack dealer or distributor.

Warranty and Returns

LIMITED WARRANTY

This warranty protects the lift frame against failure due to defect in material or workmanship when product is used properly for two years of residential use and one year of commercial use. The lift winch is warranted against failure due to defect in material or workmanship for one year of proper use. MoJack will replace any defective part at no cost. This warranty does not cover any product that has been altered or adjusted, or any product that has been misused or abused. THIS IS THE CUSTOMER'S SOLE AND EXCLUSIVE REMEDY. MOJACK DISCLAIMS ALL IMPLIED WARRANTIES, INCLUDING THE WARRANTY OF MERCHANTABILITY AND FITNESS FOR A PARTICULAR PURPOSE. MOJACK SHALL NOT BE LIABLE FOR ANY INCIDENTAL OR CONSEQUENTIAL DAMAGES. SOME STATES OR PROVINCES DO NOT ALLOW THE EXCLUSION OR LIMITATION OF THE IMPLIED WARRANTIES OR THE REMEDIES FOR BREACH OF THE IMPLIED WARRANTIES, SO THESE EXCLUSIONS MAY NOT APPLY TO YOU. THIS LIMITED WARRANTY GIVES YOU SPECIFIC LEGAL RIGHTS, AND YOU MAY ALSO HAVE OTHER RIGHTS WHICH VARY FROM STATE TO STATE OR PROVINCE TO PROVINCE.

What does this warranty cover?

This warranty covers against a failure due to a defect in material or workmanship. It includes a one-year warranty on the lift winch from the date of purchase. The lift frame includes a two-year warranty from date of purchase for residential use, and a one-year warranty from date of purchase for commercial use.

What does this warranty NOT cover?

This warranty does not cover any MoJack which has been altered or adjusted in any way from its original model. It will not cover any MoJack which has been damaged due to misuse, abuse, accident or negligence. This warranty does not cover incidental or consequential damages.

What is the period of coverage?

One-year warranty on lift winch from date of purchase for the original owner. Two-year warranty on lift frame for residential use, one-year warranty on lift frame for commercial use from date of purchase for the original owner.

What will MoJack do to correct problems?

We will replace any defective part (within the coverage period) at no charge.

How can I get service?

In order to be eligible for service under this warranty you MUST register your MoJack within thirty (30) days of purchasing. You must keep your receipt as proof of date of sale. You can register your new MoJack on our website at www.themojack.com or by calling our toll-free number 1-877-575-3173.

How do I contact MoJack about a warranty issue?

You can contact us from our website at www.themojack.com or by calling our toll-free number 1-877-575-3173.

Do I have other rights under State Law?

This warranty gives you specific legal rights, and you may also have other rights which vary from state to state.

What is the return policy?

Within thirty (30) days of the date that you receive your MoJack. Please contact MoJack for return policies and procedures at our toll-free number 1-877-575-3173 or by email at info@themojack.com.

How do I make a return?

Contact us within the return period. We will issue you a Return Merchandise Authorization (RMA) to place on the outside of the box. All merchandise must be shipped back in its original packaging. We will make arrangements for the MoJack to be picked up by a national carrier.

In what form will I receive my refund?

This is at our discretion. If receiving a refund, please allow four weeks for the credit to process to your account. Return service fees will be deducted from the amount of the refund.

Are shipping charges refundable?

No.

Does MoJack have a return service fee policy?

Yes. Returns and refunds impose an extra workload on our parts. Rather than pass this cost on to the customer through higher product prices, we are consistent with others within our industry by requiring nominal service fees in the event of returns. The service fee is 20%.

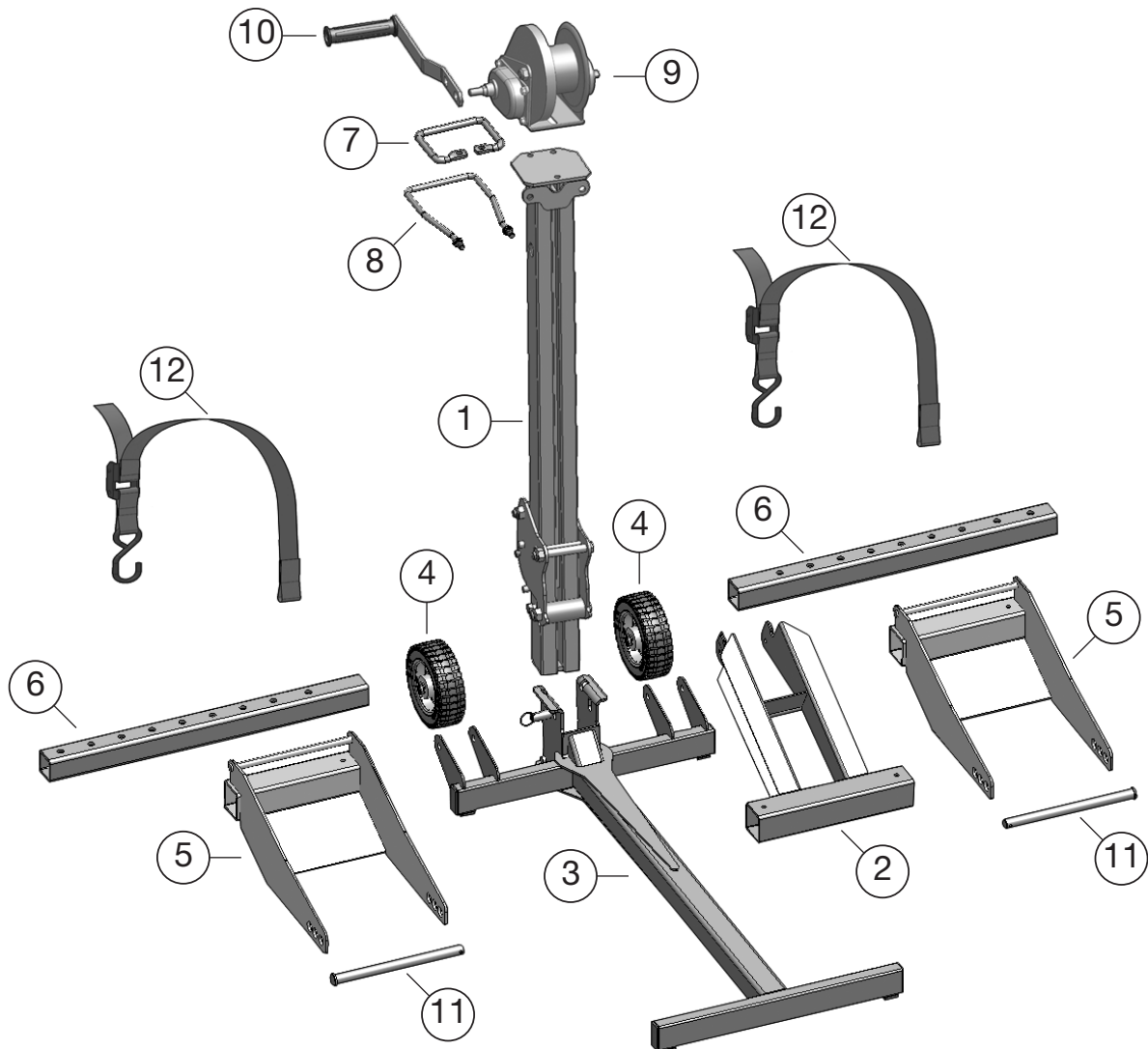
How do I contact MoJack?

You can call our toll-free number 1-877-575-3173 or by email at info@themojack.com.

Parts List

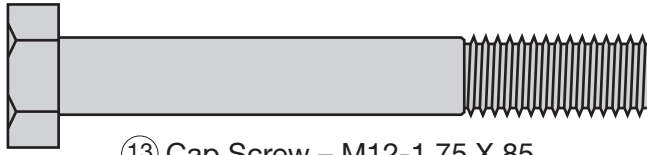
Item No.	Qty.	Description
①	1	Tower
②	1	Lift Arm
③	1	Base
④	2	Wheel
⑤	2	Wheel Pad
⑥	2	Lift Arm Insert

Item No.	Qty.	Description
⑦	1	Grip Handle
⑧	1	Ratchet Release Handle
⑨	1	Winch
⑩	1	Winch Handle
⑪	2	Support Rod
⑫	2	Safety Strap



Hardware List

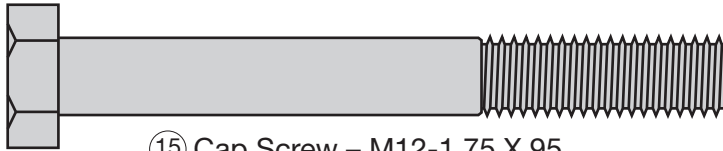
Item No.	Qty.	Description	Item No.	Qty.	Description
⑬	2	Cap Screw – M12-1.75 x 85	⑲	1	Winch Handle Washer – 12mm
⑭	4	Nylock Nut – M12-1.75	⑳	1	Clevis Pin
⑮	1	Cap Screw – M12-1.75 x 95	㉑	4	Push Pin
⑯	3	Cap Screw – M10-1.5 x 30	㉒	3	Hair Pin
⑰	5	Nylock Nut – M10-1.5	㉓	1	Cap Screw – M14-2.0 x 100
⑱	3	Winch Washer – 10mm	㉔	1	Nylock Nut – M14-2.0



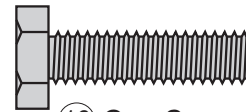
⑬ Cap Screw – M12-1.75 X 85



⑭ Nylock Nut – M12-1.75



⑮ Cap Screw – M12-1.75 X 95



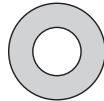
⑯ Cap Screw – M10-1.5 X 30



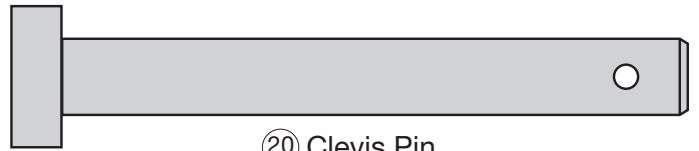
⑰ Nylock Nut – M10-1.5



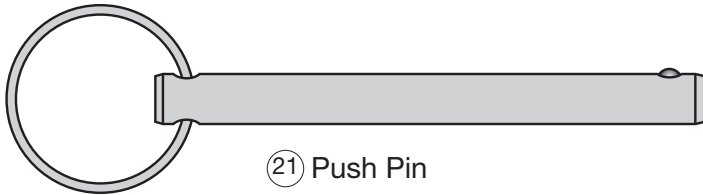
⑱ Winch Washer – 10mm



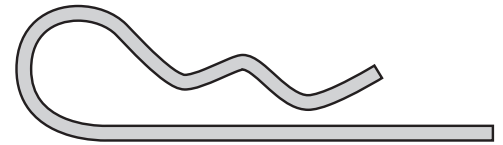
⑲ Winch Handle Washer – 12mm



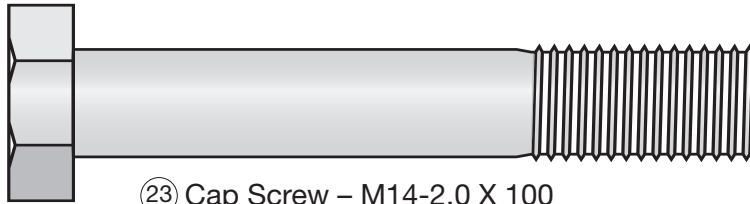
⑳ Clevis Pin



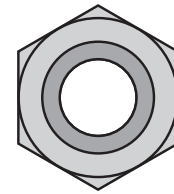
㉑ Push Pin



㉒ Hair Pin

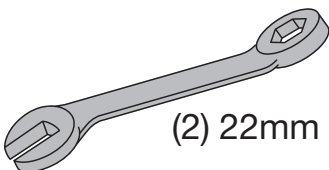


㉓ Cap Screw – M14-2.0 X 100

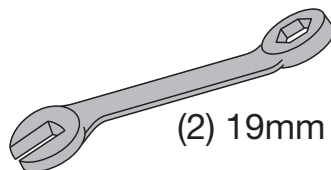


㉔ Nylock Nut – M14-2.0

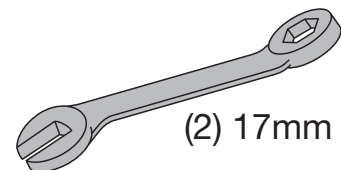
Tools Needed for Assembly



(2) 22mm Wrench



(2) 19mm Wrench



(2) 17mm Wrench

Assembly Instructions

STEP 1

Remove MoJack PRO from package.

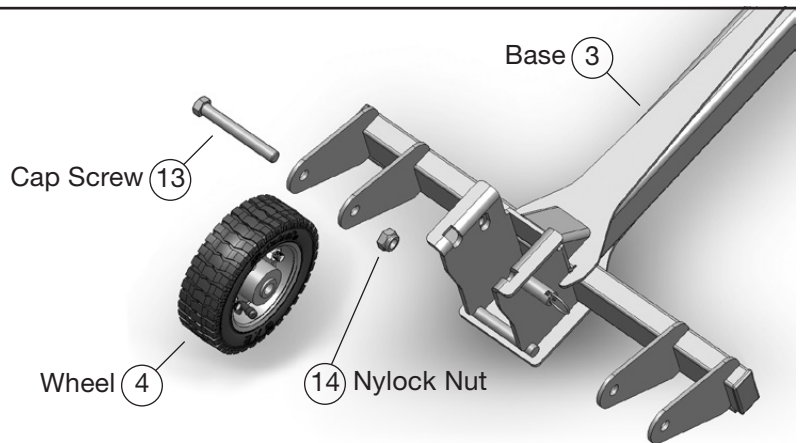
Inventory items to be certain all parts and hardware are present. If any parts or hardware are missing, please contact MoJack at 1-877-575-3173 or email us at parts@themojack.com.



STEP 2

Assemble the Wheel (4) to the Base (3) by inserting Cap Screw (13) and Nylock Nut (14) and tighten. Repeat with second Wheel.

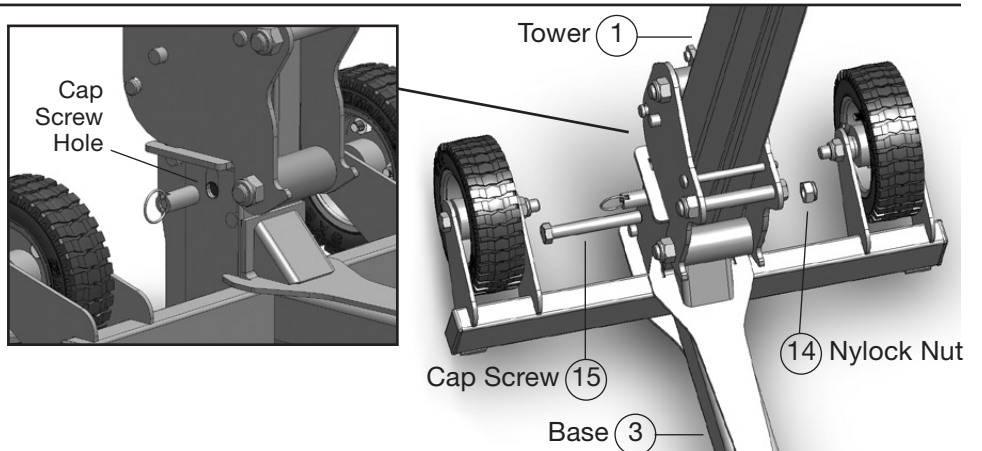
Note: Do not over tighten Nylock Nut.



STEP 3

Attach the Tower (1) to the Base (3) using Cap Screw (15) and Nylock Nut (14) as shown.

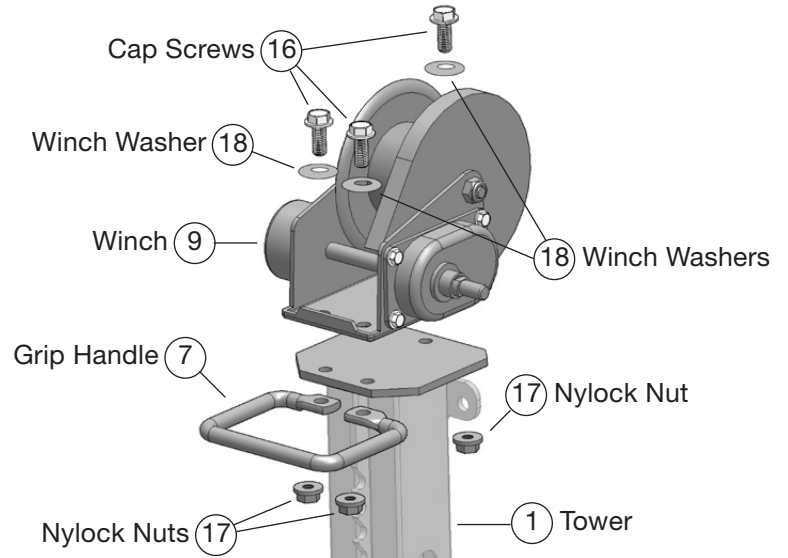
Note: Do not over tighten Nylock Nut.



Assembly Instructions

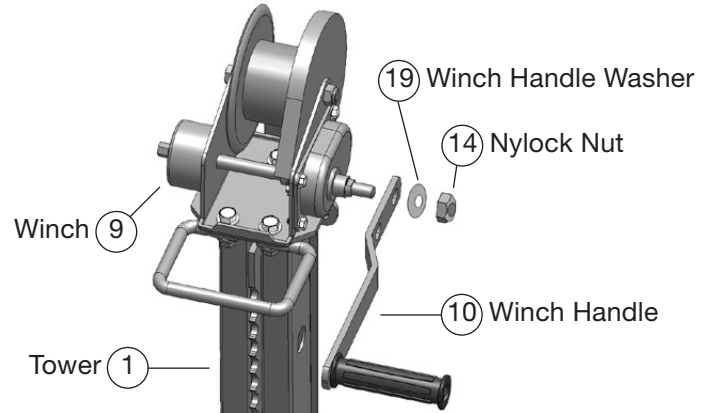
STEP 4

Attach the Winch (9) and Grip Handle (7) to the Tower (1) using Cap Screws (16), Nylock Nuts (17) and Winch Washers (18), and tighten as shown.



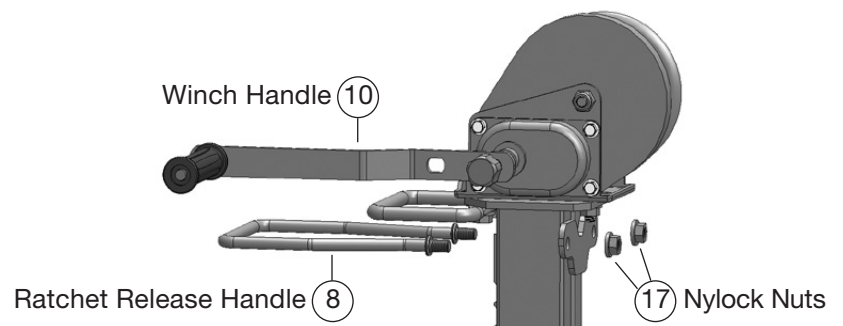
STEP 5

Attach Winch Handle (10) to Winch (9) using Nylock Nut (14) and Winch Handle Washer (19) and tighten as shown.



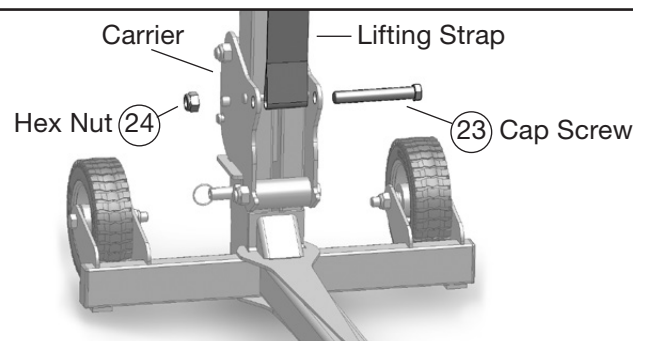
STEP 6

Attach the Ratchet Release Handle (8) to the top of the Tower (1) using Nylock Nuts (17) and tighten as shown.



STEP 7

Attach Lifting Strap from Winch Spool to the Carrier using Cap Screw (23) and Nylock Nut (24) and tighten as shown.

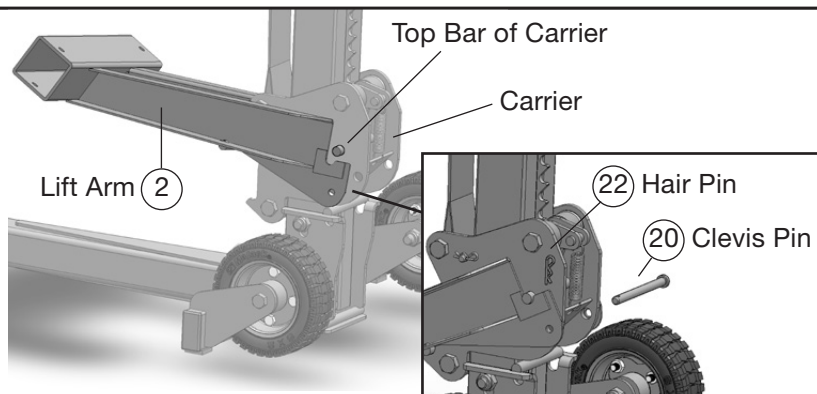


Note: Do not over tighten Nylock Nut.

Assembly Instructions

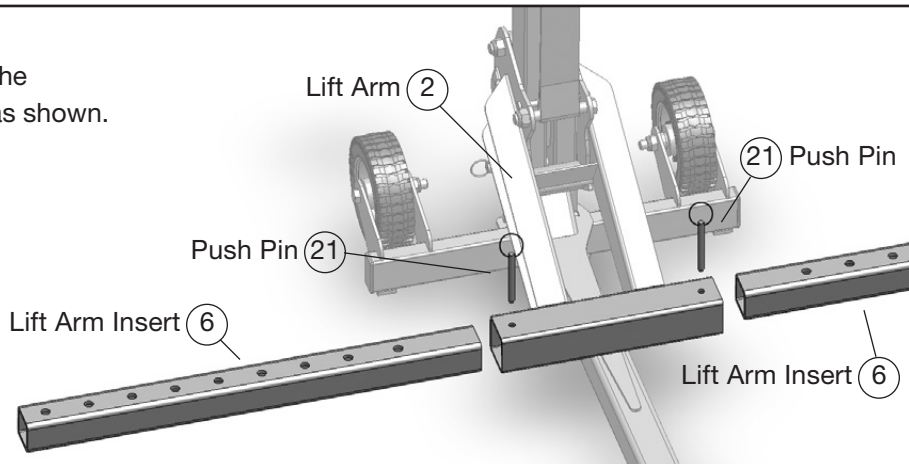
STEP 8

Hang the Lift Arm (2) on the Carrier by hooking the slotted area of the Lift Arm under the top bar of the Carrier. Lift Arm must be inserted from the front and then lowered which fastens Lift Arm into place. Insert Clevis Pin (20) through the hole in the Carrier and lock by fastening the Hair Pin (22) to the Clevis Pin.



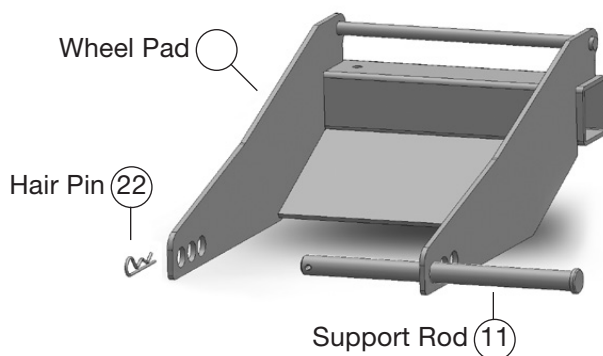
STEP 9

Slide Lift Arm Inserts (6) into both sides of the Lift Arm (2) and secure with Push Pins (21) as shown.



STEP 10

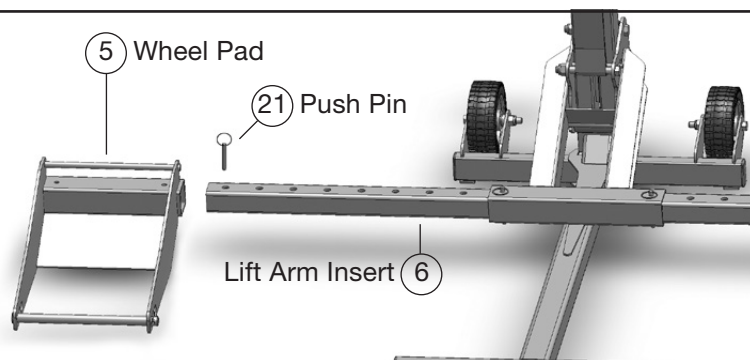
Ready the Wheel Pads (5) for installation by adding Support Rods (11) and Hair Pins (22).



STEP 11

Slide the Wheel Pads (5) onto both sides of the Lift Arm Inserts (6) and secure with Push Pins (21).

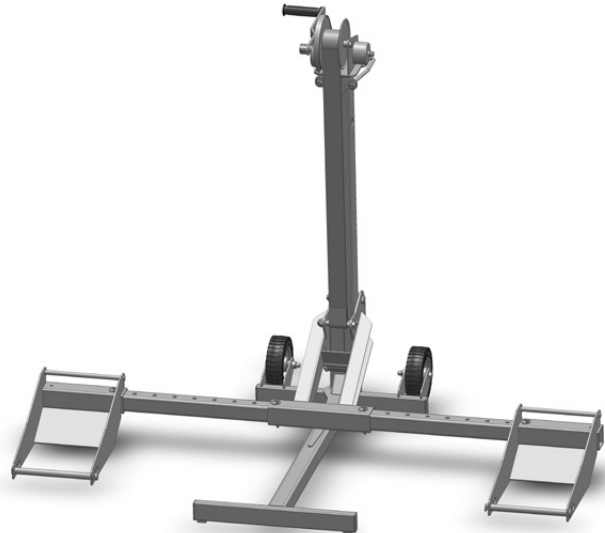
Note: The Wheel Pads can be moved in or out to fit different mower widths. Use the configuration that works best with your model of lawn mower.




THIS COMPLETES ASSEMBLY.

Operating Instructions

Some steps of the Operating Instructions are repeated from the Assembly Instructions. The Operating Instructions will show a full working cycle of the MoJack PRO.



 Before using the MoJack PRO, carefully read this manual in its entirety.

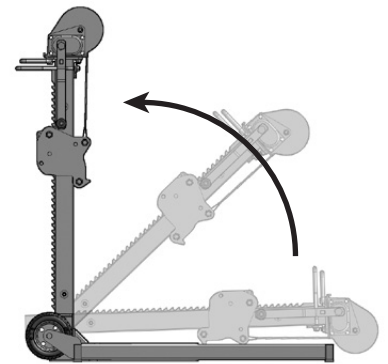
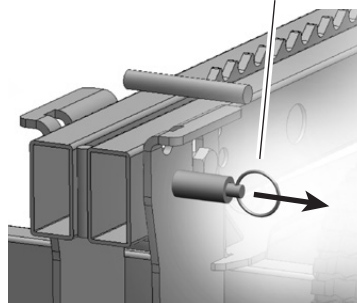
Preparing the MoJack PRO for Use (Steps 1 - 8)

STEP 1

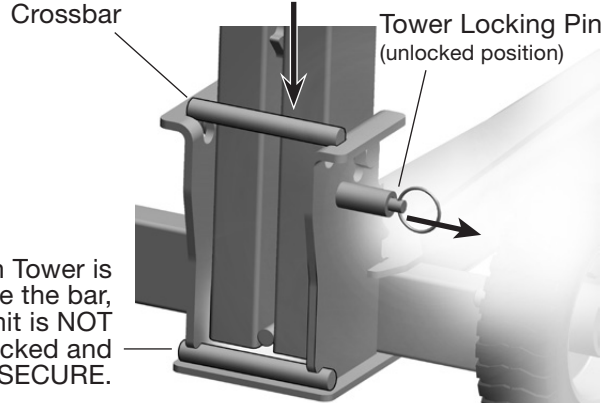
Unfolding MoJack PRO

- Pull locking pin out to unlock.
- Raise the Tower by pulling up on the Grip Handle. Once the Tower is in the vertical position, lift up on the Grip Handle and drop the Tower into the Base.
- The tower will be securely locked in place when the locking pin retracts and the tower is snug in the channel behind the crossbar.

Tower Locking Pin
(unlocked position)

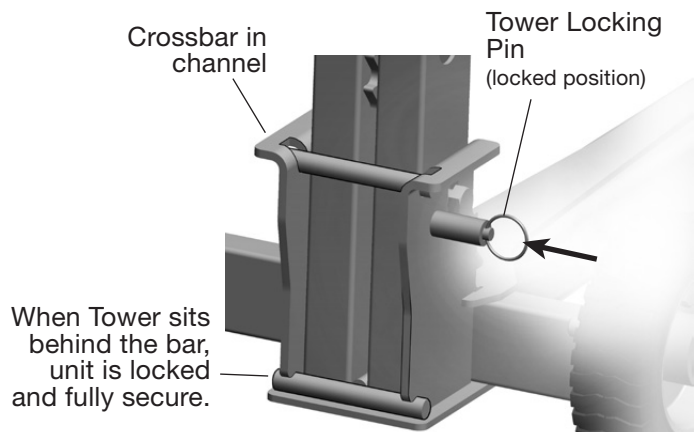


Drop Tower into Base



When Tower is above the bar, unit is NOT locked and UNSECURE.

Crossbar in channel



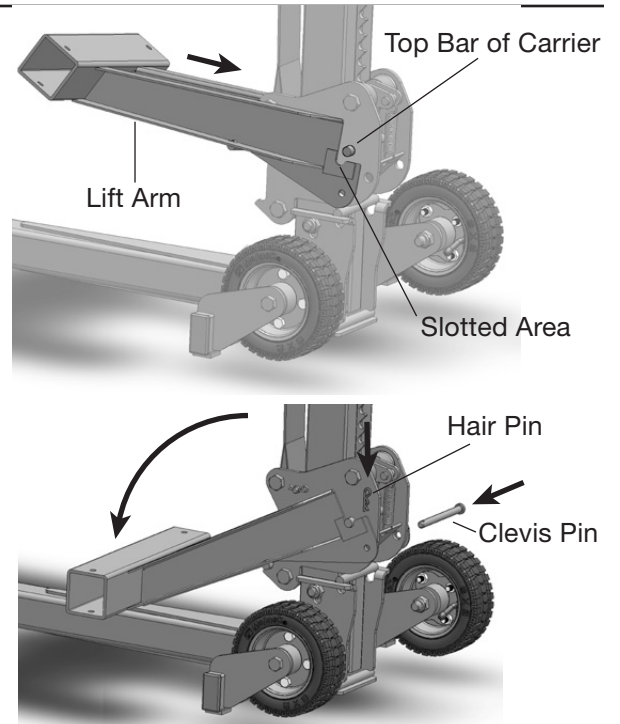
When Tower sits behind the bar, unit is locked and fully secure.

Operating Instructions

STEP 2

Installing Lift Arm

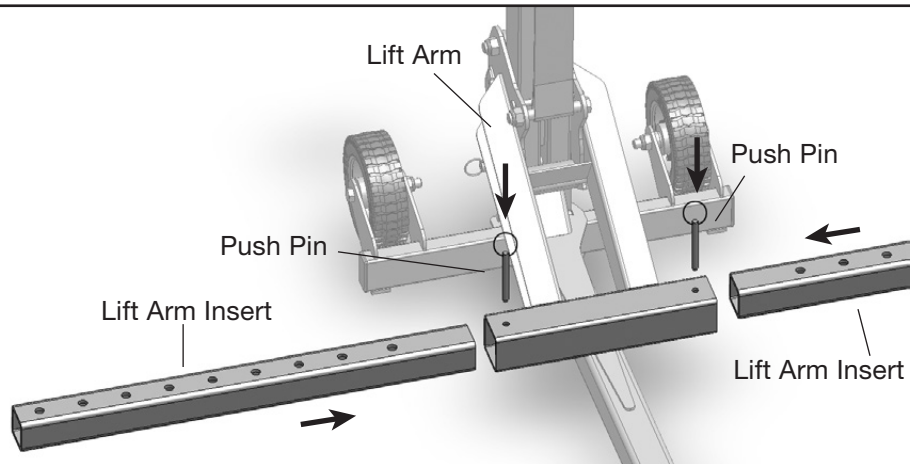
- Hang the Lift Arm on the Carrier by hooking the slotted area of the lift Arm under the top bar of the Carrier. Lift Arm must be inserted from the front and then lowered which fastens Lift Arm into place.
- Secure Lift Arm to Carrier with Clevis Pin and Hair Pin.



STEP 3

Installing Lift Arm Inserts

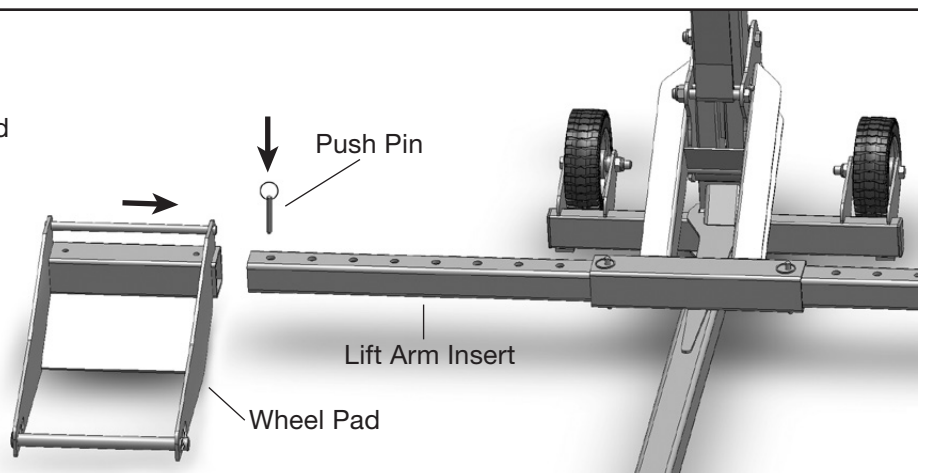
- Slide Lift Arm Inserts into both sides of the Lift Arm and secure with Push Pins.



STEP 4

Installing Wheel Pads

- Slide Wheel Pads onto Lift Arm Inserts and temporarily secure with Push Pins.

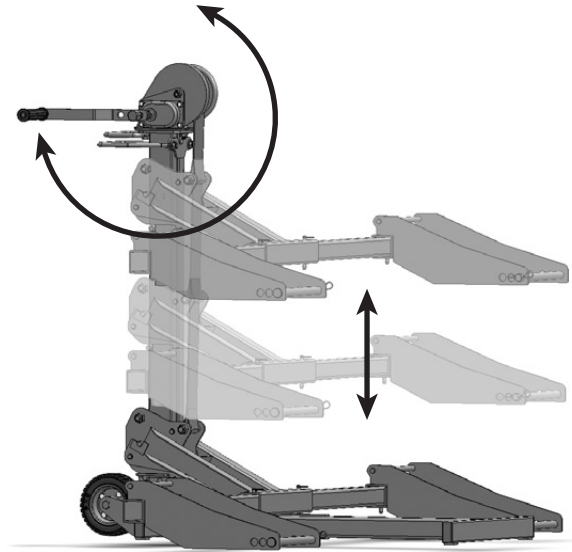


Operating Instructions

STEP 5

Familiarize Yourself with the MoJack PRO

- Practice raising and lowering the Lift Arm before attempting to lift the mower. (see Steps 9-16 on how to raise and lower the Lift Arm)
- Practice Step 21 if you intend to raise or lower the mower with the drill attachment.

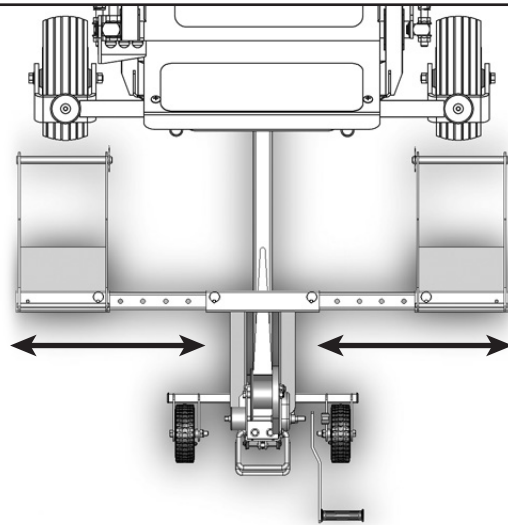


STEP 6

Aligning Wheel Pads to Fit the Mower

- Place the front tires of mower 6" in front of the Wheel Pads.
- Remove Push Pins and align the Wheel Pads so that the front mower tires will be centered on the Wheel Pads.
- Replace the Push Pins to lock the Wheel Pads to the Lift Arm.

⚠ Wheel Pads must be equal distance from the Lift Arm to maintain proper balance.



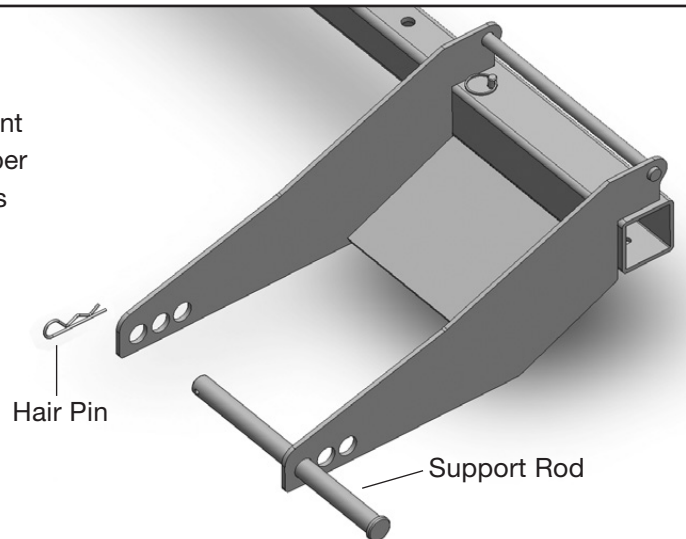
STEP 7

Adjusting Support Rods for Proper Tire Size

- Adjust Support Rods on Wheel Pads to accommodate the front tire size of the mower. Please refer to the chart below for proper Support Rod placement based on the diameter of the mower's front tires.
- Secure Support Rods to Wheel Pads with Hair Pins.

SUPPORT ROD GUIDE FOR TIRE SIZES	
10" - 11.5" (25cm - 29cm)	
12" - 15" (30cm - 38cm)	
15.5" - 17" (39cm - 44cm)	

See page 19 for more more detailed guide.

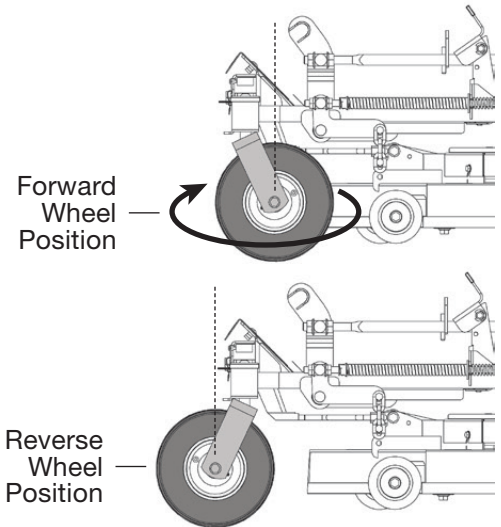


Operating Instructions

STEP 8

Reverse Front Tires of Mower (optional – if not applicable, skip to Step 9)

- In some cases, the mower deck or anti-scalping wheels will hit the Lift Arm while the mower is being raised. This is often the case if part of the deck (including the anti-scalping wheels) protrudes past the center line of the front wheels of the mower.
- Rotate the front tires 180° so that they are in the reverse position.
- Remove the Support Rods from the Wheel Pads and slide the MoJack PRO underneath the mower.
- Secure the Support Rods to Wheel Pads with Large Hair Pins.

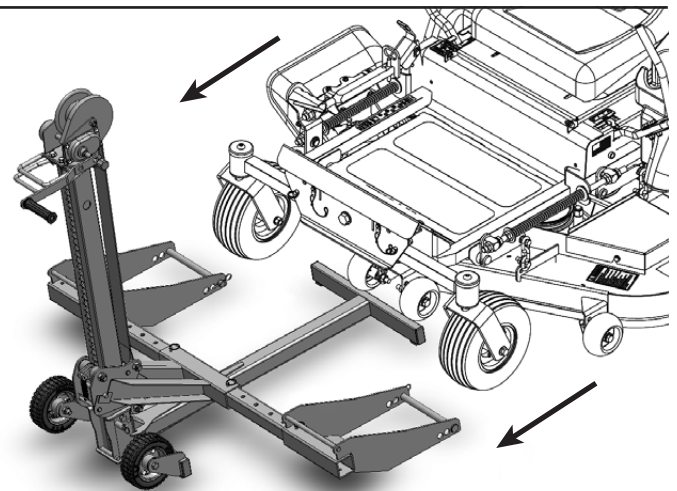


Using the MoJack PRO (Steps 9 - 16)

STEP 9

Move Mower onto MoJack PRO

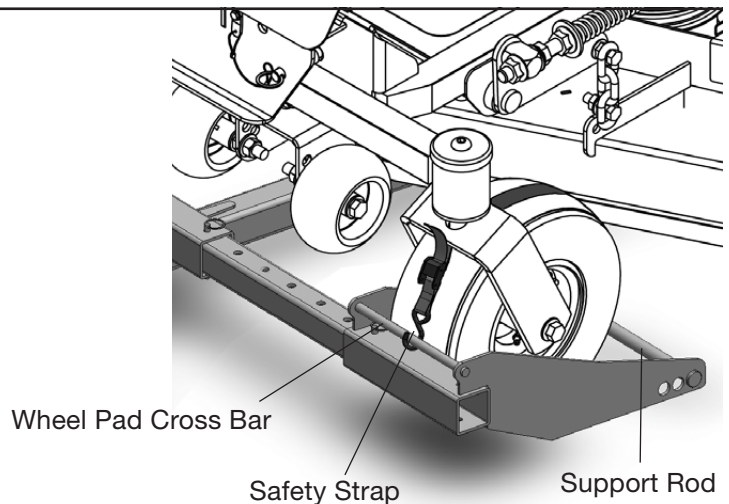
- ⚠ The MoJack PRO must be used on a solid level surface.
- Drive or roll the mower onto the Wheel Pads.
- ⚠ Stop engine and remove the key.



STEP 10

Strapping Front Mower Tires to Wheel Pads

- Secure the front mower tires to the Wheel Pads using the Safety Straps (14) Secure the hook on the Safety Strap to the Wheel Pad Cross Bar and insert the Support Rod into the loop on the Safety Strap by detaching the Support Rod and then sliding the Safety Strap Loop through and reattaching the Support Rod.
- Tighten the Safety Straps over the top of the tires to secure mower to Wheel Pads.

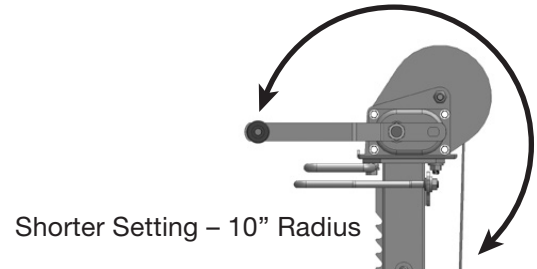
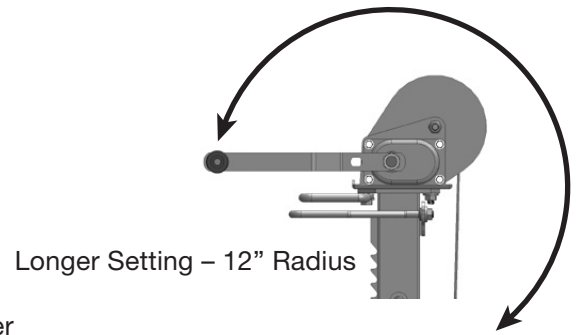
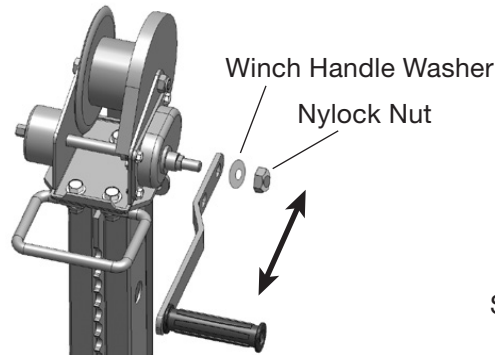


Operating Instructions

STEP 11

Adjusting the Winch Handle *(optional)*

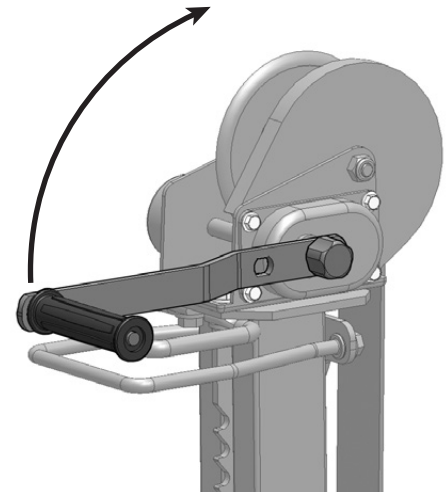
- The optimal Winch Handle length is in the longer setting. Some mowers have brush guards or larger hoods that interfere with the longer Winch Handle. The Winch Handle can be adjusted by removing the Nylock Nut and Winch Handle Washer and re-attaching in the shorter setting.



STEP 12

Raising the Mower

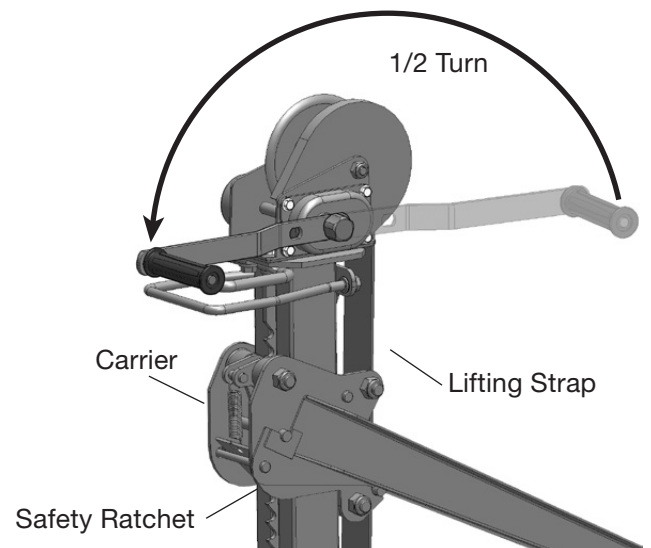
- Raise the mower by rotating the Winch Handle clockwise.
- See Step 21 for raising the mower with drill attachment.
- ⚠ Do not attempt to lift more than 750 lbs.
- ⚠ The MoJack PRO must be used on a solid level surface.
- ⚠ The engine must be turned off and key removed.
- ⚠ The mower must be in neutral.
- ⚠ The parking brake must be off when raising and/or lowering the mower.
- ⚠ The Safety Straps must be firmly tightened.



STEP 13

Locking Carrier into the Safety Ratchet

- As the Carrier raises, the clicking sound indicates that the Safety Ratchet is functioning properly. Once the mower is at the desired working height, rotate the Winch Handle counterclockwise 1/2 turn to release the tension off of the Lifting Strap and allowing the Carrier to rest firmly on the Safety Ratchet.

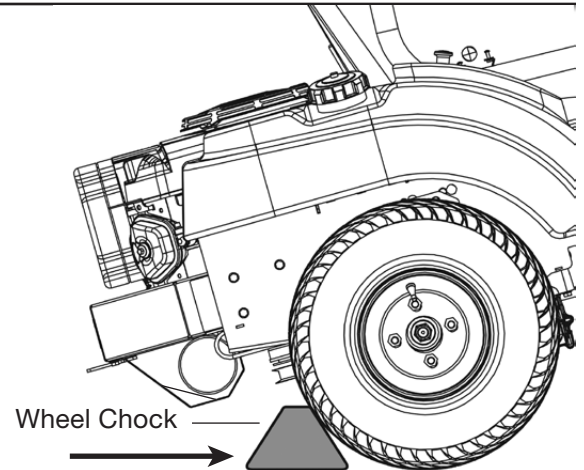


Operating Instructions

STEP 14

Preparing the Mower for Service

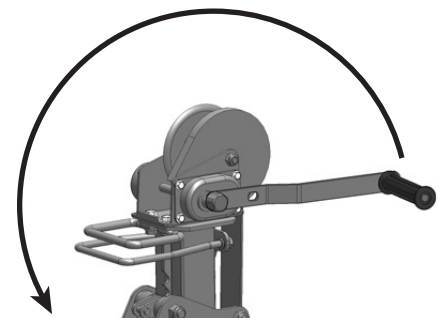
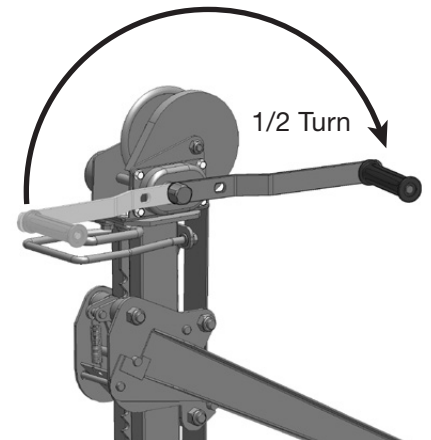
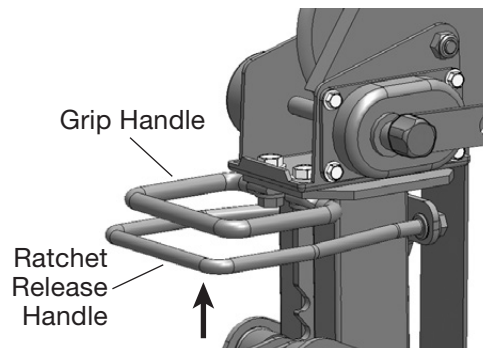
- Place wheel chocks (not included) behind the back tires of the mower.
- Now apply the parking brake on the mower.



STEP 15

Lowering the Mower

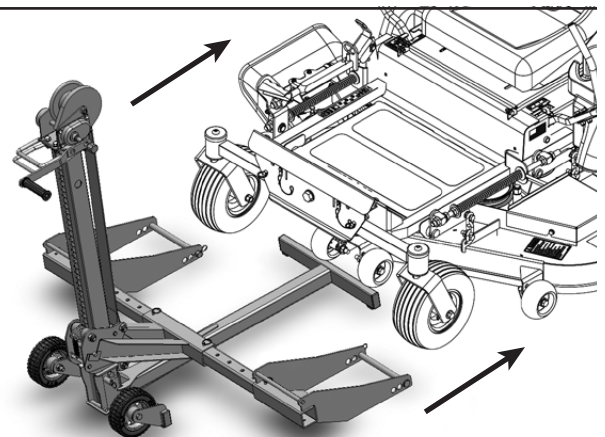
- Remove wheel chocks.
- Release the parking brake.
- Mower must be in neutral.
- Rotate the Winch Handle 1/2 turn clockwise while squeezing the Grip Handle and Ratchet Release Handle together. Keeping the Grip and Ratchet Release Handles squeezed together, turn the Winch Handle counterclockwise until the Wheel Pads are firmly on the ground.



STEP 16

Removing the Mower from the MoJack PRO

- Remove the Safety Straps from front mower tires.
- Removing Support Rods is optional during this step.
- Drive or roll the mower off of the Wheel Pads.



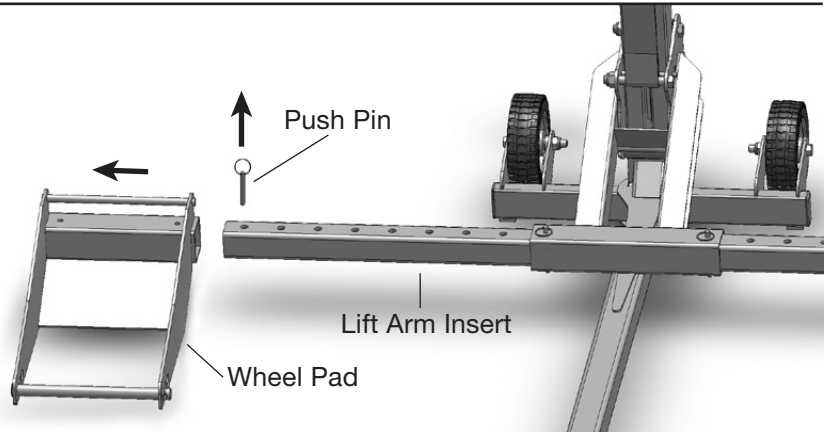
Operating Instructions

Preparing the MoJack PRO for Storage (Steps 17 - 20)

STEP 17

Removing the Wheel Pads

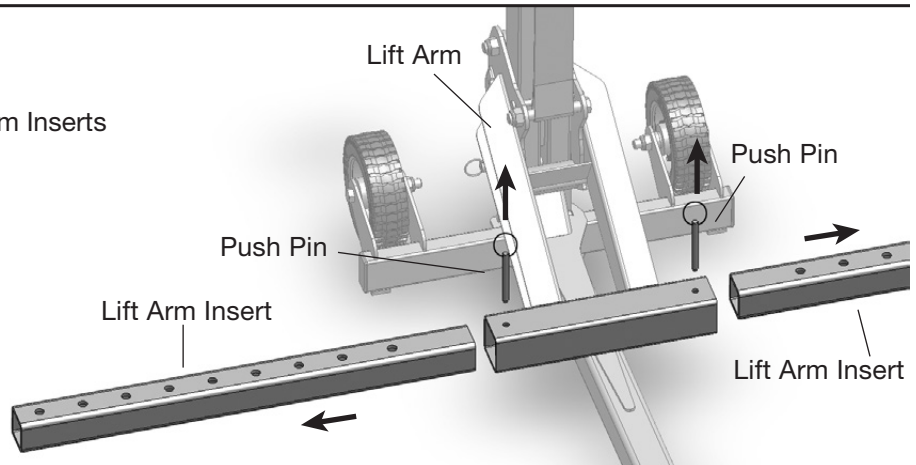
- Remove Wheel Pad Push Pins and pull Wheel Pads out from the Lift Arm Inserts.
- Store the Push Pins in the Wheel Pads.



STEP 18

Removing Lift Arm Inserts

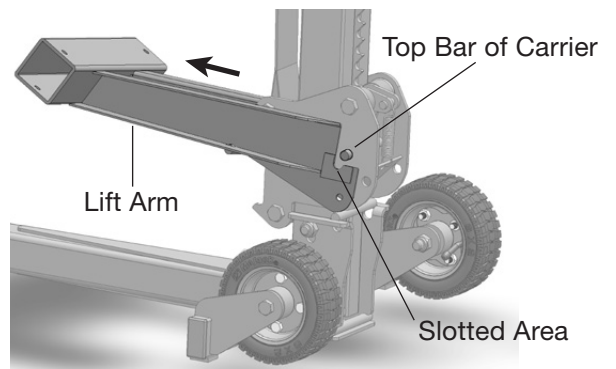
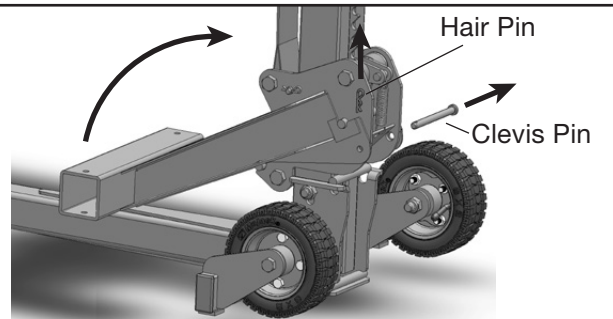
- Remove Lift Arm Push Pins and pull Lift Arm Inserts from the Lift Arm.
- Store the Push Pins in the Lift Arm.



STEP 19

Unhooking the Lift Arm

- Remove Small Hair Pin and Clevis Pin from Lift Arm.
- Unhook the Lift Arm from the Carrier by lifting up on the front of the Lift Arm and pulling out.
- Store the Clevis Pin and Hair Pin in the Lift Arm.

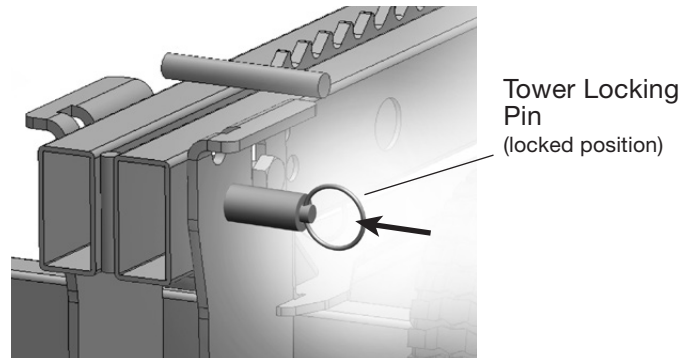
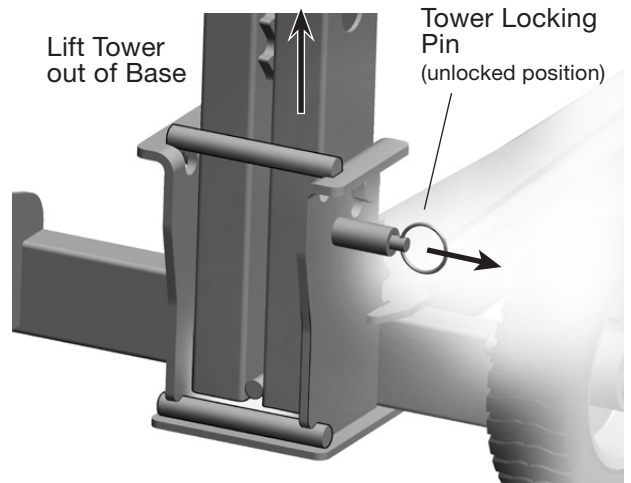
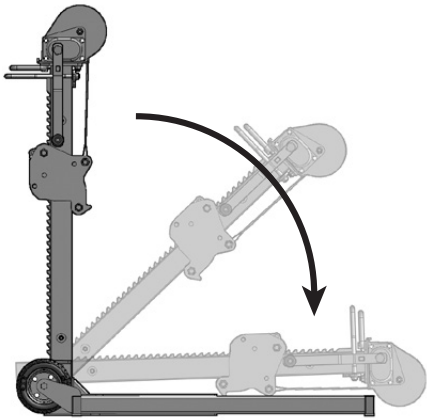


Operating Instructions

STEP 20

Folding the MoJack PRO

- Pull locking pin out to unlock.
- Raise the Tower out of the Base by pulling up on the Grip Handle and then lower the Tower.
- The tower will be securely locked in place when the locking pin retracts.



THE MOJACK PRO IS NOW READY FOR STORAGE OR TRANSPORT.

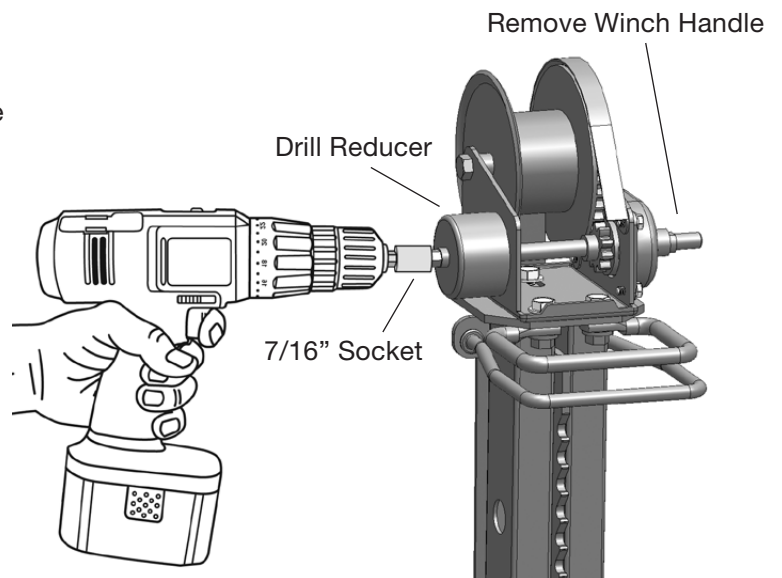
STEP 21

Raising the MoJack PRO with a power drill (optional)

- The MoJack PRO can be raised or lowered by using a variable speed corded drill (7 amp minimum) or variable speed cordless drill (18V minimum).
- The drill will require a 7/16" socket (not provided).
- Remove the Winch Handle by removing the Nylock Nut and Winch Handle Washer.

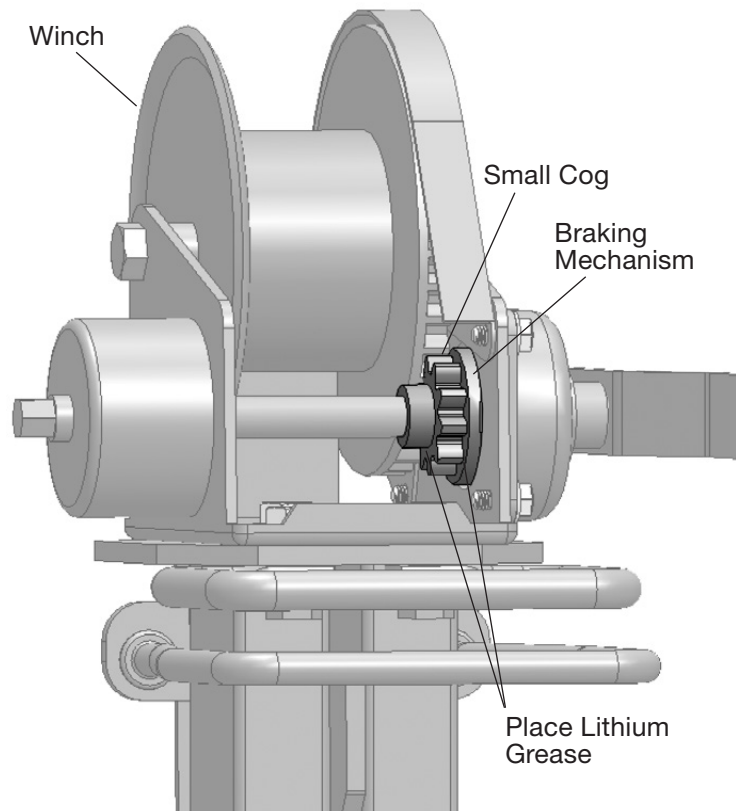
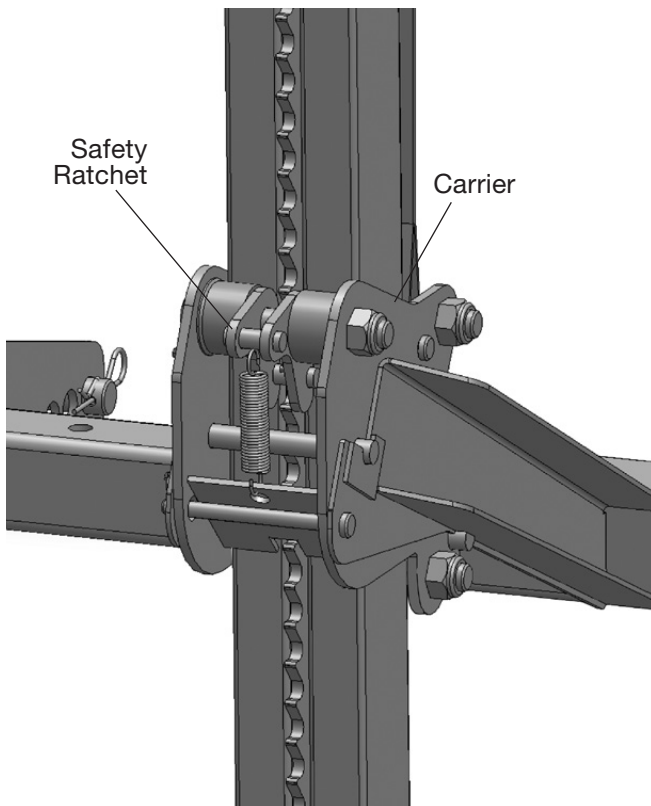
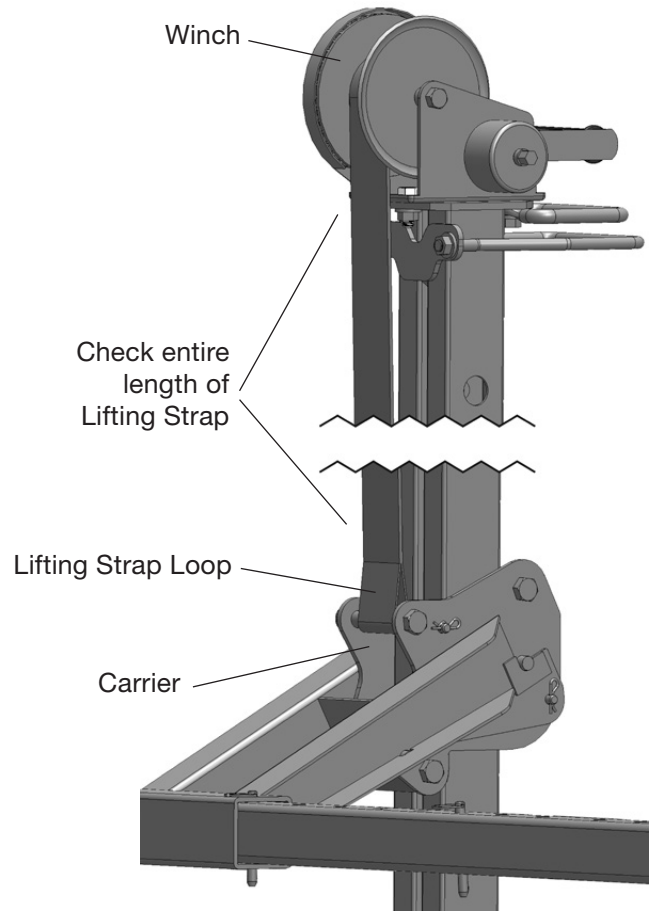
⚠ Operator must have a firm grip on the drill before raising or lowering the Lift Arm.

- Firmly place the 7/16" socket on the Drill Reducer. Rotate the drill in reverse (counterclockwise) to raise the Lift Arm and rotate the drill forward (clockwise) to lower the Lift Arm.
- Ratchet Release Handle and Grip Handle must be squeezed together when lowering the Lift Arm.
- Follow all other operating instructions while using the drill attachment.
- Replace the Winch Handle for future use.

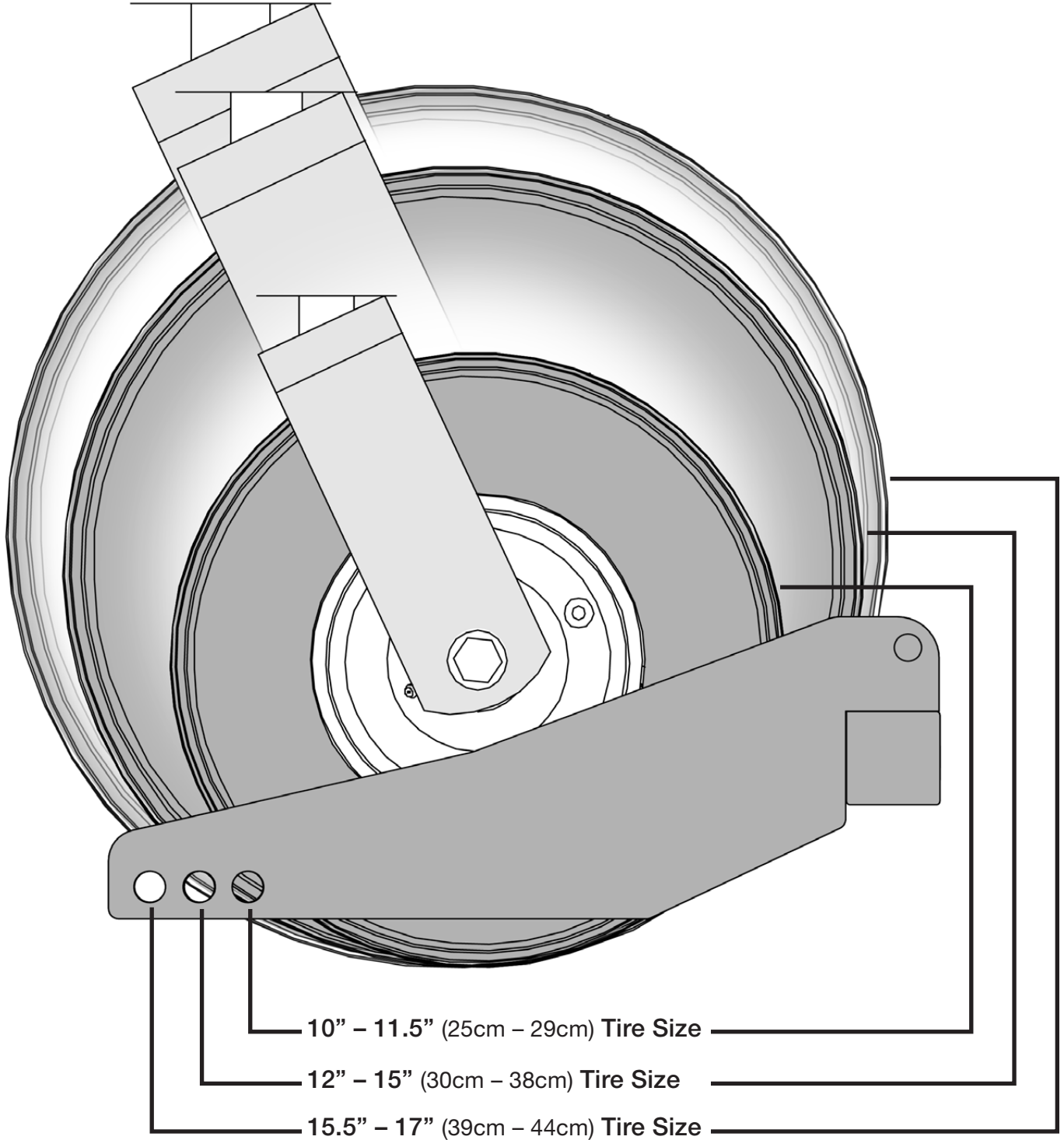


Maintenance Schedule

- Before each use, always check for any worn, loose or damaged parts on the MoJack PRO. If any damaged parts are present, do not use the MoJack PRO and contact MoJack at 1-877-575-3173.
- Check the Lifting Strap before every use. Make sure the Lifting Strap is not damaged or torn and the stitching on the loop is secure. If any of these issues are present, do not use the MoJack Pro and call MoJack at 1-877-575-3173.
- Check that the Safety Ratchet is working properly. As the Carrier raises, the clicking sound indicates that the Safety Ratchet is functioning properly. Raise the Carrier to the working height and rotate the Winch Handle counter-clockwise 1/2 turn to release the tension off of the Lifting Strap. If the Carrier does not rest firmly into the Safety Ratchet and tension remains on the Lifting Strap, do not use the MoJack Pro and call MoJack at 1-877-575-3173.
- Place lithium grease on the small cog of the winch and between the small cog on the winch and the braking mechanism, and teeth and bolt of safety bar once a year or every 50 uses.

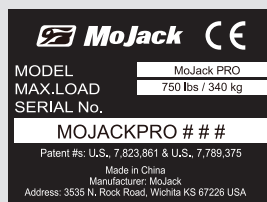


Support Rod Guide for Tire Sizes



⚠ Not for use with tires over 17" (44cm) in size

Introducción



Este manual contiene instrucciones sobre montaje, partes, funcionamiento, mantenimiento, ajuste y seguridad del elevador MoJack PRO.

ANTES DE UTILIZAR EL ELEVADOR MOJACK PRO, LEA CON ATENCIÓN TODO EL MANUAL.

Si sigue estas instrucciones de funcionamiento, mantenimiento y seguridad, prolongará la vida del elevador MoJack y favorecerá su funcionamiento seguro.

Si necesita información adicional o un mecánico de servicio especializado, póngase en contacto con su vendedor o distribuidor autorizado de equipos MoJack.

Todas las partes MoJack han sido rigurosamente probadas e inspeccionadas en fábrica para garantizar el cumplimiento de las normas de seguridad pertinentes.

NOTA: guarde este manual para referencia futura.

NOTE: Emplazamiento de la unidad número de serie.

Need Assistance?

Please **DO NOT** return this product to the store.

Our Customer Service Department is ready to help!
1-877-575-3173

¿Necesita ayuda?

¡NO devuelva este producto a la tienda!

¡Nuestro Departamento de Servicio de Atención al Cliente está listo para ayudarle!
1-877-575-3173

Besoin d'assistance ?

NE renvoyez PAS ce produit au magasin .

Notre service clientèle est là pour vous aider !
1-877-575-3173

Submit your questions online at:
Envie sus preguntas por Internet a:






















Vous pouvez également transmettre votre question en ligne à l'adresse suivante :

www.theMoJack.com

Patente No. 7,823,861 y No. 7,789,375
© 2011 MoJack Distributors, LLC.

MoJack es una marca registrada de MoJack Distributors, LLC.
MoJack PRO es una marca registrada de MoJack Distributors, LLC.

Advertencias e instrucciones de seguridad

-  Asegúrese de leer y comprender todas las instrucciones de seguridad y funcionamiento antes de utilizar el equipo MoJack PRO.
-  No permita que una persona no familiarizada con las instrucciones de seguridad o funcionamiento utilice el equipo MoJack PRO.
-  Siga todas las instrucciones de seguridad y servicio proporcionadas por el fabricante de la podadora antes de utilizar el elevador MoJack PRO.
-  No modifique de ninguna forma el elevador MoJack. Cualquier modificación anulará todas y cada una de las garantías existentes y podría poner en riesgo su seguridad personal.
-  Al utilizar el elevador MoJack PRO, mantenga a las personas presentes a una distancia segura del equipo.
-  El elevador MoJack PRO se debe utilizar sobre una superficie sólida y nivelada.
-  No levante los extremos delantero y trasero de la podadora al mismo tiempo.
-  No utilice el equipo MoJack PRO para elevar objetos que no sean podadoras, salvo que utilice el accesorio adecuado.
-  Apague siempre el motor y extraiga la llave antes de comenzar a trabajar en la podadora.
-  Nunca haga funcionar el motor de la podadora mientras utiliza el elevador MoJack PRO.
-  No exceda la capacidad de elevación límite de 750 libras (136 kg).
-  Si la torre del MoJack PRO se inclina al elevar o bajar la podadora, eso indica que existe una sobrecarga. Retire la podadora de inmediato.
-  Antes de utilizar el elevador MoJack PRO, la torre debe estar bloqueada en la posición correcta con su pasador de bloqueo.
-  No quite las advertencias de seguridad ni las calcomanías del equipo MoJack PRO.
-  Antes de cada uso, controle si hay partes gastadas, sueltas o dañadas en el elevador MoJack PRO. Si hubiera partes dañadas, no utilice el elevador MoJack PRO y póngase en contacto con MoJack llamando al 1-877-575-3173.
-  No suba a la podadora mientras la misma se eleva o se baja.
-  No debe haber nadie en la podadora mientras esta se eleva o se baja.
-  Una vez que la podadora se haya elevado a una altura de trabajo, coloque siempre cuñas (no incluidas) detrás de los neumáticos traseros de la podadora.
-  Ambos topes de rueda deben estar a la misma distancia del brazo elevador para mantener el equilibrio adecuado.
-  Extraiga todos los accesorios de la podadora antes de utilizar el elevador MoJack PRO.
-  Si no cumple con estas advertencias pueden producirse daños a la propiedad, lesiones corporales graves o incluso la muerte.

IMPORTANTE: el elevador MoJack PRO está diseñado para utilizarse solamente con podadoras de montar y tractores cortacésped de montar. No exceda el peso límite de 750 libras (136 kg). Este equipo nunca debe usarse para efectuar el servicio de otros tipos de máquinas, salvo que se utilice un accesorio aprobado por MoJack adecuado para el tipo de máquina. Consulte con el vendedor o distribuidor local de productos MoJack.

Garantía y devoluciones

GARANTÍA LIMITADA

Esta garantía protege el bastidor de elevación contra el fracaso debido a un defecto de material o mano de obra cuando el producto se utiliza correctamente durante dos años de uso residencial y un año de uso comercial. El cabrestante de elevación está garantizado contra fallas debido a defectos en los materiales o mano de obra durante un año de uso adecuado. MoJack reemplazará las partes defectuosas sin costo. Esta garantía no cubre productos que hayan sido alterados o ajustados, ni productos que hayan sido utilizados en forma abusiva o incorrecta. EL RECURSO MENCIONADO CONSTITUYE EL RECURSO ÚNICO Y EXCLUSIVO DEL CLIENTE. MOJACK NO CONCEDE NINGÚN OTRO TIPO DE GARANTÍA IMPLÍCITA, NI SIQUIERA LA GARANTÍA DE COMERCIABILIDAD E IDONEIDAD PARA UN FIN PARTICULAR. MOJACK NO SE HARÁ RESPONSABLE POR DAÑOS IMPREVISTOS O DERIVADOS. ALGUNOS ESTADOS O PROVINCIAS NO PERMITEN LA EXCLUSIÓN O LIMITACIÓN DE LAS GARANTÍAS IMPLÍCITAS O DE LOS RECURSOS POR INCUMPLIMIENTO DE GARANTÍAS IMPLÍCITAS; POR LO TANTO, ES POSIBLE QUE ESTAS EXCLUSIONES NO SE APLIQUEN A USTED. ESTA GARANTÍA LIMITADA LE OTORGA DERECHOS LEGALES ESPECÍFICOS Y TAMBIÉN PUEDE TENER OTROS DERECHOS QUE VARIAN SEGÚN EL ESTADO O LA PROVINCIA.

¿Qué cubre esta garantía?

Esta garantía cubre en contra de un fallo debido a un defecto de material o mano de obra. Incluye una garantía de un año en el cabrestante de elevación desde la fecha de puchase. El bastidor incluye una garantía de dos años a partir de la fecha de compra para uso residencial, y una garantía de un año a partir de la fecha de compra para uso comercial.

¿Qué NO cubre esta garantía?

Esta garantía no cubre ninguna máquina MoJack que haya sido alterada o ajustada de alguna forma en relación con el modelo original. No cubrirá ningún producto MoJack que resulte dañado debido a uso incorrecto o excesivo, accidente o negligencia. Esta garantía no cubre daños imprevistos o derivados.

¿Cuál es el período de cobertura?

De cabrestante para uno años, a partir de la fecha de compra por el propietario original. De torre para dos años para uso residencial y un año para uso comercial, a partir de la fecha de compra por el propietario original.

¿Qué hará MoJack para resolver los problemas?

Reemplazaremos las partes defectuosas sin cargo (dentro del período de cobertura).

¿Cómo puedo obtener servicio?

Para obtener servicio en el marco de esta garantía, DEBE registrar su producto MoJack dentro de un plazo de treinta (30) días a partir de la compra. Debe conservar su recibo para demostrar la fecha de la compra. Puede registrar su producto MoJack nuevo en nuestro sitio Web en www.themojack.com o llamando a nuestro número gratuito 1-877-575-3173.

¿Cómo me pongo en contacto con MoJack por un problema de garantía?

Puede ponerse en contacto con nosotros a través de nuestro sitio Web www.themojack.com o llamando a nuestro número gratuito 1-877-575-3173.

¿Tengo otros derechos en virtud de las leyes estatales?

Esta garantía le proporciona derechos legales específicos y también puede tener otros derechos que varían según el Estado.

¿Cuál es la política de devolución?

Treinta (30) días a partir de la fecha en que recibió el producto MoJack. Para obtener información sobre políticas y procedimientos de devolución, póngase en contacto con MoJack llamando a nuestro número gratuito 1-877-575-3173 o por correo electrónico al info@themojack.com.

¿Cómo efectuar una devolución?

Póngase en contacto con nosotros dentro del período de devolución. Le emitiremos una Autorización para la Devolución de Mercadería (RMA), que deberá colocar en la parte exterior de la caja. Todas las mercaderías se deben devolver en su empaque original. Tomaremos medidas para que el producto MoJack sea recogido por un transportista nacional.

¿Cómo recibo el reembolso?

La devolución se efectuará según nuestro criterio. Si debe recibir un reembolso, deje pasar cuatro semanas para permitir la acreditación en su cuenta. Se deducirán cargos de servicio de devolución del monto del reembolso.

¿Son reembolsables los cargos por envío?

No.

¿Tiene MoJack una política de cargo de servicio de devolución?

Sí. Las devoluciones y los reembolsos suponen trabajo adicional para nosotros. En vez de trasladar ese costo a los consumidores a través de precios más altos, seguimos los criterios generales de nuestra industria y exigimos el pago de cargos de servicio nominales en el caso de una devolución. El cargo de servicio es de 20%.

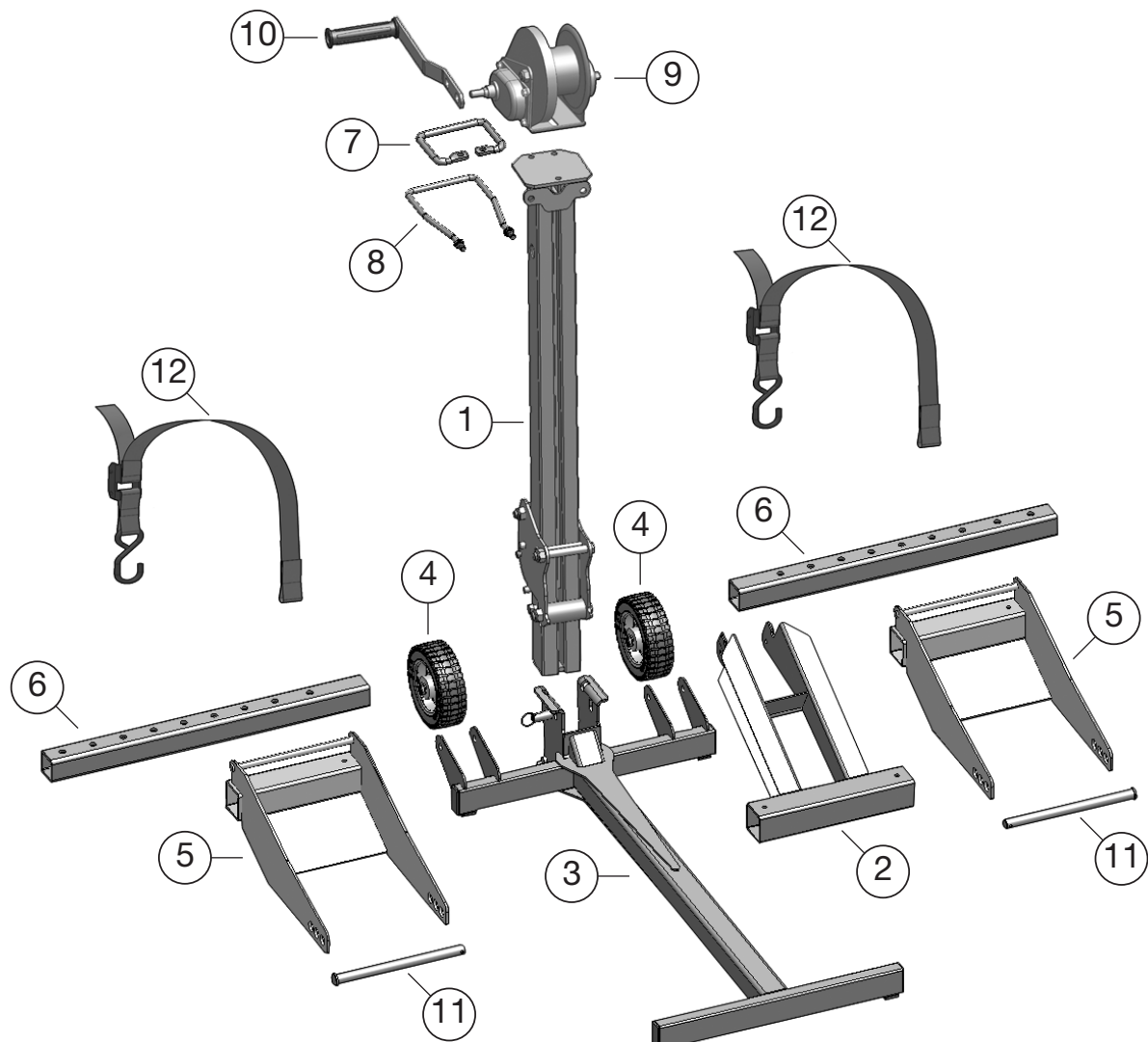
¿Cómo me pongo en contacto con MoJack?

Puede llamarnos a nuestro número gratuito 1-877-575-3173 o escribirnos a nuestra dirección electrónica info@themojack.com.

Lista de partes

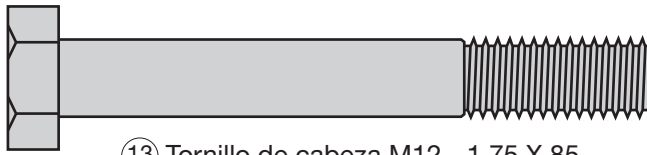
N° Elem.	Cant.	Descripción
①	1	Torre
②	1	Brazo elevador
③	1	Base
④	2	Rueda
⑤	2	Tope de rueda
⑥	2	Inserto del brazo elevador

N° Elem.	Cant.	Descripción
⑦	1	Asa de seguridad
⑧	1	Manija de liberación del trinquete
⑨	1	Cabrestante
⑩	1	Manivela del cabrestante
⑪	2	Varilla de soporte
⑫	2	Correa de seguridad



Lista de materiales

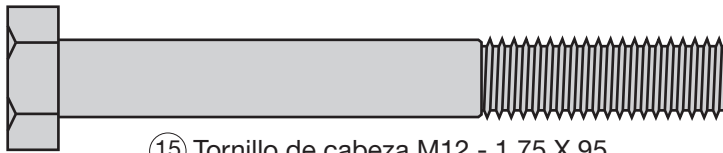
N° Elem.	Cant.	Descripción	N° Elem.	Cant.	Descripción
13	2	Tornillo de cabeza M12 - 1.75 X 85	19	1	Arandela de la manivela del cabrestante – 12 mm
14	4	Tuerca Nylock M12-1.75	20	1	Pasador de horquilla
15	1	Tornillo de cabeza M12 - 1.75 X 95	21	4	Pasador de empuje
16	3	Tornillo de cabeza M10-1.5 x 30	22	3	Horquilla
17	5	Tuerca Nylock M10 -1.5	23	1	Tornillo de cabeza M14 - 2.0 X 100
18	3	Arandela del cabrestante – 10 mm	24	1	Tuerca Nylock M14-2.0



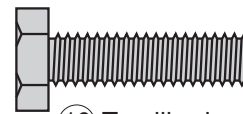
13 Tornillo de cabeza M12 - 1.75 X 85



14 Tuerca Nylock M12-1.75



15 Tornillo de cabeza M12 - 1.75 X 95



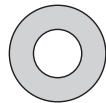
16 Tornillo de cabeza M10-1.5 X 30



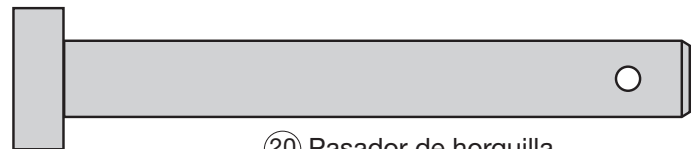
17 Tuerca Nylock M10 -1.5



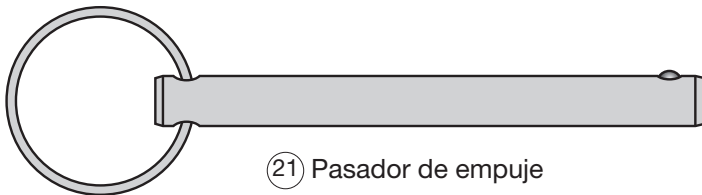
18 Arandela del cabrestante – 10



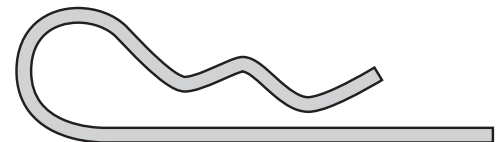
19 Arandela de la manivela del cabrestante – 12 mm



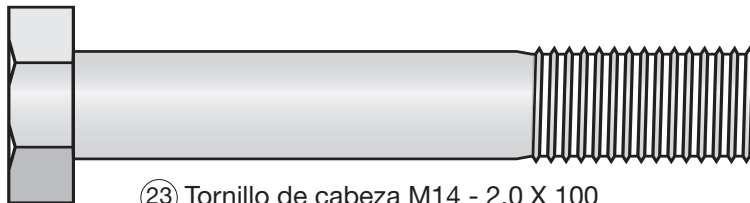
20 Pasador de horquilla



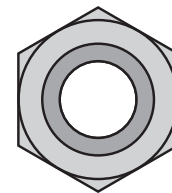
21 Pasador de empuje



22 Horquilla

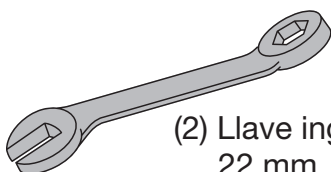


23 Tornillo de cabeza M14 - 2.0 X 100

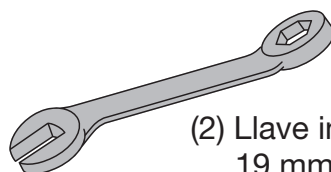


24 Tuerca Nylock M14-2.0

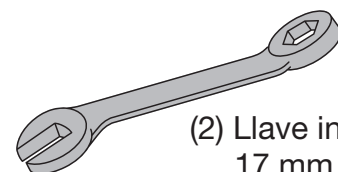
Herramientas necesarias para el montaje



(2) Llave inglesa de 22 mm



(2) Llave inglesa de 19 mm

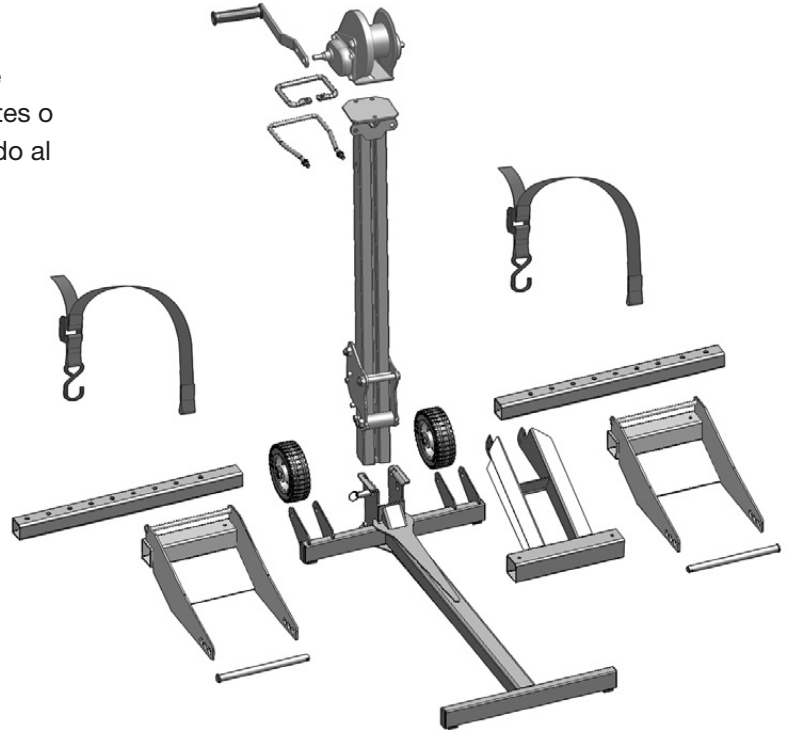


(2) Llave inglesa de 17 mm

Instrucciones de montaje

PASO 1

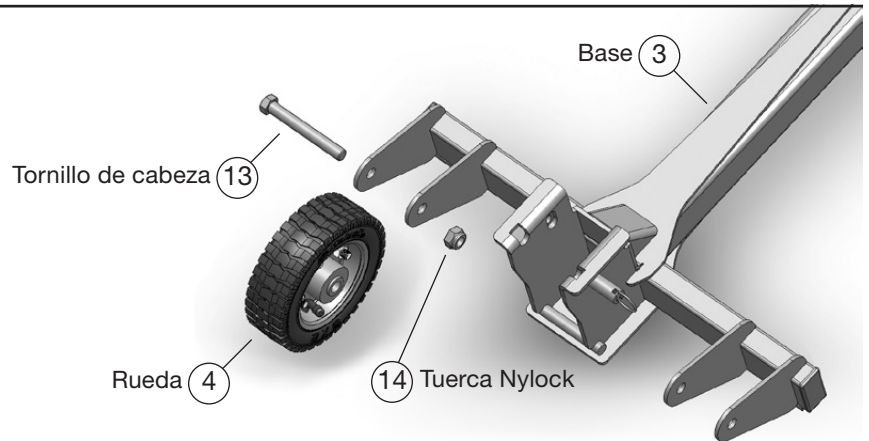
Extraiga el elevador MoJack PRO del empaque.
 Haga un inventario de las partes para estar seguro de que posee todas las partes y materiales. Si faltan partes o materiales, póngase en contacto con MoJack llamando al 1-877-575-3173 o por correo electrónico a parts@themojack.com.



PASO 2

Monte la rueda (4) a la base (3), insertando el tornillo de cabeza (13) y la tuerca Nylock (14), y fíjelos. Repita el procedimiento con la segunda rueda.

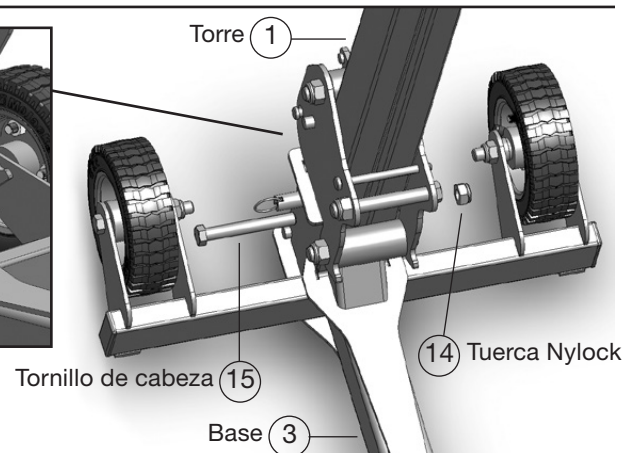
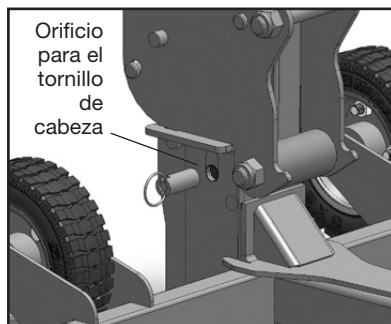
Nota: No apriete demasiado la tuerca Nylock.



PASO 3

Sujete la torre (1) a la base (3) usando el tornillo de cabeza (15) y la tuerca Nylock (14) como se indica.

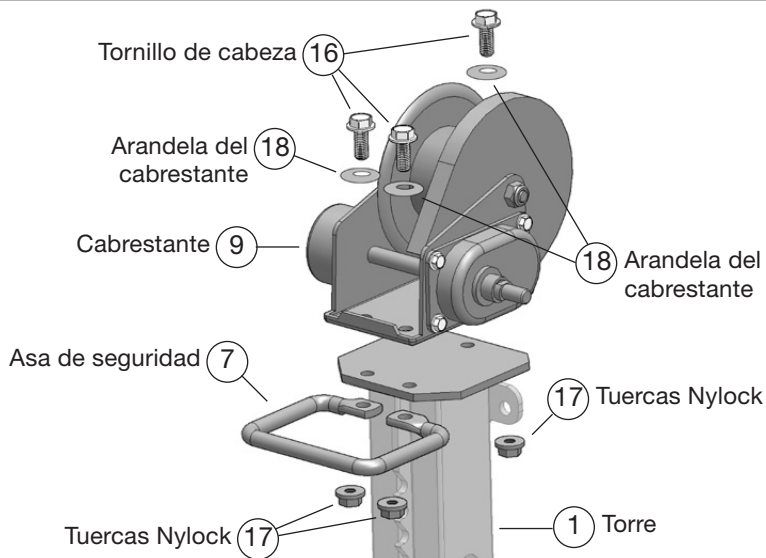
Nota: No apriete demasiado la tuerca Nylock.



Instrucciones de montaje

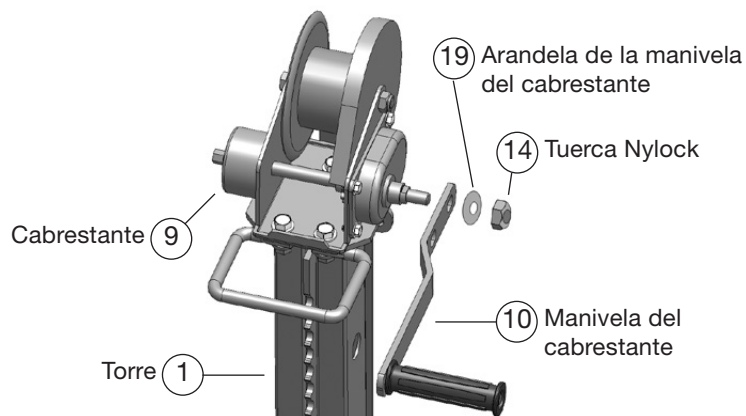
PASO 4

Fije el cabrestante (9) y el asa de seguridad (7) a la torre (1) usando los pernos hexagonales (16), las tuercas Nylock (17) y las arandelas del cabrestante (18) y ajústelos como se indica.



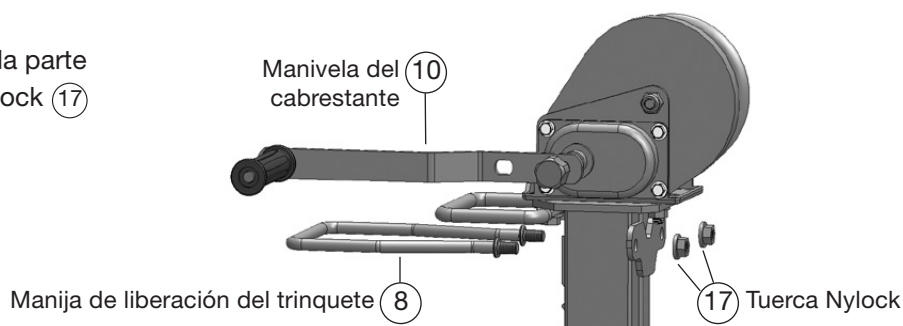
PASO 5

Fije la manivela del cabrestante (10) al cabrestante (9), usando la tuerca Nylock (14) y la arandela de la manivela del cabrestante (19) y ajústelas como se indica.



PASO 6

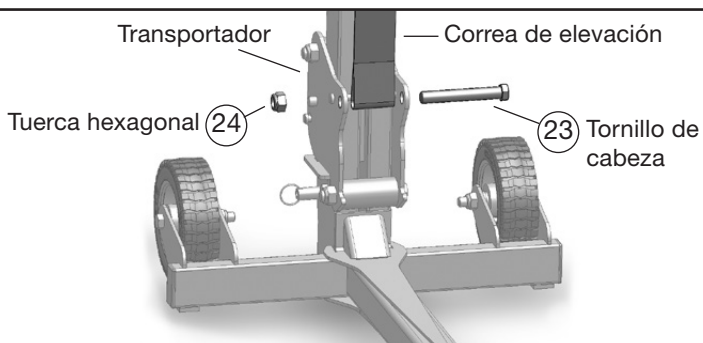
Fije la manija de liberación del trinquete (8) a la parte superior de la torre (1) usando las tuercas Nylock (17) y ajústelas como se indica.



PASO 7

Fije la correa de elevación de la bobina del cabrestante usando un tornillo de cabeza (23) y una tuerca hexagonal (24), y fíjelos como se indica.

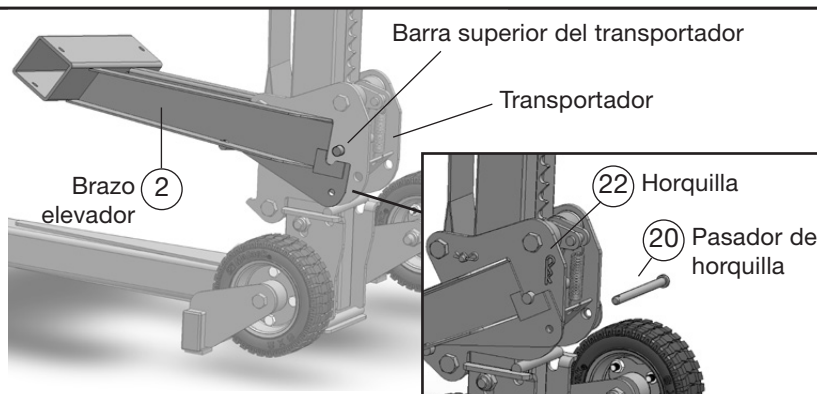
Nota: No apriete demasiado la tuerca Nylock.



Instrucciones de montaje

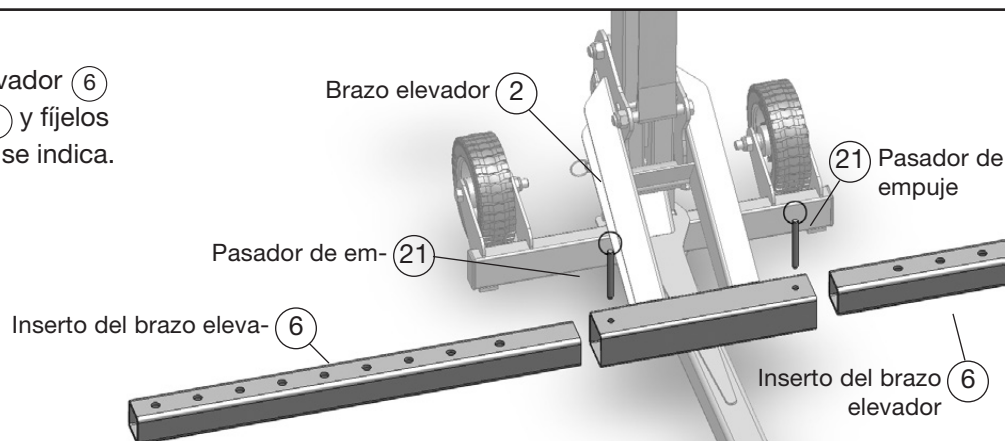
PASO 8

Cuelgue el brazo elevador (2) en el transportador, enganchando el área ranurada del brazo elevador sobre la barra superior del transportador. El brazo elevador se debe insertar desde la parte delantera y después bajar para quedar colocado en la posición correcta. Inserte el pasador de horquilla (20) a través del orificio del transportador y bloquéelo, colocando la horquilla (22) en el pasador de horquilla.



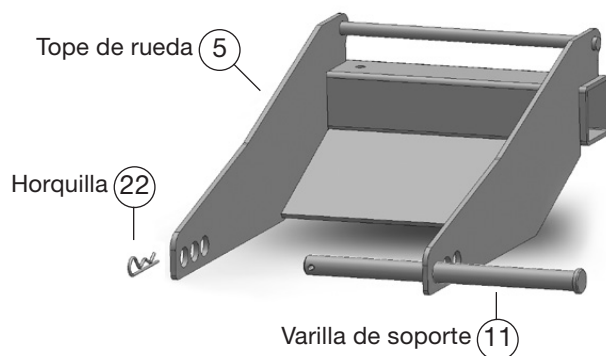
PASO 9

Introduzca los insertos del brazo elevador (6) a ambos lados del brazo elevador (2) y fíjelos con pasadores de empuje (21) como se indica.



PASO 10

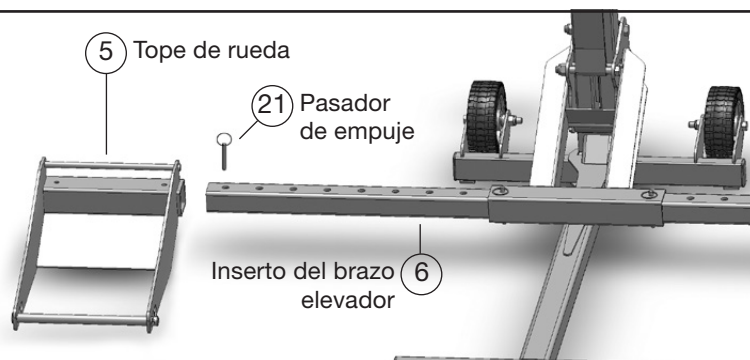
Prepare los tope de rueda (5) para instalar colocando las varillas de soporte (11) y las horquillas (22).



PASO 11

Coloque los tope de rueda (5) a ambos lados de los insertos del brazo elevador (6) y fíjelos con pasadores de empuje (21).

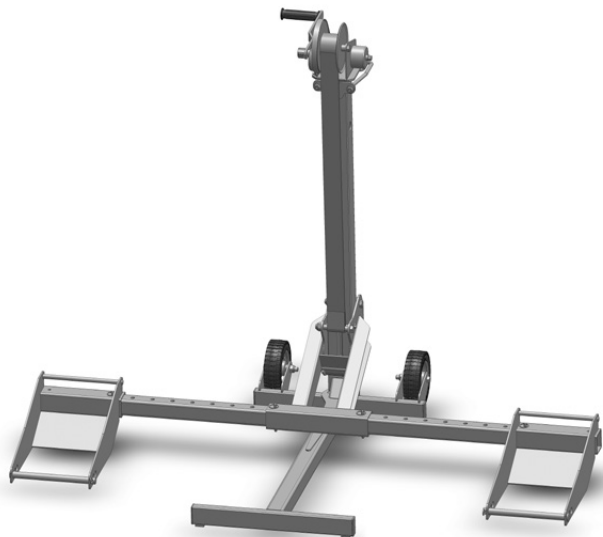
Nota: los tope de rueda se pueden mover hacia adentro o hacia afuera para adaptarse a los distintos tamaños de podadora. Utilice la configuración que funcione mejor con su modelo de podadora.



SE HA COMPLETADO EL MONTAJE.

Instrucciones de funcionamiento

Algunos pasos de las instrucciones de funcionamiento son iguales a las instrucciones de montaje. Las instrucciones de funcionamiento mostrarán un ciclo de trabajo completo del elevador MoJack PRO.



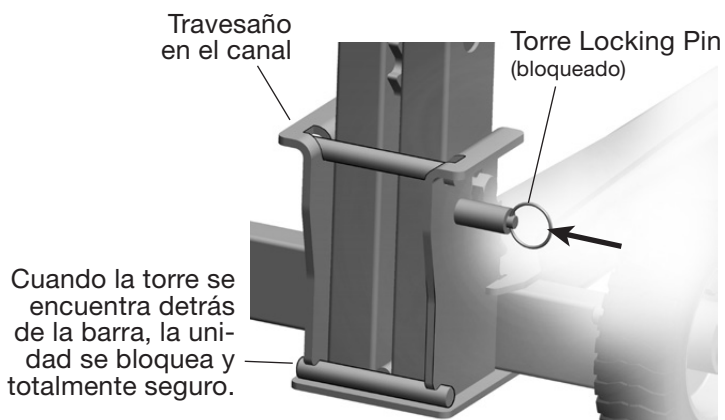
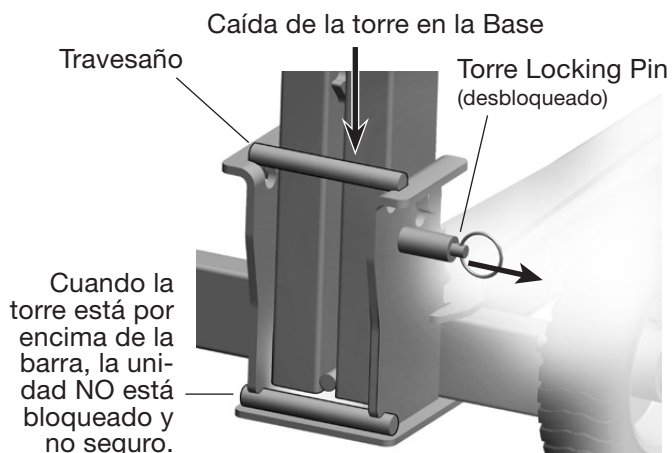
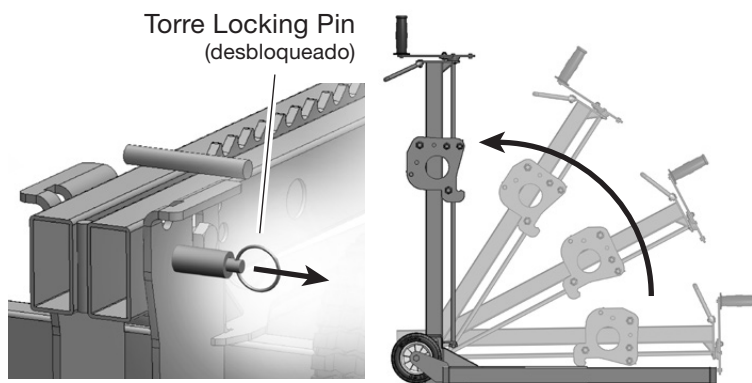
⚠ Antes de utilizar el elevador MoJack PRO, lea con atención todo el manual.

Preparación del elevador MoJack PRO para su uso (pasos 1 a 8)

PASO 1

Cómo desplegar el elevador MoJack XT

- Tire el pasador de bloqueo a desbloquear.
- Levante la Torre tirando hacia arriba de la manija de agarre. Una vez que la torre está en la posición vertical, levante la manija de agarre y colocar la torre en la Base.
- The tower will be securely locked in place when the locking pin retracts and the tower is snug in the channel behind the crossbar.

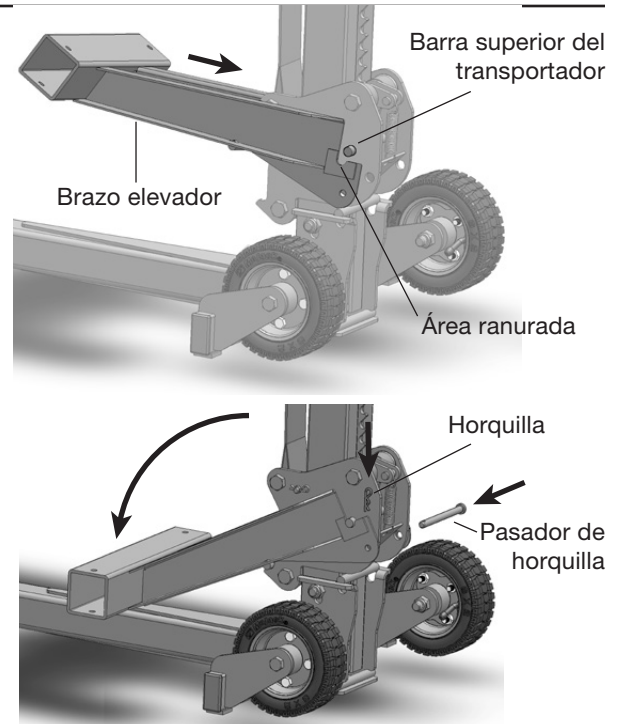


Instrucciones de funcionamiento

PASO 2

Instalación del brazo elevador

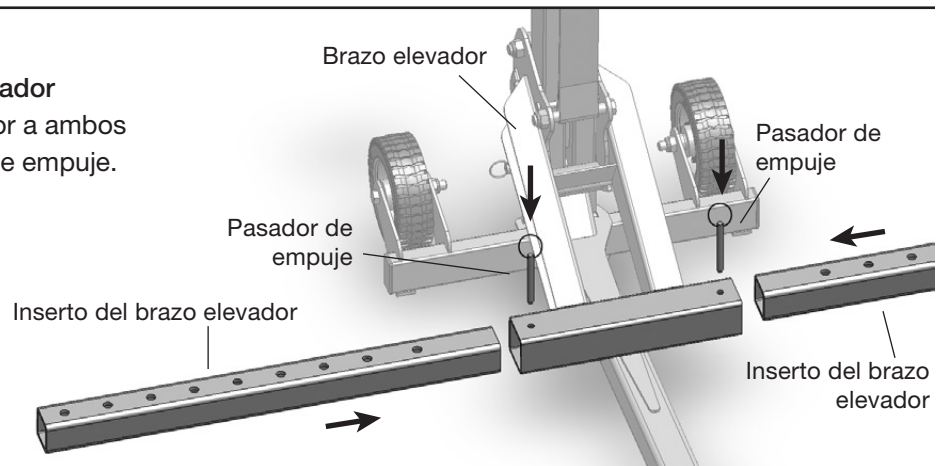
- Cuelgue el brazo elevador en el transportador, enganchando el área ranurada del brazo elevador sobre la barra superior del transportador. El brazo elevador se debe insertar desde la parte delantera y después bajar para quedar colocado en la posición correcta.
- Fije el brazo elevador al transportador con pasadores de horquilla y horquilla.



PASO 3

Instalación de los insertos del brazo elevador

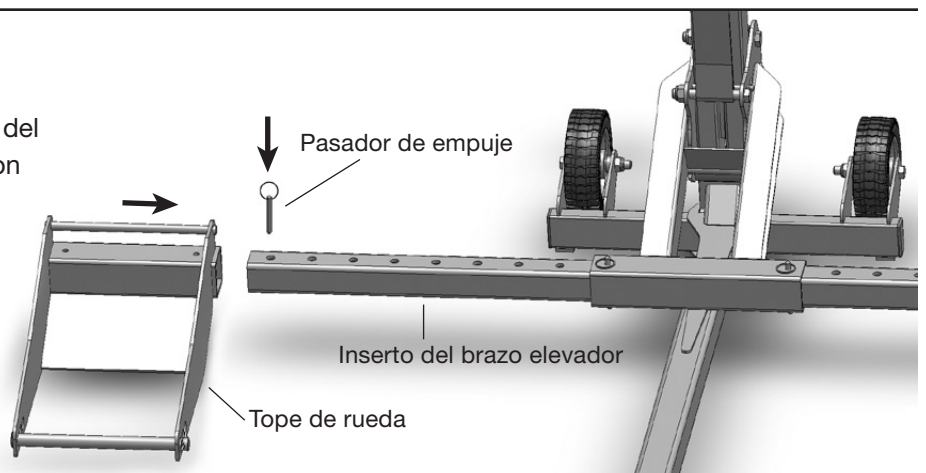
- Introduzca los insertos del brazo elevador a ambos lados del brazo y fíjelos con pasadores de empuje.



PASO 4

Instalación de los topes de rueda

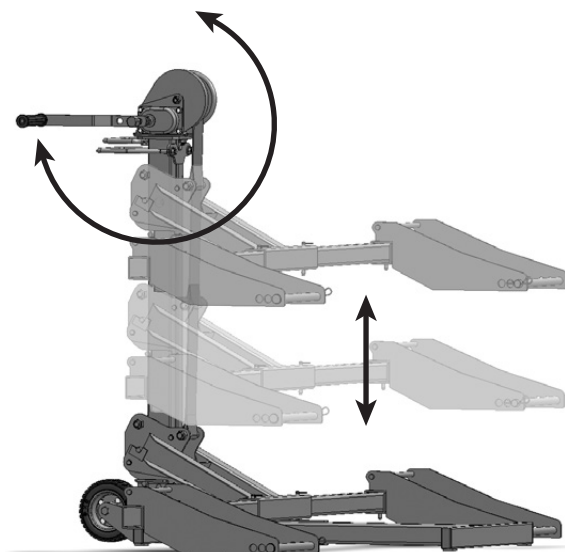
- Deslice los topes de rueda en los insertos del brazo elevador y fíjelos provisoriamente con pasadores de empuje.



Instrucciones de funcionamiento

PASO 5


Familiarícese con el elevador MoJack PRO

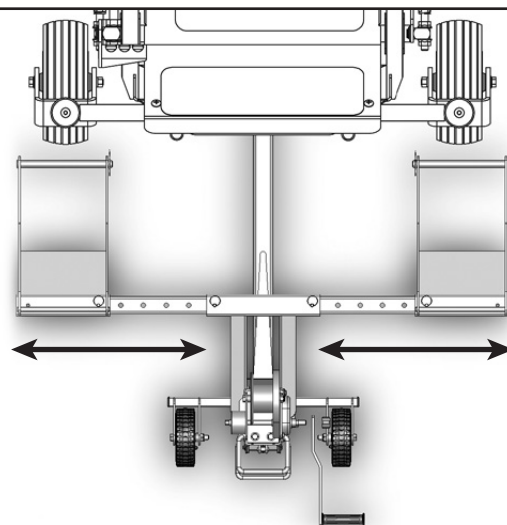


PASO 6

Alineación de los topes de rueda para ajustar a la podadora

- Coloque los neumáticos delanteros de la podadora a una distancia de 6" (15 cm) frente a los topes de rueda.
- Extraiga los pasadores de empuje y alinee los topes de rueda de forma que los neumáticos delanteros de la podadora queden centrados en relación con los topes de rueda.
- Reemplace los pasadores de empuje para bloquear los topes de rueda al brazo elevador.

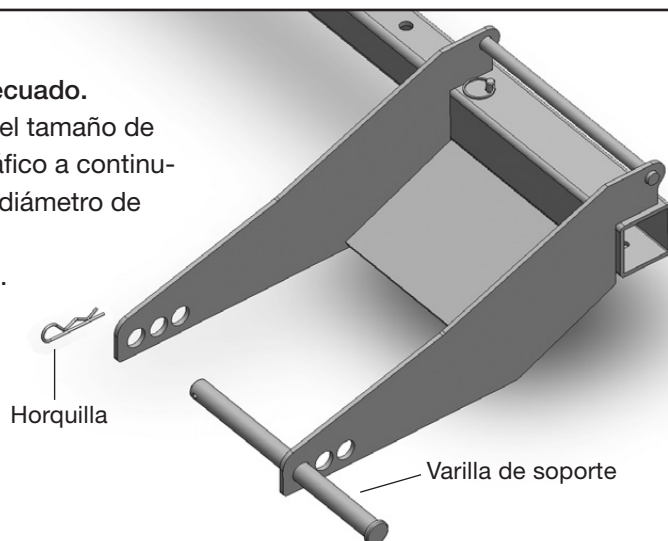
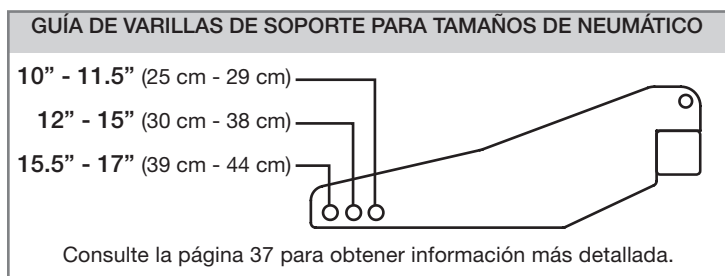
 Ambos topes de rueda deben estar a la misma distancia del brazo elevador para mantener el equilibrio adecuado.



PASO 7

Ajuste de las varillas de soporte al tamaño de neumático adecuado.

- Ajuste las varillas de soporte sobre los topes de rueda según el tamaño de los neumáticos delanteros de la podadora. Consulte en el gráfico a continuación la ubicación adecuada de la varilla de soporte según el diámetro de los neumáticos delanteros de la podadora.
- Fije las varillas de soporte a los topes de rueda con horquillas.



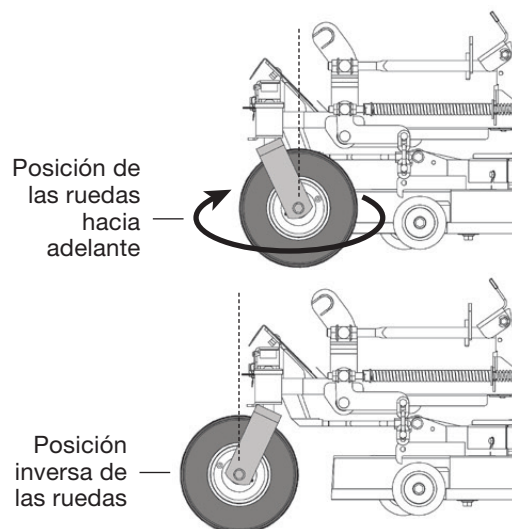
Instrucciones de funcionamiento

PASO 8

Posición inversa de los neumáticos delanteros de la podadora

(opcional; si no corresponde, pase al paso 9)

- En algunos casos, la cubierta o las ruedas protectoras de la podadora tocarán el brazo elevador mientras se eleva la podadora. Esto sucede con frecuencia si una parte de la cubierta (incluso las ruedas protectoras) sobresalen de la línea central de las ruedas delanteras de la podadora.
- Gire las llantas centrales 180° de forma que queden en posición inversa.
- Extraiga las varillas de soporte de los topes de rueda y deslice el elevador MoJack PRO debajo de la podadora.
- Fije las varillas de soporte a los topes de rueda con horquillas grandes.



Utilización del elevador MoJack PRO (pasos 9 a 16)

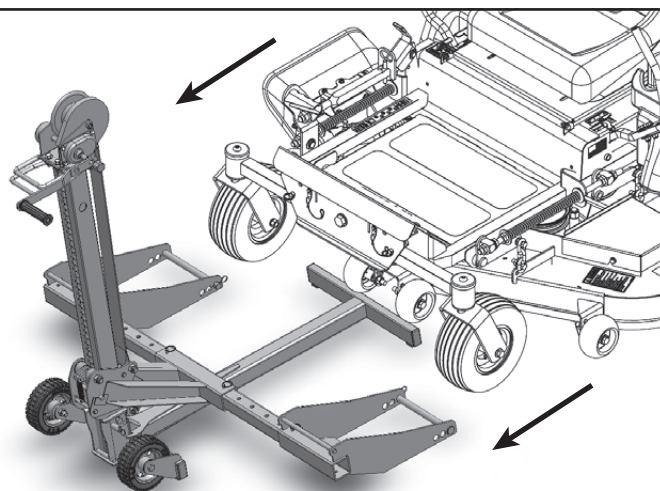
PASO 9

Traslado de la podadora hacia el elevador MoJack PRO

⚠ El elevador MoJack PRO se debe utilizar sobre una superficie sólida y nivelada.

- Conduzca o haga rodar la podadora hasta los topes de rueda.

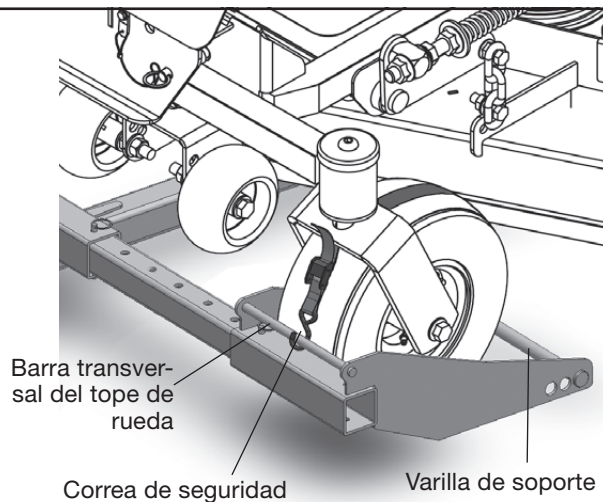
⚠ Detenga el motor y extraiga la llave.



PASO 10

Sujeción de las llantas delanteras de la podadora a los topes de rueda

- Fije las llantas delanteras de la podadora a los topes de rueda utilizando las correas de seguridad (14). Fije el gancho de la correa de seguridad en la barra transversal del tope de rueda; inserte la varilla de soporte en el bucle de la correa de seguridad separando primero la varilla de soporte, deslizando después el bucle de la correa de seguridad hacia adentro y volviendo a colocar la varilla de soporte.
- Ajuste las correas de seguridad sobre la parte superior de los neumáticos para fijar la podadora a los topes de rueda.



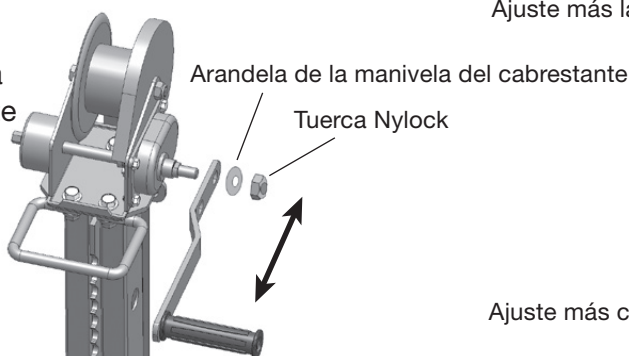
Instrucciones de funcionamiento

PASO 11

Ajuste de la manivela del cabrestante (opcional)

- La longitud opcional de la manivela del cabrestante está en el ajuste más largo. Algunas podadoras tienen accesorios protectores o capós de mayor tamaño que interfieren con las manivelas de cabrestante más grandes.

La manivela del cabrestante se puede ajustar extrayendo la tuerca Nylock y la arandela de la manivela del cabrestante y volviéndolos a fijar en el ajuste más corto.



Ajuste más largo: radio de 12"
(30 cm)

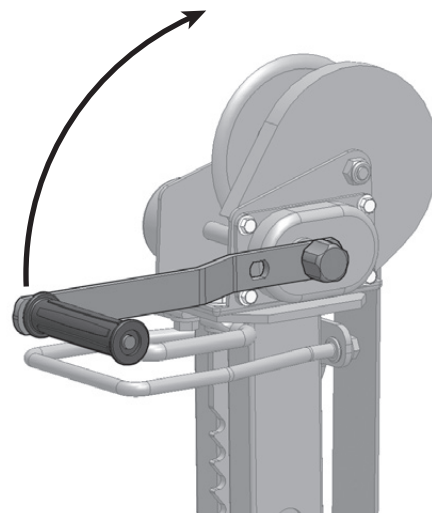
Ajuste más corto: radio de 10"
(25 cm)

PASO 12

Elevación de la podadora

- Eleve la podadora girando la manivela del cabrestante en sentido horario.
- Consulte el paso 21 para elevar la podadora con un accesorio de taladro.

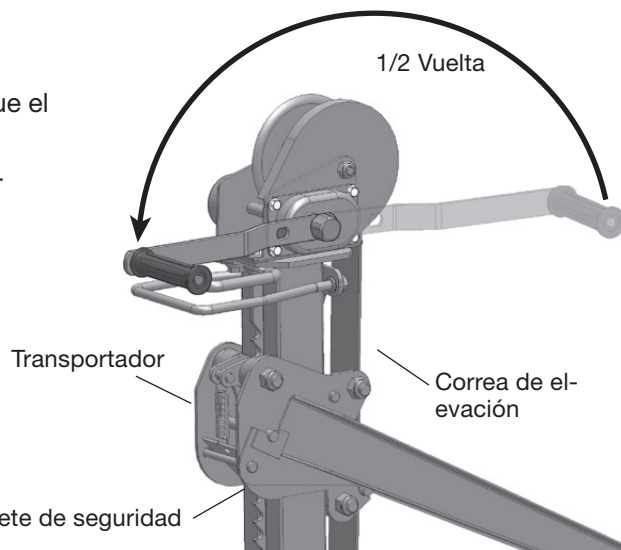
- ⚠ No intente levantar más de 750 lb (136 kg).
- ⚠ El elevador MoJack PRO se debe utilizar sobre una superficie sólida y nivelada.
- ⚠ Se debe apagar el motor y extraer la llave.
- ⚠ La podadora debe estar en posición neutral.
- ⚠ El freno de estacionamiento debe estar desactivado al subir o bajar la podadora.
- ⚠ Las correas de seguridad deben estar fijadas con firmeza.



PASO 13

Bloqueo del transportador mediante el trinquete de seguridad

- Cuando el transportador sube, el "clic" que se escucha indica que el trinquete de seguridad está funcionando en forma adecuada. Una vez que la podadora se encuentre en la altura de trabajo deseada, gire la manivela del cabrestante 1/2 vuelta en sentido antihorario para liberar la tensión de la correa de elevación y permitir que el transportador se apoye con firmeza en el trinquete de seguridad.

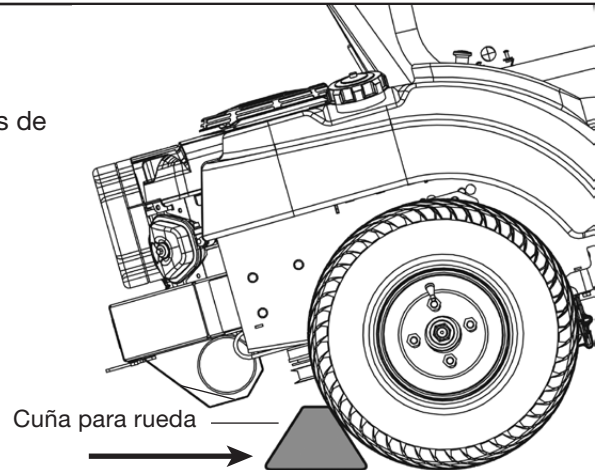


Instrucciones de funcionamiento

PASO 14

Preparación de la podadora para el servicio

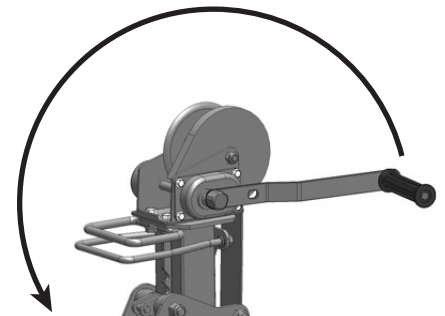
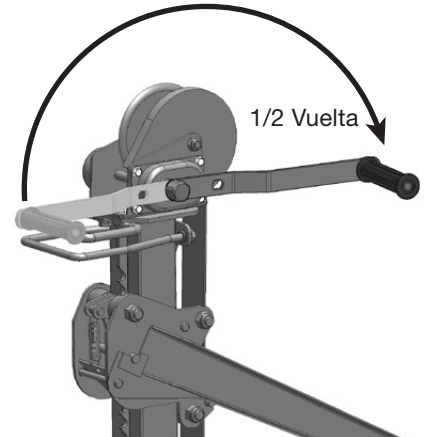
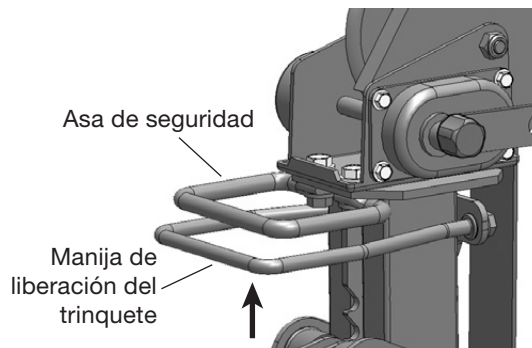
- Coloque las cuñas (no incluidas) detrás de los neumáticos posteriores de la podadora.
- Después active el freno de estacionamiento en la podadora.



PASO 15

Descenso de la podadora

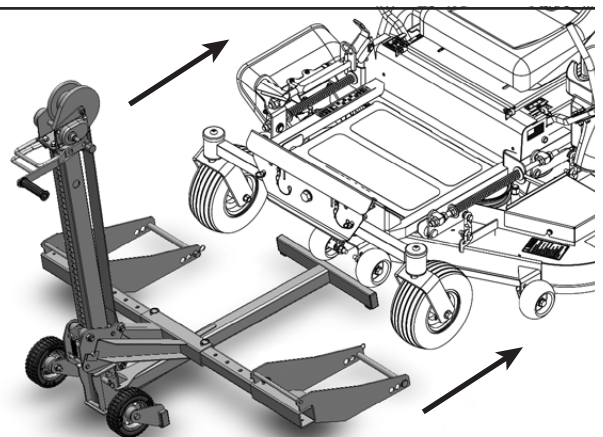
- Quite las cuñas de las ruedas.
- Libere el freno de estacionamiento.
- La podadora debe estar en posición neutral.
- Gire la manivela del cabrestante $\frac{1}{2}$ vuelta en sentido horario y apriete el asa de seguridad contra la manija de liberación del trinquete. Mientras aprieta el asa de seguridad y la manija de liberación del trinquete, gire la manivela del cabrestante en sentido antihorario hasta que los topes de rueda estén totalmente apoyados sobre el piso.



PASO 16

Extracción de la podadora del elevador MoJack PRO

- Quite las correas de seguridad de los neumáticos delanteros de la podadora.
- La extracción de las varillas de soporte es opcional en este paso.
- Conduzca o haga rodar la podadora para alejarla de los toques de rueda.



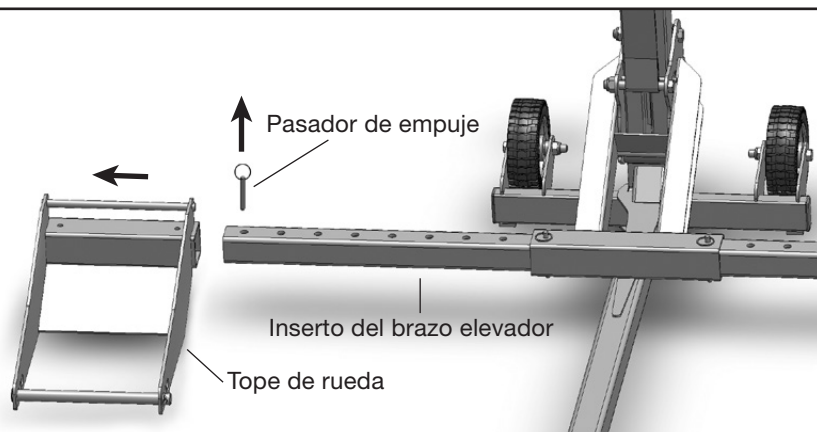
Instrucciones de funcionamiento

Preparación del elevador MoJack PRO para almacenamiento (pasos 17 a 20)

PASO 17

Extracción de los topes de rueda

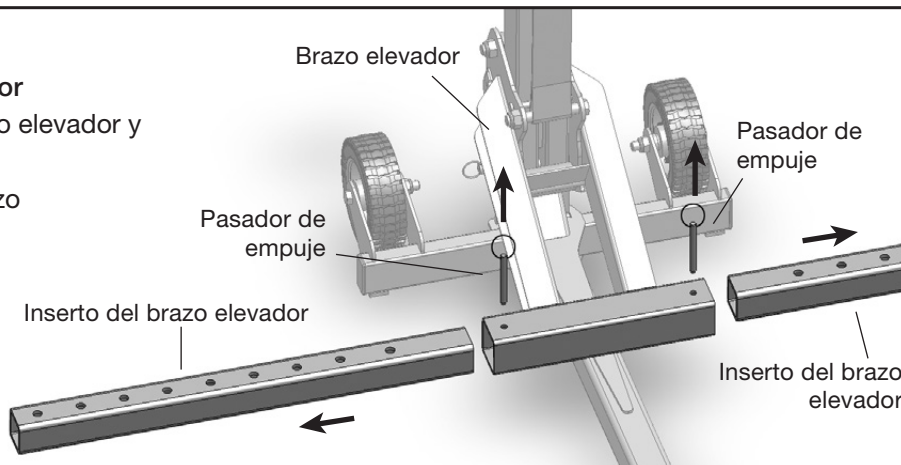
- Extraiga los pasadores de empuje de los topes de rueda y retire los topes de rueda de los insertos del brazo elevador.
- Guarde los pasadores de empuje dentro los topes de rueda.



PASO 18

Extracción de los insertos del brazo elevador

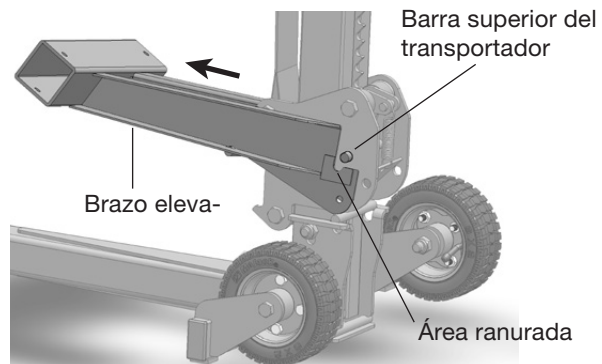
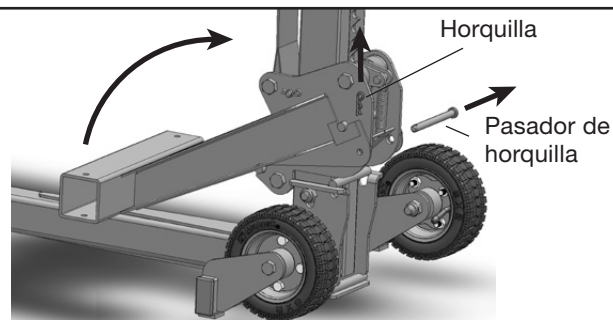
- Extraiga los pasadores de empuje del brazo elevador y extraiga los insertos del brazo elevador.
- Guarde los pasadores de empuje en el brazo elevador.



PASO 19

Desenganche del brazo elevador

- Extraiga la horquilla pequeña y el pasador de horquilla del brazo elevador.
- Desenganche el brazo elevador del transportador levantando y tirando de la parte delantera del brazo elevador.
- Guarde la horquilla y el pasador de horquilla en el brazo elevador.

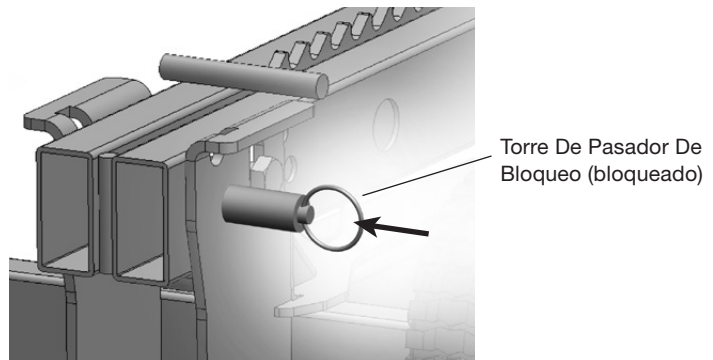
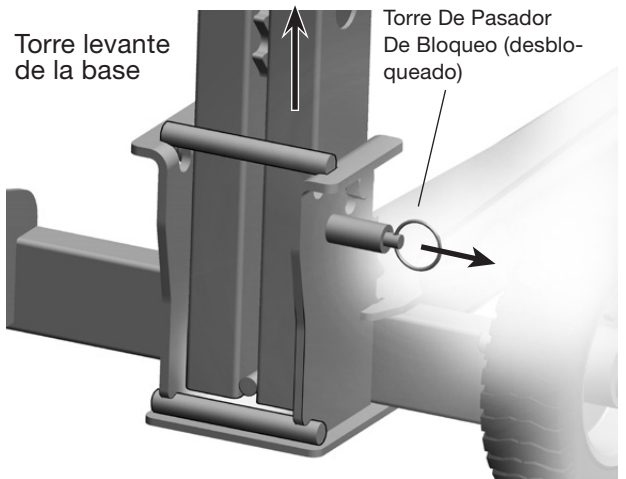
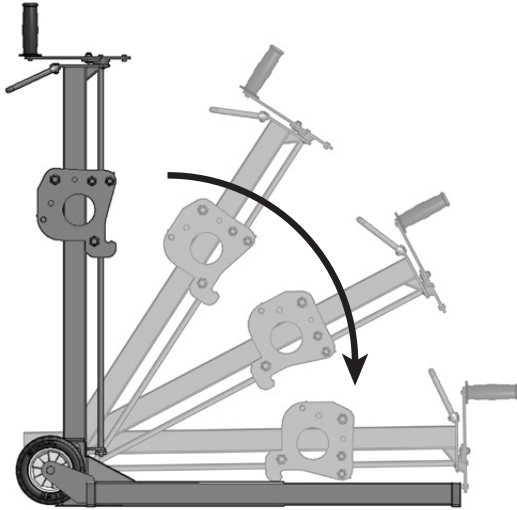


Instrucciones de funcionamiento

PASO 20

Plegado del elevador MoJack XT

- Tire el pasador de bloqueo a desbloquear.
- Levante la Torre de la Base tirando hacia arriba de la manija de agarre y luego baje la Torre.
- La torre se bloqueará en su lugar cuando se retrae pasador de bloqueo.

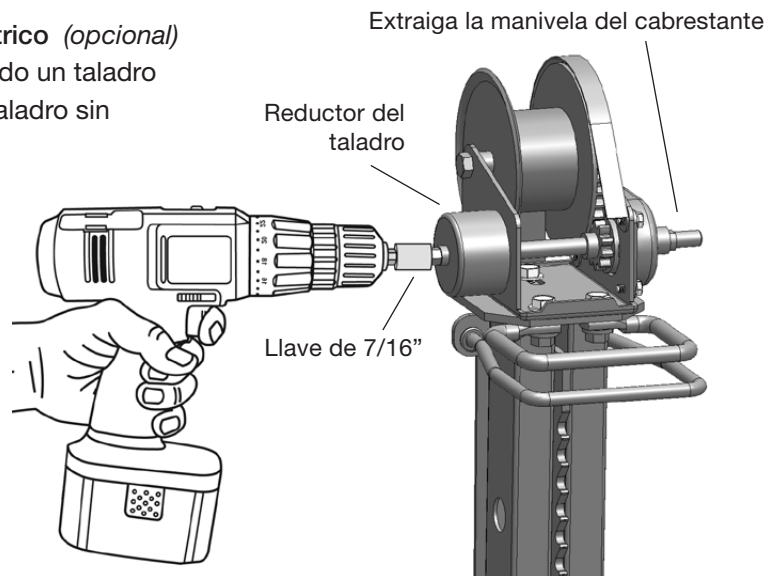


EL ELEVADOR MOJACK PRO ESTÁ LISTO PARA SU ALMACENAMIENTO O TRANSPORTE.

PASO 21

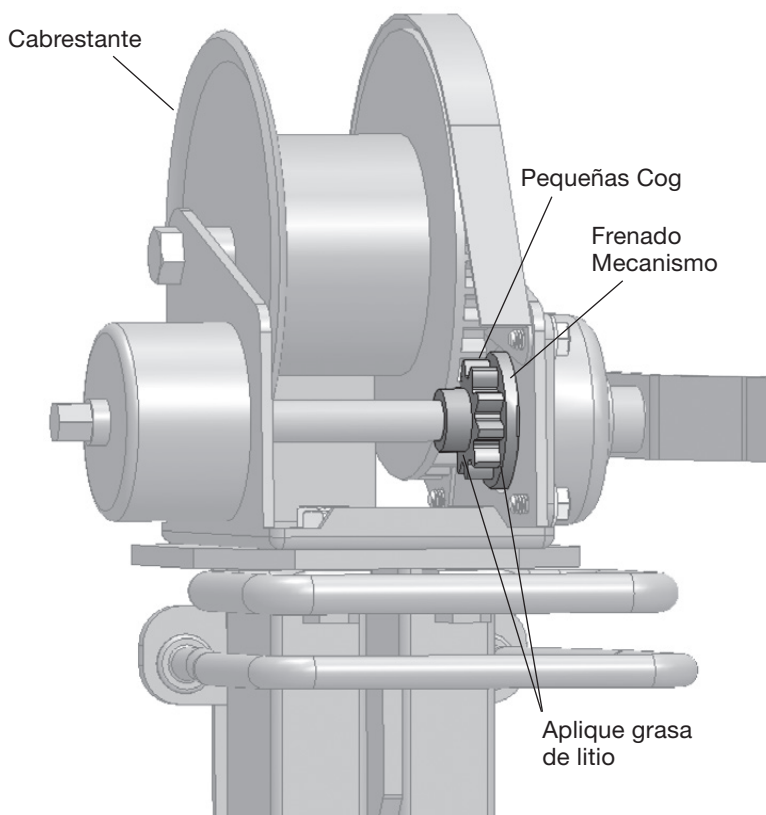
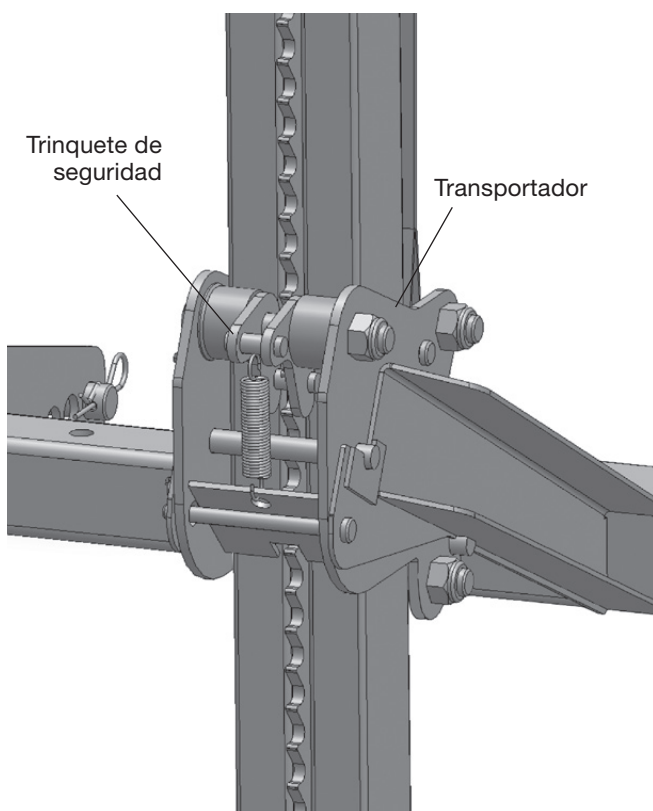
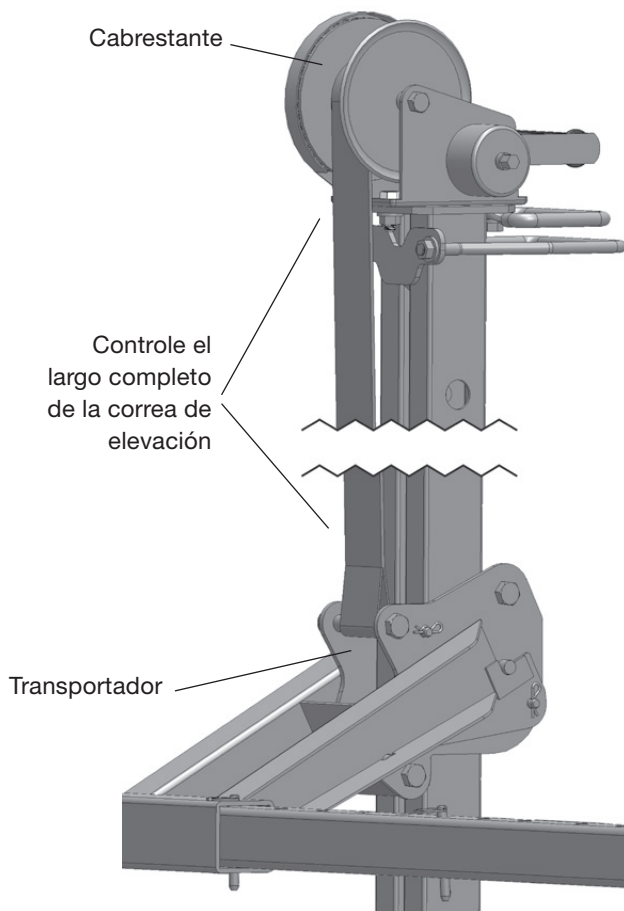
Elevación del equipo MoJack PRO con un taladro eléctrico (opcional)

- El equipo MoJack PRO se puede elevar o bajar utilizando un taladro con cable de velocidad variable (7 amp. mínimo) o un taladro sin cable de velocidad variable (18 V mínimo).
 - El taladro requerirá una llave de 7/16" (no incluida).
 - Extraiga la manivela del cabrestante quitando la tuerca Nylock.
- ⚠** El operador debe sostener el taladro con firmeza antes de subir o bajar el brazo elevador.
- Coloque con firmeza la llave de 7/16" en el reductor del taladro. Haga girar el taladro a la inversa (sentido antihorario) para hacer subir el brazo elevador y hacia adelante (sentido horario) para hacer descender el brazo elevador.
 - La manija de liberación del trinquete y el asa de seguridad se deben apretar juntas al bajar el brazo elevador.
 - Siga todas las demás instrucciones de funcionamiento para utilizar el accesorio de taladro.
 - Vuelva a colocar la manivela del cabrestante para el uso posterior.

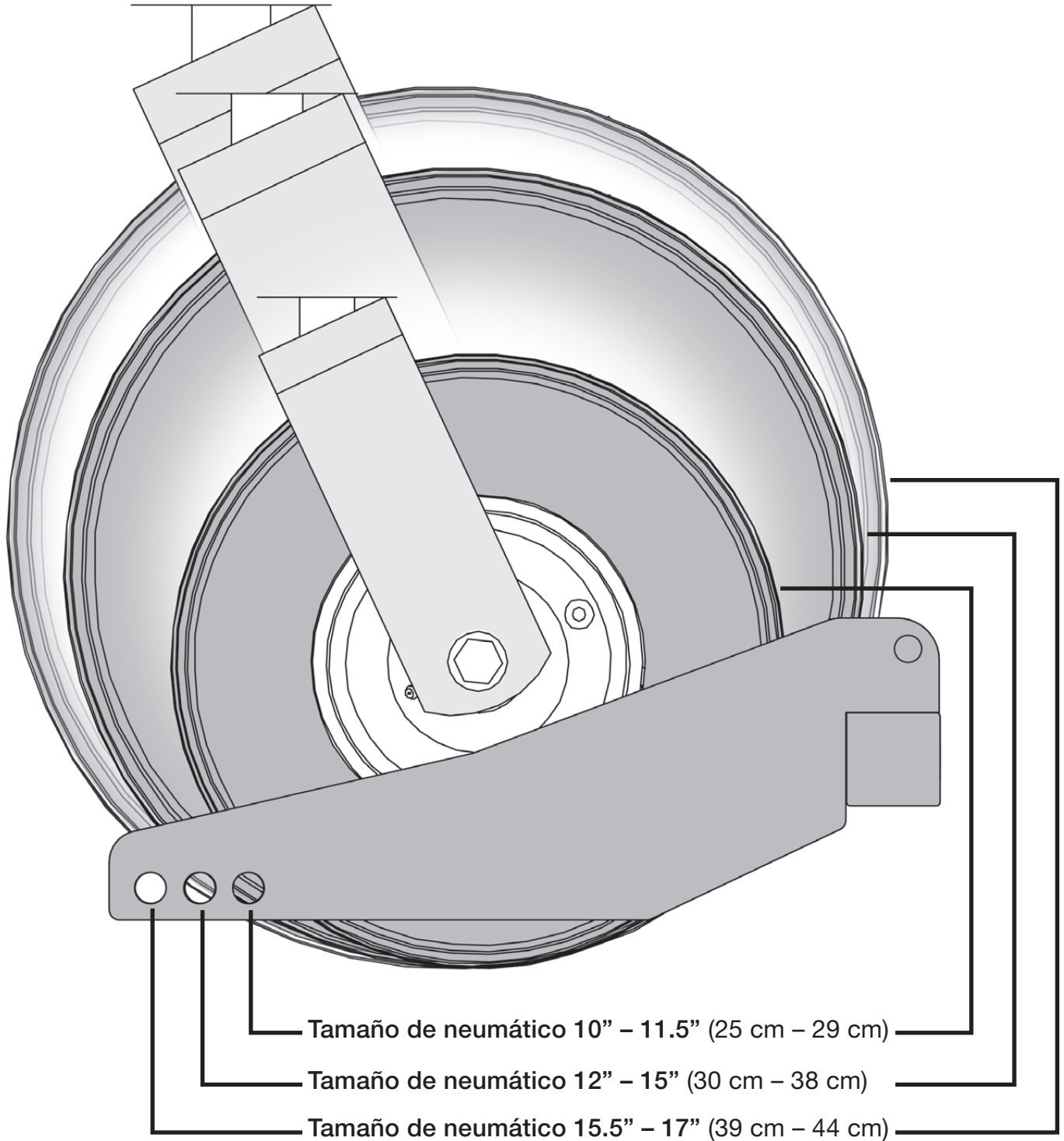



Programa de mantenimiento

- Antes de cada uso, controle si hay partes gastadas, sueltas o dañadas en el elevador MoJack PRO. Si hubiera partes dañadas, no utilice el elevador MoJack PRO y póngase en contacto con MoJack llamando al 1-877-575-3173.
- Controle la correa de elevación antes de cada uso. Verifique que la correa de elevación no esté dañada o rasgada y que la costura del bucle esté firme. Si detecta alguno de los daños mencionados, no utilice el elevador MoJack PRO y póngase en contacto con MoJack llamando al 1-877-575-3173.
- Controle que el trinquete de seguridad esté funcionando en forma adecuada. Cuando el transportador sube, el “clic” que se escucha indica que el trinquete de seguridad está funcionando en forma adecuada. Haga subir el transportador a la altura de trabajo y gire la manivela del cabrestante 1/2 vuelta en sentido antihorario para liberar la tensión de la correa de liberación. Si el transportador no está apoyado con firmeza en el trinquete de seguridad y sigue habiendo tensión en la correa de elevación, no utilice el elevador MoJack PRO y llame a MoJack al 1-877-575-3173.
- Aplique grasa de litio en la pequeña pieza del torno y entre la pequeña pieza en el torno y el mecanismo de frenado, y los dientes y el perno de la barra de seguridad una vez al año o cada 50 usos.

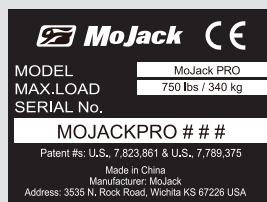


Guía de varillas de soporte para tamaños de neumáticos



 No es para uso con neumáticos de más de 17" (44cm) de tamaño

Introduction



Ce manuel traite de l'assemblage et des pièces ainsi que des directives d'utilisation, d'entretien, de réglage et de sécurité pour votre élévateur MoJack Pro.

VEUILLEZ LIRE ATTENTIVEMENT CE MANUEL EN ENTIER AVANT D'UTILISER VOTRE MOJACK PRO.

En suivant ces directives d'utilisation, d'entretien, et de sécurité, vous prolongerez la durée de vie de votre élévateur MoJack et favoriserez une opération sécuritaire.

Si vous avez besoin de renseignements additionnels ou des services d'un mécanicien spécialisé, veuillez communiquer avec votre concessionnaire ou votre distributeur d'équipement MoJack autorisé.

Toutes les pièces de MoJack sont testées et inspectées en profondeur avant de quitter l'usine afin de s'assurer qu'elles se conforment à toutes les normes de sécurité pertinentes.

REMARQUE : Veuillez conserver ce manuel à des fins de référence future.

NOTE: Emplacement de l'unité le numéro de série.

Need Assistance?

Please **DO NOT** return this product to the store.

Our Customer Service Department is ready to help!
1-877-575-3173

¿Necesita ayuda?

¡NO devuelva este producto a la tienda!

¡Nuestro Departamento de Servicio de Atención al Cliente está listo para ayudarle!
1-877-575-3173

Besoin d'assistance ?

NE renvoyez **PAS** ce produit au magasin .

Notre service clientèle est là pour vous aider !
1-877-575-3173

Submit your questions online at:
Envie sus preguntas por Internet a:

Vous pouvez également transmettre votre question en ligne à l'adresse suivante :






















www.theMoJack.com

Brevet No. 7,823,861 et No. 7,789,375

© 2011 MoJack Distributors, LLC.

MoJack est une marque déposée de MoJack Distributors, LLC.
MoJack PRO est une marque de commerce de MoJack Distributors, LLC.

Avertissements et directives de sécurité

-  Veuillez lire et comprendre toutes les directives de sécurité et d'utilisation avant d'utiliser le MoJack PRO.
-  Ne permettez jamais à quiconque qui n'est pas familier avec les directives de sécurité et d'utilisation d'opérer le MoJack PRO.
-  Suivez toutes les directives de sécurité et d'entretien fournies par le fabricant de la tondeuse avant d'utiliser le MoJack PRO.
-  Ne jamais modifier le MoJack. Toute modification entraînera une annulation de la garantie et pourra compromettre votre sécurité.
-  Lorsque vous utilisez le MoJack PRO, gardez toutes les personnes environnantes à une distance sécuritaire du MoJack PRO.
-  Le MoJack PRO doit être utilisé sur une surface solide et plane.
-  Ne soulevez pas l'extrémité avant et l'extrémité arrière de la tondeuse en même temps.
-  N'utilisez pas l'élévateur MoJack PRO pour d'autres objets qu'une tondeuse, à moins que l'accessoire approprié ne soit utilisé.
-  Arrêtez toujours le moteur et retirez la clé avant de commencer tout travail sur la tondeuse.
-  Ne faites jamais fonctionner le moteur de la tondeuse lorsque vous utilisez le MoJack PRO.
-  N'excédez jamais la capacité de levage de 750 livres (340 kg).
-  Si la tour du MoJack PRO s'incline au cours du levage ou de l'abaissement de la tondeuse, cela indique une condition de surcharge. Retirez immédiatement la tondeuse.
-  La tour doit être verrouillée en place à l'aide de la goupille de verrouillage avant d'utiliser le MoJack PRO.
-  Ne retirez pas les avertissements ou les décalques de sécurité du MoJack PRO.
-  Avant chaque utilisation, vérifiez toujours si les pièces sont usées, desserrées ou endommagées sur le MoJack PRO. En présence de pièces endommagées, n'utilisez pas le MoJack PRO et communiquez avec MoJack au 1-877-575-3173.
-  Ne grimpez pas sur la tondeuse lorsqu'elle est en position soulevée, ou lors de son levage ou de son abaissement.
-  Personne ne doit se trouver sur la tondeuse lorsqu'elle est en position soulevée, ou lors de son levage ou de son abaissement.
-  Après que la tondeuse ait été soulevée à une hauteur de travail, placez toujours des cales de roue (non fournies) sous les roues arrière de la tondeuse.
-  Les appuis pour roue doivent être à une distance égale par rapport au bras du levage afin d'assurer un bon équilibre.
-  Retirez tous les accessoires de la tondeuse avant d'utiliser le MoJack PRO.
-  Le manquement à suivre ces avertissements peut entraîner des dommages à la propriété ainsi que des blessures graves ou la mort.

IMPORTANT: Le MoJack PRO est conçu pour une utilisation avec les tondeuses à siège seulement. N'excédez jamais 750 livres (340 kg). Il ne devrait jamais être utilisé pour l'entretien d'autres types de machine à moins qu'un accessoire MoJack approuvé ne soit installé pour le type de machine. Veuillez consulter votre concessionnaire ou distributeur MoJack.

Garantie et retours

GARANTIE LIMITÉE

Cette garantie protège le châssis de levage contre l'échec en raison de défaut de matériel ou de fabrication lorsque le produit est utilisé correctement pendant deux ans à usage résidentiel et un an d'utilisation commerciale. Le treuil de levage est garanti contre l'échec en raison de défaut de matériau ou de fabrication pendant un an d'utilisation correcte. MoJack remplacera sans frais toute pièce défectueuse. Cette garantie ne couvre pas les produits qui ont été modifiés ou ajustés ou tout produit ayant été mal utilisé ou ayant fait l'objet d'une utilisation abusive. IL S'AGIT DU RECOURS UNIQUE ET EXCLUSIF DU CLIENT. MOJACK DÉCLINE TOUTE GARANTIE IMPLICITE, INCLUANT LA GARANTIE DE QUALITÉ MARCHANDE ET D'ADAPTATION À UN USAGE PARTICULIER. MOJACK NE SERA PAS TENU RESPONSABLE DE TOUT DOMMAGE INDIRECT OU CONSÉCUTIF. CERTAINS ÉTATS OU PROVINCE NE PERMETTENT PAS L'EXCLUSION OU LA LIMITATION DE GARANTIE IMPLICITE OU LE RECOURS POUR LA VIOLATION DE GARANTIE IMPLICITE, LES PRÉSENTES EXCLUSIONS PEUVENT AINSI NE PAS S'APPLIQUER À VOUS. CETTE GARANTIE LIMITÉE VOUS DONNE DES DROITS SPÉCIFIQUES RECONNUS PAR LA LOI ET VOUS POUVEZ AVOIR D'AUTRES DROITS QUI VARIENT D'UN ÉTAT À L'AUTRE OU D'UNE PROVINCE À L'AUTRE.

Quels sont les éléments couverts par la garantie?

Cette garantie couvre contre une défaillance due à un défaut de matériel ou de fabrication. Il inclut une garantie d'un an sur le treuil de levage de la date de purchase. Le châssis de levage comprend une garantie de deux ans à partir de la date d'achat pour un usage résidentiel, et une garantie d'un an à partir de la date d'achat pour une utilisation commerciale.

Quels sont les éléments non couverts par la garantie?

La présente garantie ne s'applique à aucun appareil MoJack dont la forme originale a été modifiée ou ajustée de quelque façon que ce soit. De plus, elle ne s'applique à aucun appareil MoJack endommagé faisant suite à une mauvaise utilisation, une utilisation abusive, un accident ou une négligence. La présente garantie ne protège pas contre les dommages indirects ou consécutifs.

Quelle est la période de couverture de la garantie?

Le cric de deux ans pour l'utilisation résidentielle; garantie d'un an pour l'utilisation commerciale à compter de la date d'achat par le propriétaire original. Le treuil de l'une ans à compter de la date d'achat par le propriétaire original.

Comment MoJack résoudra-t-il les problèmes?

Nous remplacerons, sans frais, toute pièce défectueuse (au cours de la période de couverture).

Comment puis-je obtenir du service?

Afin d'avoir droit au service en vertu de la présente garantie, vous DEVEZ enregistrer votre MoJack dans les trente (30) jours suivant l'achat. Vous devez conserver votre reçu comme preuve de la date d'achat. Vous pouvez enregistrer votre nouveau MoJack sur notre site Web au www.themojack.com ou en composant, sans frais, le 1-877-575-3173.

Coordonnées de MoJack pour la résolution de problèmes reliés à la garantie?

Vous pouvez communiquer avec nous via notre site Web au www.themojack.com ou en composant, sans frais, le 1-877-575-3173.

Ai-je d'autres droits en vertu des lois provinciales?

La présente garantie vous confère des droits spécifiques. Il se peut aussi que vous jouissiez d'autres droits qui varient d'une province à l'autre.

Quelle est la politique de retour?

Dans les trente (30) jours suivant la réception de votre MoJack. Veuillez communiquer avec MoJack au sujet des politiques et procédures de retour à notre numéro sans frais 1-877-575-3173 ou par courriel à info@themojack.com.

Comment dois-je procéder pour un retour?

Contactez-nous au cours de la période de retour. Nous vous ferons parvenir une autorisation de retour que vous devrez apposer sur la façade extérieure de la boîte. Toute la marchandise doit être retournée dans son emballage d'origine. Nous prendrons les dispositions nécessaires pour qu'un transporteur national vienne récupérer votre MoJack.

De quelle façon serai-je remboursé?

Le mode de remboursement est à notre discrétion. Si vous recevez un remboursement, veuillez prévoir quatre semaines pour appliquer le crédit à votre compte. Des frais de retour de marchandise seront déduits du montant de votre remboursement.

Les frais d'expédition sont-ils remboursables?

Non.

MoJack a-t-il une politique en matière de frais de retour de marchandise?

Oui. Les retours et les remboursements exigent un travail accru de notre part. Plutôt que de refiler ce coût au client en augmentant les prix des produits, nous faisons comme d'autres sociétés de l'industrie en appliquant des frais de service minimales aux retours de marchandise. Les frais de service sont de 20%.

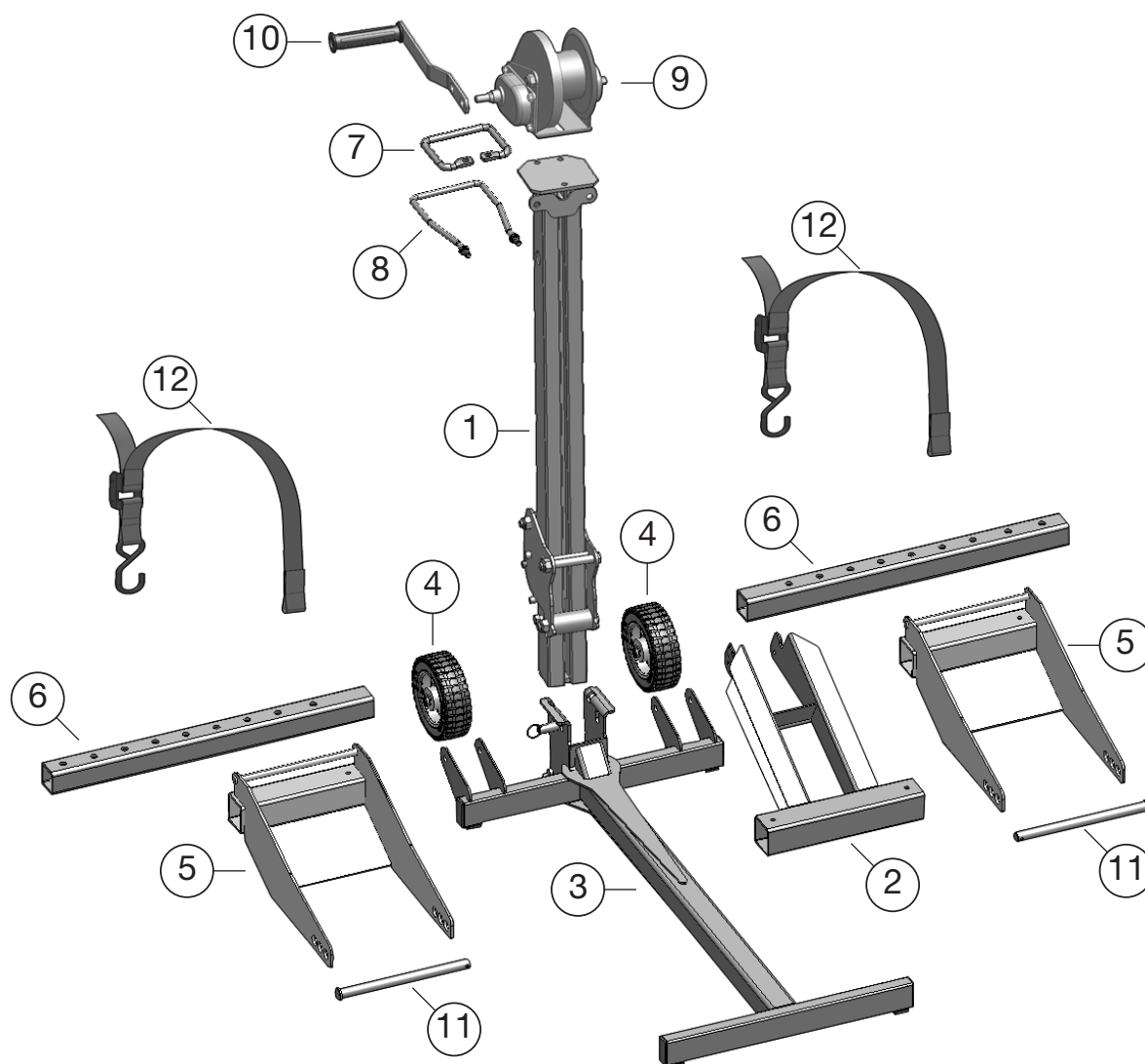
Comment puis-je joindre MoJack?

Vous pouvez nous joindre, sans frais, au 1-877-575-3173 ou par courriel à info@themojack.com.

Liste de pièces

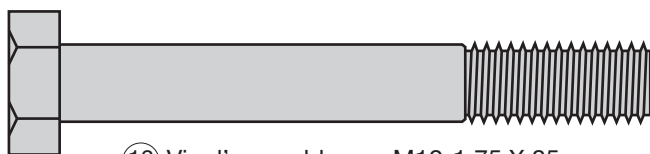
No d'article	Qté	Description
①	1	Tour
②	1	Bras de levage
③	1	Base
④	2	Roue
⑤	2	Appui pour roue
⑥	2	Pièce de bras de levage

No d'article	Qté	Description
⑦	1	Poignée de maintien
⑧	1	Poignée de dégagement de cliquet
○	1	Treuil
⑩	1	Poignée de treuil
⑪	2	Tige de soutien
⑫	2	Sangle de sécurité



Liste de quincaillerie

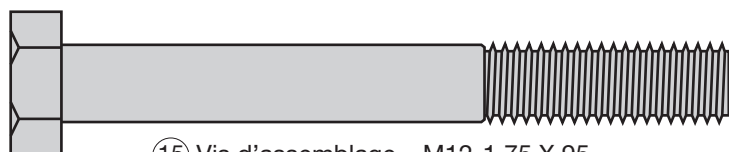
No d'article	Qté	Description	No d'article	Qté	Description
⑬	2	Vis d'assemblage – M12-1,75 X 85	⑲	1	Rondelle de poignée du treuil – 12 mm
⑭	4	Écrou nyloc – M12-1,75	⑳	1	Axe de chape
⑮	1	Vis d'assemblage – M12-1,75 X 95	㉑	4	Goupille-poussoir
⑯	3	Vis d'assemblage – M10-1,5 x 30	㉒	3	Épingle à cheveux
⑰	5	Écrou nyloc – M10-1,5	㉓	1	Vis d'assemblage – M14-2,0 X 100
⑱	3	Rondelle du treuil – 10 mm	㉔	1	Écrou nyloc – M14-2,0



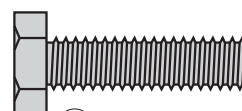
⑬ Vis d'assemblage – M12-1,75 X 85



⑭ Écrou nyloc – M12-1,75



⑮ Vis d'assemblage – M12-1,75 X 95



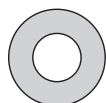
⑯ Vis d'assemblage – M10-1,5 x 30



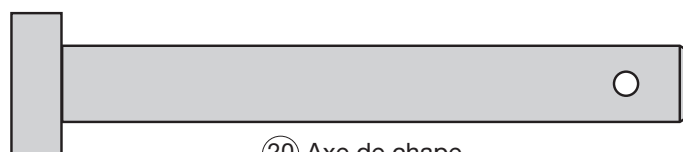
⑰ Écrou nyloc – M10-1,5



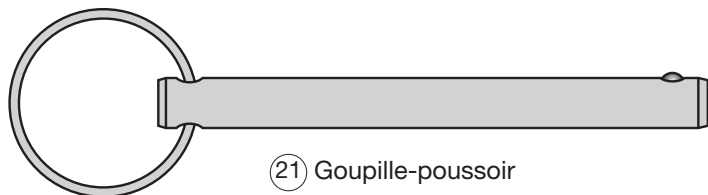
⑱ Rondelle du treuil – 10 mm



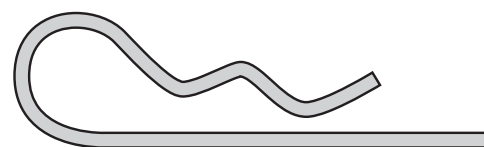
⑲ Rondelle de poignée du treuil – 12 mm



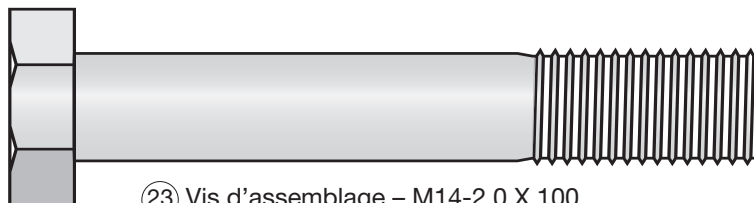
⑳ Axe de chape



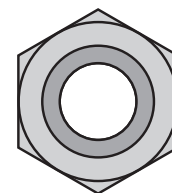
㉑ Goupille-poussoir



㉒ Épingle à cheveux

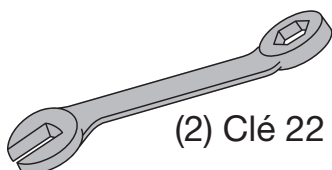


㉓ Vis d'assemblage – M14-2,0 X 100

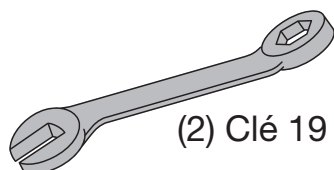


㉔ Écrou nyloc – M14-2,0

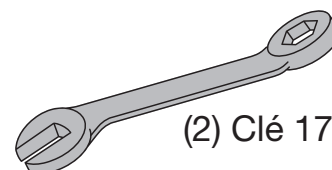
Outils requis pour l'assemblage



(2) Clé 22 mm



(2) Clé 19 mm



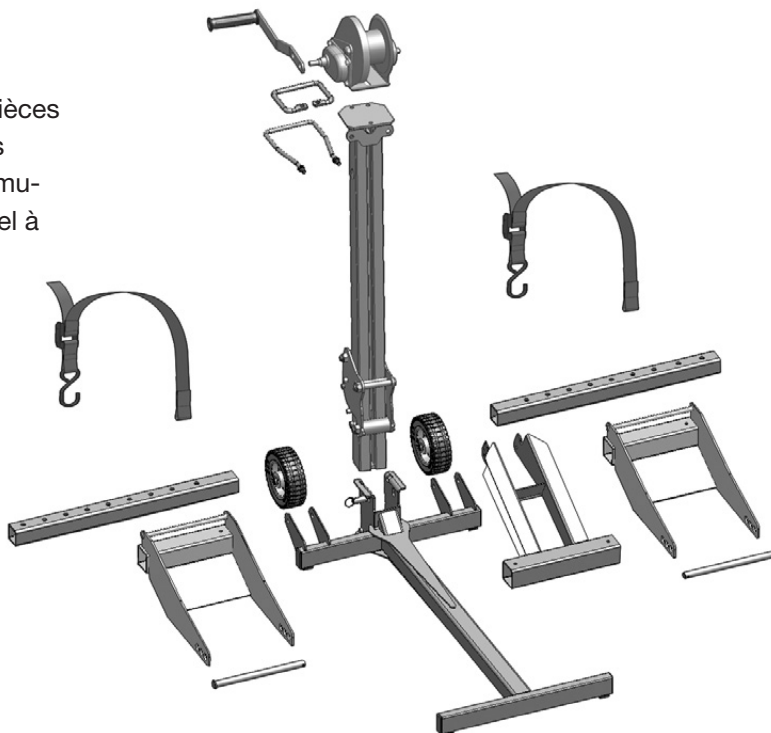
(2) Clé 17 mm

Directives d'assemblage

ÉTAPE 1

Retirez le MoJack PRO de l'emballage.

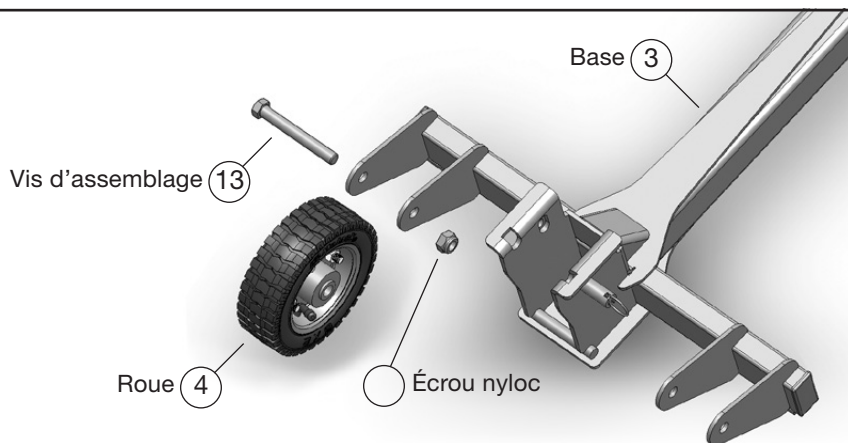
Vérifiez les articles pour vous assurer que toutes les pièces et la quincaillerie sont présentes. Si des pièces ou des articles de quincaillerie sont manquants, veuillez communiquer avec MoJack au 1-877-575-3173 ou par courriel à parts@themojack.com.



ÉTAPE 2

Assemblez la roue (4) à la base (3) en insérant une vis d'assemblage (13) et un écrou nyloc (14) et serrez. Faites de même avec la deuxième roue.

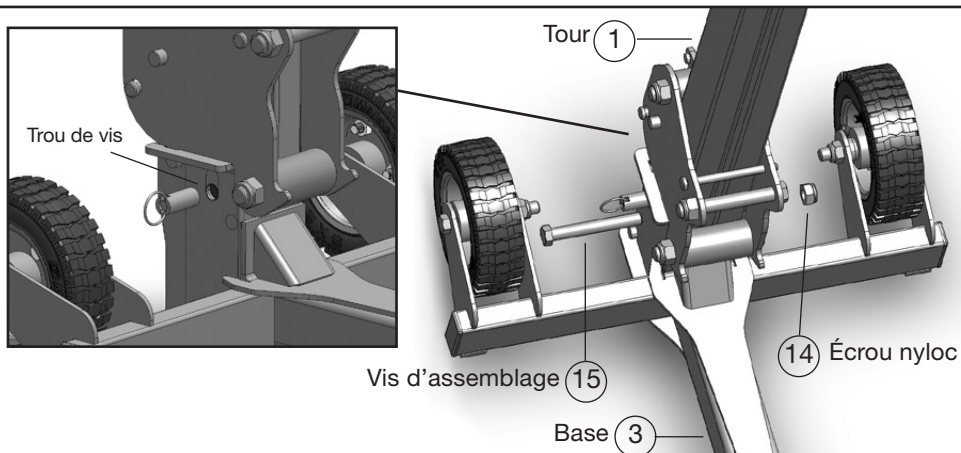
Remarque: Ne serrez pas trop Écrou nyloc.



ÉTAPE 3

Fixez la tour (1) à la base (3) en utilisant une vis d'assemblage (15) et un écrou nyloc (14) tel que montré.

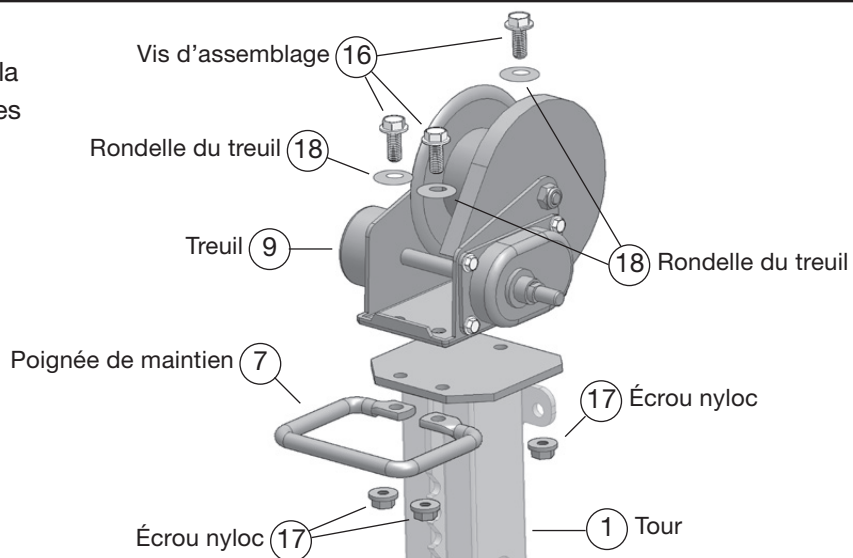
Remarque: Ne serrez pas trop Écrou nyloc.



Directives d'assemblage

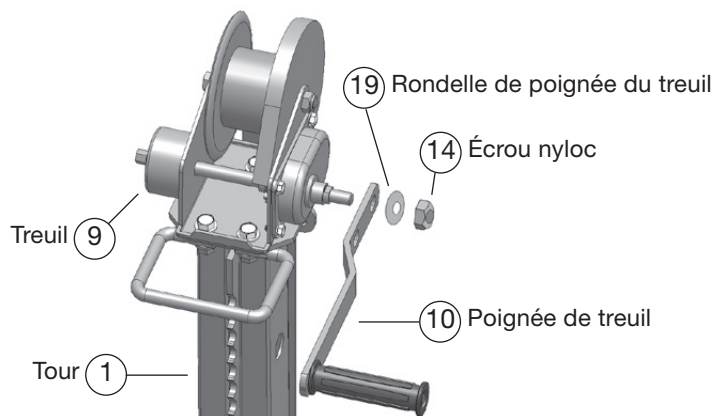
ÉTAPE 4

Fixez le treuil (9) et la poignée de maintien (7) à la tour (1) en utilisant des vis d'assemblage (16), des écrous nyloc (17) et les rondelles du treuil (18) et serrez tel que montré.



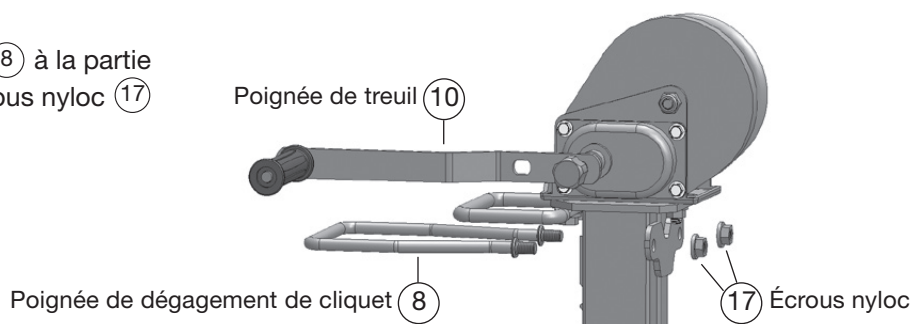
ÉTAPE 5

Fixez la poignée du treuil (10) au treuil (9) en utilisant un écrou nyloc (14) et la rondelle de poignée du treuil (19) et serrez tel que montré.



ÉTAPE 6

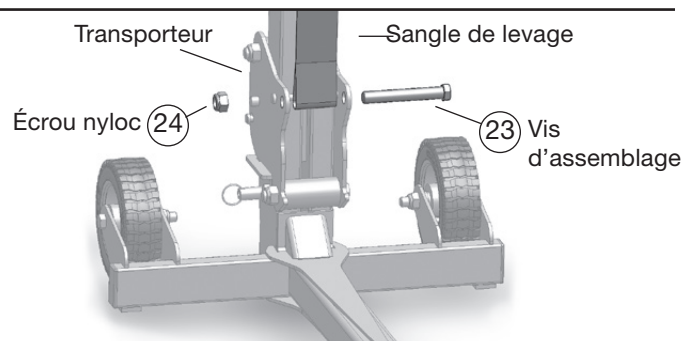
Fixez la poignée de dégagement de cliquet (8) à la partie supérieure de la tour (1) en utilisant des écrous nyloc (17) et serrez tel que montré.



ÉTAPE 7

Fixez la sangle de levage de la bobine du treuil au transporteur en utilisant une vis d'assemblage (23) et un écrou nyloc (24) et serrez tel que montré.

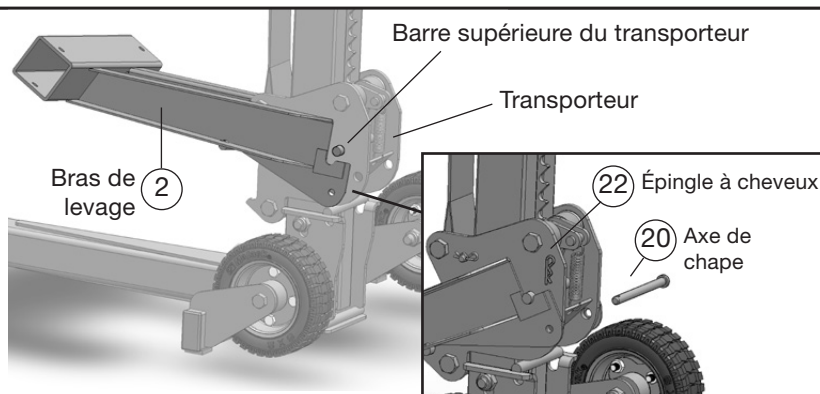
Remarque: Ne serrez pas trop Écrou nyloc.



Directives d'assemblage

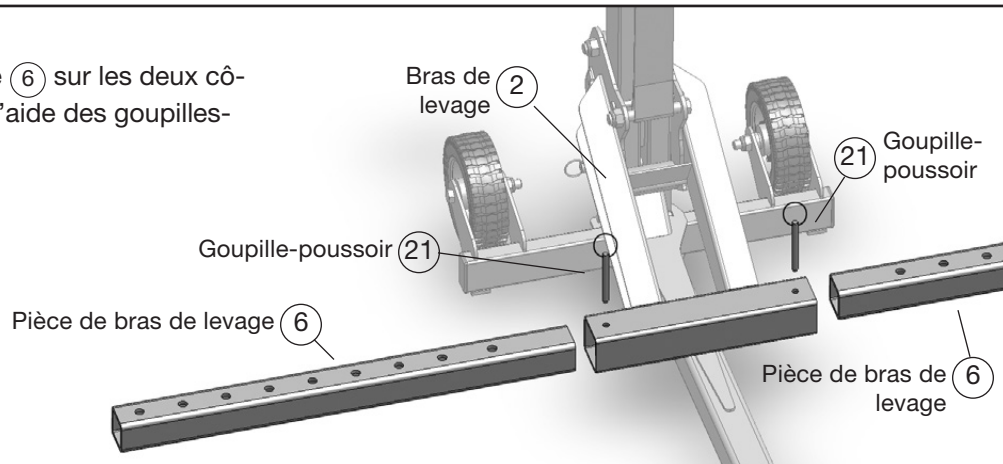
ÉTAPE 8

Suspendez le bras de levage (2) sur le transporteur en insérant la zone à rainure du bras de levage en-dessous de la barre supérieure du transporteur. Le bras de levage doit être inséré à partir de l'avant et puis, abaissé afin de fixer le bras de levage en place. Insérez l'axe de chape (20) dans le trou du transporteur et verrouillez en fixant l'épingle à cheveux (22) à l'axe de chape.



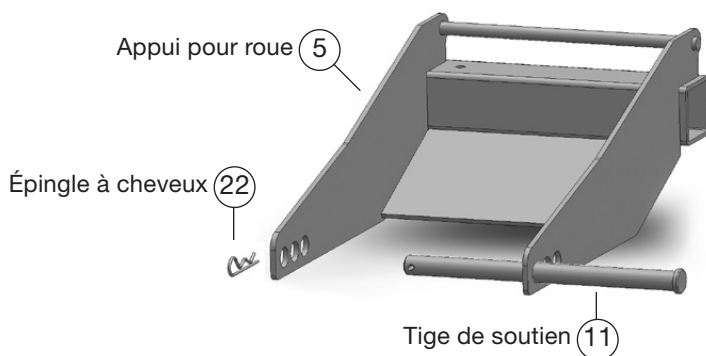
ÉTAPE 9

Glissez les pièces de bras de levage (6) sur les deux côtés du bras de levage (2) et fixez à l'aide des goupilles-poussoirs (21) tel que montré.



ÉTAPE 10

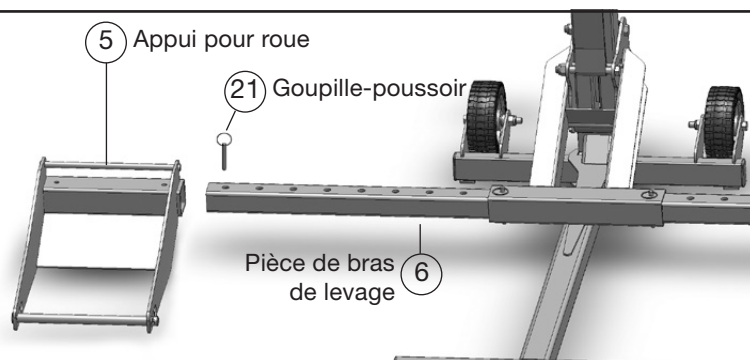
Préparez les appuis pour roue (5) pour l'installation en ajoutant les tiges de soutien (11) et les épingles à cheveux (22).



ÉTAPE 11

Glissez les appuis pour roue (5) sur les deux côtés des pièces du bras de levage (6) et fixez à l'aide des goupilles-poussoirs (21).

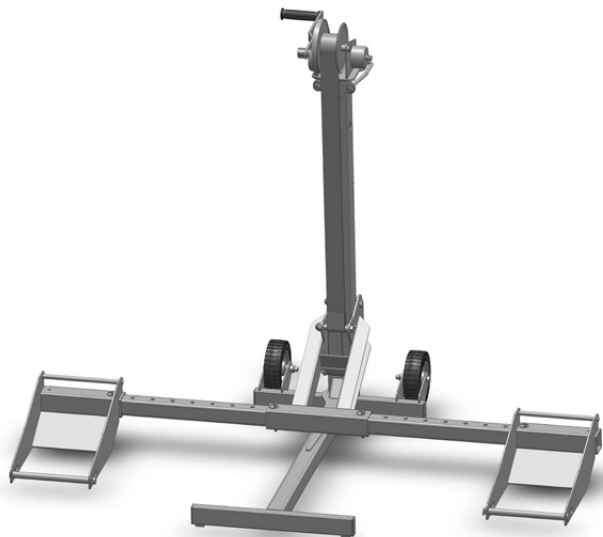
Remarque : Les appuis de roue peuvent être déplacés vers l'intérieur ou l'extérieur pour s'adapter à différentes largeurs de tondeuse. Utilisez la configuration qui convient le mieux à votre modèle de tondeuse.



CELA TERMINE L'ASSEMBLAGE.

Directives d'utilisation

Certaines étapes des directives d'utilisation sont identiques à celles des directives d'assemblage. Les directives d'utilisation montreront un cycle d'utilisation complet du MoJack PRO.



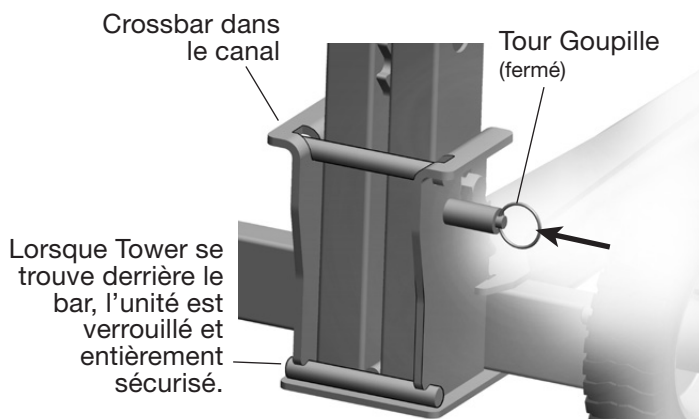
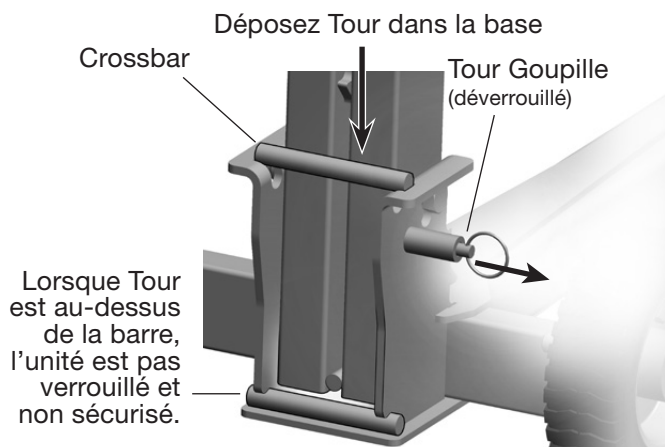
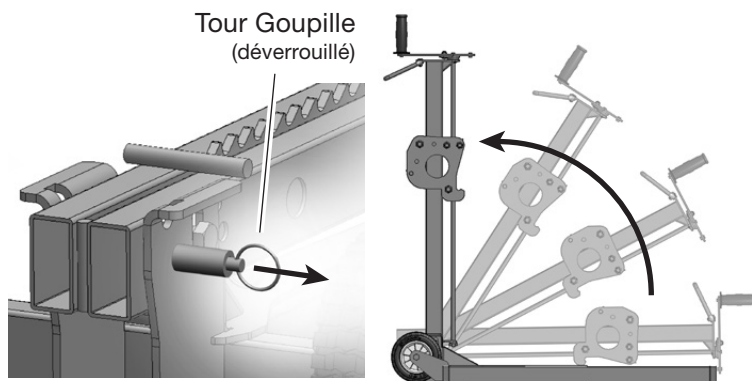
 Veuillez lire entièrement ce manuel avant d'utiliser votre MoJack PRO.

Préparation du MoJack PRO pour l'utilisation (Étapes 1 à 8)

ÉTAPE 1

Dépliage du MoJack XT

- Tirez sur la goupille de verrouillage pour déverrouiller.
- Soulevez le Tour en tirant sur la poignée Grip. Une fois que le Tour est dans la position verticale, soulevez la poignée Grip et déposez le Tour dans la base.
- La tour sera bien verrouillé en place lorsque la goupille de verrouillage se rétracte et la tour est bien au chaud dans le canal derrière la barre transversale.

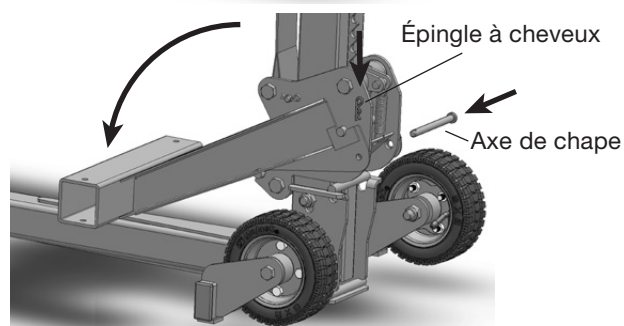
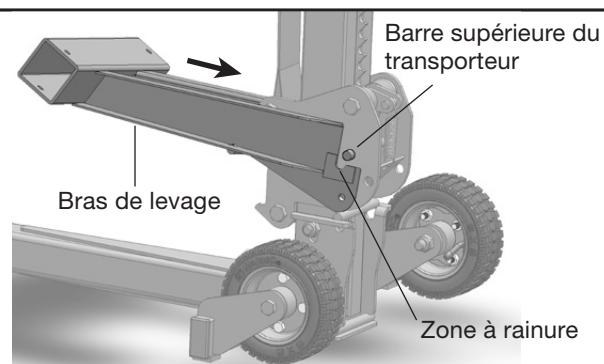


Directives d'utilisation

ÉTAPE 2

Installation du bras de levage

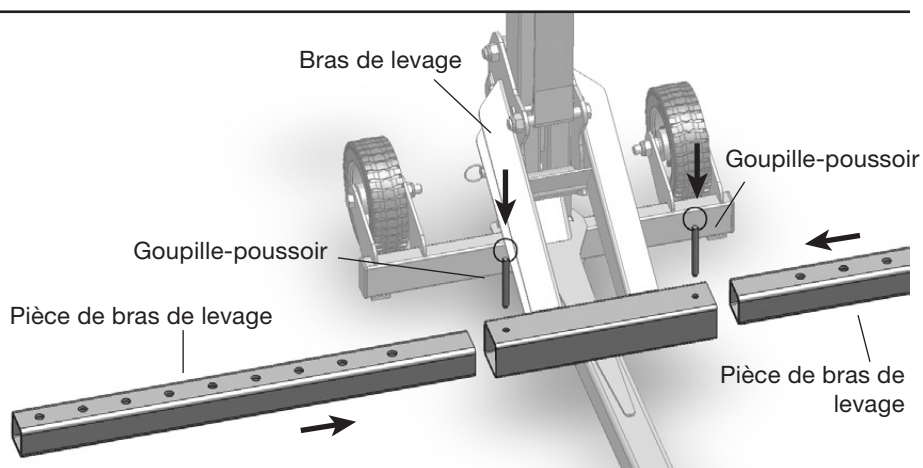
- Suspendez le bras de levage sur le transporteur en insérant la zone à rainure du bras de levage en-dessous de la barre supérieure du transporteur. Le bras de levage doit être inséré à partir de l'avant et puis, abaissé afin de fixer le bras de levage en place.
- Fixez le bras de levage sur le transporteur à l'aide de l'axe de chape et de l'épingle à cheveux.



ÉTAPE 3

Installation des pièces du bras de levage

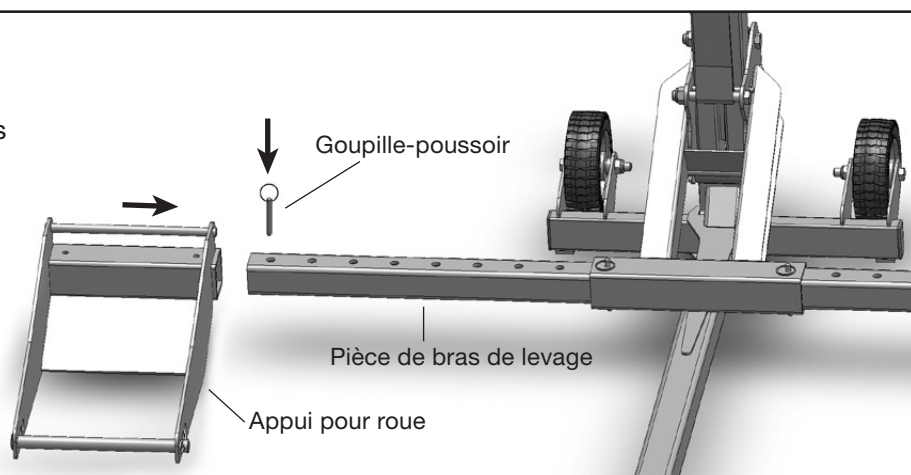
- Glissez les pièces de bras de levage sur les deux côtés du bras de levage et fixez à l'aide des goupilles-poussoirs.



ÉTAPE 4

Installation des appuis pour roue

- Glissez les appuis pour roue sur les pièces de bras de levage et fixez temporairement avec les goupilles-poussoirs.

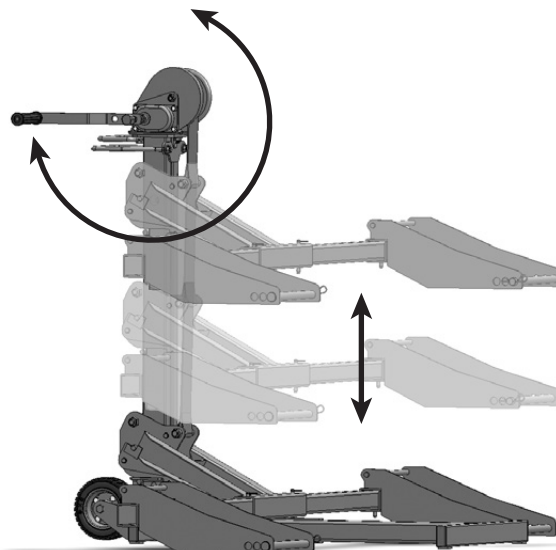


Directives d'utilisation

ÉTAPE 5

Familiarisez-vous avec le MoJack PRO

- Pratiquez-vous à soulever et à abaisser le bras de levage avant de tenter de soulever la tondeuse. (consultez les étapes 9 à 16 sur la façon de soulever et d'abaisser le bras de levage)
- Pratiquez-vous à effectuer l'étape 21 si vous avez l'intention de soulever ou d'abaisser la tondeuse à l'aide d'une perceuse.

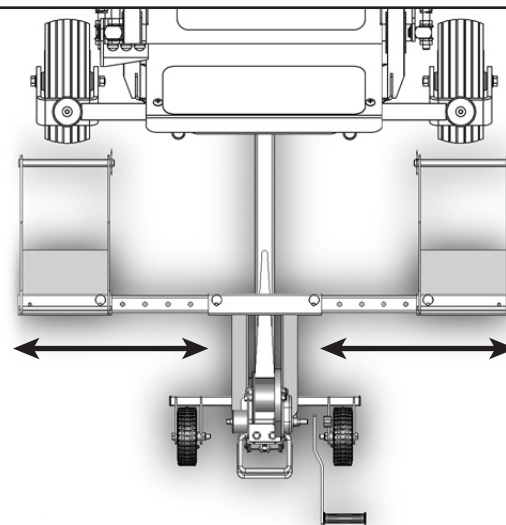


ÉTAPE 6

Alignement des appuis pour roue pour l'adaptation à la tondeuse

- Placez les pneus avant de la tondeuse 6 po (15,24 cm) à l'avant des appuis pour roue.
- Retirez les goupilles-poussoirs et alignez les appuis pour roue de sorte que les pneus avant de la tondeuse soient centrés par rapport aux appuis pour roue.
- Remplacez les goupilles-poussoirs pour verrouiller les appuis pour roue dans le bras de levage.

⚠ Les appuis pour roue doivent être à une distance égale par rapport au bras du levage afin d'assurer un bon équilibre.

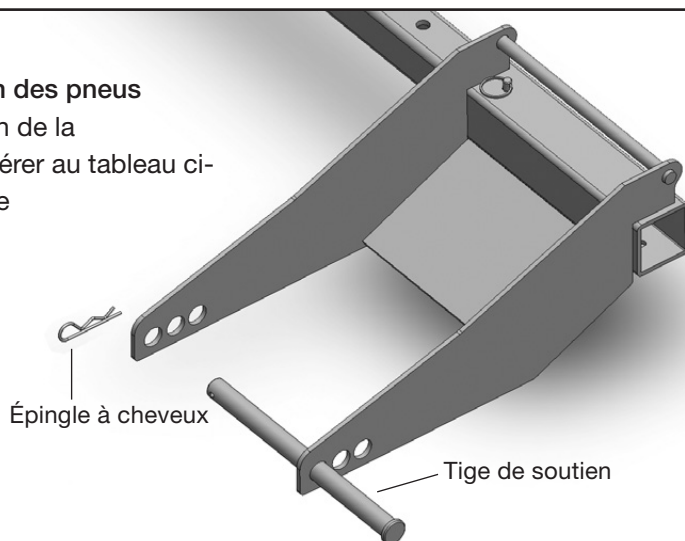


ÉTAPE 7

Ajustement des tiges de soutien en fonction de la dimension des pneus

- Ajustez les tiges de soutien des appuis pour roue en fonction de la dimension des pneus avant de la tondeuse. Veuillez vous référer au tableau ci-dessous pour le positionnement des tiges de soutien selon le diamètre des pneus avant de la tondeuse.
- Fixez les tiges de soutien aux appuis pour roue à l'aide des épingles à cheveux.

GUIDE DES TIGES DE SOUTIEN POUR LES DIMENSIONS DE PNEU	
10 po à 11,5 po (25 cm à 29 cm)	
12 po à 15 po (30 cm à 38 cm)	
15,5 po à 17 po	



Directives d'utilisation

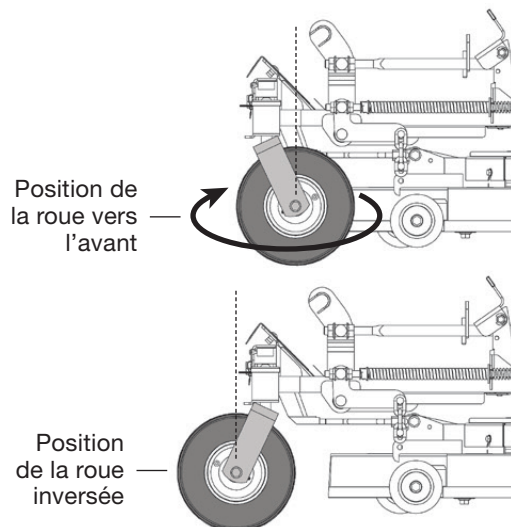
ÉTAPE 8

Inversez les pneus avant de la tondeuse (*facultatif – si ce n'est pas applicable, passez à l'étape 9*)

- Dans certains cas, le carter de la tondeuse ou les roues anti-dégazonnement frapperont le bras de levage lors du soulèvement de la tondeuse.

C'est souvent le cas lorsqu'une partie du carter (incluant les roues anti-dégazonnement) excède la ligne centrale des roues avant de la tondeuse.

- Tournez les pneus avant de 180 degrés de sorte qu'ils soient à la position inversée.
- Retirez les tiges de soutien des appuis pour roue et glissez le MoJack PRO sous la tondeuse.
- Fixez les tiges de soutien aux appuis pour roue à l'aide des épingles à cheveux.

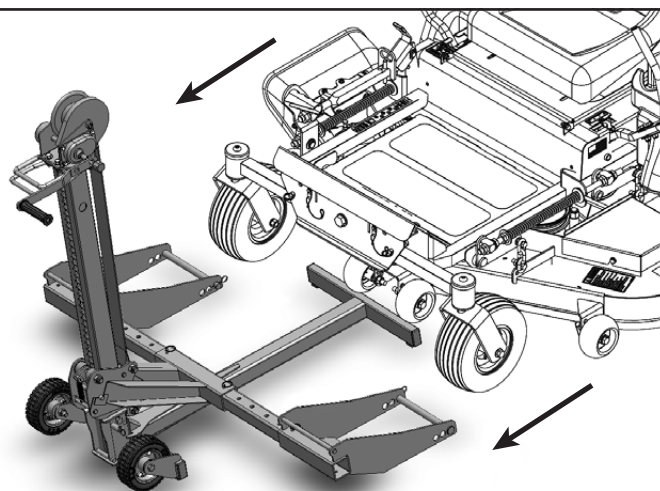


Utilisation du MoJack PRO (Étapes 9 à 16)

ÉTAPE 9

Déplacement de la tondeuse sur le MoJack PRO

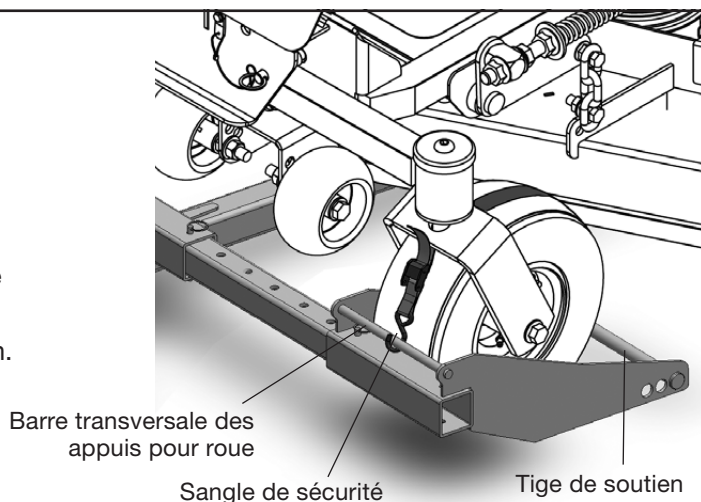
- ⚠ Le MoJack PRO doit être utilisé sur une surface solide et plane.
- Placez la tondeuse sur les appuis de roue en la conduisant ou en la poussant.
- ⚠ Arrêtez le moteur et retirez la clé.



ÉTAPE 10

Installation des sangles sur les pneus avant de la tondeuse et les appuis de roue

- Fixez les pneus avant de la tondeuse aux appuis pour roue à l'aide des sangles de sécurité (14). Fixez le crochet de la sangle de sécurité à la barre transversale des appuis pour roue et insérez la tige de soutien dans la boucle de la sangle de sécurité en détachant la tige de soutien et en glissant la boucle de la sangle de sécurité et en fixant la tige de soutien.
- Serrez les sangles de sécurité sur le dessus des pneus pour fixer la tondeuse aux appuis pour roue.

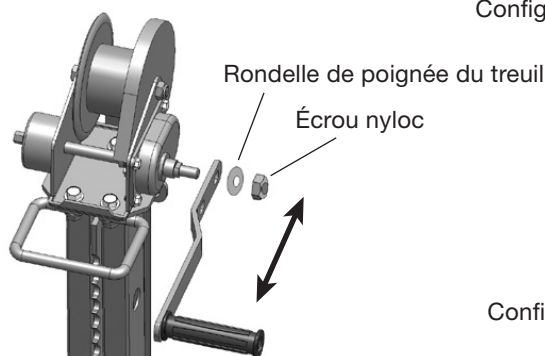


Directives d'utilisation

ÉTAPE 11

Ajustement de la poignée du treuil (en option)

- La longueur optimale de la poignée du treuil correspond à la configuration longue. Certaines tondeuses sont dotées d'une grille de protection ou de capots plus grands qui interfèrent avec la poignée du treuil plus longue. La poignée du treuil peut être ajustée en retirant l'écrou nyloc et la rondelle de poignée du treuil et en les installant dans une configuration plus petite.



Configuration longue – Rayon de 12 po (30,5 cm)

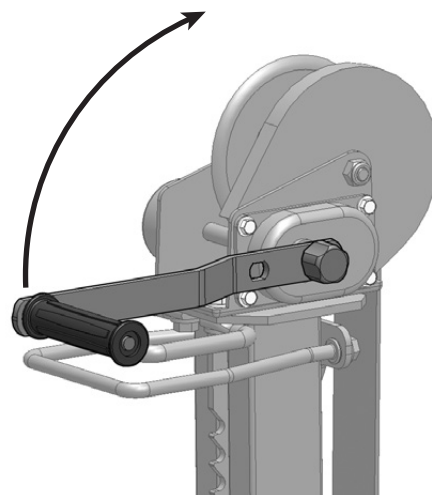
Configuration petite – Rayon de 10 po (25,4 cm)

ÉTAPE 12

Soulèvement de la tondeuse

- Soulevez la tondeuse en tournant la poignée du treuil en sens horaire.
- Consultez l'étape 21 pour le soulèvement de la tondeuse à l'aide d'une perceuse.

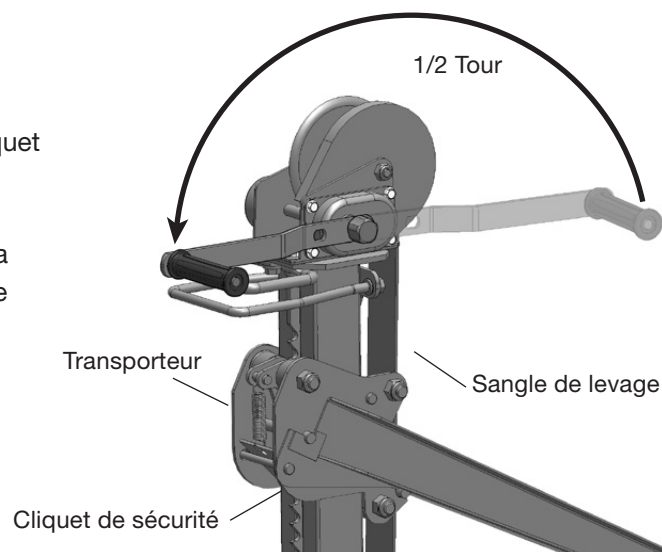
- ⚠ Ne tentez pas de soulever plus de 750 livres (340 kg).
- ⚠ Le MoJack PRO doit être utilisé sur une surface solide et plane.
- ⚠ Le moteur doit être éteint et la clé retirée.
- ⚠ La tondeuse doit être en position neutre.
- ⚠ Le frein de stationnement doit être désengagé pendant le soulèvement et/ou l'abaissement de la tondeuse.
- ⚠ Les sangles de sécurité doivent être solidement serrées.



ÉTAPE 13

Verrouillage du transporteur avec autobloquant à l'aide du cliquet de sécurité

- Pendant que le transporteur s'élève, le son indique que le cliquet de sécurité fonctionne correctement. Lorsque la tondeuse est soulevée à la hauteur de travail voulue, tournez la poignée du treuil 1/2 tour en sens anti-horaire pour libérer la tension de la sangle de levage et permettre au transporteur de s'appuyer fermement contre le cliquet de sécurité.

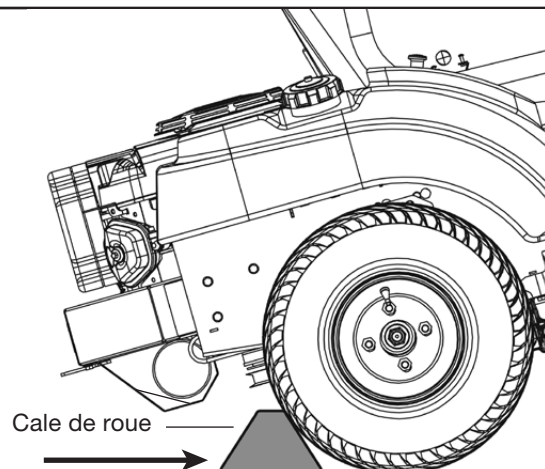


Directives d'utilisation

ÉTAPE 14

Préparation de la tondeuse pour l'entretien

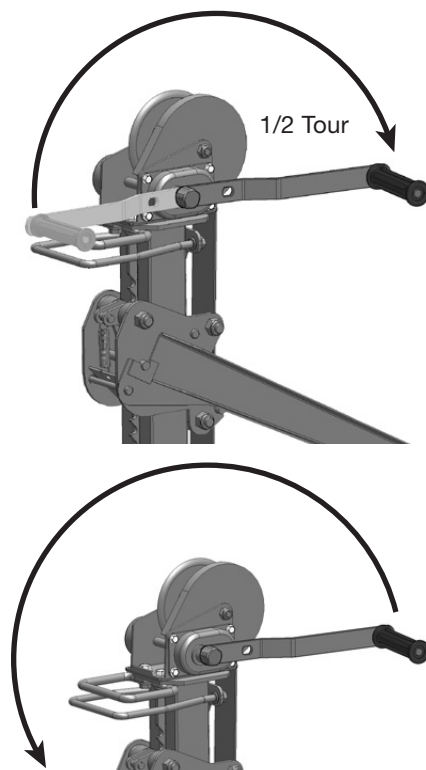
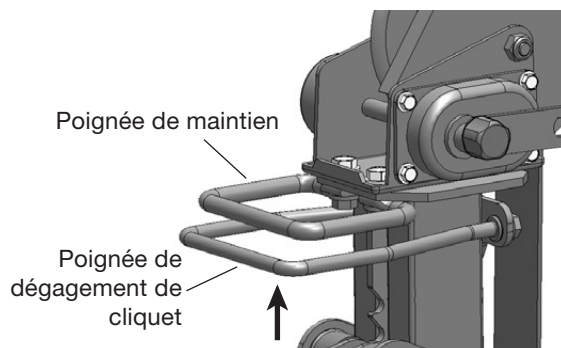
- Placez les cales de roue (non fournies) sous les roues arrière de la tondeuse.
- Appliquez maintenant le frein de stationnement sur la tondeuse.



ÉTAPE 15

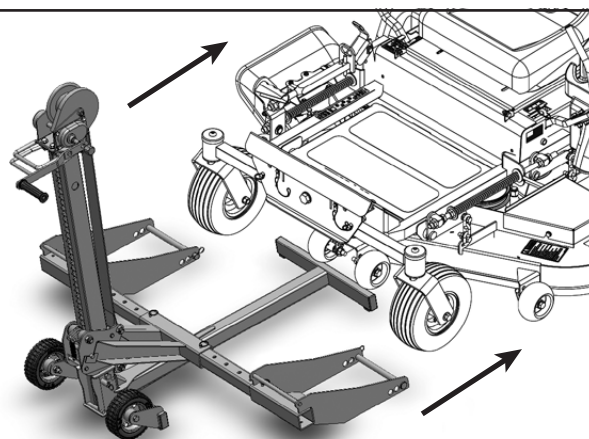
Abaissement de la tondeuse

- Retirez les cales de roue.
- Désengagez le frein de stationnement.
- La tondeuse doit être en position neutre.
- Tournez la poignée du treuil de 1/2 tour en sens horaire en pressant la poignée de maintien et la poignée de dégagement de cliquet l'une vers l'autre. En gardant pressées la poignée de maintien et la poignée de dégagement de cliquet l'une vers l'autre, tournez la poignée du treuil en sens anti-horaire jusqu'à ce que les appuis de roue soient fermement sur le sol.



ÉTAPE 16

Retrait de la tondeuse du MoJack PRO



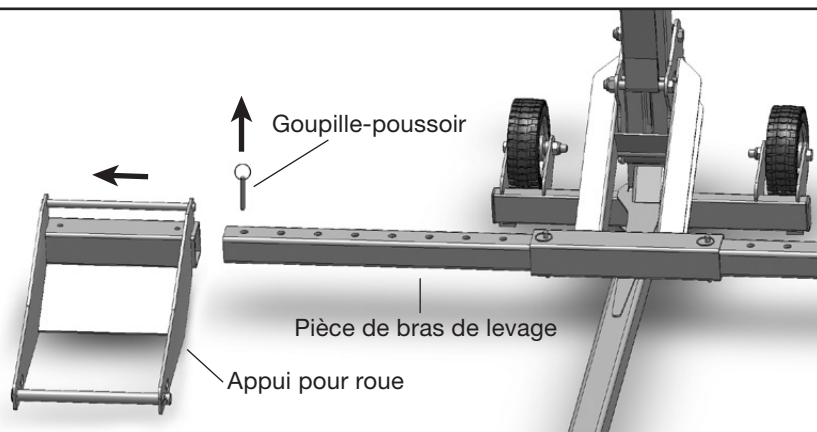
Directives d'utilisation

Préparation du MoJack PRO pour l'entreposage (Étapes 17 à 20)

ÉTAPE 17

Retrait des appuis de roue

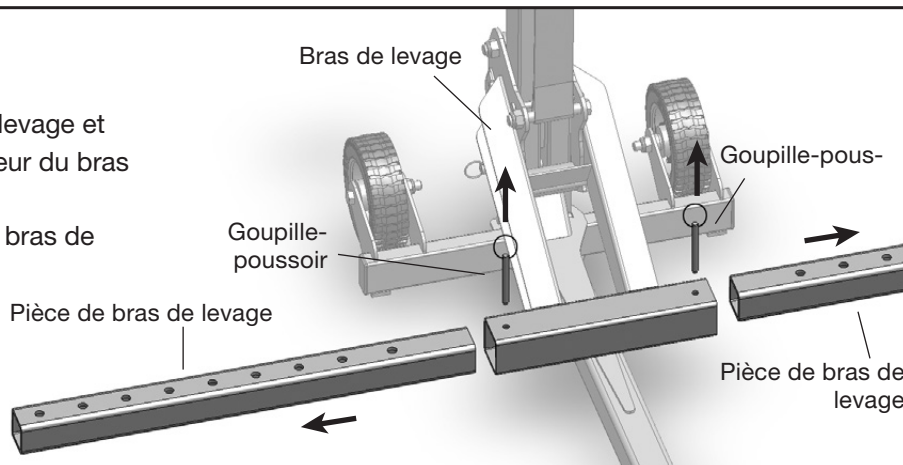
- Retirez les goupilles-poussoirs des appuis de roue et tirez les appuis pour roue à l'extérieur des pièces du bras de levage.
- Entreposez les goupilles-poussoirs dans les appuis de roue.



ÉTAPE 18

Retrait des pièces du bras de levage

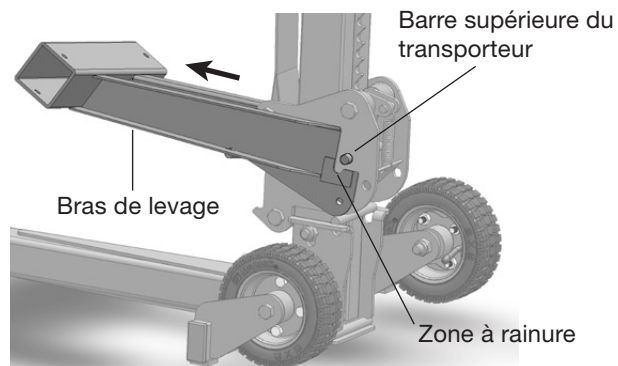
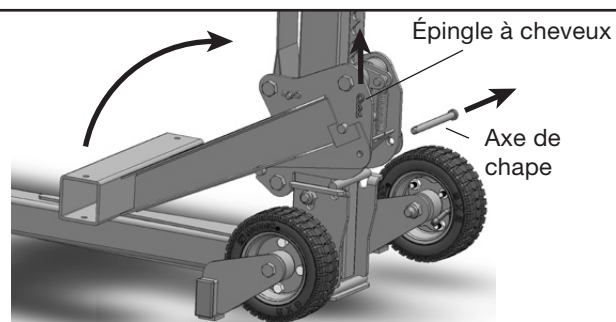
- Retirez les goupilles-poussoirs du bras de levage et tirez les pièces du bras de levage à l'extérieur du bras de levage.
- Entreposez les goupilles-poussoirs dans le bras de levage.



ÉTAPE 19

Retrait du bras de levage

- Retirez l'épingle à cheveux et l'axe de chape du bras de levage.
- Décrochez le bras de levage du transporteur en le soulevant de l'avant du bras de levage et en tirant.
- Entreposez l'axe de chape et l'épingle à cheveux dans le bras de levage.

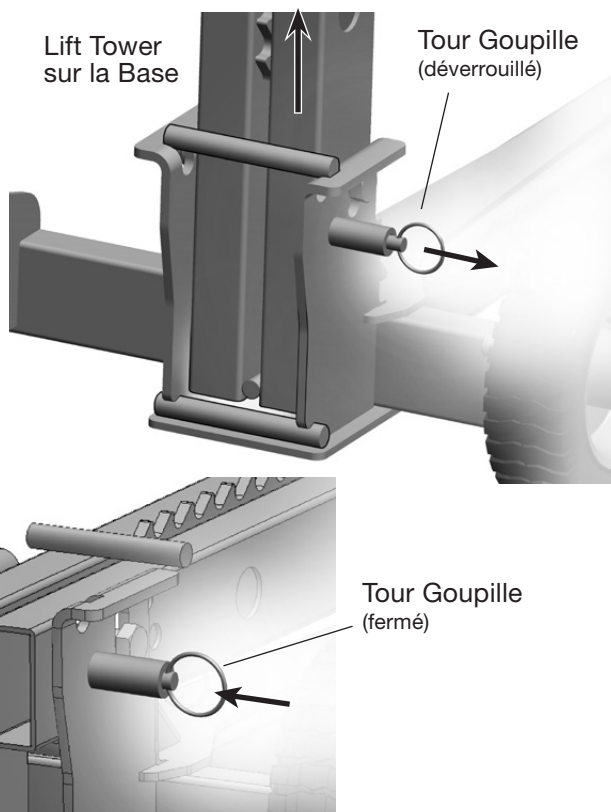
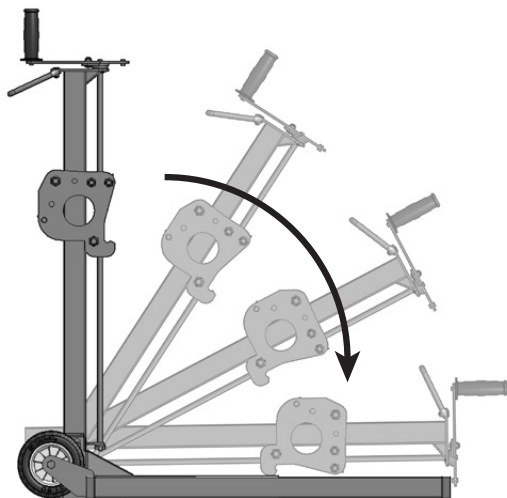


Directives d'utilisation

ÉTAPE 20

Repliement du MoJack XT

- Tirez sur la goupille de verrouillage pour déverrouiller.
- Soulevez le Tour sur la Base en tirant sur la poignée de préhension et puis baisser le Tour.
- La tour sera bien verrouillé en place lorsque les rétracte de goupilles de verrouillage.



LE MOJACK PRO EST MAINTENANT PRÊT POUR L'ENTREPOSAGE OU LE TRANSPORT.

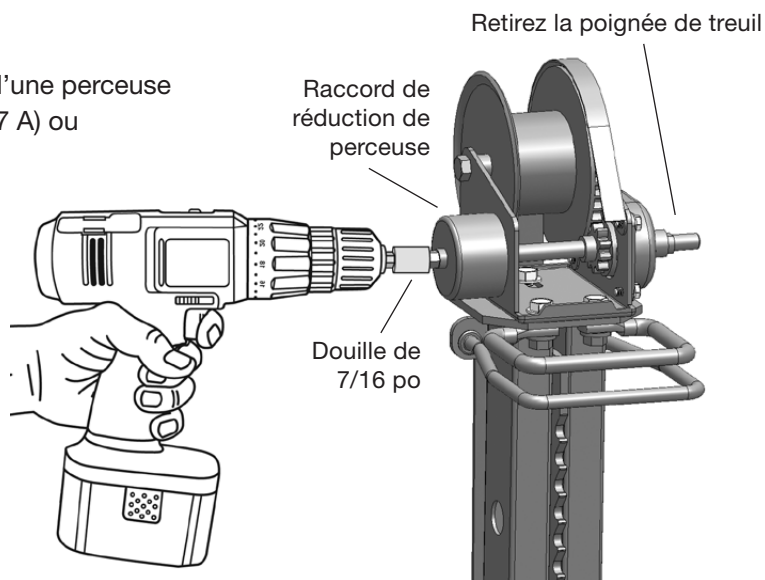
ÉTAPE 21

Soulèvement du MoJack PRO avec une perceuse électrique (en option)

- Le MoJack PRO peut être soulevé ou abaissé à l'aide d'une perceuse électrique avec cordon à vitesse variable (minimum de 7 A) ou d'une perceuse électrique sans fil à vitesse variable (minimum de 18 V).
- La perceuse doit être munie d'une douille de 7/16 po (non fournie).
- Retirez la poignée du treuil en enlevant et la rondelle.

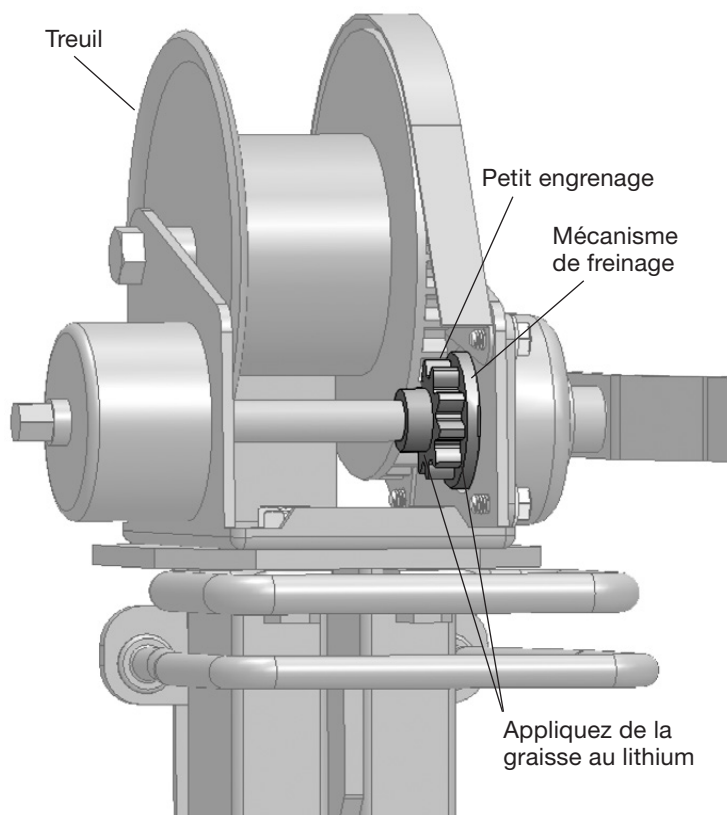
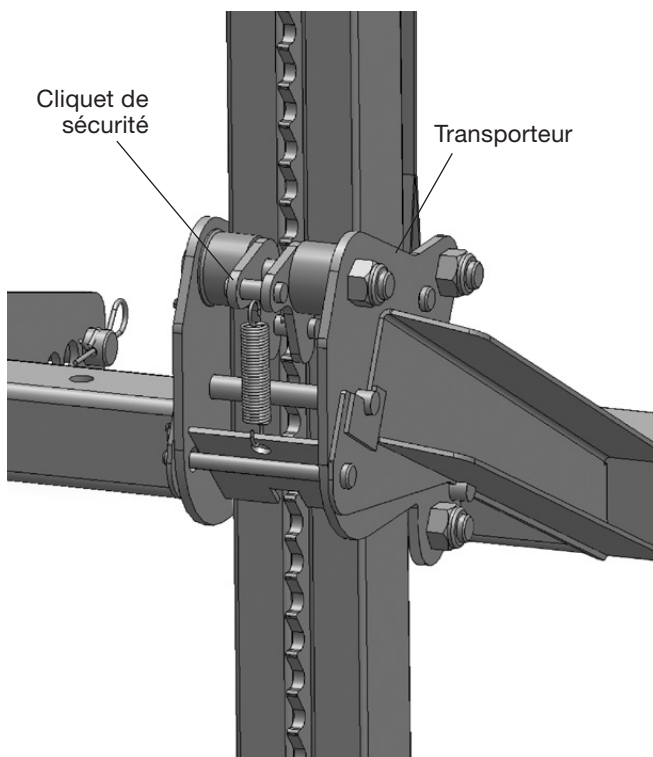
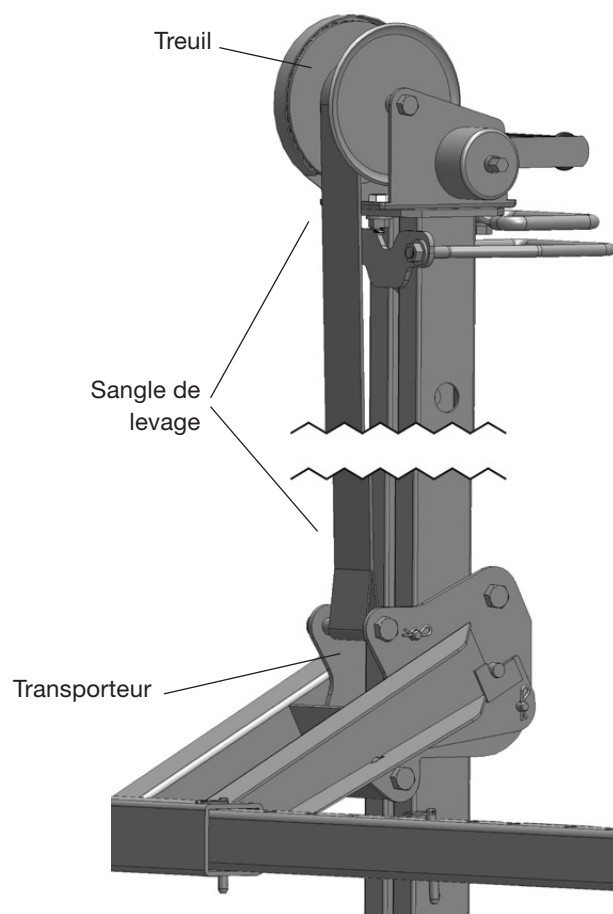
⚠ L'opérateur doit avoir une prise ferme sur la perceuse avant de soulever ou d'abaisser le bras de levage.

- Placez solidement la douille de 7/16 po sur le raccord de réduction de perceuse. Faites tourner la perceuse en sens inverse (en sens anti-horaire) pour soulever le bras de levage et vers l'avant (en sens horaire) pour abaisser le bras de levage.
- La poignée de dégagement du cliquet et la poignée de maintien doivent être serrées ensemble lors de l'abaissement du bras de levage.
- Veuillez suivre toutes les autres directives d'utilisation lorsque vous utilisez une perceuse.
- Remplacez la poignée du treuil pour une utilisation ultérieure.

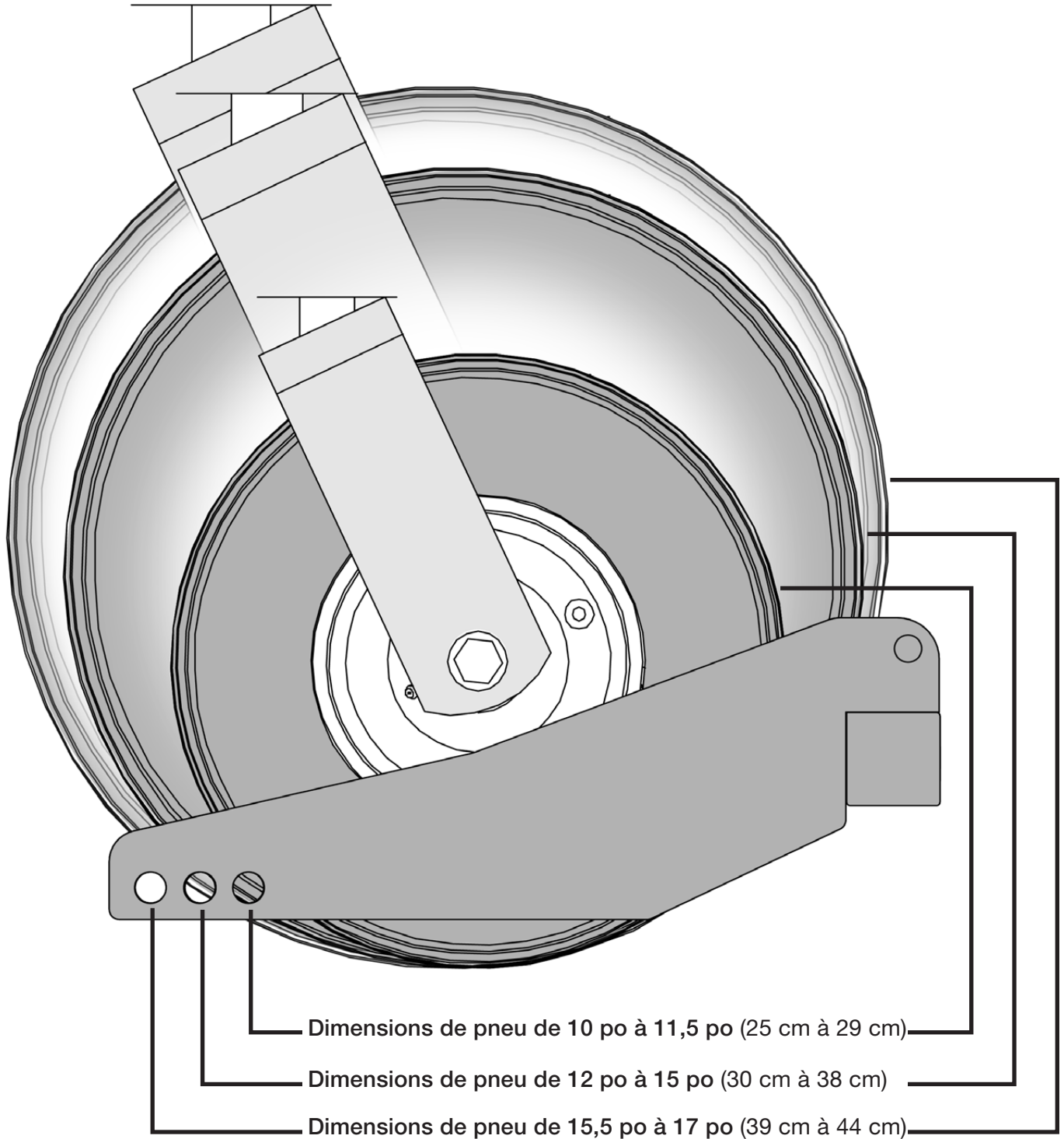


Programme d'entretien

- Avant chaque utilisation, vérifiez toujours si les pièces sont usées, desserrées ou endommagées sur le MoJack PRO. En présence de pièces endommagées, n'utilisez pas le MoJack PRO et communiquez avec MoJack au 1-877-575-3173.
- Vérifiez la sangle de sécurité avant chaque utilisation. Assurez-vous que la sangle de sécurité n'est pas endommagée ou tordue et que la couture de la boucle est solide. En présence d'un de ces problèmes, n'utilisez pas le MoJack PRO et communiquez avec MoJack au 1-877-575-3173.
- Vérifiez le fonctionnement du cliquet de sécurité. Pendant que le transporteur s'élève, le son indique que le cliquet de sécurité fonctionne correctement. Soulevez le transporteur à la hauteur de travail et tournez la poignée du treuil $\frac{1}{2}$ tour en sens anti-horaire pour libérer la tension de la sangle de levage. Si le transporteur ne repose pas fermement sur le cliquet de sécurité et que la tension demeure sur la sangle de sécurité, n'utilisez pas le MoJack PRO et communiquez avec MoJack au 1-877-575-3173.
- Appliquez de la graisse au lithium sur le petit rouage du treuil et entre le petit rouage sur le treuil et le mécanisme de freinage, et des dents et le boulon de la barre de sécurité une fois par an ou tous les 50 utilisations.



Guide des tiges de soutien pour les dimensions de pneu



⚠ Ne pas utiliser avec des pneus plus 17 po (44cm) dans la taille

Patent pending.

© 2011 MoJack Distributors, LLC.

MoJack and the MoJack logo are registered trademarks of MoJack Distributors, LLC.

MoJack PRO is a trademark of MoJack Distributors, LLC. All rights reserved.



Make it Happen. Make it MoJack.™

www.theMoJack.com

1-877-575-3173