

NORTON

NORTON CONSTRUCTION PRODUCTS



CTC705 Tile Saw ALSO YTM705

The Norton Clipper CTC705 Tile Saw is a durable, light weight saw developed to meet the demands of rental use. The saw features a reinforced cutting head truss support to help prevent head misalignment due to rough handling. The option of using 4" to 7" diamond blades allows a greater cutting flexibility. This saw's design allows up to 17" straight cuts and 12" diagonal cuts.

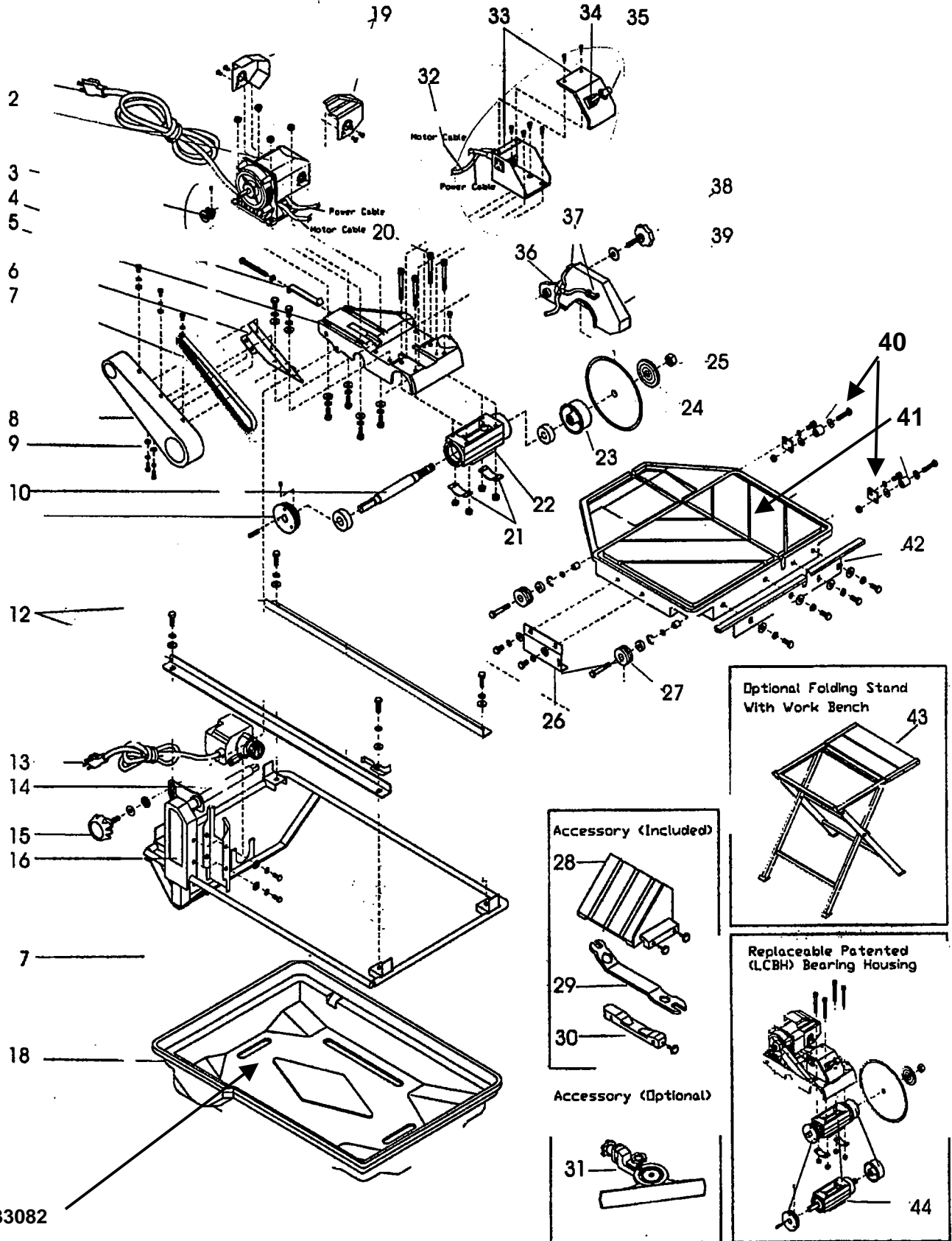
A fully adjustable cutting head (up and down) enables the user to plunge-cut material when needed. This allows more efficient cutting of thicker materials and extends the life of the diamond blade. For improved life and easier maintenance, the CTC705 has been engineered with a cast aluminum blade guard and a rugged removable ABS plastic water pan.


SAINT-GOBAIN
ABRASIVES

clipper

CTC-705 SAW EXPLODED VIEW

ALSO YTM705



DRAIN PLUG 233082

WATER CONTROL VALVE 233083

CTC705/YTM705 TILE SAW

Item Number	Part Number	Description
1	233001	Power Cable
2	234002	3/4 HP Carbon Brush Motor
3	234003	Motor Shaft Pulley
4	234004	Motor Adjustment Clip
5	234005	Mounting Plate
6	234006	Belt Guard Bracket
7	234007	Timing T Shape Nylon Belt
8	234008	Belt Guard
9	234009	Belt Guard Screws
10	233013	Blade Shaft
11	234011	Blade Shaft Pulley
12	234012	Roller Guide Bar
13	214169	Water Pump PE-1
14	234014	Motor Support Shaft
15	233021	Mounting Plate Adjustment Knob
16	234016	Rear Support Post
17	234017	Metal Frame Assembly
18	234018	A.B.S Water Tray
19	234019	Motor Protection Cover Shield
20	234020	Bearing Housing Secure Brackets w/screws & nuts
21	233049	Bearing Housing Hold Down Bracket
22	233037	Bearing Housing
23	233014	Inner Flange

Item Number	Part Number	Description
24	233016	Outer Flange
25	8142007	Blade Lock Nut (RH THREAD)
26	234026	Cutting Table Position Bracket
27	234027	U-Shape Ball Bearing Rollers (set of 2)
28	234028	Miter Block (Metal)
29	233041	Universal Wrench
30	234030	45°/90° Rip Guide
31	233043	Adjustable Angle Guard
32	234033	Motor Cable
33	233005	Power Switch Housing Complete Set
* 34	233003	Power Toggle Switch
35	233004	CIRCUIT BREAKER
36	233019	water flow "T" Adapter
37	233045	Water Flow "L" Adapter
38	234039	Blade Guard Adjustment Knob
39	234040-1	Blade Guard Use 234077
40	233025-1	Angle Bar Roller
* 41	234042	Cutting Table
42	234043	Ruler Guide 70184682714
43	705STAND	Saw Stand w/WorkBench
44	234045	LCBH Bearing Housing Complete
45	233039	Rubber Splash Guard
46	234046	Carbon Brushes (set of 2)
47	234047	Brush Caps (set of 2)

CTC705/YTM705 IS BELT DRIVEN

BEARING(BELT SIDE) 226011

BEARING(BLADE SIDE) 212242

*34-A 233003-1 TOGGLE SWITCH CAP

*41-A 234042-1 SPRING CLIP

**KEEPS TABLE FROM
ROLLING OFF THE
END OF GUIDE BAR**