



Husqvarna®



ECA308

EN	Operator's manual
ES-MX	Manual del usuario
FR-CA	Manuel d'utilisation

2-12
13-25
26-38

Contents

Introduction.....	2	Maintenance.....	11
Safety.....	3	Technical data.....	12
Assembly.....	10	Accessories.....	12

Introduction

Product description

We have a policy of continuous product development and therefore reserve the right to modify the design and appearance of the products without prior notice.

Intended use

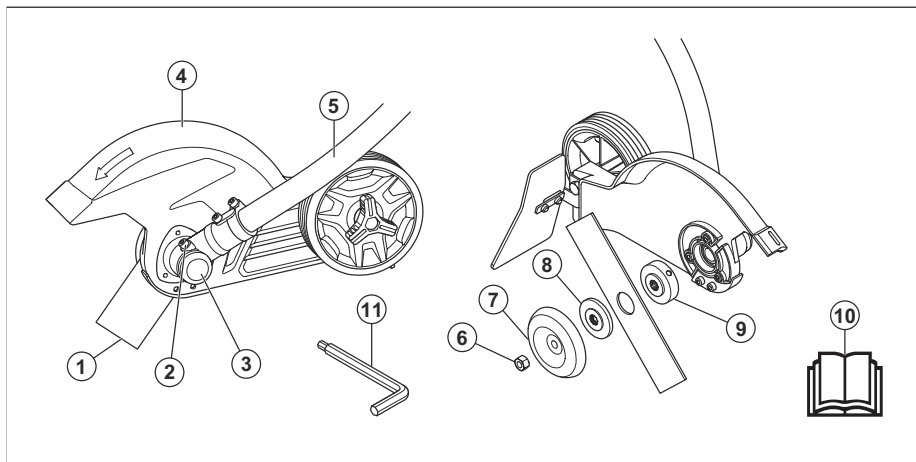


WARNING: Use this attachment only with products that it is intended

for. Refer to the accessory chapter in the operator's manual of your product.

Use the attachment for cutting grass and other soft ground cover.

Attachment overview



1. Blade
2. Grease filler cap, bevel gear
3. Bevel gear
4. Cutting attachment guard
5. Shaft
6. Locknut
7. Support flange
8. Retainer
9. Spacer
10. Operator's manual
11. Hex wrench

Symbols on the product



Careless or incorrect use of this attachment can result in serious or fatal injury to the operator or others.



Read the operator's manual carefully and make sure you understand the instructions before using the attachment.



Always wear approved hearing protection and protective goggles or a visor. A breathing mask should be used when there is a risk of dust.



Always wear approved protective gloves.



Wear sturdy, non-slip boots.



Make sure that long hair is put above your shoulders.



Watch out for thrown objects and ricochets.



The blade continues to rotate even after the engine/motor has stopped.



Keep a minimum of 50 ft / 15 m distance to persons and animals during operation of the product.

Note: Other symbols/decals on the attachment refer to special certification requirements for certain markets.

California Proposition 65

WARNING

This product contains or emits a chemical known to the State of California to cause cancer or birth defects or other reproductive harm.

Manufacturer

Husqvarna Professional Products, Inc 9335 Harris Corners Pkwy, Charlotte, NC 28269, USA

Product damage

We are not responsible for damages to our product if:

- the product is incorrectly repaired.
- the product is repaired with parts that are not from the manufacturer or not approved by the manufacturer.
- the product has an accessory that is not from the manufacturer or not approved by the manufacturer.
- the product is not repaired at an approved service center or by an approved authority.

Safety

IMPORTANT SAFETY INSTRUCTIONS

Safety definitions

Warnings, cautions and notes are used to point out specially important parts of the operator's manual.



WARNING: Used if there is a risk of injury or death for the operator or bystanders if the

instructions in the manual are not obeyed.



CAUTION: Used if there is a risk of damage to the product and/or the attachment, other materials or the adjacent area if the instructions in the manual are not obeyed.

Note: Used to give more information that is necessary in a given situation.

Read All Instructions



WARNING: When using gardening products, basic safety precautions should always be followed to reduce the risk of fire, electric shock, and personal injury, including the following:

General safety instructions



WARNING: Read the safety instructions that follow before you use the attachment.

- Please read the operator's manual carefully and make sure you understand the instructions before using the attachment.
- These instructions supplement the instructions that were included with the product. For other procedures, please refer to the operating instructions for the product.
- Under no circumstances may the design of the attachment be modified without the permission of the manufacturer. Do not use an attachment that appears to have been modified by others and always use original accessories. Non-authorized modifications and/or accessories can result in serious personal injury or the death of the operator or others.

Grass trimmer, brush cutter and brush saw safety warnings

- **Do not use the machine in bad weather conditions, especially when there is a risk of lightning.** This decreases the risk of being struck by lightning.
- **Thoroughly inspect the area for wildlife where the machine is to be used.** Wildlife may be injured by the machine during operation.
- **Thoroughly inspect the area where the machine is to be used and remove all stones, sticks, wires, bones, and other foreign objects.** Thrown objects can cause personal injury.
- **Before using the machine, always visually inspect to see that the cutter or blade and the cutter or blade assembly are not damaged.** Damaged parts increase the risk of injury.
- **Follow instructions for changing accessories.** Improperly tightened blade securing nuts or bolts may either damage the blade or result in it becoming detached.
- **The rated rotational speed of the cutter must be at least equal to the maximum rotational speed marked on the machine.** Cutters running faster than their rated rotational speed can break and fly apart.
- **Wear eye, ear, head and hand protection.** Adequate protective equipment will reduce personal injury by flying debris or accidental contact with the cutting line or blade.
- **While operating the machine, always wear non-slip protective footwear. Do not operate the machine when barefoot or wearing open sandals.** This reduces the chance of injury to the feet from contact with a moving cutter, line or blade.
- **While operating the machine, always wear long trousers.** Exposed skin increases the likelihood of injury from thrown objects.
- **Keep bystanders away while operating the machine.** Thrown debris can result in serious personal injury.
- **Always use two hands when operating the machine.** Holding the machine with both hands will avoid loss of control.
- **Hold the machine by the insulated gripping surfaces only, because the cutting line or blade may contact hidden wiring.** Cutting line or blades contacting a "live" wire may make exposed metal parts of the machine "live" and could give the operator an electric shock.
- **Always keep proper footing and operate the machine only when standing on the ground.** Slippery or unstable surfaces may cause a loss of balance or control of the machine.
- **Do not operate the machine on excessively steep slopes.** This reduces the risk of loss of control, slipping and falling which may result in personal injury.
- **When working on slopes, always be sure of your footing, always work across the face of slopes, never up or down and exercise extreme caution when changing direction.** This reduces the risk of loss of control, slipping and falling which may result in personal injury.
- **Keep all parts of the body away from the cutter, line or blade when the machine is**

operating. Before you start the machine, make sure the cutter, line or blade is not contacting anything. A moment of inattention while operating the machine may result in injury to yourself or others.

- **Do not operate the machine above waist height.** This helps prevent unintended cutter or blade contact and enables better control of the machine in unexpected situations.
- **When cutting brush or saplings that are under tension, be alert for spring back.** When the tension in the wood fibres is released, the brush or sapling may strike the operator and/or throw the machine out of control.
- **Use extreme caution when cutting brush and saplings.** The slender material may catch the blade and be whipped toward you or pull you off balance.
- **Maintain control of the machine and do not touch cutters, lines or blades and other hazardous moving parts while they are still in motion.** This reduces the risk of injury from moving parts.
- **When clearing jammed material or servicing the machine, make sure all power switches are off and the battery pack is removed or the power cord is disconnected.** Unexpected starting of the machine while clearing jammed material or servicing may result in serious personal injury.
- **Carry the machine with the machine switched off and away from your body.** Proper handling of the machine will reduce the likelihood of accidental contact with a moving cutter, line or blade.
- **When transporting or storing the machine, always fit the cover on metal blades.** Proper handling of the machine will reduce the likelihood of accidental contact with the blade.
- **Only use replacement cutters, lines, cutting heads and blades specified by the manufacturer.** Incorrect replacement parts may increase the risk of breakage and injury.

Other safety information

- Avoid Dangerous Environment – Don't use products in damp or wet locations.
- Don't Use In Rain.

- Keep Children Away – All visitors should be kept at a distance from work area.
- Dress Properly – Do not wear loose clothing or jewelry. They can be caught in moving parts. Use of rubber gloves and substantial footwear is recommended when working outdoors. Wear protective hair covering to contain long hair.
- Use Safety Glasses – Always use face or dust mask if operation is dusty.
- Use Right Product – Do not use product for any job except that for which it is intended.
- Don't Force Product – It will do the job better and with less likelihood of a risk of injury at the rate for which it was designed.
- Don't Overreach – Keep proper footing and balance at all times.
- Stay Alert – Watch what you are doing. Use common sense. Do not operate product when you are tired.
- Store Idle Products Indoors – When not in use, products should be stored indoors in dry, and high or locked-up place – out of reach of children.
- Maintain Product With Care – Keep cutting edge sharp and clean for best performance and to reduce the risk of injury. Follow instructions for lubricating and changing accessories. Keep handles dry, clean, and free from oil and grease.
- Check Damaged Parts – Before further use of the product, a guard or other part that is damaged should be carefully checked to determine that it will operate properly and perform its intended function. Check for alignment of moving parts, binding of moving parts, breakage of parts, mounting, and any other condition that may affect its operation. A guard or other part that is damaged should be properly repaired or replaced by an authorized service center unless indicated elsewhere in this manual.

Work area safety

- **Keep work area clean and well lit.** Cluttered or dark areas invite accidents.
- **Do not operate power tools in explosive atmospheres, such as in the presence of flammable liquids, gases or dust.** Power tools create sparks which may ignite the dust or fumes.
- **Keep children and bystanders away while operating a power tool.** Distractions can cause you to lose control.

Personal safety

- **Stay alert, monitor what you are doing and use common sense when operating a power tool. Do not use a power tool while you are tired or under the influence of drugs, alcohol or medication.** A moment of inattention while operating power tools may result in serious personal injury.
- **Use personal protective equipment. Always wear eye protection.** Protective equipment such as dust mask, non-skid safety shoes, hard hat, or hearing protection used for appropriate conditions will reduce personal injuries.
- **Prevent unintentional starting. Ensure the switch is in the OFF-position before connecting to a power source and/or battery pack, picking up or carrying the tool.** Carrying power tools with your finger on the switch or energizing power tools that have the switch on invites accidents.
- **Remove any adjusting key or wrench before turning the power tool on.** A wrench or a key left attached to a rotating part of the power tool may result in personal injury.
- **Do not overreach. Keep proper footing and balance at all times.** This enables better control of the power tool in unexpected situations.
- **Dress properly. Do not wear loose clothing or jewelry. Keep your hair, clothing and gloves away from moving parts.** Loose clothes, jewelry or long hair can be caught in moving parts.
- **If devices are provided for the connection of dust extraction and collection facilities, ensure these are connected and properly used.** Use of dust collection can reduce dust-related hazards.
- **Do not let familiarity gained from frequent use of tools allow you to become complacent and ignore tool safety principles.** A careless action can cause severe injury within a fraction of a second

Safety instructions for operation



WARNING: Read the safety instructions that follow before you use the product.

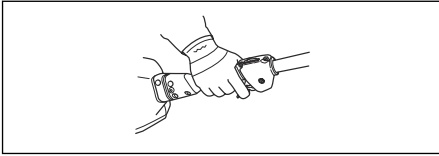
- Do not let children use the product.

- Do not let anyone else use the product without first making sure that they have understood the contents of the operator's manual.
- The operator of the product is responsible if an accident occurs.
- Keep unauthorized persons at a distance. Children, animals, onlookers and helpers should be kept outside the safety zone of 50 ft (15 m) while you work. Stop the product immediately if anyone goes near.
- Make sure that you can move and stand safely. Check the area around you for possible obstacles (roots, rocks, branches, ditches, etc.) in case you must move suddenly. Take great care when you work on sloping ground.



- Examine the work area. Remove all loose objects, such as stones, broken glass, nails, steel wire, string, etc. that could be thrown out or become wrapped around the blades or cutting attachment guard.
- Look out for thrown objects. Always wear approved eye protection. Do not lean over the cutting attachment guard. Stones, rubbish, etc. can be thrown up into the eyes causing blindness or serious injury.
- Do not use the product in bad weather, such as dense fog, heavy rain, strong wind, intense cold, etc.
- Use the product only in daylight or in good artificial light.
- Do not use the product unless you are able to call for help in the event of an accident.
- Do not start the engine/motor when a bystander is standing in front of the blade.
- The engine/motor must be switched off before moving.
- Walk, never run when you operate the product.
- Do not put the product down with the engine/motor running unless you have it in clear view.
- Always use both hands to hold the product. Hold the product at the side of your body.

- Use your right hand to control the throttle trigger/power trigger.



- Listen out for warning signals or shouts when you wear hearing protection. Always remove your hearing protection as soon as the engine/motor stops.
- If the cutting attachment is attached to a battery power unit, the front guard must be installed.
- Make sure that your hands and feet do not come near the cutting attachment when the engine/motor is on.
- When the engine/motor is switched off, keep your hands and feet away from the cutting attachment until it has stopped fully.
- Always keep the cutting attachment near the ground.
- Always do edging at full throttle/speed.
- Do not tilt when starting the engine or switching on the motor, unless the product has to be tilted for starting. In this case, do not tilt the product more than necessary and lift only the part which is away from the operator.
- Always slow the engine/motor to idle speed after each work operation. Long periods at full throttle/speed without any load on the engine/motor (i.e without the resistance that the cutting attachment exerts on the engine/motor when you are using the product) can lead to serious engine/motor damage.
- Be especially careful when you pull the product towards you during work.
- If any object is hit or if vibrations occur stop the product immediately. If you have a gasoline operated product, remove the spark plug cap from the spark plug. If you have a battery operated product, remove the battery. Check that the product is not damaged. Repair any damage.
- Sometimes grass or stones can get trapped in the cutting attachment guard and cutting attachment. Always stop the engine/motor before you clean it.

Blade thrust causes and related warnings

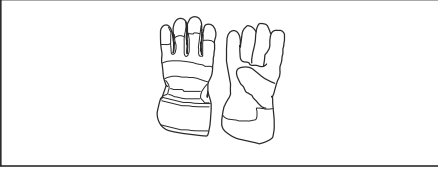
- **Maintain a firm grip with both hands on the machine and position your arms to resist blade thrust. Position your body to the left side of the machine.** Blade thrust can increase the risk of injury due to the machine moving unexpectedly. Blade thrust can be controlled by the operator if proper precautions are taken.
- **If the blade binds, or when interrupting a cut for any reason, switch the machine off and hold the machine motionless in the material until the blade comes to a complete stop. While the blade is binding, never attempt to remove the machine from the material or pull the machine backward while the blade is in motion, otherwise blade thrust may occur.** Investigate and take corrective actions to eliminate the cause of blade binding.
- **Do not use blunt or damaged blades.** Blunt or damaged blades increase the risk of jamming or catching on an object, resulting in blade thrust.
- **Always maintain good visibility of the material being cut.** Blade thrust is more likely to occur in areas where it is difficult to see the material being cut.
- **If you are approached by another person while operating the machine, switch the machine off.** There is an increased risk of injury to other persons being struck by the moving blade in the event of blade thrust.

Personal protective equipment



WARNING: You must use approved personal protective equipment whenever you use the product. Personal protective equipment cannot eliminate the risk of injury but it will reduce the degree of injury if an accident does happen. Ask your dealer for help in choosing the right equipment. Please read the operator's manual carefully and make sure you understand the instructions before using the product.

- Gloves should be worn when necessary.



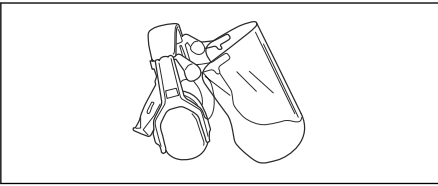
- Wear hearing protection that provides adequate noise reduction.



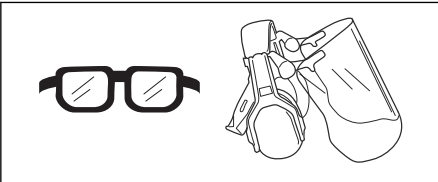
WARNING: Listen out for warning signals or shouts when you are wearing hearing protection. Always remove your hearing protection as soon as the engine/motor stops.



WARNING: Long-term exposure to noise can result in permanent hearing impairment. So always use approved hearing protection.



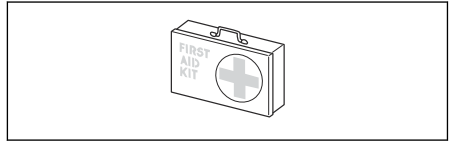
- Always wear approved eye protection. If you use a visor then you must also wear approved protective goggles. Approved protective goggles must comply with the ANSI Z87.1 standard in the USA or EN 166 in EU countries. Blows from branches or objects that are thrown can damage the eyes.



- Wear sturdy, non-slip boots.



- Always wear heavy, long pants, boots, gloves, and a long-sleeve shirt. To reduce the risk of injury associated with objects being drawn into rotating parts, do not wear loose clothing, scarves, jewelry, etc. Secure hair so it is above shoulder level.
- A breathing mask should be used when there is a risk of dust.
- Always have a first aid kit nearby.



Safety devices on the product



WARNING: Read the warning instructions that follow before you use the product.

In this section the product's safety features, its purpose and how checks and maintenance should be carried out to ensure that it operates correctly. See instructions under the heading *Attachment overview on page 2* to find where these parts are located on your product.

The life span of the product can be reduced and the risk of accidents can increase if product maintenance is not carried out correctly and if service and/or repairs are not carried out professionally. If you need further information please contact your nearest servicing dealer.



WARNING: Never use a product with damaged safety components. The product's safety equipment must be inspected and maintained as described in this section. If your product fails any of these checks, contact your service agent to get it repaired.



CAUTION: All servicing and repair work on the machine requires special training. This is especially true of the machine's safety equipment. If your machine fails any of the checks described below you must contact your service agent. When you buy any of our products we guarantee the availability of professional repairs and service. If the retailer who sells your machine is not a servicing dealer, ask him for the address of your nearest service agent.

To check the cutting attachment guard

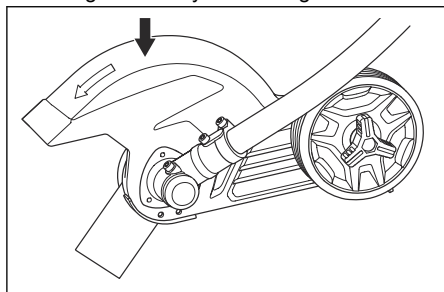


WARNING: Do not use a cutting attachment without an approved cutting attachment guard. If an incorrect or damaged cutting attachment guard is installed this can cause injury.



WARNING: If the cutting attachment is attached to a battery power unit, make sure that the front guard is installed.

- Make sure that the cutting attachment guard and front guard are not damaged. Replace the cutting attachment guard and front guard if they are damaged.

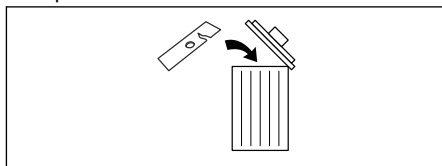


- Only use original spare parts.

To check the blade

The blade is designed and manufactured to withstand the loads that edging of a lawn involves.

- Check the blade for damage or cracks. A damaged blade should always be replaced.

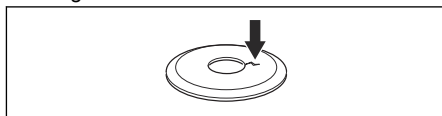


Work position

- Hold the product with 2 hands.
- Hold the product on the right side of your body.
- Keep the cutting attachment below waist level.
- Keep body parts away from the hot surfaces.
- Keep body parts away from the cutting attachment.

To check the support flange

- Check that the support flange is not cracked due to fatigue or due to being tightened too much. Discard the support flange if it is cracked.



To check the locknut



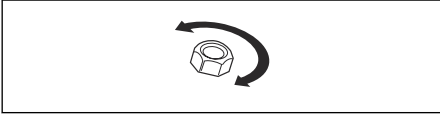
CAUTION: The nylon lining inside the locknut must not be so worn that you can turn it by hand. The lining should offer a resistance of minimum 13 in-lb / 1.5 Nm. The locknut must be replaced after it has been put on approximately 10 times.



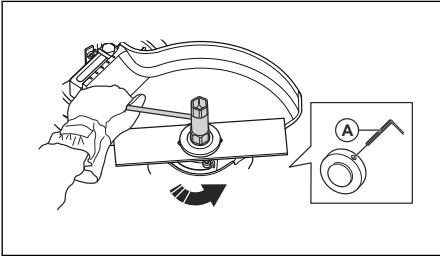
CAUTION: The locknut has a left-hand thread. To tighten the locknut too much can cause damage to the threads.

The locknut secures the cutting attachment on the output shaft. Protect your hand from injury when assembling, use the cutting attachment guard as protection when tightening with a socket wrench.

1. When fitting, tighten the locknut in the opposite direction to the direction of rotation of the cutting attachment. To remove it, undo the locknut in the same direction as the cutting attachment rotates.



2. Put a small screwdriver or locking pin (A) in the hole on the drive disc to lock the blade.



3. Tighten the locknut to a torque of 11-15 ft-lb / 15-20 Nm.

Safety instructions for maintenance



WARNING: Read the safety instructions that follow before you use the product.

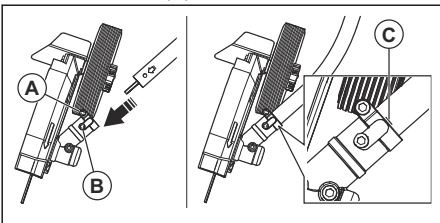
- Always stop the engine/motor before you do work on the cutting attachment. The blade continues to move after the throttle/power trigger is released. If you have a gasoline operated product, remove the spark plug cap from the spark plug. If you have a battery operated product, remove the battery. Make sure that the cutting attachment has stopped fully before you do work on it.
- Always wear heavy duty gloves when you repair the cutting attachment. This is very sharp and can easily cause cuts.
- Use only original spare parts for repairs.
- Keep the product away from children

SAVE THESE INSTRUCTIONS

Assembly

To install the shaft into the gearbox

1. Loosen the clamp screw (A) and remove the set screw (B).



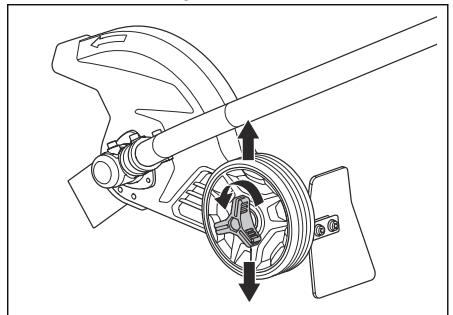
2. Align the arrow on the shaft with the set screw hole in the gearbox.
3. Push the shaft until the line mark (C) touches the gearbox.
4. Align the set screw holes in the shaft and the gearbox.
5. Replace and tighten the set screw.

6. Tighten the clamp screw.

To adjust the cutting depth of the cutting attachment

The cutting depth of the cutting attachment must be adjusted before starting work.

1. Loosen the wing nut.



2. Set the desired cutting depth.

3. Tighten the wing nut.

Maintenance

Introduction

Below you will find some general maintenance instructions. If you need further information please contact your service workshop.

To perform daily maintenance

- Do the daily maintenance tasks for the power unit. Refer to the operator's manual for the power unit.
- Examine the product before each operation. Make sure that the product is installed correctly. Replace damaged parts.
- Make sure that the blade is installed correctly.
- Check that the blade does not rotate when the the throttle/power trigger is released.
- Check that the cutting attachment guard is undamaged and not cracked. Replace the cutting attachment guard if it has been exposed to impact or is cracked.
- Check that the blade is not damaged and not cracked. Replace the blade if necessary.
- Check that the support flange is not damaged.
- Check that the locknut is tight.

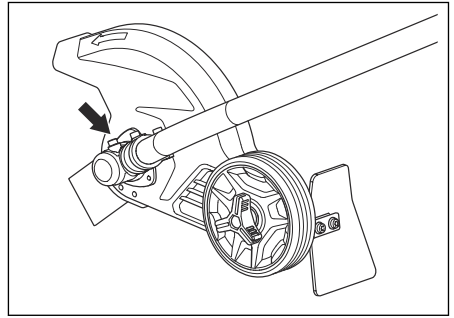
To perform weekly maintenance

- Check that the bevel gear is filled to $\frac{3}{4}$ with grease. Fill if necessary using special grease.

To check the bevel gear

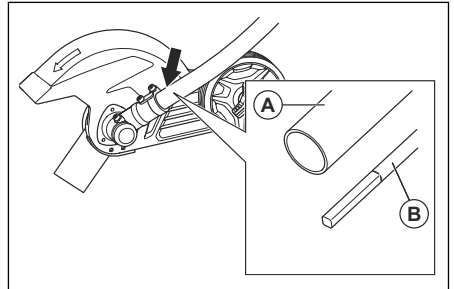
The bevel gear is filled with the right quantity of grease at the factory. The grease in the bevel gear does not normally need to be changed except if repairs are carried out.

- Before using the product check that the bevel gear is filled to $\frac{3}{4}$ with grease. Fill if necessary using special grease.



To lubricate the flexible drive shaft

1. Loosen the 2 screws on the bevel gear.
2. Remove the shaft assembly.
3. Take a firm grip on the hollow shaft (A) and remove the flexible drive shaft (B) from the opposite end of the gear box.



4. Lubricate the entire length of the flexible drive shaft.
5. Put the flexible drive shaft in the tube. Turn the flexible drive shaft when you put it into the bevel gear to make sure that it correctly engages.
6. Attach the bevel gear on the drive shaft and tighten the 2 screws. Refer to *To install the shaft into the gearbox on page 10*.

To replace the blade

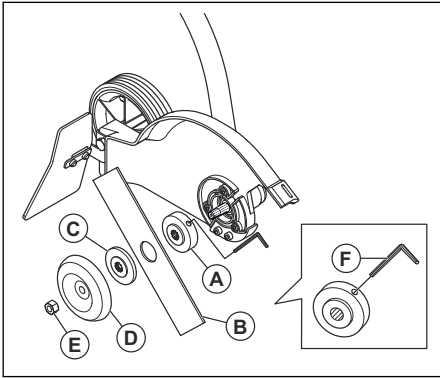
1. Put a small screwdriver or locking pin (F) in the hole on the drive disc (A) to lock the blade (B).
2. Loosen and remove the locknut (E).



Note: The locknut has a left-hand thread.

3. Remove the support flange (D), retainer (C), blade (B) and drive disc (A).
4. Examine the locknut, support flange, retainer and drive disc. Replace any damaged parts.
5. Attach the drive disc on the output shaft. Make sure that the outer edge of the drive disk is in hole of the blade.

6. Install the new blade on the drive disc.
7. Install the support flange. The outer edge of the support flange must push on the blade.
8. Install the support flange.
9. Install the locknut.
10. Tighten the locknut to a torque of 12-15 ft-lb / 15-20 Nm.
11. Remove the screwdriver or locking pin.



Technical data

	ECA308
Weight	
Weight, lb/kg	4.9/2.2

Accessories

Cutting equipment	Art. no.
Blade	531 30 02-33

Contenido

Introducción.....	13	Mantenimiento.....	23
Seguridad.....	14	Datos técnicos.....	24
Montaje.....	22	Accesorios.....	25

Introducción

Descripción de la máquina

Husqvarna AB tiene una política de desarrollo continuo de productos y, por lo tanto, se reserva el derecho de modificar el diseño y el aspecto de los productos sin previo aviso.

Uso previsto

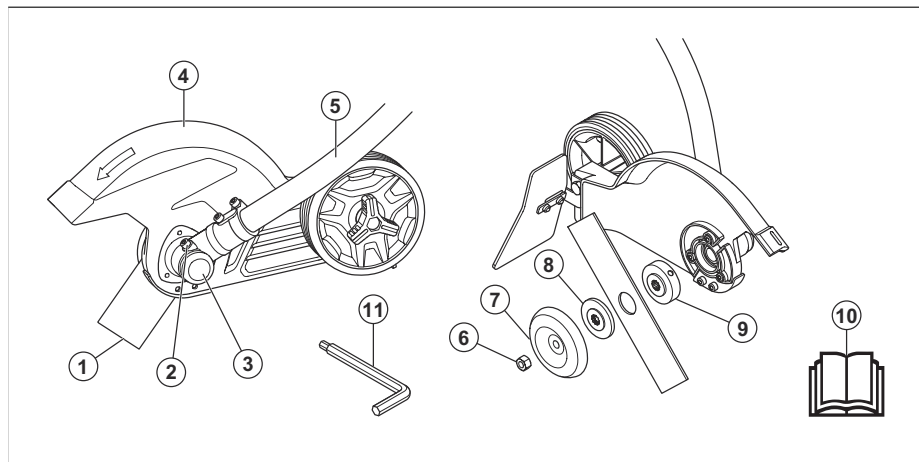


ADVERTENCIA: Utilice este accesorio solo con productos para

los que se diseñó. Consulte el capítulo de accesorios en el manual de usuario del producto.

Utilice el accesorio para cortar hierba y otras cubiertas blandas del suelo.

Vista general del accesorio



1. Hoja
2. Tapón de llenado de grasa, engranaje angulado
3. Engranaje angulado
4. Protección del equipo de corte
5. Eje
6. Contratuerca
7. Brida de apoyo
8. Retenedor
9. Separador
10. Manual de usuario
11. Llave hexagonal

Símbolos en el producto



El uso incorrecto o descuidado de este accesorio puede ocasionar lesiones graves o mortales al operador u otras personas.



Lea el manual del usuario atentamente y asegúrese de entender las instrucciones antes de utilizar el accesorio.



Use siempre protectores auriculares aprobados y gafas protectoras o un visor. Se debe utilizar una máscara respiratoria cuando exista riesgo de polvo.



Use siempre guantes protectores aprobados.



Use botas antideslizantes y resistentes.



Si tiene el cabello largo, asegúrese de amarrarlo sobre sus hombros.



Tenga cuidado con los objetos que puedan salir despedidos o producir algún impacto por efectos de rebote.



La cuchilla continúa girando, incluso después de detener el motor.



Manténgase a un mínimo de 50 ft / 15 m de distancia de las

personas y los animales mientras el producto esté funcionando.

Tenga en cuenta: Otros símbolos o etiquetas en el equipo hacen referencia a requisitos de certificación especiales para ciertos mercados.

Propuesta 65 de California

! ¡ADVERTENCIA!

Este producto contiene o emite productos químicos que pueden causar cáncer, defectos congénitos u otros daños en el sistema reproductor.

Fabricante

Husqvarna Professional Products, Inc 9335 Harris Corners Pkwy, Charlotte, NC 28269, USA

Daños en el producto

No somos responsables de los daños a nuestro producto en los siguientes casos:

- el producto se repara incorrectamente
- el producto se repara con piezas que no son del fabricante o que este no autoriza
- el producto tiene un accesorio que no es del fabricante o que este no autoriza
- el producto no se repara en un centro de servicio autorizado o por una autoridad aprobada.

Seguridad

INSTRUCCIONES DE SEGURIDAD IMPORTANTES

Definiciones de seguridad

Las advertencias, precauciones y notas se utilizan para señalar las piezas particularmente importantes del manual del usuario.



ADVERTENCIA: Se utilizan para señalar el riesgo de lesiones graves o mortales para el operador

o para aquellos que se encuentren cerca si no se siguen las instrucciones del manual.



AVISO: Se utilizan para señalar el riesgo de dañar el producto o accesorio, otros materiales o el área adyacente si no se respetan las instrucciones del manual.

Tenga en cuenta: Se utilizan para entregar más información necesaria en situaciones particulares.

Lea todas las instrucciones



ADVERTENCIA: Cuando utilice productos para jardines, siga siempre las precauciones de seguridad básicas para reducir el riesgo de incendio, descarga eléctrica y daños personales, como las siguientes:

Instrucciones generales de seguridad



ADVERTENCIA: Lea las siguientes instrucciones de seguridad antes de usar el accesorio.

- Lea cuidadosamente el manual de usuario y asegúrese de que entienda las instrucciones antes de utilizar el accesorio.
- Estas instrucciones son un complemento de las instrucciones que se incluyen con el producto. Para otros procedimientos, consulte las instrucciones de operación del producto.
- Bajo ninguna circunstancia podrá modificar el diseño del accesorio sin el permiso del fabricante. No utilice un accesorio que parezca haber sido modificado por otras personas y utilice siempre los accesorios originales. Las modificaciones o accesorios no autorizados pueden provocar daños personales o la muerte del operador u otras personas.

Advertencias de seguridad de la desbrozadora, el quitaarbustos y la recortadora de hierba

- **No utilice la máquina en condiciones meteorológicas adversas, especialmente cuando haya pronóstico de tormentas eléctricas.** Esto disminuye el riesgo de ser alcanzado por un rayo.
- **Inspeccione minuciosamente la zona en la que se va a utilizar la máquina en busca de fauna.** La máquina puede lesionar a la fauna durante su funcionamiento.
- **Inspeccione minuciosamente el área donde se va a utilizar la máquina y retire todas las piedras, palos, cables, huesos y otros objetos extraños.** Los

objetos despedidos pueden causar daños personales.

- **Antes de utilizar la máquina, inspeccione siempre visualmente para ver si la cortadora o la cuchilla y el conjunto de la cortadora o la cuchilla no están dañados.** Las piezas dañadas aumentan el riesgo de lesiones.
- **Siga las instrucciones para el cambio de accesorios.** Si las tuercas o los pernos de fijación de la cuchilla están mal ajustados, pueden dañar la cuchilla o hacer que se desprenda.
- **La velocidad de rotación nominal de la cortadora debe ser, al menos, igual a la velocidad de rotación máxima señalada en la máquina.** Las cortadoras que funcionan más rápido que su velocidad de rotación nominal se pueden romper y desprender.
- **Utilice protección para los ojos, oídos, cabeza y manos.** Un equipo de protección adecuado reducirá las lesiones personales por los residuos que salgan despedidos o por el contacto accidental con la línea de corte o la cuchilla.
- **Mientras opere la máquina, utilice siempre calzado de protección antideslizante. No haga funcionar la máquina descalzo o con sandalias abiertas.** Esto reduce la posibilidad de que los pies sufran lesiones por el contacto con una cortadora, un hilo o una cuchilla en movimiento.
- **Mientras opere la máquina, siempre utilice pantalones largos.** La piel expuesta aumenta la probabilidad de que se produzcan lesiones debido a la presencia de objetos expulsados.
- **Mantenga alejados a los transeúntes mientras maneja la máquina.** Los residuos lanzados pueden provocar daños personales.
- **Utilice siempre las dos manos cuando opere la máquina.** Sujetar la máquina con ambas manos evitará que pierda el control.
- **Sujete la máquina solo por las superficies de sujeción aisladas, ya que la línea de corte o la cuchilla pueden entrar en contacto con el cableado oculto.** Si la línea de corte o las cuchillas entran en contacto con un cable con corriente, es posible que las piezas metálicas expuestas de la máquina reciban tensión y que el operador reciba una sacudida eléctrica.

- **Mantenga siempre una postura adecuada y maneje la máquina solo cuando esté de pie en el suelo.** Es posible que pierda el equilibrio o el control de la máquina en superficies resbaladizas o inestables.
- **No utilice la máquina en pendientes excesivamente pronunciadas.** Esto reduce el riesgo de pérdida de control, resbalones y caídas que pueden provocar lesiones personales.
- **Cuando trabaje en pendientes, asegúrese siempre de pisar bien, trabaje siempre en superficies en pendiente, nunca hacia arriba o hacia abajo y tenga mucho cuidado cuando cambie de dirección.** Esto reduce el riesgo de pérdida de control, resbalones y caídas que pueden provocar lesiones personales.
- **Mantenga todas las partes del cuerpo alejadas de la cortadora, el hilo o de la cuchilla cuando la máquina esté en funcionamiento. Antes de arrancar la máquina, asegúrese de que la cortadora, el hilo o la cuchilla no estén en contacto con nada.** Un momento de distracción mientras se opera la máquina puede provocar lesiones a usted o a otras personas.
- **No opere la máquina por encima de la altura de la cintura.** De esta manera podrá evitar el contacto accidental con la cortadora o la cuchilla y permitir un mejor control de la máquina en situaciones inesperadas.
- **Cuando corte un arbusto o árboles jóvenes tensados, esté atento a cuando la tensión de la rama se libere.** Una vez que se libera la tensión de las fibras de madera, el arbusto o el árbol joven podría golpear al operador o hacer que pierda el control de la máquina.
- **Tenga mucho cuidado cuando corte arbustos y árboles jóvenes.** El material delgado puede atrapar la cuchilla y azotarla contra usted o hacerle perder el equilibrio.
- **Mantenga el control de la máquina y no toque las cortadoras, los hilos o las cuchillas, ni otras piezas móviles peligrosas mientras aún están en movimiento.** Esto reduce el riesgo de lesiones debido a piezas móviles.
- **Cuando extraiga material atascado o realice el mantenimiento de la máquina, asegúrese de que todos los bloqueadores**

de interruptores estén apagados y de que la unidad de batería se haya retirado o el cable de alimentación esté desconectado. Si la máquina se acciona inesperadamente durante la extracción de material atascado o el mantenimiento, puede generar daños personales graves.

- **Transporte la máquina cuando esté apagada y lejos de su cuerpo.** El manejo adecuado de la máquina reducirá la probabilidad de contacto accidental con una cortadora, hilo o cuchilla en movimiento.
- **Cuando transporte o almacene la máquina, coloque siempre la cubierta sobre las cuchillas metálicas.** El manejo adecuado de la máquina reducirá la probabilidad de contacto accidental con la cuchilla.
- **Utilice únicamente cortadoras, hilos, cabezales de corte y cuchillas de repuesto especificados por el fabricante.** Las piezas de repuesto incorrectas pueden aumentar el riesgo de rotura y lesiones.

Otra información de seguridad

- Evite las zonas peligrosas: no utilice los productos en lugares húmedos o mojados.
- No los utilice bajo la lluvia.
- Mantenga a los niños alejados: se debe mantener alejados a todos los visitantes de la zona de trabajo.
- Utilice la indumentaria adecuada: no use ropa suelta ni joyas. Pueden quedarse atrapadas en las piezas móviles. Se recomienda el uso de guantes de goma y calzado resistente cuando se trabaja en exteriores. Use un gorro protector para contener el pelo largo.
- Uso de antiparras: utilice siempre protección facial o máscara contra polvo si la operación genera polvo.
- Utilice el producto correcto: no utilice el producto para ningún trabajo que no sea el previsto.
- No fuerce el producto: obtendrá mejores resultados y menos probabilidades de sufrir lesiones si lo utiliza a la velocidad para la que fue diseñado.
- No se estire demasiado: mantenga una posición y un equilibrio adecuados en todo momento.

- Manténgase alerta: observe lo que hace. Actúe con sentido común. No utilice el producto si está cansado.
- Almacene los productos inactivos en espacios cerrados: cuando no se utilicen, los productos se deben almacenar en espacios cerrados, secos y altos o con llave, fuera del alcance de los niños.
- Mantenga el producto con cuidado: mantenga afilado y limpio el borde cortante para obtener un mejor rendimiento y reducir el riesgo de lesiones. Siga las instrucciones de lubricación y cambio de accesorios. Mantenga los mangos secos, limpios y sin grasa ni aceite.
- Revise las piezas dañadas: antes de volver a utilizar el producto, se debe revisar minuciosamente una protección u otra pieza que presente daños para determinar si funciona de manera correcta y si sirve para su función prevista. Revise la alineación de las piezas móviles, las uniones de piezas móviles, la rotura de piezas, el montaje y cualquier otra condición que pueda afectar su funcionamiento. Un centro de servicio autorizado debe reparar adecuadamente o reemplazar una protección u otra pieza que presente daños, a menos que en este manual se indique otro lugar.

Seguridad en el área de trabajo

- **Mantenga el área de trabajo limpia y bien iluminada.** Las áreas desordenadas u oscuras pueden generar accidentes.
 - **No opere herramientas eléctricas en atmósferas explosivas, como ante presencia de gases, polvo o líquidos inflamables.** Las herramientas eléctricas generan chispas que pueden encender el polvo o humos.
 - **Mantenga alejados a niños y transeúntes mientras opera una herramienta eléctrica.** Las distracciones pueden hacerle perder el control.
- herramienta eléctrica puede generar daños personales graves.
 - **Utilice el equipo de protección personal. Siempre utilice protección ocular.** El equipo de protección (como máscara contra polvo, calzado de seguridad antideslizante, casco o protectores auriculares) que se utiliza en condiciones pertinentes reducirá los daños personales.
 - **Evite el arranque accidental. Asegúrese de que el interruptor esté en la posición de apagado antes de conectar la herramienta a una fuente de energía o insertar una batería, así como cuando recoja o transporte la herramienta.** Al transportar herramientas eléctricas con su dedo en el interruptor o al suministrarles corriente con el interruptor en la posición de encendido, se pueden provocar accidentes.
 - **Quite cualquier llave de ajuste antes de encender la herramienta eléctrica.** Una llave conectada a una pieza giratoria de la herramienta eléctrica puede causar daños personales.
 - **No se estire demasiado. Mantenga una posición y un equilibrio adecuados en todo momento.** Esto permite un mejor control de la herramienta eléctrica en situaciones inesperadas.
 - **Vístase adecuadamente. No use ropa suelta ni joyas. Mantenga su cabello, su ropa y sus guantes alejados de las piezas en movimiento.** La ropa suelta, las joyas o el cabello largo pueden enredarse en las piezas en movimiento.
 - **Si se proporcionan dispositivos para la conexión de instalaciones de recolección y extracción de polvo, asegúrese de que estos se conecten y utilicen de manera pertinente.** El uso de recolectores de polvo puede reducir los peligros relacionados con el polvo.
 - **No permita que la familiaridad obtenida del uso frecuente de las herramientas le permita confiarse e ignorar los principios de seguridad de las herramientas.** Una acción descuidada puede causar lesiones graves dentro de una fracción de segundo.

Seguridad personal

- **Permanezca alerta, ponga atención a lo que está haciendo y use el sentido común cuando manipule una herramienta eléctrica. No utilice una herramienta eléctrica si está cansado o bajo la influencia de drogas, alcohol o medicamentos.** Un momento de distracción a la hora de operar una



ADVERTENCIA: Lea las siguientes instrucciones de

Instrucciones de seguridad para el funcionamiento

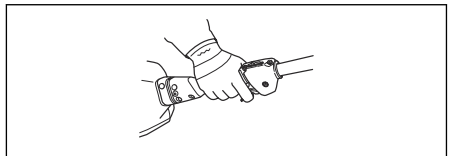
seguridad antes de usar el producto.

- No deje que los niños utilicen el producto.
- No permita que otras personas utilicen el producto sin asegurarse primero de que hayan comprendido el contenido del manual del usuario.
- El operador del producto es responsable en caso de un accidente.
- Asegúrese de que las personas no autorizadas se mantengan a una distancia adecuada. Los niños, animales, observadores y ayudantes deben mantenerse fuera de la zona de seguridad de 50 ft (15 m) durante el trabajo. Detenga el producto de inmediato si alguien se acerca.
- Cerciórese de que puede caminar y mantenerse de pie con seguridad. Revise el área a su alrededor para detectar posibles obstáculos (raíces, piedras, ramas, zanjas, etc.) en caso de que tenga que moverse repentinamente. Tenga sumo cuidado al trabajar en terreno inclinado.



- Inspeccione la zona de trabajo. Quite todos los objetos sueltos, como piedras, vidrios rotos, clavos, alambres de acero, cuerdas, etc., que puedan salir disparados o que se puedan enredar en las cuchillas o en la protección del equipo de corte.
- Esté atento a que no salgan objetos despedidos. Use siempre protección ocular homologada. No se apoye sobre la protección del equipo de corte. Es posible que piedras, residuos, etc., salgan disparados en dirección a los ojos lo que puede provocar ceguera o lesiones graves.
- No utilice la máquina en condiciones climáticas desfavorables, como nieblas densas, lluvias abundantes, vientos fuertes, fríos intensos, etc.
- Utilice el producto solo con luz natural o con una luz artificial adecuada.

- No utilice el producto a menos que sea capaz de pedir ayuda en caso de accidente.
- No ponga en marcha el motor cuando haya una persona delante de la cuchilla.
- El motor debe apagarse antes del traslado.
- Desplácese caminando cuando utilice el producto, nunca corra.
- No coloque el producto sobre una superficie con el motor encendido, a menos que lo tenga a la vista.
- Utilice siempre las dos manos para sostener el producto. Mantenga el producto al lado de su cuerpo.
- Utilice la mano derecha para controlar el acelerador/gatillo de alimentación.



- Preste atención a las señales de advertencia o gritos cuando utilice protectores auriculares. Siempre retire sus protectores auriculares en cuanto se detenga el motor.
- Si el equipo de corte está conectado a una unidad de alimentación de la batería, el protector delantero debe estar instalado.
- Asegúrese de que las manos y los pies no se acerquen al equipo de corte cuando el motor esté en funcionamiento.
- Cuando apague el motor, mantenga las manos y los pies alejados del equipo de corte hasta que se haya detenido por completo.
- Mantenga siempre el equipo de corte cerca del suelo.
- Trabaje siempre con el modo de bordeado en aceleración/velocidad máxima.
- No incline el producto cuando arranque el motor ni al encenderlo, a menos que sea necesario inclinarlo para el arranque. En este caso, no incline el producto más de lo necesario y levante solo la pieza que está alejada del usuario.
- Reduzca siempre la velocidad del motor a régimen de ralentí después de cada operación de trabajo. Los periodos prolongados con una aceleración/velocidad máxima sin ninguna carga en el motor (es decir, sin la

resistencia que el equipo de corte ejerce sobre el motor cuando se utiliza el producto) podrían provocar daños graves al motor.

- Tenga especial cuidado cuando tire el producto hacia usted durante el trabajo.
- Si se golpea algún objeto o si se producen vibraciones, detenga el producto de inmediato. Si se trata de un producto que funciona con gasolina, quite el sombrerete de bujía de la bujía. Si se trata de un producto que funciona con baterías, quite la batería. Compruebe que el producto no esté dañado. Repare cualquier daño.
- A veces, el césped o las piedras pueden quedar atrapadas en la protección del equipo de corte y en el equipo de corte. Siempre detenga el motor antes de limpiarlo.

Causas de la lanzada de hoja y advertencias relacionadas

- **Mantenga un agarre firme con ambas manos en la máquina y coloque los brazos para resistir la lanzada de la hoja. Coloque el cuerpo en el lado izquierdo de la máquina.** La lanzada de la hoja puede aumentar el riesgo de lesiones debido al movimiento inesperado de la máquina. El operador puede controlar la lanzada de la hoja si se toman las precauciones correspondientes.
- **Si la hoja se atasca, o se interrumpe un corte por cualquier motivo, apague la máquina y manténgala inmóvil en el material hasta que la hoja se detenga por completo. Mientras la hoja esté atascada, no intente nunca retirar la máquina del material ni tirar de ella hacia atrás mientras la hoja esté en movimiento, ya que de lo contrario podría producirse una lanzada de la hoja.** Investigue y tome medidas correctivas para eliminar la causa de la lanzada de la hoja.
- **No utilice hojas desafiladas o dañadas.** Las hojas desafiladas o dañadas aumentan el riesgo de atascarse o engancharse en un objeto, lo que provoca la lanzada de la hoja.
- **Mantenga siempre una buena visibilidad del material que se está cortando.** La lanzada de hoja tiene más probabilidades de ocurrir en áreas donde es difícil ver el material que se corta.

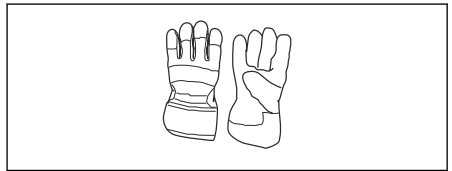
- **Si se le acerca otra persona mientras opera la máquina, apáguela.** Existe un mayor riesgo de que otras personas sean golpeadas por la hojas en movimiento en caso de empuje de esta.

Equipo de protección personal



ADVERTENCIA: Debe utilizar el equipo de protección personal autorizado siempre que utilice la máquina. El equipo de protección personal no puede eliminar el riesgo de lesiones, pero reducirá el grado de lesiones en caso de que se produzca un accidente. Pida ayuda a su distribuidor para elegir el equipo correspondiente. Lea atentamente el manual del usuario y asegúrese de entender las instrucciones antes de utilizar el producto.

- Se deben utilizar guantes cuando sea necesario.



- Utilice protectores auriculares que proporcionen una reducción de ruido adecuada.



ADVERTENCIA: Preste atención a las señales de advertencia o gritos cuando utilice protectores auriculares. Siempre retire sus protectores auriculares en cuanto se detenga el motor.



ADVERTENCIA: La exposición prolongada al ruido puede causar la pérdida permanente de la audición. Use siempre protectores auriculares aprobados.

Dispositivos de seguridad en el producto



ADVERTENCIA: Lea atentamente las instrucciones de advertencia siguientes antes de usar el producto.

En esta sección se describen las características de seguridad del producto y su propósito, y cómo deben llevarse a cabo las comprobaciones y el mantenimiento para asegurarse de que funciona correctamente. Consulte las instrucciones bajo el título *Vista general del accesorio en la página 13* para saber dónde se encuentran estas piezas en el producto.

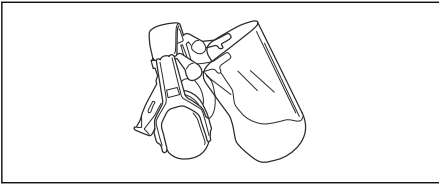
La vida útil del producto se puede reducir y el riesgo de accidentes puede aumentar si el mantenimiento del producto no se realiza correctamente y si el servicio o las reparaciones no se llevan a cabo de forma profesional. Si necesita más información, comuníquese con su taller de servicio más cercano.



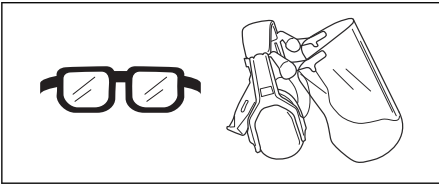
ADVERTENCIA: No utilice nunca un producto con componentes de seguridad dañados. El equipo de seguridad del producto se debe inspeccionar y mantener tal como se describe en esta sección. Si el producto no pasa exitosamente alguna de estas comprobaciones, póngase en contacto con el taller de servicio para que lo reparen.



AVISO: Todos los trabajos de servicio y reparación de la máquina requieren una formación especial. Esto aplica especialmente al equipo de seguridad. Si la máquina no pasa exitosamente alguna de las comprobaciones indicadas a continuación, póngase en contacto con el taller de servicio. La compra de alguno de nuestros productos le garantiza la disponibilidad de mantenimiento y servicio profesionales. Si el comerciante que vende la máquina no es un concesionario de servicio, pídale la dirección del taller de servicio más cercano.



- Use siempre protección ocular homologada. Si utiliza un visor, también debe usar gafas protectoras homologadas. Las gafas protectoras homologadas deben cumplir con la norma ANSI Z87.1 de EE. UU. o EN 166 para países de la UE. El impacto de ramas y objetos despedidos pueden causar heridas en los ojos.



- Use botas antideslizantes y resistentes.



- Siempre use pantalones largos y gruesos, botas, guantes y una camisa de manga larga. Para reducir el riesgo de lesiones asociadas al arrastre de objetos hacia las piezas giratorias, no use ropa, bufandas, joyas, etc. sueltas. Fíjese el cabello de manera que este se mantenga por sobre del nivel de los hombros.
- Se debe utilizar una máscara respiratoria cuando exista riesgo de polvo.
- Tenga siempre a mano un botiquín de primeros auxilios.



Para comprobar la protección del equipo de corte

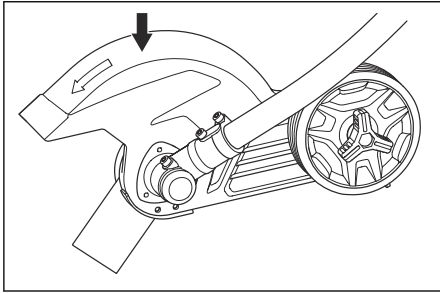


ADVERTENCIA: No utilice un equipo de corte sin una protección aprobada. Si se instala una protección del equipo de corte incorrecta o defectuosa, puede provocar lesiones.



ADVERTENCIA: Si el equipo de corte está conectado a una unidad de alimentación con batería, asegúrese de que la protección delantera esté instalada.

- Asegúrese de que la protección del equipo de corte y la protección delantera no estén dañadas. Reemplace la protección del equipo de corte y la protección delantera si están dañadas.

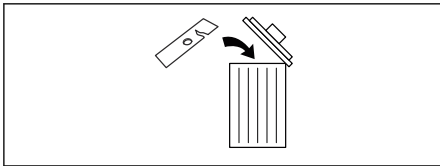


- Solo utilice piezas de repuesto originales.

Para comprobar la cuchilla

La cuchilla fue diseñada y fabricada para soportar las cargas que implica el bordeado de césped.

- Compruebe que la cuchilla no presente daños o grietas. Siempre debe reemplazar las cuchillas dañadas.



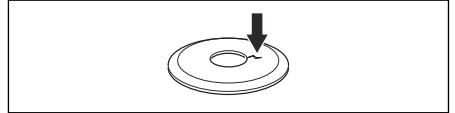
Posición de trabajo

- Sostenga el producto con ambas manos.
- Mantenga el producto al lado derecho de su cuerpo.

- Mantenga el equipo de corte por debajo de la cintura.
- Mantenga las partes del cuerpo alejadas de las superficies calientes.
- Mantenga las partes del cuerpo alejadas del accesorio de corte.

Para comprobar la brida de apoyo

- Compruebe que la brida de apoyo no tenga grietas debido a la fatiga o a un apriete excesivo. Elimine la brida de apoyo si tiene grietas.



Para comprobar la contratuerca



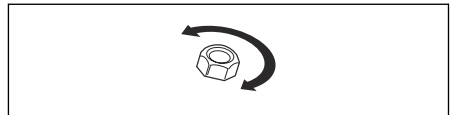
AVISO: El revestimiento de nailon dentro de la contratuerca no debe estar tan desgastado como para que se pueda girar a mano. El revestimiento debe ofrecer una resistencia mínima de 13 in-lb / 1,5 Nm. La contratuerca se debe sustituir después de haberla apretado unas 10 veces.



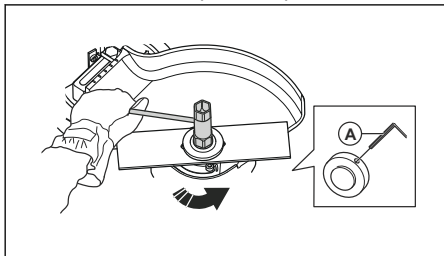
AVISO: La contratuerca tiene un enrosque hacia la izquierda. Apretar la contratuerca en exceso puede provocar daños a las roscas.

La contratuerca asegura el equipo de corte en el eje de salida. Proteja sus manos de lesiones durante el montaje, utilice la protección del equipo de corte para protegerse cuando apriete con una llave de cubo.

1. Cuando lleve a cabo el ajuste, apriete la contratuerca en el sentido contrario al sentido de rotación del equipo de corte. Para retirarlo, afloje la contratuerca en la misma dirección en la que gira el equipo de corte.



- Coloque un destornillador pequeño o un pasador de bloqueo (A) en el orificio del disco de arrastre para bloquear la cuchilla.



- Apriete la contratuerca a un par de 11-15 ft-lb / 15-20 Nm.

Instrucciones de seguridad para el mantenimiento



ADVERTENCIA: Lea las siguientes instrucciones de seguridad antes de usar el producto.

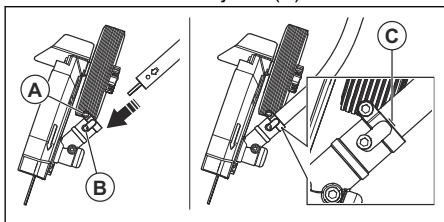
- Siempre detenga el motor antes de trabajar en el equipo de corte. La cuchilla continúa moviéndose, incluso cuando se suelta el acelerador/gatillo de alimentación. Si se trata de un producto que funciona con gasolina, quite el sombrerete de bujía de la bujía. Si se trata de un producto que funciona con baterías, quite la batería. Asegúrese de que el equipo de corte se haya detenido completamente antes de realizar trabajos en él.
- Siempre utilice guantes para trabajo pesado cuando repare el equipo de corte. Es muy afilado y puede fácilmente provocar cortes.
- Utilice únicamente piezas de repuesto originales para las reparaciones.
- Mantenga el producto alejado de los niños.

GUARDE ESTAS INSTRUCCIONES

Montaje

Para instalar el eje en la caja de cambios

- Afloje el tornillo de la abrazadera (A) y retire el tornillo de ajuste (B).



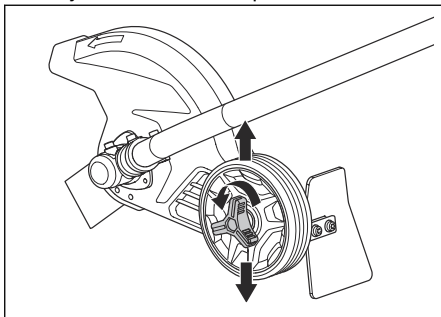
- Alinee la flecha del eje con el orificio del tornillo de ajuste de la caja de cambios.
- Empuje el eje hasta que la marca de línea (C) toque la caja de cambios.
- Alinee los orificios de los tornillos de ajuste en el eje y la caja de cambios.
- Vuelva a colocar el tornillo de ajuste y apriételo.

- Apriete el tornillo de la abrazadera.

Para ajustar la profundidad de corte del equipo de corte

Antes de comenzar a trabajar, se debe ajustar la profundidad de corte del equipo de corte.

- Afloje la tuerca de mariposa.



- Ajuste la profundidad de corte deseada.
- Apriete la tuerca de mariposa.

Mantenimiento

Introducción

A continuación encontrará algunas instrucciones generales de mantenimiento. Si necesita más información, comuníquese con su taller de servicio.

Para realizar mantenimiento diario

- Realice las tareas de mantenimiento diario de la unidad de alimentación. Para obtener información sobre la unidad de alimentación, consulte el manual del usuario.
- Examine el producto antes de cada operación. Asegúrese de que el producto esté instalado correctamente. Cambie las piezas dañadas.
- Asegúrese de que la cuchilla esté instalada correctamente.
- Compruebe que la cuchilla no gire cuando se suelte el acelerador/gatillo de alimentación.
- Compruebe que la protección del equipo de corte no esté dañada ni agrietada. Reemplace la protección del equipo de corte si se ha golpeado o está agrietada.
- Compruebe que la protección del equipo de corte no esté dañada ni agrietada. Reemplace la cuchilla si es necesario.
- Compruebe que la brida de apoyo no esté dañada.
- Compruebe que la contratuerca esté ajustada.

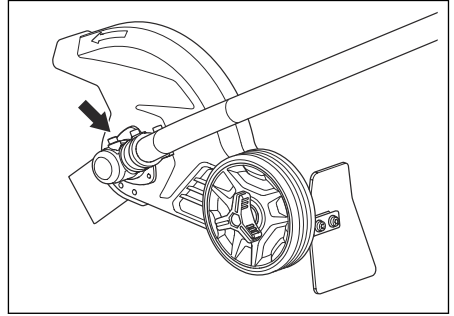
Para realizar el mantenimiento semanal

- Compruebe que el engranaje angulado esté lleno hasta $\frac{3}{4}$ de grasa. Si es necesario, llene con grasa especial.

Para comprobar el engranaje angulado

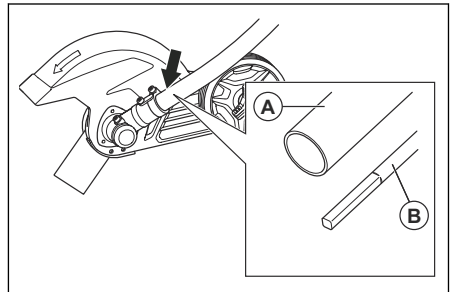
Durante su fabricación, el engranaje angulado se llena con una cantidad suficiente de grasa. Normalmente, la grasa en el engranaje angulado no necesita cambiarse, excepto si se realizan reparaciones.

- Antes de utilizar el producto, compruebe que el engranaje angulado esté lleno hasta $\frac{3}{4}$ de grasa. Si es necesario, llene con grasa especial.



Para lubricar el eje propulsor flexible

1. Afloje los 2 tornillos en el engranaje angulado.
2. Retire el conjunto del eje.
3. Realice un agarre firme en el eje hueco (A) y quite el eje propulsor flexible (B) desde el extremo opuesto de la caja de cambios.



4. Lubrique toda la longitud del eje propulsor flexible.
5. Coloque el eje propulsor flexible en el tubo. Gire el eje propulsor flexible cuando lo coloque en el engranaje angulado para asegurarse de que se conecte correctamente.
6. Conecte el engranaje angulado en el eje propulsor y apriete los 2 tornillos. Consulte *Para instalar el eje en la caja de cambios en la página 22.*

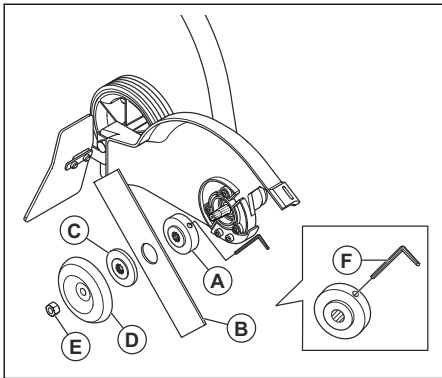
Para reemplazar la cuchilla

1. Coloque un destornillador pequeño o un pasador de bloqueo (F) en el orificio del disco de arrastre (A) para bloquear la cuchilla (B).
2. Afloje la contratuerca (E) y quítela.



Tenga en cuenta: La contratuerca tiene un enrosque hacia la izquierda.

3. Retire la pestaña de soporte (D), el retenedor (C), la cuchilla (B) y el disco de arrastre (A).
4. Examine la contratuerca, la pestaña de soporte, el retenedor y el disco de arrastre. Reemplace las piezas que estén dañadas.
5. Conecte el disco de arrastre al eje de salida. Asegúrese de que el borde exterior del disco de arrastre esté en el orificio de la cuchilla.



6. Instale la nueva cuchilla en el disco de arrastre.
7. Instale la pestaña de soporte. El borde exterior de la pestaña de soporte debe empujar la cuchilla.
8. Instale la pestaña de soporte.
9. Instale la contratuerca.
10. Apriete la contratuerca a un par de 12-15 ft-lb / 15-20 Nm.
11. Retire el destornillador o el pasador de bloqueo.

Datos técnicos

	ECA308
Peso	
Peso, lb/kg	4,9/2,2

Accesorios

Equipo de corte	N.º de art.
Hoja	531 30 02-33

Table des matières

Introduction.....	26	Entretien.....	36
Sécurité.....	27	Caractéristiques techniques.....	37
Montage.....	35	Accessoires.....	38

Introduction

Description du produit

Nous avons une politique de développement continu et nous réservons donc le droit de modifier la conception et l'apparence des produits sans préavis.

Utilisation prévue

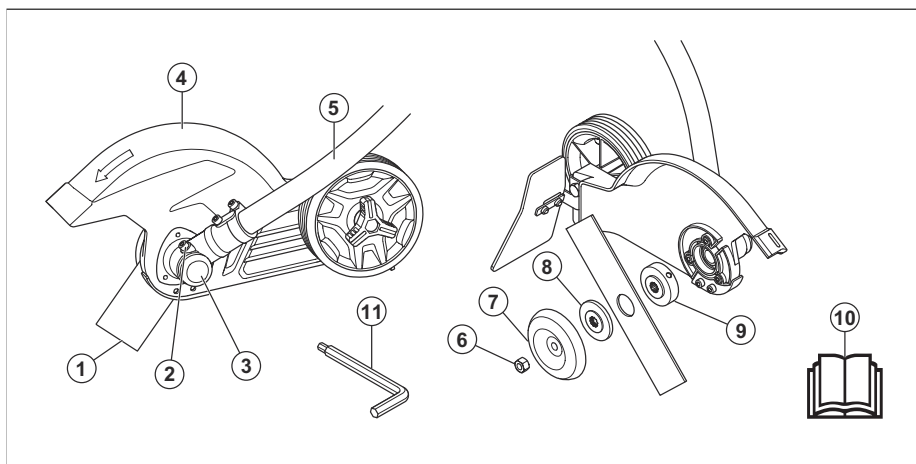


AVERTISSEMENT : N'utiliser cet outil qu'avec des produits

destinés à cet effet. Se reporter au chapitre sur les accessoires dans le manuel de l'opérateur de votre produit.

Utiliser l'accessoire pour couper l'herbe et d'autres couverts souples.

Aperçu de l'outil



1. Lame
2. Bouchon de remplissage de graisse, pignon conique
3. Renvoi d'angle
4. Dispositif de protection de l'outil de coupe
5. Arbre
6. Contre-écrou
7. Bride de support
8. Dispositif de retenue
9. Entretoise
10. Manuel d'utilisation
11. Clé hexagonale

Symboles figurant sur le produit



Si l'outil est utilisé de manière insouciante ou non appropriée, cela pourrait causer des blessures graves voire mortelles pour l'utilisateur ou pour d'autres personnes.



Lire attentivement le manuel d'utilisation et veiller à bien comprendre les directives avant d'utiliser l'accessoire.



Toujours porter des protecteurs d'oreille homologués et des lunettes de protection ou une visière. Utiliser un masque respiratoire dans les environnements poussiéreux.



Toujours porter des gants de protection homologués.



Porter des bottes antidérapantes robustes.



Prendre soin de retenir les cheveux longs au-dessus des épaules



Faire attention aux objets projetés et aux ricochets.



La lame continue de tourner même après l'arrêt du moteur.



Tenir les personnes et les animaux à une distance minimale de 15 m / 50 pi pendant l'utilisation de l'appareil.

Remarque : Les autres symboles et autocollants apposés sur l'outil se rapportent

aux exigences en matière de certification pour certains marchés.

Proposition 65 de la Californie

! ATTENTION!

Ce produit contient ou émet un produit chimique qui, d'après l'État de Californie, peuvent causer le cancer, des malformations congénitales ou autre danger pour la reproduction.

Fabricant

Husqvarna Professional Products, Inc 9335 Harris Corners Pkwy, Charlotte, NC 28269, USA

Produit endommagé

Nous ne sommes pas responsables des dommages causés à notre produit si :

- Le produit n'est pas réparé de façon adéquate.
- Le produit est réparé avec des pièces qui ne sont pas fournies ou homologuées par le fabricant.
- Le produit comprend un accessoire qui n'est pas fourni ou homologué par le fabricant.
- Le produit n'est pas réparé par un centre de service après-vente agréé ou par une autorité homologuée.

Sécurité

IMPORTANTES CONSIGNES DE SÉCURITÉ

Définitions relatives à la sécurité

Les avertissements, recommandations et remarques soulignent des points du manuel d'utilisation qui revêtent une importance particulière.



AVERTISSEMENT : Indique la présence d'un risque de blessure ou de décès de l'utilisateur ou de personnes à proximité si les instructions du manuel ne sont pas suivies.



MISE EN GARDE : Indique la présence d'un risque de dommages au produit ou à l'outil, à d'autres appareils ou à la zone adjacente si les instructions du manuel ne sont pas suivies.

Remarque : Utilisé pour donner des renseignements plus détaillés qui sont nécessaires dans une situation donnée.

Lire toutes les instructions



AVERTISSEMENT : Lors de l'utilisation d'appareils de jardinage, toujours respecter les consignes de sécurité de base afin de réduire le risque d'incendie, de choc électrique et de blessures personnelles, dont les consignes suivantes :

Consignes générales de sécurité



AVERTISSEMENT : Lire les instructions de sécurité qui suivent avant d'utiliser l'outil.

- Lire attentivement le manuel de l'opérateur et s'assurer de bien comprendre les instructions avant d'utiliser l'outil.
- Ces instructions complètent les instructions fournies avec le produit. Pour d'autres procédures, se reporter aux instructions d'utilisation du produit.
- La conception de l'outil ne peut en aucun cas être modifiée sans l'autorisation du fabricant. Ne pas utiliser un outil qui semble avoir été modifié par d'autres, et toujours utiliser des accessoires d'origine. Les modifications et/ou les accessoires non autorisés peuvent entraîner des blessures graves ou la mort de l'opérateur ou d'autres personnes.

Avertissements de sécurité relatifs au coupe-herbe, à la débroussailleuse et à la débroussailleuse portative

- **Ne pas utiliser la machine lorsque les conditions météo sont mauvaises en particulier s'il y a risque d'éclairs.** pour ne pas courir le risque d'être foudroyé.
- **Inspecter soigneusement la zone d'utilisation de la machine à la recherche de petits animaux.** Les animaux peuvent être blessés par la machine pendant l'utilisation.
- **Inspecter minutieusement la zone d'utilisation du produit et retirer les pierres,**

les bâtons, les fils, les os et tout autre objet. La projection d'objets peut causer des blessures personnelles.

- **Avant d'utiliser la machine, toujours l'inspecter visuellement pour s'assurer que l'outil de coupe ou la lame et l'ensemble de coupe ou de lame ne sont pas endommagés.** Les pièces endommagées augmentent le risque de blessures.
- **Suivre les instructions pour le changement des accessoires.** Un serrage incorrect des écrous ou des boulons de fixation de la lame peut endommager la lame ou causer son détachement.
- **La vitesse nominale de rotation de l'outil de coupe doit être au moins égale à la vitesse maximale de rotation indiquée sur la machine.** Les outils de coupe qui tournent plus vite que leur vitesse nominale de rotation peuvent se briser et être projetés.
- **Porter des protections pour les yeux, les oreilles, la tête et les mains.** Le port d'équipement de protection approprié réduit le risque de blessures causées par la projection de débris ou un contact accidentel avec le fil de coupe ou la lame.
- **Lors de l'utilisation de la machine, toujours porter des chaussures de protection antidérapantes. Ne pas utiliser la machine pieds nus ou avec des sandales ouvertes.** Cela augmenterait le risque de blessure aux pieds causée par une lame, un fil ou un outil de coupe en mouvement.
- **Pendant l'utilisation de la machine, porter toujours de longs pantalons.** La peau exposée augmente le risque de blessures causées par la projection d'objets.
- **Tenir les passants éloignés lorsque vous utilisez la machine.** La projection de débris peut causer de graves blessures.
- **Toujours manipuler la machine avec les deux mains.** Tenir la machine avec les deux mains évitera d'en perdre le contrôle.
- **Tenir la machine uniquement par les endroits isolés prévus pour la prise de l'outil, car la lame ou le fil de coupe pourrait entrer en contact avec un câble dissimulé.** Si le fil de coupe ou les lames entrent en contact avec un câble sous tension, les parties métalliques non isolées de la machine pourraient agir comme conducteur et électrocuter l'utilisateur.

- **Toujours s'assurer d'avoir un bon appui et d'utiliser la machine uniquement en se tenant debout sur le sol.** Sur une surface glissante ou instable, il y a un risque de perte d'équilibre ou de contrôle de la machine.
- **N'utilisez pas la machine sur un terrain en pente très abrupte.** Cela augmenterait le risque de perte de contrôle, de glissement et de chute pouvant entraîner des blessures.
- **Lorsque vous travaillez sur un terrain en pente, assurez-vous toujours de vos appuis, de toujours travailler perpendiculairement à la pente, de ne jamais monter ou descendre et faites preuve d'une extrême prudence lorsque vous changez de direction.** Cela augmenterait le risque de perte de contrôle, de glissement et de chute pouvant entraîner des blessures.
- **Garder toutes les parties du corps à l'écart de l'outil de coupe, du fil ou de la lame lorsque la machine est en marche. Avant de mettre la machine en marche, s'assurer que l'outil de coupe, le fil ou la lame n'est pas en contact avec quoi que ce soit.** Tout moment d'inattention pendant l'utilisation de la machine pourrait vous blesser ou blesser d'autres personnes.
- **N'utilisez pas la machine au-dessus de la hauteur de la taille.** De cette façon, le risque de contact accidentel avec la lame ou l'outil de coupe sera réduit et il sera plus facile de contrôler la machine dans des situations imprévues.
- **Lors de la coupe de broussailles ou de jeunes arbres en tension, prendre garde à l'effet de rebond.** Lorsque la tension présente dans les fibres du bois est relâchée, les broussailles ou les jeunes arbres peuvent frapper l'opérateur ou lui faire perdre le contrôle de la machine.
- **Toujours faire preuve d'une extrême prudence lors de la coupe de broussailles ou de jeunes arbres.** La lame peut projeter les petites branches vers l'utilisateur ou lui faire perdre l'équilibre.
- **Garder le contrôle de la machine et ne pas toucher aux outils de coupe, aux fils ou aux lames et aux autres pièces mobiles dangereuses pendant qu'elles sont toujours en mouvement.** Cela réduit le risque de blessures causées par les pièces mobiles.
- **Lors du dégagement de matières coincées ou de l'entretien de la machine, s'assurer que tous les interrupteurs sont éteints et que le bloc de batteries ou le fil d'alimentation est débranché.** Le démarrage accidentel de la machine lors du dégagement de matières coincées ou de l'entretien de la machine peut entraîner des blessures très graves.
- **Transporter la machine éteinte et éloignée de votre corps.** Une manipulation adéquate de la machine réduit le risque de contact accidentel avec le fil, la lame ou l'outil de coupe en mouvement.
- **Lors du transport ou de l'entreposage de la machine, toujours installer les couvre-lames sur les lames en métal.** Le maniement approprié de la machine réduit le risque de contact accidentel avec la lame.
- **N'utilisez que des outils de coupe, des lignes, des têtes de coupe et des lames de rechange spécifiés par le fabricant.** Des pièces de rechange inappropriées peuvent augmenter le risque de bris ou des blessures.

Autres renseignements relatifs à la sécurité

- Éviter les environnements dangereux – ne pas utiliser les produits dans des endroits humides ou mouillés.
- Ne pas utiliser sous la pluie.
- Tenir à l'écart des enfants : tous les visiteurs doivent être tenus à bonne distance de la zone de travail.
- S'habiller convenablement – ne jamais porter de vêtements amples ou de bijoux. Ils peuvent se coincer dans les pièces mobiles. Il est recommandé de porter des gants en caoutchouc et des chaussures robustes pour travailler à l'extérieur. Le cas échéant, portez un couvre-chef pour couvrir les cheveux longs.
- Porter des lunettes de sécurité – toujours porter un masque à poussière en cas d'utilisation de l'appareil en milieu poussiéreux.
- Utiliser le bon produit – ne pas utiliser un produit pour une autre tâche que celle à laquelle il est destiné.
- Ne pas forcer le produit – il offre de meilleurs résultats et le travail est effectué

de façon plus sécuritaire s'il tourne au régime pour lequel il a été conçu.

- Ne pas se pencher trop en avant – garder l'équilibre et un bon appui au sol en tout temps.
- Rester vigilant – être conscient de ce que l'on fait. Faire preuve de bon sens Ne pas faire fonctionner le produit lorsque vous êtes fatigué.
- Ranger les produits inutilisés à l'intérieur – lorsqu'ils ne sont pas utilisés, les produits doivent être rangés à l'intérieur, dans un endroit sec et en hauteur ou verrouillé, hors de portée des enfants.
- Entretien le produit avec soin – garder le bord coupant bien affûté et propre pour obtenir des performances optimales et réduire le risque de blessures. Respecter les instructions concernant la lubrification et le changement des accessoires. Garder les poignées sèches, propres et exemptes d'huile et de graisse.
- Vérifier les pièces endommagées – avant toute utilisation du produit, il convient de vérifier soigneusement qu'une protection ou toute autre pièce endommagée fonctionne correctement et remplit sa fonction prévue. Vérifier l'alignement des pièces mobiles, le grippage des pièces mobiles, la rupture de pièces, le montage et tout autre état susceptible de nuire à son fonctionnement. Une protection ou toute autre pièce endommagée doit être réparée ou remplacée adéquatement par un centre d'entretien autorisé, sauf indication contraire dans ce manuel.

Sécurité de l'aire de travail

- **Maintenir l'aire de travail propre et bien éclairée.** Les endroits sombres ou encombrés sont propices aux accidents.
- **Ne pas utiliser des outils électriques dans des atmosphères explosives, notamment en présence de liquides, gaz ou poussières inflammables.** Les outils électriques produisent des étincelles qui peuvent enflammer les poussières et les vapeurs.
- **Tenir les enfants et les spectateurs à distance lorsque l'outil électrique est en marche.** Un moment d'inattention pourrait vous en faire perdre le contrôle.

Sécurité personnelle

- **Lors de l'utilisation d'un outil électrique, toujours demeurer attentif et faire preuve de bon sens. Ne pas utiliser l'outil électrique si vous êtes fatigué ou sous l'emprise de drogues, de l'alcool ou de médicaments.** Tout moment d'inattention pendant l'utilisation d'un outil électrique peut causer de graves blessures.
- **Utiliser de l'équipement de protection personnelle. Toujours porter des lunettes de protection.** L'équipement de protection (masque antipoussière, chaussures de sécurité antidérapantes, dispositif de protection pour les oreilles, etc.) utilisé selon les conditions présentes réduit les risques de blessure.
- **Prévenir les démarrages accidentels. Vérifier que l'interrupteur est à la position d'arrêt avant de brancher l'outil dans la prise ou le bloc d'alimentation, de le saisir ou de le transporter.** Le transport des outils électriques en maintenant le doigt sur l'interrupteur d'alimentation et le branchement d'outils alors que l'interrupteur est à la position de marche expose à des accidents.
- **Retirer toute clé ou clavette de réglage avant de mettre l'outil sous tension.** Une clé ou une clavette reliée à une pièce mobile de l'outil électrique peut causer une blessure.
- **Ne pas trop se pencher vers l'avant. Toujours se tenir bien campé et en équilibre.** Cela permet de mieux contrôler l'outil électrique lors d'un imprévu.
- **S'habiller de façon appropriée. Ne jamais porter des vêtements amples ou des bijoux. Garder les cheveux, les vêtements et les gants loin des pièces mobiles.** Les vêtements amples, bijoux et cheveux longs peuvent se prendre dans les pièces en mouvement.
- **Si des dispositifs sont fournis pour raccorder des systèmes de collecte et d'extraction de la poussière, s'assurer que ceux-ci sont utilisés et correctement branchés.** L'utilisation de dépoussiéreurs peut réduire les risques associés à la poussière.
- **Ne pas laisser la parfaite connaissance de l'outil acquise en raison de l'utilisation fréquente de ce dernier engendrer la complaisance et le non-respect des**

principes de sécurité relatifs à l'outil. Une négligence peut provoquer de graves blessures en une fraction de seconde.

Instructions de sécurité pour l'utilisation



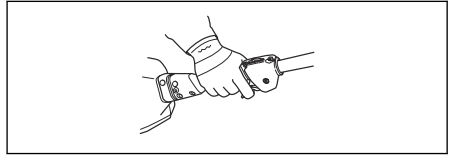
AVERTISSEMENT : Lire les instructions de sécurité qui suivent avant d'utiliser l'appareil.

- Ne pas laisser un enfant utiliser le produit.
- Ne jamais laisser des gens utiliser le produit sans d'abord s'assurer qu'ils ont compris le contenu du manuel de l'opérateur.
- Tout accident avec cet outil engage la responsabilité de l'opérateur.
- Tenir à l'écart toute personne non autorisée. Les enfants, les animaux, les observateurs et les assistants doivent rester en dehors de la zone de sécurité, soit à une distance d'au moins 15 m (50 pi) pendant le travail. Arrêter le produit immédiatement si une personne s'approche.
- S'assurer qu'il est possible de se déplacer et de se tenir debout en toute sécurité. Repérer les éventuels obstacles (racines, roches, branches, fossés, etc.) en cas de déplacement imprévu. Faire très attention lors du travail sur une pente.



- Vérifier la zone de travail. Retirer tous les objets mobiles tels que les pierres, le verre cassé, les clous, les fils de fer, les cordes, etc., qui pourraient être projetés ou s'enrouler autour des lames ou la protection d'accessoire de coupe.
- Faire preuve de prudence à l'égard des projections d'objets. Toujours porter des lunettes de protection homologuées. Ne jamais se pencher au-dessus du dispositif de protection de l'outil de coupe. Des pierres, des débris, etc. peuvent être projetés dans vos yeux, ce qui peut causer la cécité ou des blessures graves.

- Ne pas utiliser le produit par mauvais temps, y compris dans un brouillard épais, sous une pluie diluvienne, dans des endroits fortement venteux et en cas de froid intense, etc.
- N'utiliser le produit qu'à la lumière du jour ou dans de bonnes conditions de lumière artificielle.
- Ne pas utiliser le produit s'il est impossible d'appeler de l'aide en cas d'accident.
- Ne pas démarrer le moteur lorsqu'un passant se trouve devant la lame.
- Arrêtez le moteur avant de vous déplacer.
- Ne pas courir. Toujours marcher pendant l'utilisation du produit.
- Ne pas déposer l'outil quand le moteur tourne à moins de l'avoir sous les yeux.
- Toujours tenir le produit à deux mains. Tenir l'outil sur le côté du corps.
- Utiliser la main droite pour commander la commande d'accélération ou gâchette de puissance.



- Rester attentif aux appels ou cris d'avertissement lors de l'utilisation des protecteurs d'oreilles. Enlevez toujours les protecteurs d'oreilles dès que le moteur s'arrête.
- Si l'équipement de coupe est fixé à une unité d'alimentation par batterie, la protection avant doit être installée.
- Lorsque le moteur tourne, garder les mains et les pieds à l'écart de l'équipement de coupe.
- Lorsque le moteur est coupé, garder les mains et les pieds à l'écart de l'équipement de coupe jusqu'à ce qu'il soit complètement arrêté.
- Toujours garder l'accessoire de coupe près du sol.
- Toujours couper les bordures à plein régime ou pleine vitesse.
- Ne pas s'incliner lors du démarrage du moteur ou de la mise en marche du moteur, sauf si le produit doit être incliné pour démarrer. Dans ce cas, ne pas incliner le produit plus que nécessaire et

ne soulever que la partie qui est éloignée de l'opérateur.

- Ramener le moteur au régime de ralenti après chaque étape de travail. De longues périodes à plein régime ou pleine vitesse sans placer le moteur sous charge (c'est-à-dire sans la résistance que l'équipement de coupe exerce sur le moteur lors de l'utilisation du produit) peuvent causer de graves dommages au moteur.
- Faire particulièrement attention lorsqu'on tire le produit vers soi pendant le travail.
- Si le produit touche un objet quelconque ou produit des vibrations, l'arrêter immédiatement. Si le produit fonctionne à l'essence, retirer le chapeau de bougie de la bougie. Si le produit fonctionne à batterie, retirer la batterie. S'assurer que le produit n'a pas subi de dommages. Réparez tout dommage.
- Il arrive parfois que l'herbe ou les pierres soient coincées dans le protège-lame et l'accessoire de coupe. Toujours arrêter le moteur avant de le nettoyer.

Causes de rebonds de la lame et avertissements connexes

- **Maintenir une prise ferme avec les deux mains sur la machine et positionne vos bras de manière à absorber les rebonds de la lame. Positionner votre corps à la gauche de la machine.** Les rebonds de la lame peuvent augmenter le risque de blessure à cause du déplacement inopiné de la machine. Les rebonds peuvent être contrôlés si vous prenez les précautions adéquates.
- **Si la lame se coince ou si la coupe est interrompue pour quelque raison que ce soit, arrêter la machine et maintenir la machine à l'intérieur du matériau sans bouger jusqu'à ce que la lame s'arrête complètement. Si la lame est coincée, ne jamais tenter de retirer la machine du matériau ou de tirer la machine vers l'arrière pendant que la lame est en mouvement, sinon un rebond peut se produire.** Vérifier et prendre des mesures correctives pour éliminer la cause du blocage de la lame.
- **Ne pas utiliser de lames émoussées ou endommagées.** Les lames émoussées ou endommagées augmentent le risque de

coincement dans un objet, ce qui cause les rebonds de la lame.

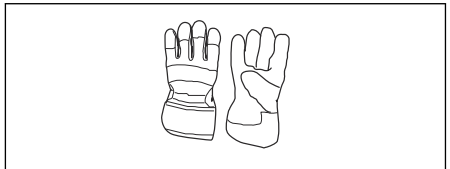
- **Toujours s'assurer d'avoir une bonne visibilité du matériau en cours de coupe.** Un rebond est plus susceptible de se produire dans les zones où il est difficile de voir le matériau à découper.
- **Si quelqu'un d'autre approche pendant l'utilisation de la machine, éteignez-la.** En cas de rebond de la lame, le risque de blessure augmente si quelqu'un d'autre se trouve à proximité.

Équipement de protection personnelle



AVERTISSEMENT : Lors du fonctionnement de l'appareil, il faut utiliser de l'équipement de protection individuelle. Cet équipement n'élimine pas les risques de blessures, mais il peut en réduire la gravité en cas d'accident. Demander conseil au distributeur pour le choix de l'équipement qui convient. Lire attentivement le manuel d'utilisation et veiller à bien comprendre les instructions avant d'utiliser le produit.

- Au besoin, porter des gants.



- Portez des protecteurs d'oreille homologués qui assurent une réduction adéquate du bruit.



AVERTISSEMENT :

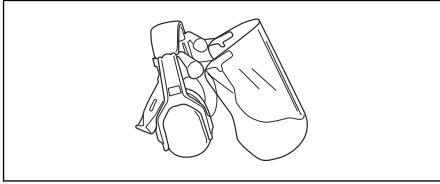
Rester attentif aux appels ou cris d'avertissement en cas de port de protecteurs d'oreilles. Enlevez toujours les protecteurs d'oreilles dès que le moteur s'arrête.



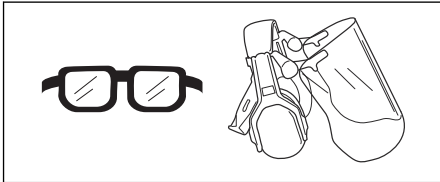
AVERTISSEMENT :

L'exposition prolongée au bruit peut causer des lésions auditives permanentes. Utilisez

toujours des protecteurs d'oreille homologués.



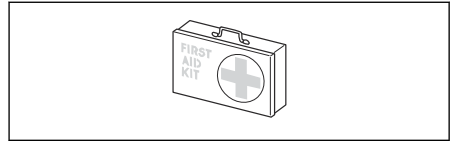
- Toujours porter des lunettes de protection homologuées. Si vous utilisez une visière, porter également des lunettes de protection approuvées. Les lunettes de protection homologuées doivent être conformes à la norme ANSI Z87.1 aux États-Unis ou à la norme EN 166 dans les pays de l'Union européenne. Les branches et les objets projetés peuvent endommager les yeux.



- Porter des bottes antidérapantes robustes.



- Portez toujours des pantalons résistants et longs, des bottes, des gants et des manches longues. Pour réduire tout risque de blessure provoquée par des objets attirés dans les pièces en rotation, ne pas porter de vêtements larges, d'écharpe, de bijoux, etc. S'attacher les cheveux de manière à ce qu'ils ne tombent pas en dessous des épaules.
- Utiliser un masque respiratoire dans les environnements poussiéreux.
- une trousse de premiers secours doit toujours être disponible



Dispositifs de sécurité sur l'outil



AVERTISSEMENT : Lire les messages d'avertissement qui suivent avant d'utiliser l'appareil.

Cette section décrit l'équipement de sécurité du produit, son but et la façon d'en effectuer les inspections et l'entretien afin de s'assurer qu'il fonctionne correctement. Consulter les instructions sous la rubrique *Aperçu de l'outil à la page 26* pour trouver où ces pièces se trouvent sur votre produit.

La durée de vie du produit peut être réduite et le risque d'accident peut augmenter si l'entretien de la machine n'est pas effectué correctement et si l'entretien ou les réparations ne sont pas effectués de façon professionnelle. Pour obtenir de plus amples informations, veuillez communiquer avec votre concessionnaire le plus proche.



AVERTISSEMENT : Ne jamais utiliser un produit dont les composants de sécurité sont endommagés. L'équipement de sécurité du produit doit être inspecté et entretenu selon les directives de la présente section. Si une inspection de la machine détecte une panne, communiquer avec un atelier spécialisé pour réparation.



MISE EN GARDE : Tous les travaux de réparation nécessitent une formation spéciale. Ceci concerne particulièrement l'équipement de sécurité de la machine. Si les contrôles suivants ne donnent pas un résultat positif, vous devez communiquer avec un atelier spécialisé. L'achat de l'un de nos produits offre à l'acheteur la garantie d'un service et de réparations qualifiés. Si le détaillant qui vous a vendu la machine n'est pas un centre de service agréé,

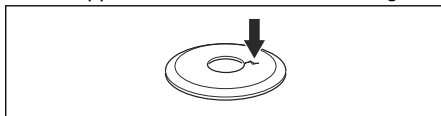
demandez-lui l'adresse de l'atelier spécialisé le plus proche.

Position de travail

- Tenir l'outil avec les deux mains.
- Tenir l'outil sur le côté droit du corps.
- Tenir l'outil de coupe sous la taille de l'utilisateur.
- Garder les parties du corps à l'écart des surfaces chaudes.
- Garder les parties du corps à l'écart de l'outil de coupe.

Pour vérifier la bride de support

- S'assurer que la bride de support ne présente pas de fissures liées à la fatigue ou à un serrage excessif. Mettre la bride de support au rebut s'il est endommagé.



Pour vérifier le contre-écrou



MISE EN GARDE : Le revêtement en nylon à l'intérieur du contre-écrou ne doit pas être si usé qu'il soit possible de le tourner à la main. Le revêtement doit offrir une résistance de 13 po-lb / 1,5 Nm au minimum. Remplacer le contre-écrou après l'avoir réutilisé environ 10 fois.



MISE EN GARDE : Le contre-écrou présente un filetage à gauche. Un serrage excessif du contre-écrou peut endommager les filets.

Le contre-écrou fixe l'outil de coupe sur l'arbre de sortie. Protéger la main contre les blessures lors du montage, utiliser le dispositif de protection de l'outil de coupe en guise de protection lors du serrage à l'aide d'une clé à douille.

Pour vérifier le dispositif de protection de l'outil de coupe

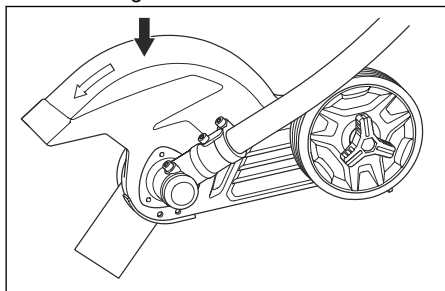


AVERTISSEMENT : Ne pas utiliser un outil de coupe dépourvu du dispositif de protection homologué. L'utilisation d'un protège-lame inapproprié ou endommagé peut causer des blessures.



AVERTISSEMENT : Si l'équipement de coupe est fixé à une unité d'alimentation par batterie, assurez-vous que la protection avant est installée.

- Vérifier que le dispositif de protection avant et celui de l'équipement de coupe ne sont pas endommagés. Remplacer le dispositif de protection avant et celui de l'équipement de coupe s'ils sont endommagés.

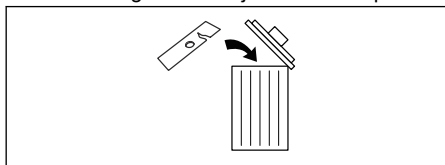


- Utiliser des pièces de rechange d'origine.

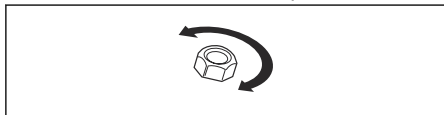
Pour vérifier la lame

La lame est conçue et fabriquée pour résister aux charges créées par la coupe des bordures de pelouse.

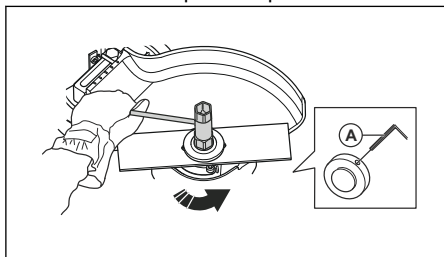
- Vérifier la lame pour détecter d'éventuels dommages ou fissures. Une lame endommagée doit toujours être remplacée.



1. Lors de l'installation, serrer le contre-écrou dans le sens opposé au sens de rotation de l'outil de coupe. Pour le retirer, dévisser le contre-écrou en le tournant dans le sens de rotation de l'outil de coupe.



2. Placer un petit tournevis ou une goupille de blocage (A) dans le trou du disque d'entraînement pour bloquer la lame.



3. Serrer le contre-écrou au couple de 11-15 pi-lb / 15-20 Nm.

Consignes de sécurité pour l'entretien



AVERTISSEMENT : Lire les instructions de sécurité qui suivent avant d'utiliser l'appareil.

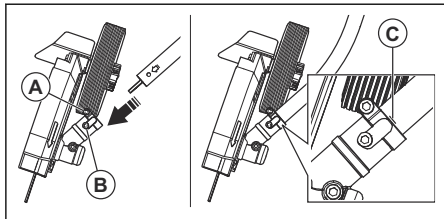
- Toujours arrêter le moteur avant d'effectuer toute intervention sur l'outil de coupe. La lame continue à se déplacer même après que vous ayez relâché la commande d'accélérateur ou la gâchette de puissance. Si le produit fonctionne à l'essence, retirer le chapeau de bougie de la bougie. Si le produit fonctionne à batterie, retirer la batterie. S'assurer que l'équipement de coupe est complètement arrêté avant de travailler dessus.
- Toujours porter des gants très résistants lors de la réparation de l'équipement de coupe. Celui-ci est extrêmement tranchant et peut facilement causer une coupure.
- N'utiliser que des pièces de rechange d'origine pour les réparations.
- Garder la machine à l'écart des enfants

CONSERVER CES INSTRUCTIONS

Montage

Pour installer l'arbre dans la boîte de vitesses

1. Desserrer la vis de serrage (A) et retirer la vis de réglage (B).



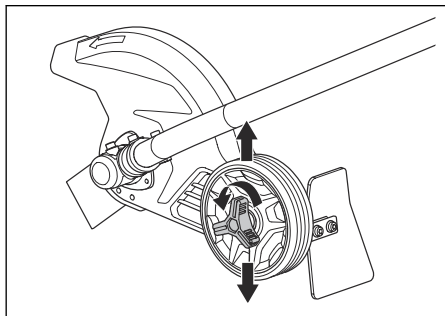
2. Aligner la flèche de l'arbre avec le trou de la vis de réglage de la boîte de vitesses.
3. Pousser l'arbre jusqu'à ce que le repère de ligne (C) touche la boîte de vitesses.
4. Aligner les trous de la vis de réglage de l'arbre et de la boîte de vitesses.

5. Remplacer et serrer la vis de réglage.
6. Serrer la vis de serrage.

Pour régler la profondeur de coupe de l'outil de coupe

Régler la profondeur de coupe de l'outil de coupe avant de commencer le travail.

1. Desserrer l'écrou à oreilles.



2. Régler la profondeur de coupe voulue.

3. Serrer l'écrou à oreilles.

Entretien

Introduction

Vous trouverez ci-dessous quelques instructions d'entretien général. Pour obtenir des renseignements supplémentaires, communiquez avec votre atelier d'entretien.

Pour effectuer l'entretien quotidien

- Effectuer la maintenance quotidienne de l'unité électrique. Se reporter au manuel de l'opérateur de l'unité électrique.
- Examiner le produit avant chaque utilisation. S'assurer que le produit est installé correctement. Remplacer les pièces endommagées.
- S'assurer que la lame est installée correctement.
- Vérifier que la lame ne tourne pas lorsque la commande d'accélération ou la gachette de puissance est relâchée.
- S'assurer que le dispositif de protection de l'outil de coupe n'est ni endommagé ni fissuré. Remplacer le dispositif de protection de l'outil de coupe s'il a reçu un coup ou s'il est fissuré.
- S'assurer que la lame n'est ni endommagée ni fissurée. Remplacer la lame au besoin.
- S'assurer que la bride de support n'est pas endommagée.
- S'assurer que le contre-écrou est serré.

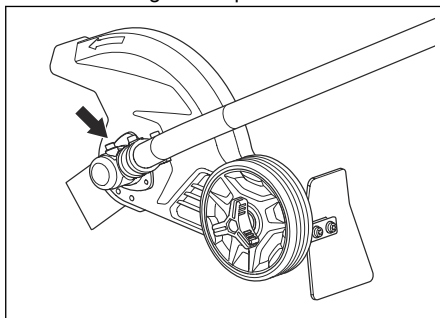
Pour effectuer l'entretien hebdomadaire

- S'assurer que le pignon conique est rempli au $\frac{3}{4}$ de graisse. Faire un appoint de graisse au besoin, à l'aide d'une graisse spéciale.

Pour vérifier le pignon conique

Le pignon conique est rempli de la quantité de graisse nécessaire en usine. Il n'est pas nécessaire normalement de remplacer la graisse du pignon conique à moins que des réparations soient effectuées.

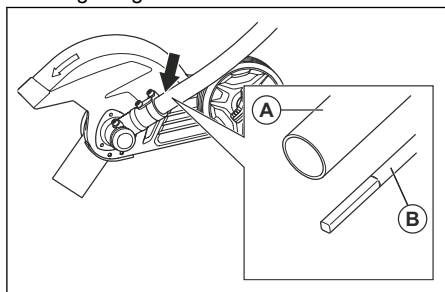
- Avant d'utiliser le produit, s'assurer que le renvoi d'angle est rempli au $\frac{3}{4}$ de graisse. Faire un appoint de graisse au besoin, à l'aide d'une graisse spéciale.



Pour lubrifier l'arbre d'entraînement flexible

1. Desserrer les 2 vis du pignon conique.
2. Retirer l'assemblage de l'arbre.

3. Saisir fermement l'arbre creux (A) et retirer l'arbre d'entraînement flexible (B) de l'extrémité opposée de la boîte d'engrenage.



4. Lubrifier toute la longueur de l'arbre d'entraînement flexible.
5. Placer l'arbre d'entraînement flexible dans le tube. Tourner l'arbre d'entraînement flexible lorsqu'on le place dans le renvoi d'angle pour s'assurer qu'il s'engage correctement.
6. Fixer le renvoi d'angle sur l'arbre d'entraînement et serrer les 2 vis. Se reporter à *Pour installer l'arbre dans la boîte de vitesses à la page 35.*

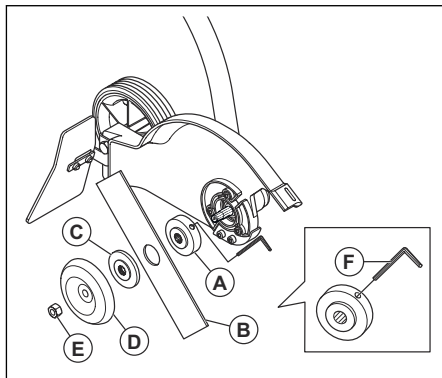
Pour remplacer la lame

1. Placer un petit tournevis ou une goupille de blocage (F) dans le trou du disque d'entraînement (A) pour bloquer la lame (B).
2. Desserrer et retirer le contre-écrou (E).



Remarque : Le contre-écrou présente un filetage à gauche.

3. Retirer la bride de support (D), le dispositif de retenue (C), la lame (B) et le disque d'entraînement (A).
4. Examiner le contre-écrou, la bride de support, le dispositif de retenue et le disque d'entraînement. Remplacer toute pièce endommagée.
5. Fixer le disque d'entraînement sur l'arbre sortant. S'assurer que le bord extérieur du disque d'entraînement se trouve dans le trou de la lame.



6. Poser la lame neuve sur le disque d'entraînement.
7. Installer la bride de support. Le bord extérieur de la bride de support doit pousser sur la lame.
8. Installer la bride de support.
9. Installer le contre-écrou.
10. Serrer le contre-écrou au couple de 12-15 pi-lb / 15-20 Nm.
11. Retirer le tournevis ou la goupille de blocage.

Caractéristiques techniques

	ECA308
Poids	
Poids, lb/kg	4,9/2,2

Accessoires

Équipement de coupe	Numéro d'article
Lame	531 30 02-33



Husqvarna®

www.husqvarna.com

Original instructions
Instrucciones originales
Instructions d'origine

1143525-49 Rev. 0



2023-08-10