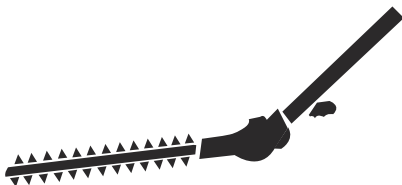




Husqvarna®



HA322

EN	Operator's manual
ES-MX	Manual del usuario
FR-CA	Manuel d'utilisation

2-11
12-22
23-32

Contents

Introduction.....	2	Operation.....	8
Safety.....	3	Maintenance.....	10
Assembly.....	8	Technical data.....	11

Introduction

Product description

We have a policy of continuous product development and therefore reserve the right to modify the design and appearance of the products without prior notice.

Intended use

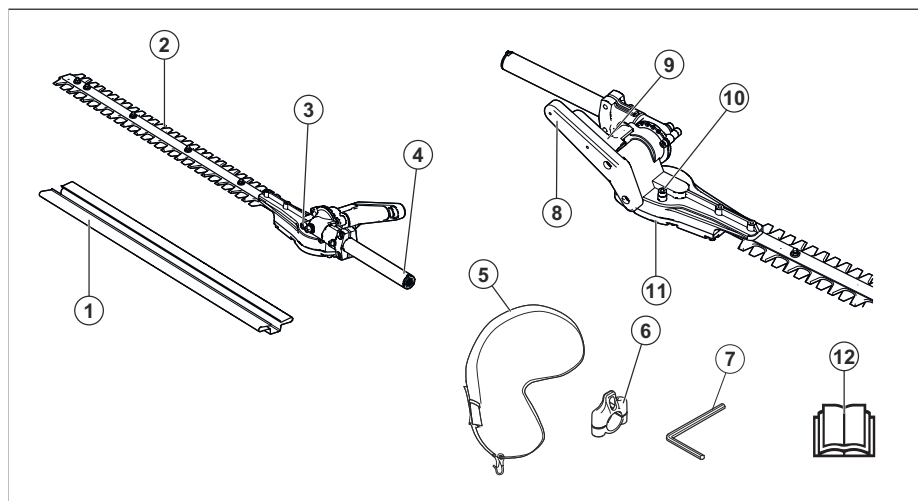


WARNING: This attachment may only be used together with

the intended product, see the accessory chapter in the Operator's Manual of the product.

The product is only designed for cutting branches and twigs.

Attachment overview for HA322



1. Transport guard
2. Cutter
3. Grease nipple and plug for filling lubricant (transmission housing)
4. Shaft
5. Harness
6. Harness support hook
7. Hex key
8. Angle adjustment handle
9. Angle adjustment lever
10. Grease nipple and plug for filling lubricant (gear housing)

11. Bevel gear housing
12. Operator's manual

Symbols on the attachment and the power unit



Careless or incorrect use of this product can result in serious or fatal injury to the operator or others.



Read the operator's manual carefully and make sure you understand the instructions before you use the attachment.



Read the operator's manual carefully and make sure you understand the instructions before you use the attachment.



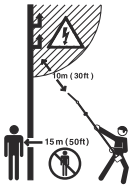
Wear approved protective helmet, hearing and eye protection.



DANGER - Keep hands away from blade.



DANGER - Keep hands away from blade.



DANGER - This product is not electrically insulated. If the product touches or comes close to high-voltage power lines it could lead to death or serious bodily injury. Electricity can jump from one point to another by arcing. The higher the voltage, the greater the distance electricity can jump. Electricity can also travel through branches and other objects, especially if they are wet. Always keep a distance of at least 10 m between the product and high-voltage power lines and/or any objects that are touching them. If have to work within this safe distance you should always contact the relevant power company to make sure the power is switched off before you start work.

The operator of the product must ensure, while working, that no persons or animals come closer than 15 meters.



Keep all parts of your body away from the hot surfaces.



Arrows which show limits for handle positioning.



Always wear approved protective gloves.



Wear sturdy, non-slip boots.

Note: Other symbols/decals on the attachment refer to special certification requirements for certain markets.

California Proposition 65



WARNING

This product contains or emits a chemical known to the State of California to cause cancer or birth defects or other reproductive harm.

Safety

Safety definitions

Warnings, cautions and notes are used to point out specially important parts of the manual.



WARNING: Used if there is a risk of injury or death for the operator or bystanders if the instructions in the manual are not obeyed.



CAUTION: Used if there is a risk of damage to the product, other materials or the adjacent area if the instructions in the manual are not obeyed.

Note: Used to give more information that is necessary in a given situation.

General power tool safety warnings



WARNING: Read all safety warnings, instructions, illustrations and specifications provided with this power tool. Failure to follow all instructions listed below may result in electric shock, fire and/or serious injury.

- **Save all warnings and instructions for future reference.** The term "power tool" in the warnings refers to your mains-operated (corded) power tool or battery-operated (cordless) power tool.

Hedge trimmer safety warnings:

- **Keep all parts of the body away from the blade. Do not remove cut material or hold material to be cut when blades are moving.** *Blades continue to move after the switch is turned off. A moment of inattention while operating the hedge trimmer may result in serious personal injury.*
- **Carry the hedge trimmer by the handle with the blade stopped and taking care not to operate any power switch.** *Proper carrying of the hedge trimmer will decrease the risk of inadvertent starting and resultant personal injury from the blades.*
- **When transporting or storing the hedge trimmer, always fit the blade cover.** *Proper handling of the hedge trimmer will decrease the risk of personal injury from the blades.*
- **When clearing jammed material or servicing the unit, make sure all power switches are off and the battery pack is removed or disconnected.** *Unexpected actuation of the hedge trimmer while clearing jammed material or servicing may result in serious personal injury.*
- **When clearing jammed material or servicing the unit, make sure all power**

switches are off and the lock-off is in the locked position. *Unexpected actuation of the hedge trimmer while clearing jammed material or servicing may result in serious personal injury.*

- **Hold the hedge trimmer by insulated gripping surfaces only, because the blade may contact hidden wiring.** *Blades contacting a "live" wire may make exposed metal parts of the hedge trimmer "live" and could give the operator an electric shock.*
- **Keep all power cords and cables away from cutting area.** *Power cords or cables may be hidden in hedges or bushes and can be accidentally cut by the blade.*
- **Do not use the hedge trimmer in bad weather conditions, especially when there is a risk of lightning.** *This decreases the risk of being struck by lightning.*

Safety instructions for extended reach hedge trimmers

- **To reduce the risk of electrocution, never use the extended-reach hedge trimmer near any electrical power lines.** Contact with or use near power lines may cause serious injury or electric shock resulting in death.
- **Always use two hands when operating the extended-reach hedge trimmer.** Hold the extended-reach hedge trimmer with both hands to avoid loss of control.
- **Always use head protection when operating the extended-reach hedge trimmer overhead.** Falling debris can result in serious personal injury.

General safety instructions



WARNING: Read all safety warnings and all instructions.

Failure to follow the warnings and instructions may result in electric shock, fire and/or serious injury.

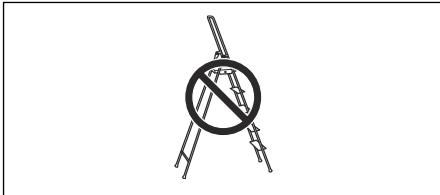
- Please read the operator's manual carefully and make sure you understand the instructions before using the attachment.
- These instructions supplement the instructions that were included with the product. For other procedures, please refer to the operating instructions for the product.

- Under no circumstances may the design of the attachment be modified without the permission of the manufacturer. Do not use an attachment that appears to have been modified by others and always use original accessories. Non-authorized modifications and/or accessories can result in serious personal injury or the death of the operator or others.

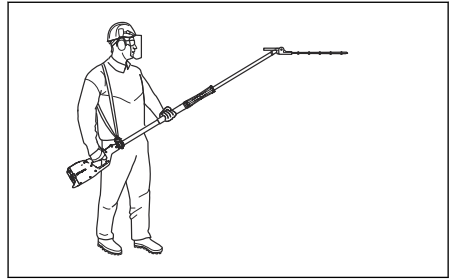
Save all warnings and instructions for future reference

Safety instructions for operation

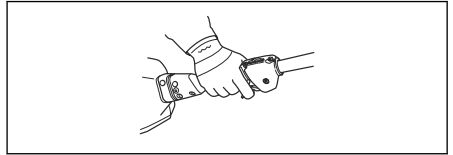
- If you encounter a situation where you are uncertain how to proceed you should ask an expert. Contact your dealer or your service workshop.
- Avoid all usage which you consider to be beyond your capability.
- Cutting tool. Do not touch the tool without first, switching off the engine/remove the battery.
- Never allow children to use the product.
- Ensure that no-one comes closer than 15 m while you are working.
- Never allow anyone else to use the product without first ensuring that they have understood the contents of the operator's manual.
- Never work from a ladder, stool or any other raised position that is not fully secured.



- Always ensure you have a safe and stable working position.
- Always use both hands to hold the product. Hold the product at the side of your body.



- Make sure that you connect the harness to the support hook. Only use a single harness.
- Use your right hand to control the throttle/power trigger .



- If an emergency occurs, let go of the product and let it fall to the ground.
- Make sure that your hands and feet do not come near the cutting attachment when the engine/motor is running.
- When the engine/motor is switched off, keep your hands and feet away from the cutting attachment until it has stopped completely.
- Watch out for stumps of branches that can be thrown out during cutting.
- Always lay the product on the ground when you are not using it.
- Do not cut too close to the ground. Stones and other objects can be thrown out.
- Check the working area for foreign objects such as electricity cables, insects and animals, etc. or other objects that could damage the cutting attachment, such as metal items.
- If any foreign object is hit or if vibrations occur, stop the product immediately. If you have a gasoline operated product, disconnect the spark plug cap from the spark plug. If you have a battery operated product, remove the battery. Check that the product is not damaged. Repair any damage.
- If anything jams in the blades while you are working, stop the product immediately. If you have a gasoline operated product, switch off the engine and disconnect the

spark plug cap from the spark plug. If you have a battery operated product, switch off the motor and remove the battery. Make sure the product has stopped completely before cleaning the blades.

Other safety information

- Avoid Dangerous Environment – Don't use appliances in damp or wet locations.
- Don't Use In Rain.
- Keep Children Away – All visitors should be kept at a distance from work area.
- Dress Properly – Do not wear loose clothing or jewelry. They can be caught in moving parts. Use of rubber gloves and substantial footwear is recommended when working outdoors. Wear protective hair covering to contain long hair.
- Use Safety Glasses – Always use face or dust mask if operation is dusty.
- Use Right Appliance – Do not use appliance for any job except that for which it is intended.
- Avoid Unintentional Starting – Don't carry plugged-in appliance with finger on switch. Be sure switch is off when plugging in.
- Don't Force Appliance – It will do the job better and with less likelihood of a risk of injury at the rate for which it was designed.
- Don't Overreach – Keep proper footing and balance at all times.
- Stay Alert – Watch what you are doing. Use common sense. Do not operate appliance when you are tired.
- Store Idle Appliances Indoors – When not in use, appliances should be stored indoors in dry, and high or locked-up place – out of reach of children.
- Maintain Appliance With Care – Keep cutting edge sharp and clean for best performance and to reduce the risk of injury. Follow instructions for lubricating and changing accessories. Keep handles dry, clean, and free from oil and grease.
- Check Damaged Parts – Before further use of the appliance, a guard or other part that is damaged should be carefully checked to determine that it will operate properly and perform its intended function. Check for alignment of moving parts, binding of moving parts, breakage of parts, mounting, and any other condition that may affect its operation. A guard or other part that is damaged should be properly repaired or

replaced by an authorized service center unless indicated elsewhere in this manual.

Personal protective equipment



WARNING: Read the warning instructions that follow before you use the product.

- Long-term exposure to noise can result in permanent hearing impairment. Always use approved hearing protection.
- Always wear protective, non-slip boots.
- Always wear helmet, eye protection, and gloves.



- Always wear working clothes and heavy-duty long trousers.
- Never wear loose clothing or jewelry.
- Make sure your hair does not hang below shoulder level.

Safety devices on the product



WARNING: Read the warning instructions that follow before you use the product.

In this section the product's safety features, its purpose and how checks and maintenance should be carried out to ensure that it operates correctly. See instructions under the heading *Introduction on page 2* to find where these parts are located on your product.

The life span of the product can be reduced and the risk of accidents can increase if product maintenance is not carried out correctly and if service and/or repairs are not carried out professionally. If you need further information please contact your nearest servicing dealer.



WARNING: Never use a product with damaged safety components. The product's safety equipment must be inspected and maintained

as described in this section. If your product fails any of these checks, contact your service agent to get it repaired.



CAUTION: All servicing and repair work on the machine requires special training. This is especially true of the machine's safety equipment. If your machine fails any of the checks described below you must contact your service agent. When you buy any of our products we guarantee the availability of professional repairs and service. If the retailer who sells your machine is not a servicing dealer, ask him for the address of your nearest service agent.

To do a check of the blades

1. Stop the product.
 - a) If you have a gasoline operated product, switch off the engine and disconnect the spark plug cap from the spark plug.
 - b) If you have a battery operated product, switch off the motor and remove the battery.
2. Make sure that the product has stopped completely.
3. Put on protective gloves.
4. Make sure that the blades are not damaged or bent. Always replace a damaged or bent blade.
5. Make sure that the screws to the blades are not too loose. If a screw is loose, tighten sufficiently.

Note: Do not tighten the screws to the blade too much. Too tight screws prevent blade movement.

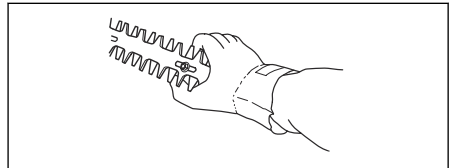
Hot surface

The gear housing gets hot when the product has been in use. Do not touch the gear housing to avoid burning yourself.

Safety instructions for maintenance

Read the warning instructions that follow before you use the product.

- Always stop the product before you work on any part of the cutting equipment. If you have a gasoline operated product, disconnect the spark plug cap from the spark plug. If you have a battery operated product, remove the battery. Check that the cutting equipment has stopped completely before you start any work on it.
- The transport guard should always be fitted to the cutting attachment when the product is not in use.
- Make sure the cutting attachment has stopped before cleaning, carrying out repairs or an inspection. If you have a gasoline operated product, disconnect the spark plug cap from the spark plug. If you have a battery operated product, remove the battery.
- Always wear heavy-duty gloves when repairing the cutting attachment. This is extremely sharp and can easily cause cuts.

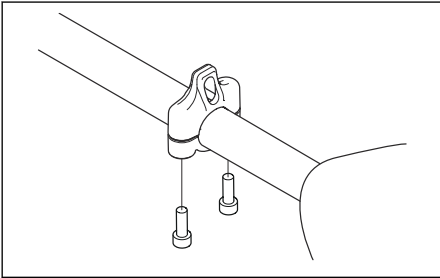


- Store the product out of reach of children.
- Use only original spare parts for repairs.

Assembly

To install the harness support hook

1. Install the harness support hook between the loop handle and the throttle handle.

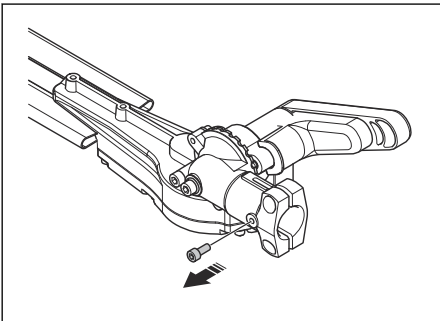


Note: Do not put the support hook on the decal.

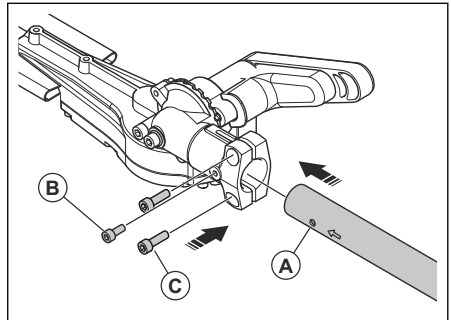
2. Tighten the 2 screws with the hex key.
3. Adjust the ring to make the product balanced, and easy to use.

To assemble the cutting head

1. Remove the set screw from the cutting head.



2. Align the arrow on the shaft to the hole on the cutting head.



3. Push the shaft into the cutting head until you see the hole (A) through the cutting head.
4. Install and tighten the set screw (B).
5. Tighten the clamp screws (C).

Operation

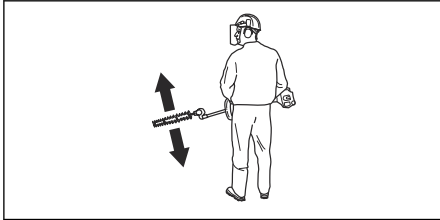
To do a check before start

1. Examine the work area. Remove any objects that could be thrown out.
2. Examine the cutting attachment. Do not use blades that are damaged.
3. Examine that the product is in perfect working order. Examine that all nuts and screws are tight.
4. Make sure the gear housing is lubricated correctly. See *To lubricate the transmission housing and gear housing on page 10* for instructions.
5. Examine that the cutting attachment stops when the throttle/power trigger is released.
6. Only use the product for the purpose it was intended for.

7. Make sure that the handle and safety features are in good working order. Never use a product that lacks a part or has been modified outside its specifications.

To operate the product

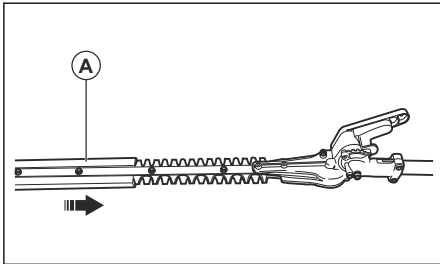
1. Work with a swinging action from the bottom upwards when trimming sides.



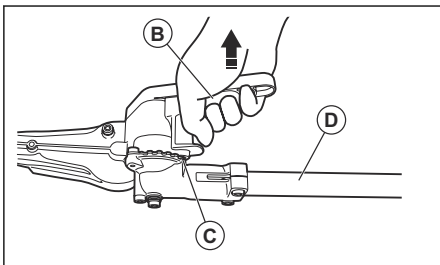
2. Adjust the throttle/speed setting to suit the load.
3. When you use a gasoline operated product to cut a hedge, make sure the engine faces away from the hedge.
4. Do not rush the work, but work steadily until all the branches have been cut back cleanly.

To change the hedge trimmer angle

1. Stop the product.
2. Put the product on the ground and install the transport guard (A) to the cutter.

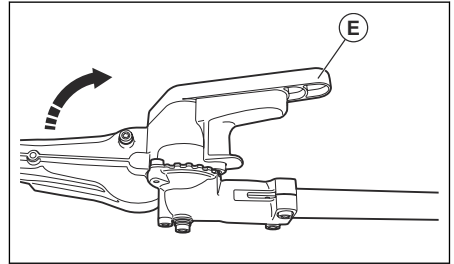


3. Move the angle adjustment lever (B) away from the attachment to remove the pin (C) from its hole.

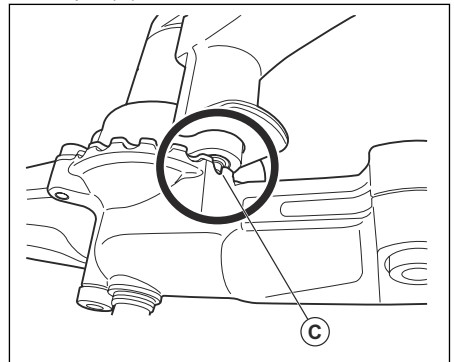


Note: If the pin does not move smoothly, move the shaft (D) back and forth a little.

4. Use the angle adjustment handle (E) to adjust the angle of the cutter.



5. Release the angle adjustment lever to lock the pin (C) in its correct hole.



Maintenance

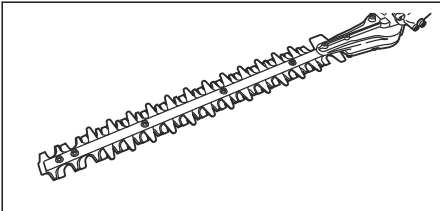
Introduction

Below you will find some general maintenance instructions. If you need further information please contact your service workshop.

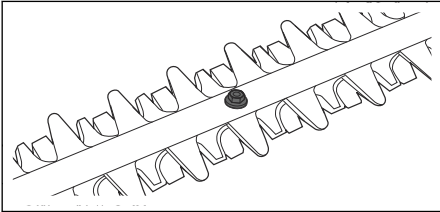
To perform maintenance on the attachment

To do daily maintenance

1. Examine that the blades do not move when the throttle/power trigger is released or when the choke is in the start position.



2. Check that the screws that hold the blades together are correctly tightened.



To perform weekly maintenance

- Fill the transmission housing and gear housing with grease. Refer to *To lubricate the transmission housing and gear housing on page 10*.

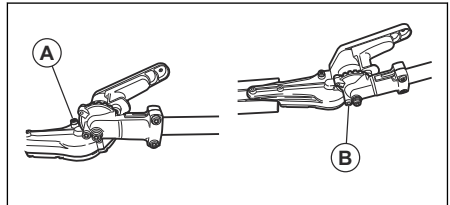
To lubricate the transmission housing and gear housing



CAUTION: The transmission housing and gear housing must not be filled completely with grease. The grease expands as the product heats up during operation. If the

transmission housing and gear housing are completely filled with grease it can damage the seals and lead to leakage of grease.

There is a grease filler opening and a plug for filling lubricant on the transmission housing (A) and on the gear housing (B).

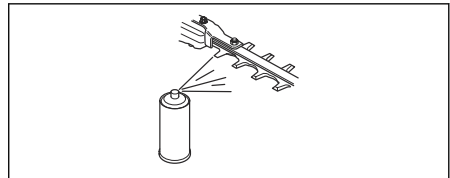


1. Remove the plugs from the grease filler openings.
2. Apply grease through the grease filler openings.
3. Install the plugs to the grease filler openings.

Note: New products are first filled with grease after approximately 20 hours of operation, and subsequently approximately every 60 hours of operation. Use NGLI Grade 2 Lithium grease. The grease in the bevel gear does not normally need to be changed except if repairs are carried out.

To clean and lubricate the cutter

1. Clean any resin and plant residue from the blades with a cleaning agent before and after the use of the product.
2. Lubricate the blade bars with spray grease before long periods of storage.



Technical data

Technical data

	HA322
Weight	
Weight, lb/kg	5.9/2.7
Blades	
Blade length, inch/mm	21.6/550

Contenido

Introducción.....	12	Funcionamiento.....	19
Seguridad.....	14	Mantenimiento.....	21
Montaje.....	19	Datos técnicos.....	22

Introducción

Descripción de la máquina

Husqvarna AB tiene una política de desarrollo continuo de productos y, por lo tanto, se reserva el derecho de modificar el diseño y el aspecto de los productos sin previo aviso.

Uso específico

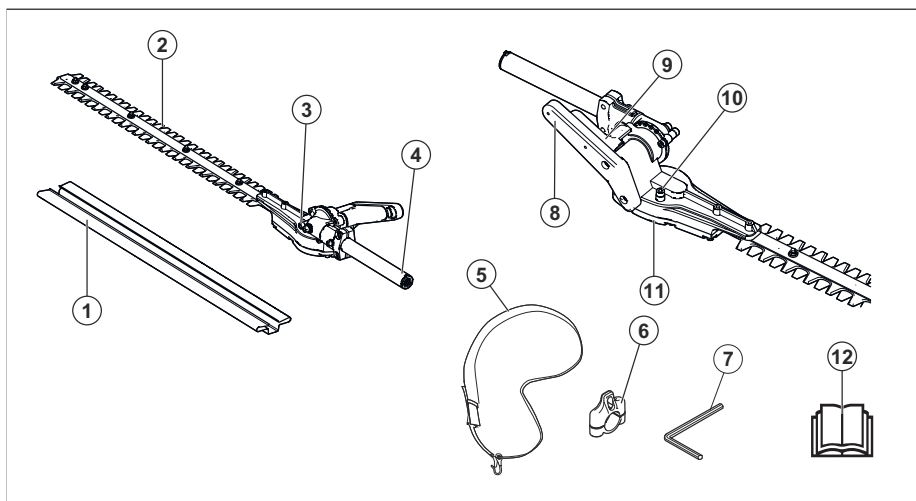
en conjunto con el producto relacionado; consulte el capítulo sobre accesorios en el manual de usuario del producto.

Este producto solo está diseñado para cortar ramas grandes y pequeñas.



ADVERTENCIA: Este accesorio solo puede utilizarse

Descripción general del accesorio para HA322



1. Protección para transporte
2. Cortadora
3. Boquilla de engrase y tapón para llenado de lubricante (caja de la transmisión)
4. Eje
5. Arnés
6. Gancho de sujeción del arnés
7. Llave hexagonal
8. Mango de ajuste del ángulo
9. Palanca de ajuste del ángulo
10. Boquilla de engrase y tapón para llenado de lubricante (caja de engranajes)

11. Caja de engranajes angulados
12. Manual de usuario

Símbolos que aparecen en el accesorio y en la unidad de alimentación



El uso incorrecto o descuidado de este producto puede ocasionar daños mortales o graves al operador u otras personas.



Lea el manual de instrucciones atentamente y asegúrese de entender las instrucciones antes de utilizar el accesorio.



Lea el manual de instrucciones atentamente y asegúrese de entender las instrucciones antes de utilizar el accesorio.



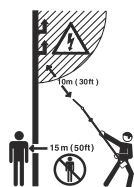
Use casco protector y protección ocular y auditiva aprobados.



PELIGRO: Mantenga las manos alejadas de la cuchilla.



PELIGRO: Mantenga las manos alejadas de la cuchilla.



PELIGRO: este producto no tiene aislamiento eléctrico. Si el producto entra en contacto o se acerca al tendido eléctrico de alta tensión, puede provocar lesiones físicas graves o letales. La electricidad puede transmitirse de un punto mediante la formación de arcos eléctricos. A mayor voltaje, mayor es la distancia a la que la electricidad puede transmitirse. La electricidad también puede transmitirse a través de ramas y otros objetos, especialmente si están húmedos. Mantenga siempre una distancia mínima de 10 m entre el producto y el tendido eléctrico de alto voltaje o de cualquier otro objeto que se encuentre en contacto. Si debe trabajar en esta distancia de seguridad, siempre debe ponerse en contacto con la central eléctrica correspondiente para asegurarse de que la electricidad esté desconectada antes de empezar a trabajar.

Mientras trabaja, el operador del producto se debe asegurar de que ninguna persona o animal se acerque a menos de 15 metros.

Tenga en cuenta: Otros símbolos o etiquetas en el equipo hacen referencia a requisitos de certificación especiales para ciertos mercados.



Mantenga todas las partes del cuerpo lejos de las superficies calientes.



Flechas que indican los límites para el posicionamiento del mango.



Use siempre guantes protectores aprobados.



Use botas antideslizantes y resistentes.

Propuesta 65 de California

!ADVERTENCIA!

Este producto contiene o emite productos químicos que pueden causar cáncer, defectos congénitos u otros daños en el sistema reproductor.

Definiciones de seguridad

Las advertencias, precauciones y notas se utilizan para señalar las piezas particularmente importantes del manual.



ADVERTENCIA: Se utilizan para señalar el riesgo de lesiones graves o mortales para el operador o para aquellos que se encuentren cerca si no se siguen las instrucciones del manual.



AVISO: Se utilizan para señalar el riesgo de dañar la máquina, otros materiales o el área adyacente si no se siguen las instrucciones del manual.

Tenga en cuenta: Se utilizan para entregar más información necesaria en situaciones particulares.

Advertencias de seguridad generales de la herramienta eléctrica



ADVERTENCIA: Lea todas las advertencias de seguridad, las instrucciones, las ilustraciones y las especificaciones que se suministran con esta herramienta eléctrica. En caso de no seguir todas las instrucciones que se entregan a continuación, se pueden producir sacudidas eléctricas, incendios o daños graves.

- **Guarde todas las advertencias e instrucciones para futuras referencias.** El término "herramienta eléctrica" que se indica en las advertencias hace referencia a la herramienta eléctrica (con cable) operada con corriente o a la herramienta eléctrica operada con baterías (inalámbrica).

Advertencias de seguridad del cortasetos:

- **Mantenga todas las partes del cuerpo lejos de la cuchilla. No retire el material cortado ni retenga el material que se cortará mientras las cuchillas se muevan.** *Las cuchillas se siguen moviendo después de apagar el interruptor. Un momento de distracción a la hora de operar un cortasetos puede generar daños personales graves.*
- **Transporte el cortasetos por el mango con la cuchilla detenida y con cuidado de no accionar ningún interruptor de encendido.** *El transporte adecuado del cortasetos reducirá el riesgo de arranque accidental y de daños personales resultantes de las cuchillas.*
- **Cuando transporte o almacene el cortasetos, coloque siempre la cubierta de la cuchilla.** *El manejo adecuado del cortasetos reducirá la posibilidad de daños personales causados por las cuchillas.*
- **Cuando extraiga material atascado o realice el mantenimiento de la unidad, asegúrese de que todos los interruptores estén apagados y de que la unidad de batería se haya retirado o esté desconectada.** *Si el cortasetos se acciona inesperadamente durante la extracción de material atascado o el mantenimiento, puede generar daños personales graves.*
- **Cuando extraiga material atascado o realice el mantenimiento en la unidad, asegúrese de que todos los interruptores estén apagados y de que el bloqueo esté en la posición de bloqueo.** *Si el cortasetos se acciona inesperadamente durante la extracción de material atascado o el mantenimiento, puede generar daños personales graves.*
- **Manipule el cortasetos solo en superficies de sujeción aisladas, ya que la cuchilla puede entrar en contacto con cableado oculto.** *Si las cuchillas entran en contacto con un cable "con corriente", puede provocar que algunas piezas metálicas expuestas del cortasetos tengan "corriente" también, lo que generaría una sacudida eléctrica al usuario.*

- **Mantenga todos los hilos y cables de alimentación alejados de la zona de corte.** *Los hilos o cables de alimentación pueden quedar ocultos en los arbustos o setos y la cuchilla los puede cortar accidentalmente.*
- **No utilice el cortasetos en condiciones meteorológicas adversas, especialmente cuando haya un pronóstico de tormentas eléctricas.** *Esto disminuye el riesgo de ser alcanzado por un rayo.*

Instrucciones de seguridad para cortasetos de alcance extendido

- **Para reducir el riesgo de electrocución, nunca utilice el cortasetos de alcance extendido cerca del tendido eléctrico.** El contacto con o cerca de las líneas de alta tensión puede provocar daños graves o sacudidas eléctricas fatales.
- **Siempre utilice ambas manos cuando opere el cortasetos de alcance extendido.** Sostenga el cortasetos de alcance extendido con ambas manos para evitar una pérdida de control.
- **Siempre utilice una protección para la cabeza y el rostro cuando opere el cortasetos de alcance extendido sobre la cabeza.** La caída de residuos puede provocar daños personales.

Instrucciones generales de seguridad



ADVERTENCIA: Lea todas las advertencias de seguridad y todas las instrucciones. En caso de no seguir las advertencias ni las instrucciones se pueden producir sacudidas eléctricas, incendios o daños graves.

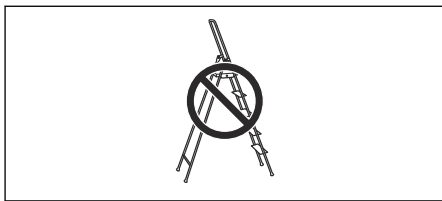
- Lea cuidadosamente el manual de usuario y asegúrese de que entiende las instrucciones antes de utilizar el accesorio.
- Estas instrucciones son un complemento de las instrucciones que se incluyen con el producto. Para otros procedimientos, consulte las instrucciones de operación del producto.
- Bajo ninguna circunstancia podrá modificar el diseño del accesorio sin el permiso del fabricante. No utilice un accesorio que parezca haber sido modificado por otras personas y utilice siempre los

accesorios originales. Las modificaciones o accesorios no autorizados pueden provocar daños personales o la muerte del operador u otras personas.

Guarde todas las advertencias e instrucciones para futuras referencias

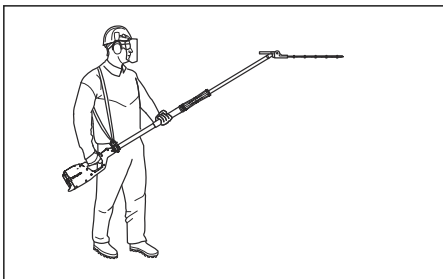
Instrucciones de seguridad para el funcionamiento

- Si se encuentra en una situación en la que no está seguro de cómo proceder, debe preguntarle a un experto. Póngase en contacto con el distribuidor o el taller de servicio.
- Evite todos los usos que considere que están más allá de su capacidad.
- Herramienta de corte. No toque la herramienta sin antes apagar el motor o quitar la batería.
- Nunca permita que los niños utilicen este producto.
- Asegúrese de que nadie se acerque a menos de 15 m mientras trabaja.
- Nunca permita que otras personas utilicen el producto sin asegurarse primero de que hayan comprendido el contenido del manual del usuario.
- No trabaje nunca desde una escalera, taburete ni ninguna otra posición elevada que no cumpla a cabalidad con las normas de seguridad.

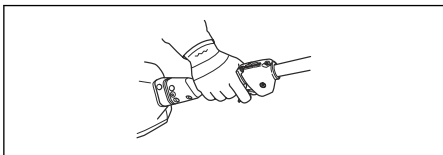


- Asegúrese siempre de tener una posición de trabajo segura y firme.

- Utilice siempre las dos manos para sostener el producto. Mantenga el producto al lado de su cuerpo.



- Asegúrese de conectar el arnés al gancho de sujeción. Utilice un solo arnés.
- Utilice la mano derecha para controlar el gatillo de aceleración/alimentación.



- Si se produce una emergencia, suelte el producto y déjelo caer en el suelo.
- Asegúrese de que las manos y los pies no se acerquen al equipo de corte cuando el motor esté en funcionamiento.
- Cuando apague el motor, mantenga las manos y los pies alejados del equipo de corte hasta que se haya detenido completamente.
- Tenga cuidado con los trozos de ramas que puedan salir eyectados durante el corte.
- Apoye siempre el producto en el suelo cuando no lo esté utilizando.
- No corte demasiado cerca del suelo. Las piedras y otros objetos pueden salir eyectados.
- Revise la zona de trabajo en búsqueda de objetos extraños como cables de electricidad, insectos y animales, etc., u otros objetos que pudieran dañar el equipo de corte, como elementos de metal.
- Si se golpea algún objeto extraño o si se producen vibraciones, detenga el producto de inmediato. Si se trata de un producto que funciona con gasolina, quite el sombrerete de bujía de la bujía. Si se trata de un producto que funciona con baterías, quite la batería. Compruebe

que el producto no esté dañado. Repare cualquier daño.

- Si se atasca algo en las cuchillas mientras está trabajando, detenga el producto de inmediato. Si se trata de un producto que funciona con gasolina, apague el motor y quite el sombrerete de bujía de la bujía. Si tiene un producto que funciona con batería, apague el motor y extraiga la batería. Asegúrese de que el producto se haya detenido por completo antes de limpiar las cuchillas.

Otra información de seguridad

- Evite las zonas peligrosas: no utilice los aparatos en lugares húmedos o mojados.
- No los utilice bajo la lluvia.
- Mantenga a los niños alejados: se debe mantener alejados a todos los visitantes de la zona de trabajo.
- Utilice la indumentaria adecuada: no use ropa suelta ni joyas. Pueden quedarse atrapadas en las piezas móviles. Se recomienda el uso de guantes de goma y calzado resistente cuando se trabaja en exteriores. Use un gorro protector para contener el pelo largo.
- Uso de antiparras: utilice siempre protección facial o máscara contra polvo si la operación genera polvo.
- Utilice el aparato de forma adecuada: no utilice el aparato para ningún trabajo que no sea el previsto.
- Evite los arranques accidentales: no transporte el aparato conectado con el dedo sobre el interruptor. Asegúrese de que el interruptor esté apagado antes de conectarlo.
- No fuerce el aparato: obtendrá mejores resultados y menos probabilidades de sufrir lesiones si lo utiliza a la velocidad para la que fue diseñado.
- No se estire demasiado: mantenga una posición y un equilibrio adecuados en todo momento.
- Manténgase alerta: observe lo que hace. Utilice el sentido común. No utilice el aparato si está cansado.
- Almacene los aparatos inactivos en espacios cerrados: cuando no se utilicen, los aparatos se deben almacenar en espacios cerrados, secos, altos o con llave, fuera del alcance de los niños.

- Manipule el aparato con cuidado: mantenga afilado y limpio el borde cortante para obtener un mejor rendimiento y reducir el riesgo de lesiones. Siga las instrucciones de lubricación y cambio de accesorios. Mantenga los mangos secos, limpios y sin grasa ni aceite.
- Revise las piezas dañadas: antes de volver a utilizar el aparato, se debe revisar minuciosamente una protección u otra pieza que presente daños para determinar si funciona correctamente y si sirve para su función prevista. Revise la alineación de las piezas móviles, las uniones de piezas móviles, la rotura de piezas, el montaje y cualquier otra condición que pueda afectar su funcionamiento. Un centro de servicio autorizado debe reparar adecuadamente o reemplazar una protección u otra pieza que presente daños, a menos que en este manual se indique otro lugar.

Equipo de protección personal



ADVERTENCIA: Lea atentamente las instrucciones de advertencia siguientes antes de usar el producto.

- La exposición prolongada al ruido puede causar la pérdida permanente de la audición. Use siempre protectores auriculares aprobados.
- Use siempre botas de protección antideslizantes.
- Utilice siempre casco, protección ocular y guantes.



- Use siempre ropa de trabajo y pantalones largos para trabajo pesado.
- Nunca use ropa suelta ni joyas.
- Asegúrese de que su cabello no esté suelto por debajo de los hombros.

Dispositivos de seguridad en el producto



ADVERTENCIA: Lea atentamente las instrucciones de advertencia siguientes antes de usar el producto.

En esta sección se describen las características de seguridad del producto y su propósito, y cómo deben llevarse a cabo las comprobaciones y el mantenimiento para asegurarse de que funciona correctamente. Consulte las instrucciones bajo el título *Introducción en la página 12* para saber dónde se encuentran estas piezas en el producto.

La vida útil del producto se puede reducir y el riesgo de accidentes puede aumentar si el mantenimiento del producto no se realiza correctamente y si el servicio o las reparaciones no se llevan a cabo de forma profesional. Si necesita más información, comuníquese con su taller de servicio más cercano.



ADVERTENCIA: No utilice nunca un producto con componentes de seguridad dañados. El equipo de seguridad del producto se debe inspeccionar y mantener tal como se describe en esta sección. Si el producto no pasa exitosamente alguna de estas comprobaciones, póngase en contacto con el taller de servicio para que lo reparen.



AVISO: Todos los trabajos de servicio y reparación de la máquina requieren una formación especial. Esto aplica especialmente al equipo de seguridad. Si la máquina no pasa exitosamente alguna de las comprobaciones indicadas a continuación, póngase en contacto con el taller de servicio. La compra de alguno de nuestros productos le garantiza la disponibilidad de mantenimiento y servicio profesionales. Si el comerciante que vende la máquina no es un concesionario de servicio, pídale la dirección del taller de servicio más cercano.

Para comprobar las cuchillas

1. Detenga la máquina.
 - a) Si se trata de un producto que funciona con gasolina, apague el motor y quite el sombrerete de bujía de la bujía.
 - b) Si tiene un producto que funciona con batería, apague el motor y extraiga la batería.
2. Asegúrese de que el producto se detenga por completo.
3. Utilice guantes protectores.
4. Asegúrese de que las cuchillas no estén dañadas o dobladas. Siempre reemplace una hoja doblada o dañada.
5. Asegúrese de que los tornillos de las cuchillas no estén demasiado sueltos. Si un tornillo está suelto, apriételo lo suficiente.

Tenga en cuenta: No apriete demasiado los tornillos a la cuchilla. Los tornillos demasiado apretados evitan el movimiento de la cuchilla.

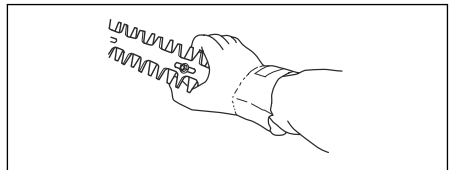
Superficie caliente

La caja de engranajes se calienta cuando se utiliza el producto. No toque la caja de engranajes para evitar quemaduras.

Instrucciones de seguridad para el mantenimiento

Lea atentamente las instrucciones de advertencia siguientes antes de usar el producto.

- Siempre detenga el producto antes de realizar alguna tarea en cualquier parte del equipo de corte. Si se trata de un producto que funciona con gasolina, quite el sombrerete de bujía de la bujía. Si se trata de un producto que funciona con baterías, quite la batería. Verifique que el equipo de corte se haya detenido completamente antes de iniciar cualquier tarea en este.
- La protección para transportes siempre debe estar instalada en el equipo de corte cuando la máquina no esté en uso.
- Asegúrese de que el equipo de corte se haya detenido antes de llevar a cabo una limpieza, reparación o inspección. Si se trata de un producto que funciona con gasolina, quite el sombrerete de bujía de la bujía. Si se trata de un producto que funciona con baterías, quite la batería.
- Siempre utilice guantes para trabajo pesado cuando repare el equipo de corte. Es muy afilado y puede provocar cortes fácilmente.

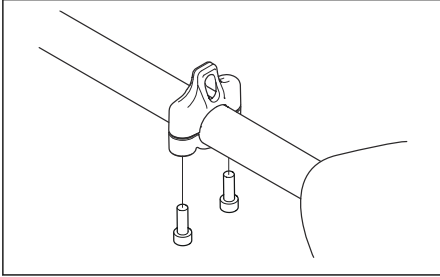


- Almacene el producto fuera del alcance de los niños.
- Utilice únicamente piezas de repuesto originales para las reparaciones.

Montaje

Para instalar el gancho de sujeción del arnés

1. Coloque el gancho de sujeción del arnés entre el mango cerrado y el mango del acelerador.

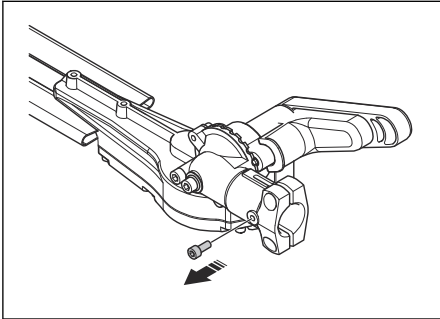


Tenga en cuenta: No coloque el gancho de sujeción en la etiqueta.

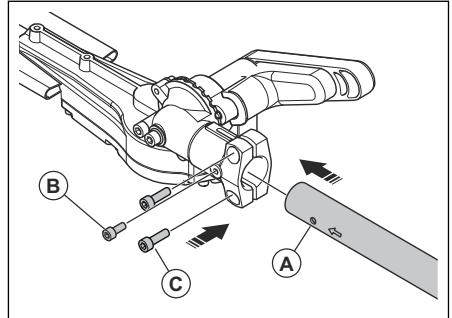
2. Apriete los dos tornillos con la llave hexagonal.
3. Ajuste el anillo para que el producto esté equilibrado y sea fácil de usar.

Para montar el cabezal de corte

1. Retire el tornillo de ajuste del cabezal de corte.



2. Alinee la flecha del eje con la flecha del cabezal de corte.



3. Empuje el eje hacia el cabezal de corte hasta que vea el orificio (A) a través del cabezal de corte.
4. Vuelva a colocar el tornillo de ajuste (B) y apriételo.
5. Apriete los tornillos de la abrazadera (C).

Funcionamiento

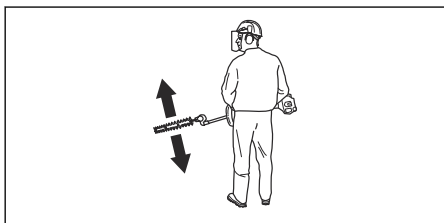
Para llevar a cabo una revisión antes de comenzar

1. Inspeccione la zona de trabajo. Retire todos los objetos que puedan salir eyectados.
2. Inspeccione el equipo de corte. No utilice cuchillas dañadas.
3. Revise que el producto se encuentre en perfectas condiciones de funcionamiento. Verifique que todas las tuercas y tornillos estén apretados.

- Asegúrese de que la caja de engranajes esté correctamente lubricada. Consulte *Para lubricar la caja de la transmisión y la caja de engranajes en la página 21* para ver las instrucciones.
- Compruebe que el equipo de corte se detenga cuando se suelte el gatillo de aceleración/alimentación.
- Utilice el producto únicamente para el uso al que está destinado.
- Asegúrese de que las funciones de seguridad y manipulación estén en buen estado de funcionamiento. No utilice nunca un producto al que le falte una pieza o que haya sido modificado respecto a las especificaciones.

Para hacer funcionar el producto

- Realice movimientos oscilatorios de abajo hacia arriba cuando corte los costados.

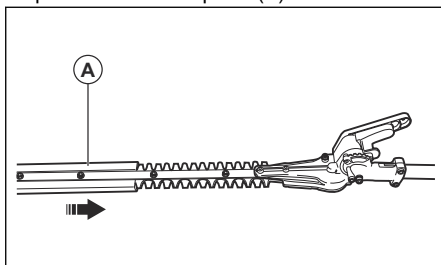


- Ajuste la configuración del acelerador o la velocidad para ajustarse a la carga.
- Cuando utilice un producto que funcione con gasolina para cortar un seto, asegúrese de que el motor esté apuntando hacia el lado contrario del seto.
- No apresure el trabajo, trabaje a un ritmo constante hasta que todas las ramas se hayan cortado con precisión.

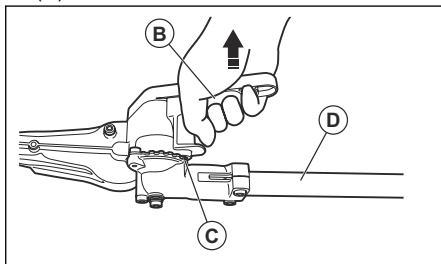
Para cambiar el ángulo del cortasetos

- Detenga la máquina.

- Coloque el producto en el suelo e instale el protector de transporte (A) en la cortadora.

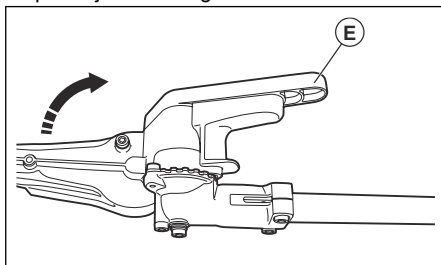


- Mueva la palanca de ajuste de ángulo (B) lejos del accesorio para quitar el pasador (C) de su orificio.

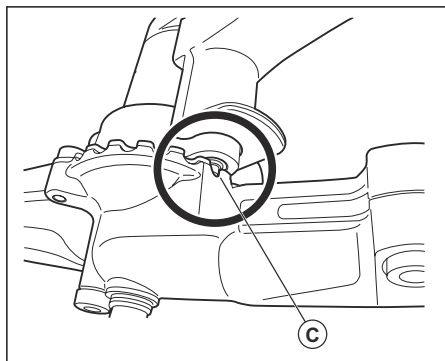


Tenga en cuenta: Si el pasador no se mueve con suavidad, mueva el eje (D) un poco hacia delante y hacia atrás.

- Utilice el mango de ajuste del ángulo (E) para ajustar el ángulo de la cortadora.



5. Suelte la palanca de ajuste de ángulo para bloquear el pasador (C) en su orificio correcto.



Mantenimiento

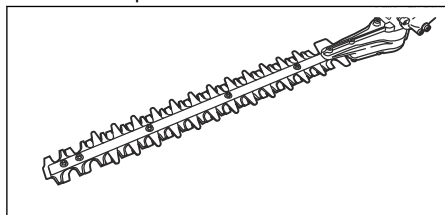
Introducción

A continuación encontrará algunas instrucciones generales de mantenimiento. Si necesita más información, comuníquese con su taller de servicio.

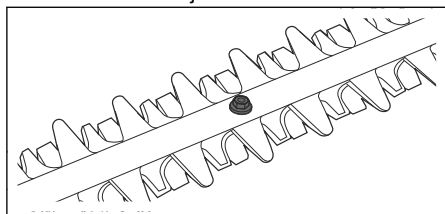
Para realizar el mantenimiento del accesorio

Para llevar a cabo un mantenimiento diario

1. Revise que las cuchillas no se muevan cuando se suelte el gatillo de aceleración/ alimentación o cuando el estrangulador esté en la posición start.



2. Compruebe que los tornillos que mantienen juntas las cuchillas estén correctamente ajustados.



Para realizar el mantenimiento semanal

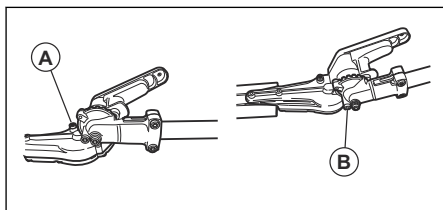
- Llene la caja de la transmisión y la caja de engranajes con grasa. Consulte *Para lubricar la caja de la transmisión y la caja de engranajes en la página 21*.

Para lubricar la caja de la transmisión y la caja de engranajes



AVISO: La caja de la transmisión y la caja de engranajes no deben llenarse completamente con grasa. La grasa se expande en la medida que el producto se calienta durante el funcionamiento. Si la caja de la transmisión y la caja de engranajes están completamente llenas con grasa, puede dañar los sellos y ocasionar fugas de grasa.

Hay una abertura del tubo de llenado de grasa y un tapón para el llenado de lubricante en la caja de la transmisión (A) y en la caja de engranajes (B).



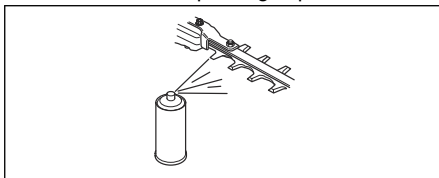
1. Quite los tapones de las aberturas del tubo de llenado de grasa.
2. Aplique grasa a través de las aberturas del tubo de llenado de grasa.
3. Instale los tapones en las aberturas del tubo de llenado de grasa.

Tenga en cuenta: Los productos nuevos se llenan primero con grasa luego de aproximadamente 20 horas de funcionamiento, y posteriormente, cada 60 horas de funcionamiento aproximadamente. Utilice grasa de litio NGLI de grado 2. Normalmente, la grasa en el engranaje angulado no

necesita cambiarse, excepto si se realizan reparaciones.

Para limpiar y lubricar la cortadora

1. Limpie los residuos de resina y las plantas de las cuchillas con un agente de limpieza antes y después de utilizar el producto.
2. Lubrique las barras de la cuchilla con grasa en aerosol antes del almacenamiento por largos períodos.



Datos técnicos

Datos técnicos

	HA322
Peso	
Peso, lb/kg	5,9/2,7
Cuchillas	
Longitud de la cuchilla, in/mm	21,6/550

Table des matières

Introduction.....	23	Fonctionnement.....	30
Sécurité.....	25	Entretien.....	31
Montage.....	29	Caractéristiques techniques.....	32

Introduction

Description du produit

Nous avons une politique de développement continu et nous réservons donc le droit de modifier la conception et l'apparence des produits sans préavis.

Utilisation prévue

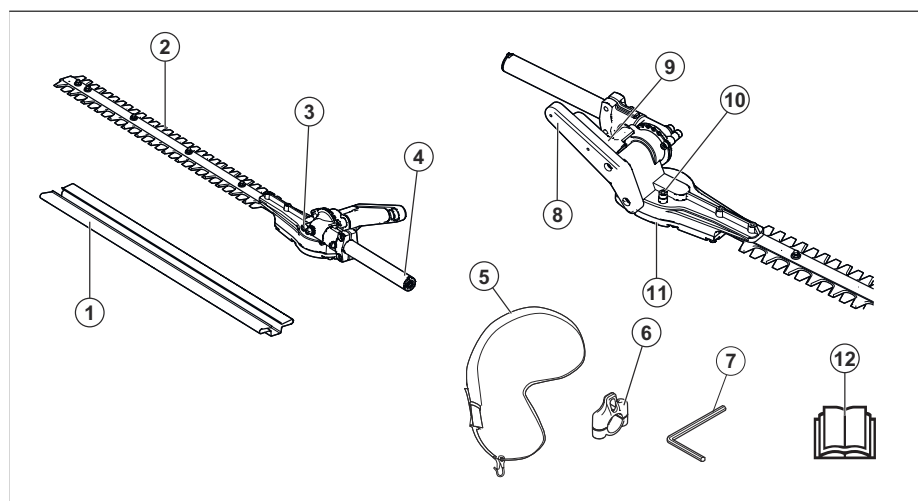
le produit pour lequel il est prévu. Consultez le chapitre sur les accessoires dans le manuel d'utilisation du produit.

Le produit est conçu pour tailler des branches uniquement.



AVERTISSEMENT : Cet outil peut être utilisé seulement avec

Vue d'ensemble des accessoires pour HA322



1. Dispositif de protection pour le transport
2. Outil de coupe
3. Raccord de graissage et bouchon pour le remplissage du lubrifiant (carter de la transmission)
4. Arbre
5. Harnais
6. Crochet de support du harnais
7. Clé hexagonale
8. Poignée de réglage de l'angle
9. Levier de réglage de l'angle

10. Raccord de graissage et bouchon pour le remplissage du lubrifiant (carter de l'engrenage)
11. Carter de renvoi d'angle
12. Manuel d'utilisation

Symboles sur l'accessoire et sur l'unité motrice



Si ce produit est utilisé de manière insouciante ou non appropriée, cela pourrait causer des blessures graves voire mortelles pour

l'utilisateur ou pour d'autres personnes.



Lire attentivement le manuel d'utilisation et veiller à bien comprendre les directives avant d'utiliser l'accessoire.



Lire attentivement le manuel d'utilisation et veiller à bien comprendre les directives avant d'utiliser l'accessoire.



Porter un casque de protection, un dispositif de protection pour les oreilles et des lunettes de protection homologués.



DANGER – Tenir les mains éloignées de la lame.



DANGER – Tenir les mains éloignées de la lame.



Tenir toute partie du corps à l'écart des surfaces chaudes.



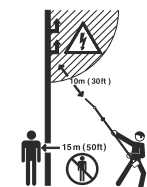
Flèches indiquant les limites de positionnement du guidon.



Toujours porter des gants de protection homologués.



Porter des bottes antidérapantes robustes.



DANGER – Ce produit n'est pas isolé électriquement. Si le produit touche des lignes à haute tension ou est utilisé à proximité de celles-ci, cela pourrait entraîner la mort ou des blessures graves. L'électricité peut être transmise d'un point à un autre par le phénomène d'arc électrique. Plus la tension est élevée, plus l'électricité est transmise sur une plus longue distance. L'électricité peut également être transmise à travers des branches et d'autres objets, particulièrement s'ils sont mouillés. Toujours conserver une distance d'au moins 10 m entre le produit et les lignes de haute tension ou tout objet en contact avec celles-ci. S'il est nécessaire de travailler dans cette distance de sécurité, toujours communiquer avec la compagnie d'électricité pertinente pour s'assurer que les lignes sont mises hors tension avant de commencer les travaux.

L'utilisateur de l'outil doit s'assurer, pendant le fonctionnement, qu'il n'y a pas de personnes ou d'animaux à moins de 15 mètres.

Remarque : Les autres symboles et autocollants apposés sur l'outil se rapportent aux exigences en matière de certification pour certains marchés.

Proposition 65 de la Californie

! ATTENTION!

Ce produit contient ou émet un produit chimique qui, d'après l'État de Californie, peuvent causer le cancer, des malformations congénitales ou autre danger pour la reproduction.

Définitions relatives à la sécurité

Les avertissements, recommandations et remarques soulignent des points du manuel qui revêtent une importance particulière.



AVERTISSEMENT : Indique la présence d'un risque de blessure ou de décès de l'utilisateur ou de personnes à proximité si les instructions du manuel ne sont pas suivies.



MISE EN GARDE : Indique la présence d'un risque de dommages au produit, à d'autres appareils ou à la zone adjacente si les instructions du manuel ne sont pas suivies.

Remarque : Utilisé pour donner des renseignements plus détaillés qui sont nécessaires dans une situation donnée.

Consignes générales de sécurité relatives aux outils électriques



AVERTISSEMENT : Consulter l'ensemble des avertissements relatifs à la sécurité, des instructions, des illustrations et des spécifications transmis avec cet outil électrique. Le non-respect des instructions indiquées ci-dessous peut provoquer une décharge, un incendie ou des blessures graves.

- **Conserver ces instructions et consignes pour consultation ultérieure.** Dans les avertissements, le terme « outil électrique » fait référence à votre appareil électrique branché sur le secteur ou alimenté par batterie (sans fil).

Avertissements de sécurité relatifs au taille-haies

- **Tenir les lames éloignées de toute partie du corps. Ne pas retirer de matériel coupé ni tenir le matériel à couper quand les lames tournent.** *Les lames*

continuent à se déplacer après l'arrêt de l'interrupteur. Tout moment d'inattention pendant l'utilisation du taille-haie peut causer de graves blessures.

- **Transporter le taille-haie par la poignée avec la lame à l'arrêt et en prenant soin de ne pas actionner un interrupteur d'alimentation.** *Le transport approprié du taille-haie réduit le risque de démarrage par inadvertance et de blessures causées par les lames.*
- **Toujours s'assurer que le couvre-lame est installé pour le transport ou le remisage.** *Manipuler le taille-haie avec soin permet de réduire le risque de blessures causées par les lames.*
- **Lors du dégagement de matières coincées ou de l'entretien de l'unité, s'assurer que tous les interrupteurs d'alimentation sont éteints et que le bloc de batteries est débranché.** *L'actionnement accidentel du taille-haie lors du dégagement de matières coincées ou de l'entretien de l'outil peut entraîner des blessures très graves.*
- **Lors du dégagement de matières coincées ou de l'entretien de l'unité, s'assurer que tous les interrupteurs d'alimentation sont éteints et que le dispositif de verrouillage est en position verrouillée.** *L'actionnement accidentel du taille-haie lors du dégagement de matières coincées ou de l'entretien de l'outil peut entraîner des blessures très graves.*
- **Tenir le taille-haie uniquement par les endroits isolés prévus pour la prise de l'outil, car la lame pourrait entrer en contact avec un câble dissimulé.** *Si les lames entrent en contact avec un fil sous tension, les parties métalliques non isolées du taille-haie pourraient agir comme conducteur et électrocuter l'utilisateur.*
- **Maintenir tous les câbles et cordons d'alimentation à l'écart de la zone de coupe.** *Les broussailles et buissons pourraient dissimuler des câbles ou cordons d'alimentation qui pourraient alors être accidentellement sectionnés par la lame.*
- **Ne pas utiliser le taille-haie lorsque les conditions météorologiques sont mauvaises, en particulier s'il y a risque**

d'éclairs. *pour ne pas courir le risque d'être foudroyé.*

Consignes de sécurité pour taille-haie à portée étendue

- Afin de réduire les risques d'électrocution, ne jamais utiliser le taille-haie à portée étendue près d'une ligne électrique. Si l'outil est utilisé près d'une ligne électrique ou qu'il entre en contact avec celle-ci, cela pourrait causer de graves blessures ou une électrocution pouvant entraîner la mort.
- Toujours utiliser les deux mains pour manipuler le taille-haie à portée étendue. Tenir le taille-haie avec les deux mains pour éviter d'en perdre le contrôle.
- Porter un casque en tout temps lorsque vous utilisez le taille-haie à un niveau supérieur à celui de votre tête. La chute de débris peut causer de graves blessures.

Consignes générales de sécurité



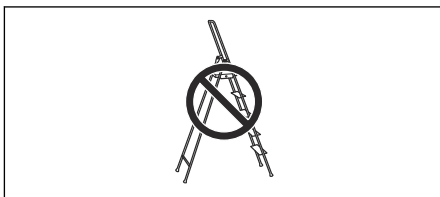
AVERTISSEMENT : Lire toutes les instructions et consignes de sécurité. Le non-respect de ces instructions et consignes peut provoquer une électrocution, un incendie et des blessures graves.

- Lire attentivement le manuel d'utilisation et s'assurer de bien comprendre les instructions avant d'utiliser l'accessoire.
- Ces instructions complètent les instructions fournies avec le produit. Pour d'autres procédures, se reporter aux instructions d'utilisation du produit.
- La conception de l'outil ne peut en aucun cas être modifiée sans l'autorisation du fabricant. Ne pas utiliser un outil qui semble avoir été modifié par d'autres, et toujours utiliser des accessoires d'origine. Les modifications et les accessoires non autorisés peuvent engendrer des blessures graves ou la mort de l'utilisateur ou d'autres personnes.

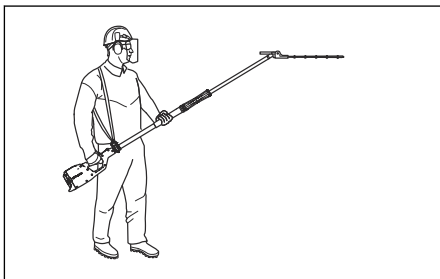
Conserver ces instructions et avertissements pour consultation ultérieure.

Instructions de sécurité pour l'utilisation

- Il est recommandé de consulter un expert en cas de doute. Communiquer avec votre concessionnaire ou votre atelier d'entretien.
- Éviter toutes les utilisations qui vous semblent difficiles.
- Outil de coupe. Ne pas toucher l'outil sans avoir préalablement éteint le moteur ou retiré la batterie.
- Ne jamais laisser un enfant utiliser le produit.
- S'assurer que personne ne s'approche à moins de 15 m pendant le travail.
- Ne jamais laisser des gens utiliser le produit sans d'abord s'assurer qu'ils ont compris le contenu du manuel de l'opérateur.
- Ne jamais travailler debout sur une échelle, un tabouret, ou dans une autre position élevée n'offrant pas une sécurité maximale.

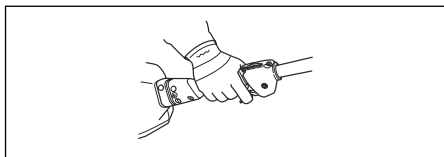


- Toujours s'assurer d'être dans une position de travail sécuritaire et stable.
- Toujours tenir le produit à deux mains. Tenir l'outil sur le côté du corps.



- S'assurer de fixer le harnais au crochet de suspension. Utiliser uniquement un harnais simple.

- Utiliser la main droite pour commander l'accélérateur ou la gâchette de puissance.



- En cas d'urgence, lâcher le produit et le laisser tomber au sol.
- Lorsque le moteur tourne, garder les mains et les pieds à l'écart de l'équipement de coupe.
- Lorsque le moteur est coupé, garder les mains et les pieds à l'écart de l'équipement de coupe jusqu'à ce qu'il soit complètement arrêté.
- Faire attention aux branches pouvant être projetées durant la coupe.
- Toujours placer le produit sur le sol quand il n'est pas utilisé.
- Ne pas couper trop près du sol. Des pierres et d'autres objets peuvent être projetés.
- Vérifier l'aire de travail à la recherche d'obstacles comme des câbles électriques, des insectes et des animaux, etc. ou de tout autre objet susceptible d'endommager l'accessoire de coupe comme un objet en métal.
- Si le produit touche un objet étranger quelconque ou produit des vibrations, l'arrêter immédiatement. Si le produit fonctionne à l'essence, débrancher le chapeau de bougie de la bougie. Si le produit fonctionne à batterie, retirer la batterie. S'assurer que le produit n'a pas subi de dommages. Réparez tout dommage.
- Si un bourrage se produit dans les lames au cours du travail, arrêter immédiatement le produit. Si le produit fonctionne à l'essence, éteindre le moteur et débrancher le chapeau de bougie de la bougie. Si un produit fonctionnant avec une batterie est utilisé, éteindre le moteur et retirer la batterie. S'assurer que le produit s'est complètement arrêté avant de nettoyer les lames.

Autres renseignements relatifs à la sécurité

- Éviter les environnements dangereux – ne pas utiliser d'appareils dans des endroits humides ou mouillés.
- Ne pas utiliser sous la pluie.
- Tenir à l'écart des enfants : tous les visiteurs doivent être tenus à bonne distance de la zone de travail.
- S'habiller convenablement – ne jamais porter de vêtements amples ou de bijoux. Ils peuvent se coincer dans les pièces mobiles. Il est recommandé de porter des gants en caoutchouc et des chaussures robustes pour travailler à l'extérieur. Le cas échéant, portez un couvre-chef pour couvrir les cheveux longs.
- Porter des lunettes de sécurité – toujours porter un masque à poussière en cas d'utilisation de l'appareil en milieu poussiéreux.
- Utiliser le bon appareil – ne pas utiliser un appareil pour une autre tâche que celle à laquelle il est destiné.
- Prévenir les démarrages accidentels – ne pas laisser le doigt sur la gâchette d'un appareil branché lors de son transport. S'assurer que l'interrupteur est en position d'arrêt lors du branchement.
- Ne pas forcer l'appareil – il offre de meilleurs résultats et le travail est effectué de façon plus sécuritaire s'il tourne au régime pour lequel il a été conçu.
- Ne pas se pencher trop en avant – garder l'équilibre et un bon appui au sol en tout temps.
- Rester vigilant – être conscient de ce que l'on fait. Faire preuve de bon sens Ne pas faire fonctionner l'appareil lorsqu'on est fatigué.
- Ranger les appareils inutilisés à l'intérieur – lorsqu'ils ne sont pas utilisés, les appareils doivent être rangés à l'intérieur, dans un endroit sec et en hauteur ou verrouillé, hors de portée des enfants.
- Entretien l'appareil avec soin – garder l'arête de coupe bien affûtée et propre pour obtenir des performances optimales et réduire les risques de blessures. Respecter les instructions concernant la lubrification et le changement des

accessoires. Garder les poignées sèches, propres et exemptes d'huile et de graisse.

- Vérifier les pièces endommagées – avant toute utilisation de l'appareil, il convient de vérifier soigneusement qu'une protection ou toute autre pièce endommagée fonctionne correctement et remplit sa fonction prévue. Vérifier l'alignement des pièces mobiles, le grippage des pièces mobiles, la rupture de pièces, le montage et tout autre état susceptible de nuire à son fonctionnement. Une protection ou toute autre pièce endommagée doit être réparée ou remplacée adéquatement par un centre d'entretien autorisé, sauf indication contraire dans ce manuel.

Équipement de protection personnelle



AVERTISSEMENT : Lire les messages d'avertissement qui suivent avant d'utiliser le produit.

- L'exposition prolongée au bruit peut causer des lésions auditives permanentes. Toujours utiliser un dispositif de protection homologué pour les oreilles.
- Porter toujours des bottes de protection antidérapantes.
- Porter toujours un casque, des lunettes de protection et des gants.



- Porter toujours des vêtements de travail et des longs pantalons robustes.
- Ne jamais porter des vêtements amples ni des bijoux.
- S'assurer que les cheveux ne pendent pas sous le niveau des épaules.

Dispositifs de sécurité sur l'outil



AVERTISSEMENT : Lire les messages d'avertissement qui suivent avant d'utiliser l'appareil.

Cette section décrit l'équipement de sécurité du produit, son but et la façon d'en effectuer les inspections et l'entretien afin de s'assurer qu'il fonctionne correctement. Consulter les instructions sous la rubrique *Introduction à la page 23* pour trouver où ces pièces se trouvent sur votre produit.

La durée de vie du produit peut être réduite et le risque d'accident peut augmenter si l'entretien de la machine n'est pas effectué correctement et si l'entretien ou les réparations ne sont pas effectués de façon professionnelle. Pour obtenir de plus amples informations, veuillez communiquer avec votre concessionnaire le plus proche.



AVERTISSEMENT : Ne jamais utiliser un produit dont les composants de sécurité sont endommagés. L'équipement de sécurité du produit doit être inspecté et entretenu selon les directives de la présente section. Si une inspection de la machine détecte une panne, communiquer avec un atelier spécialisé pour réparation.



MISE EN GARDE : Tous les travaux de réparation nécessitent une formation spéciale. Ceci concerne particulièrement l'équipement de sécurité de la machine. Si les contrôles suivants ne donnent pas un résultat positif, vous devez communiquer avec un atelier spécialisé. L'achat de l'un de nos produits offre à l'acheteur la garantie d'un service et de réparations qualifiés. Si le détaillant qui vous a vendu la machine n'est pas un centre de service agréé, demandez-lui l'adresse de l'atelier spécialisé le plus proche.

Pour vérifier les lames

1. Éteindre le produit.
 - a) Si le produit fonctionne à l'essence, éteindre le moteur et débrancher le chapeau de bougie de la bougie.
 - b) Si un produit fonctionnant avec une batterie est utilisé, éteindre le moteur et retirer la batterie.

2. S'assurer que l'équipement s'est complètement arrêté.
3. Enfiler des gants de protection.
4. S'assurer que les lames ne sont ni endommagées ni pliées. Toujours remplacer une lame endommagée ou tordue.
5. S'assurer que les vis des lames sont bien serrées. Si une vis est desserrée, serrer suffisamment.

Remarque : Ne pas trop serrer les vis de la lame. Les vis trop serrées empêchent la lame de bouger.

Surface chaude

Le carter devient chaud après l'utilisation du produit. Ne pas toucher le carter d'engrenage afin d'éviter les brûlures.

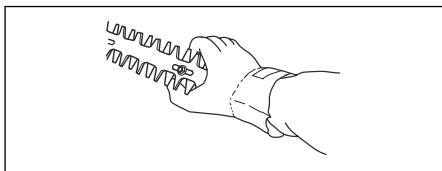
Consignes de sécurité pour la maintenance

Lire les messages d'avertissement qui suivent avant d'utiliser l'outil.

- Toujours éteindre le produit avant tout travail sur une quelconque partie de l'équipement de coupe. Si le produit fonctionne à l'essence, débrancher le chapeau de bougie de la bougie. Si le

produit fonctionne à batterie, retirer la batterie. Avant de commencer tout travail sur l'équipement de coupe, vérifier qu'il est complètement arrêté.

- Toujours installer la protection de transport sur l'accessoire de coupe lorsque le produit n'est pas en cours d'utilisation.
- S'assurer que l'accessoire de coupe s'est immobilisé avant de commencer les travaux de nettoyage, de réparation ou d'inspection. Si le produit fonctionne à l'essence, débrancher le chapeau de bougie de la bougie. Si le produit fonctionne à batterie, retirer la batterie.
- Toujours porter des gants très résistants lors de la réparation de l'accessoire de coupe. Ce dernier est extrêmement tranchant et peut facilement causer une coupure.

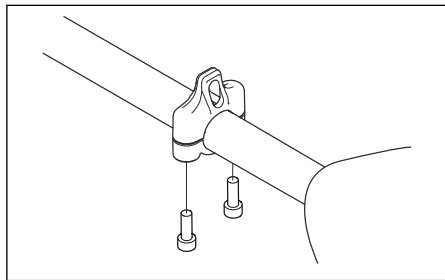


- Entrez le produit hors de portée des enfants.
- N'utilisez que des pièces de rechange d'origine pour les réparations.

Montage

Installation du crochet de support du harnais

1. Installer le crochet de support du harnais entre la poignée en boucle et la poignée d'accélération.

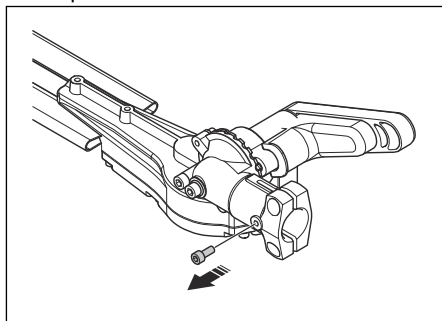


Remarque : Ne pas placer le crochet de support sur l'autocollant.

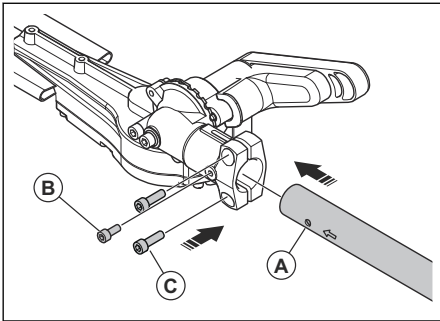
2. Serrer les 2 vis à l'aide de la clé hexagonale.
3. Ajuster l'anneau pour équilibrer le produit et en faciliter l'utilisation.

Pour assembler la tête de coupe

1. Retirer la vis de réglage de la tête de coupe.



- Aligner la flèche de l'arbre avec le trou de la tête de coupe.



- Pousser l'arbre dans la tête de coupe jusqu'à ce que le trou (A) soit visible à travers la tête de coupe.
- Installer et serrer la vis de réglage (B).
- Serrer les vis de serrage (C).

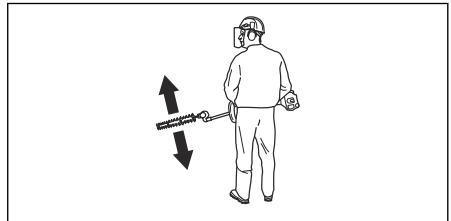
Fonctionnement

Pour effectuer une vérification avant le démarrage

- Vérifier la zone de travail. Retirer tout objet susceptible d'être projeté.
- Vérifier l'outil de coupe. Ne pas utiliser de lames endommagées.
- Vérifier que le produit est en parfait état de marche. Vérifier le serrage de l'ensemble des écrous et des vis.
- S'assurer que le carter d'engrenage est correctement lubrifié. Voir *Pour lubrifier le carter de transmission et le carter d'engrenage à la page 32* pour obtenir des instructions.
- Vérifier que l'accessoire de coupe s'arrête lorsque la gâchette de puissance ou l'accélérateur sont relâchés.
- Utiliser ce produit seulement pour les travaux auxquels il est destiné.
- Assurez-vous que la poignée et que les fonctions de sécurité sont en bon état d'utilisation. N'utilisez jamais un produit dont une pièce est manquante ou ayant été modifié contrairement aux spécifications.

Utilisation du produit

- Travailler en effectuant des mouvements de balancier de bas en haut, lors de la coupe des côtés de la haie.

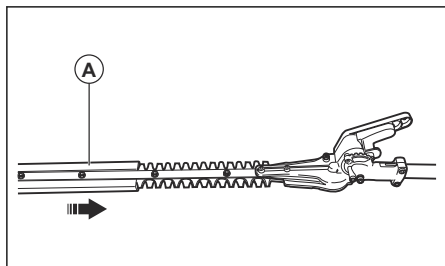


- Modifier le réglage de l'accélérateur ou du régime en fonction de la charge.
- Lorsqu'un produit à essence est utilisé pour couper une haie, s'assurer que le moteur est orienté à l'écart de la haie.
- Ne jamais travailler de façon excessive, mais adopter un rythme de travail régulier jusqu'à ce que toutes les branches soient coupées de façon propre.

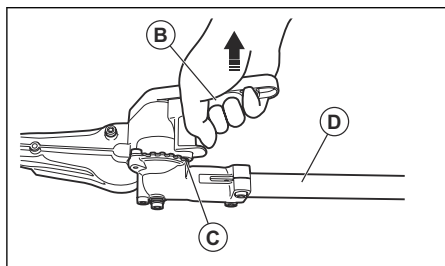
Modifier l'angle du taille-haie

- Éteindre le produit.

- Placer le produit sur le sol et installer le dispositif de protection pour le transport (A) sur le ciseau.

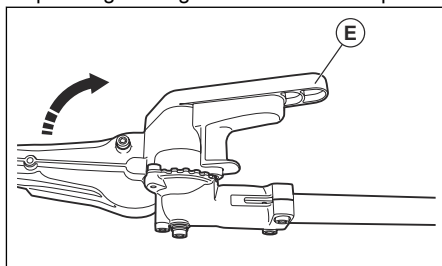


- Éloigner le levier de réglage de l'angle (B) de l'accessoire pour retirer la goupille (C) de son trou.

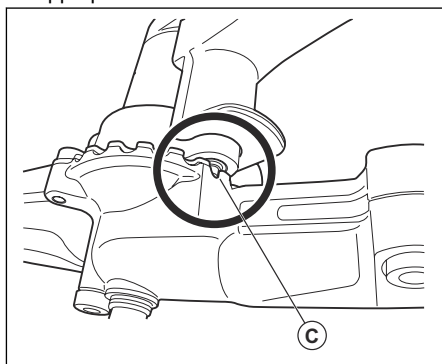


Remarque : Si la goupille ne se déplace pas en douceur, déplacer légèrement l'arbre (D) d'avant en arrière.

- Utiliser la poignée de réglage de l'angle (E) pour régler l'angle de la lame de coupe.



- Relâcher le levier de réglage de l'angle pour verrouiller la goupille (C) dans le trou approprié.



Entretien

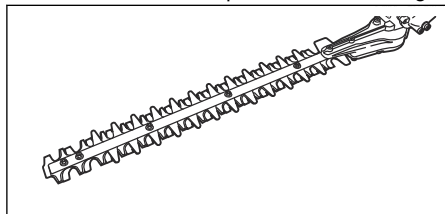
Introduction

Vous trouverez ci-dessous quelques instructions d'entretien général. Pour obtenir des renseignements supplémentaires, communiquez avec votre atelier d'entretien.

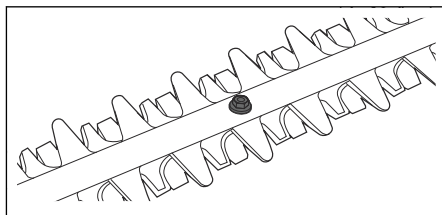
Entretien de l'outil

Pour effectuer l'entretien quotidien

- S'assurer que les lames ne bougent pas lorsque la gâchette de puissance ou l'accélérateur sont relâchés ou lorsque le starter se trouve en position de démarrage.



- S'assurer que les vis qui maintiennent les lames ensemble sont correctement serrées.



Pour effectuer l'entretien hebdomadaire

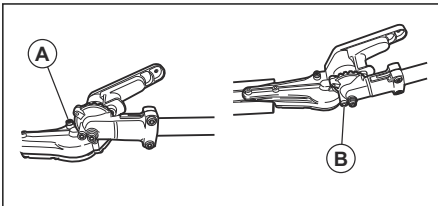
- Remplir de graisse le carter de transmission et le carter d'engrenage. Se reporter à *Pour lubrifier le carter de transmission et le carter d'engrenage à la page 32.*

Pour lubrifier le carter de transmission et le carter d'engrenage



MISE EN GARDE : Le carter de transmission et le carter d'engrenage ne doivent pas être entièrement remplis de graisse. La graisse se dilate au fur et à mesure que la chaleur se dégage lors de l'utilisation du produit. Si le carter de transmission et le carter d'engrenage sont entièrement remplis de graisse, cela peut endommager les joints et provoquer des fuites de graisse.

Il y a une ouverture de remplissage de graisse et un bouchon pour le remplissage du lubrifiant sur le carter de transmission (A) et sur le carter d'engrenage (B).



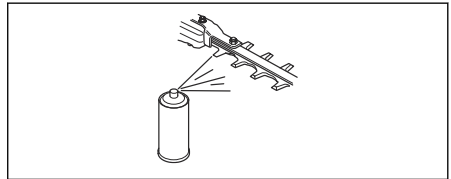
1. Retirer les bouchons des ouvertures de remplissage de graisse.

2. Appliquer de la graisse dans les ouvertures de remplissage de graisse.
3. Installer les bouchons sur les ouvertures de remplissage de graisse.

Remarque : Les produits neufs sont remplis de graisse la première fois après environ 20 heures d'utilisation, puis environ toutes les 60 heures d'utilisation par la suite. Utiliser de la graisse au lithium NGLI de grade 2. Il n'est pas nécessaire normalement de remplacer la graisse du pignon conique à moins que des réparations soient effectuées.

Pour nettoyer et lubrifier l'outil de coupe

1. Nettoyer les lames de tout dépôt résineux ou végétal à l'aide d'un agent de nettoyage avant et après avoir utilisé le produit.
2. Avant de remiser le produit pendant une période prolongée, lubrifier les barres de lame avec une graisse pulvérisée.



Caractéristiques techniques

Caractéristiques techniques

	HA322
Poids	
Poids, lb/kg	5,9/2,7
Barre de coupe	
Longueur de lame, po/mm	21,6/550



1143736-49 Rev. 1



2023-11-06