

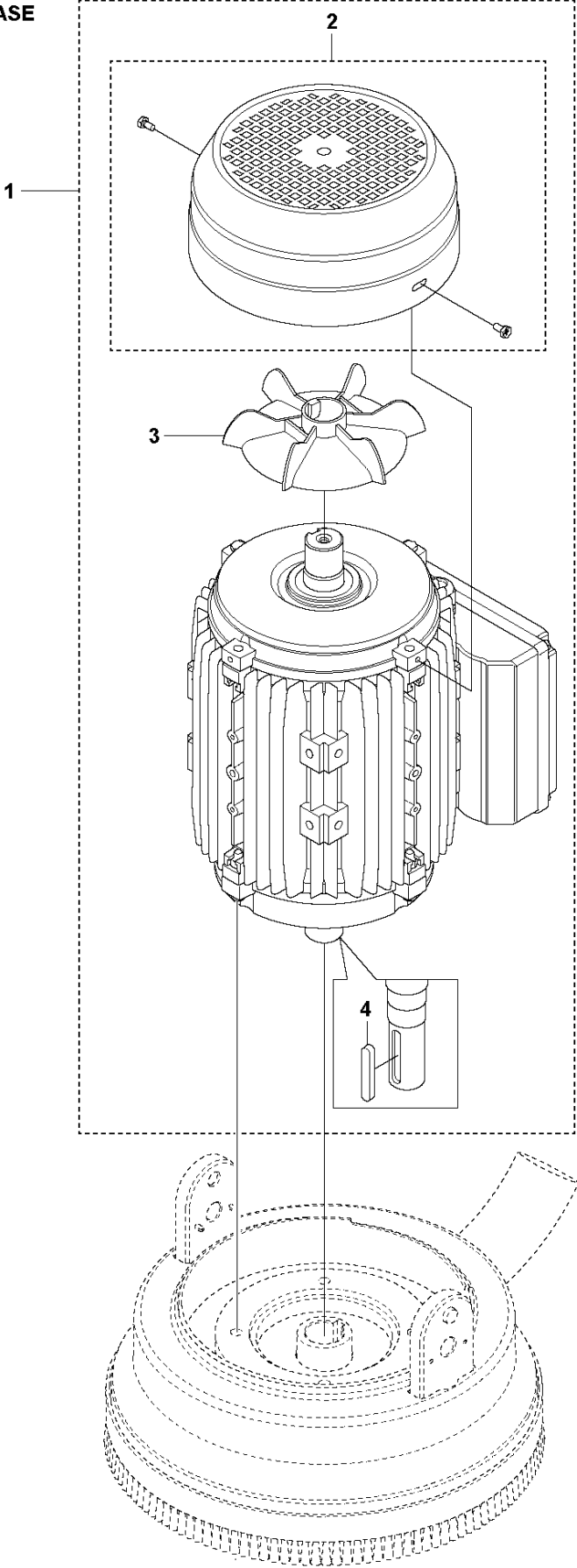


SPARE PARTS LIST

SURFACE PREPARATION EQUIPMENT

PG 280 S, 967947501, 967947502,
967947503, 2019-04

A PG 280 S
MOTOR 1-PHASE

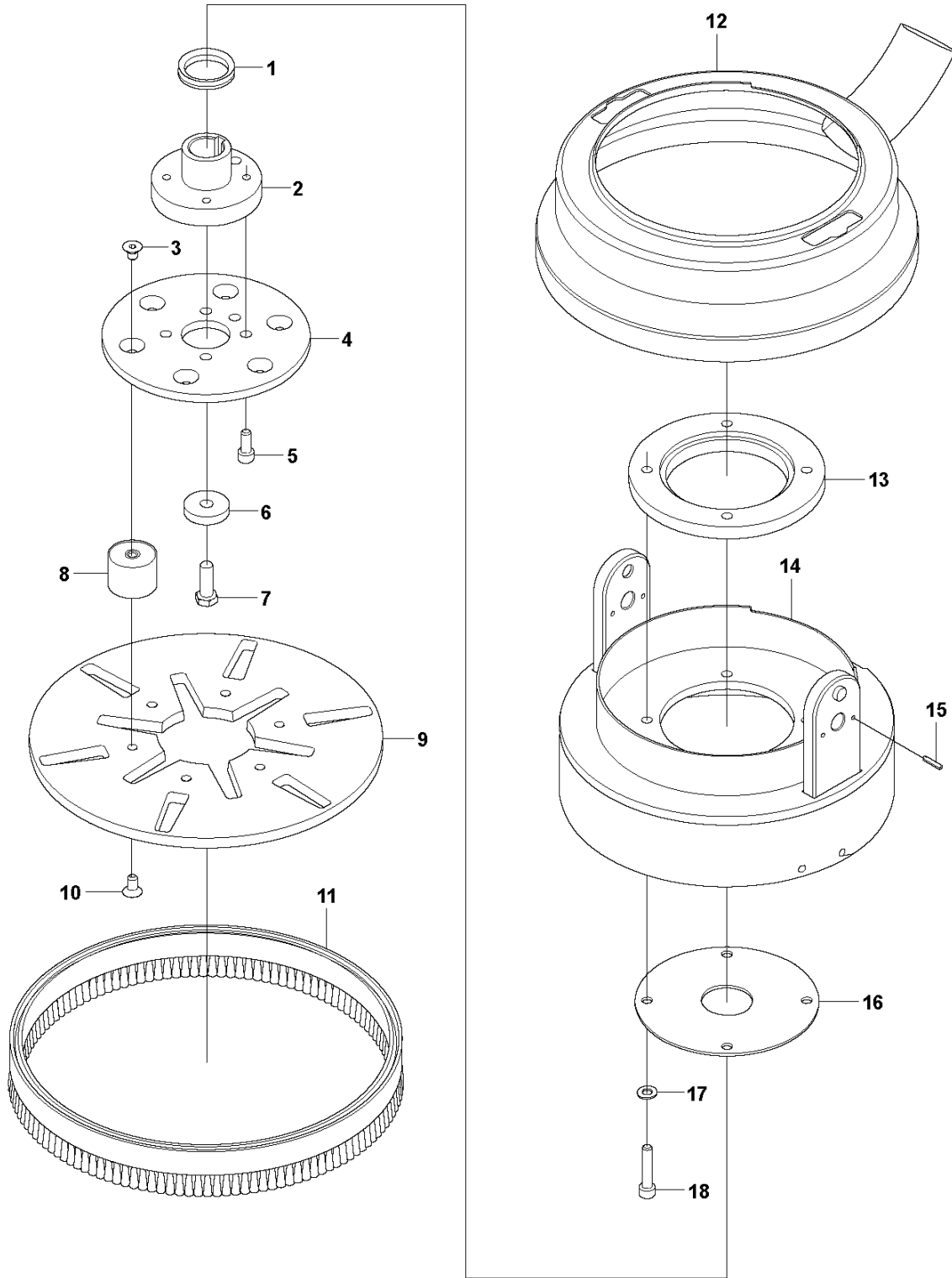


MOTOR 1-PHASE

PG 280 S, 967947501, 967947502, 967947503, 2019-04

Ref	Part No	Description	Remark	QTY KIT	
1	595 51 66-01	MOTOR ASSY	220V, 50Hz	1	
1	595 51 66-02	MOTOR ASSY	220V, 60Hz	1	
2	597 68 90-01	MOTOR		1	1
3	597 68 90-02	MOTOR	incl. Circlip	1	1
4	597 68 90-03	MOTOR		1	1

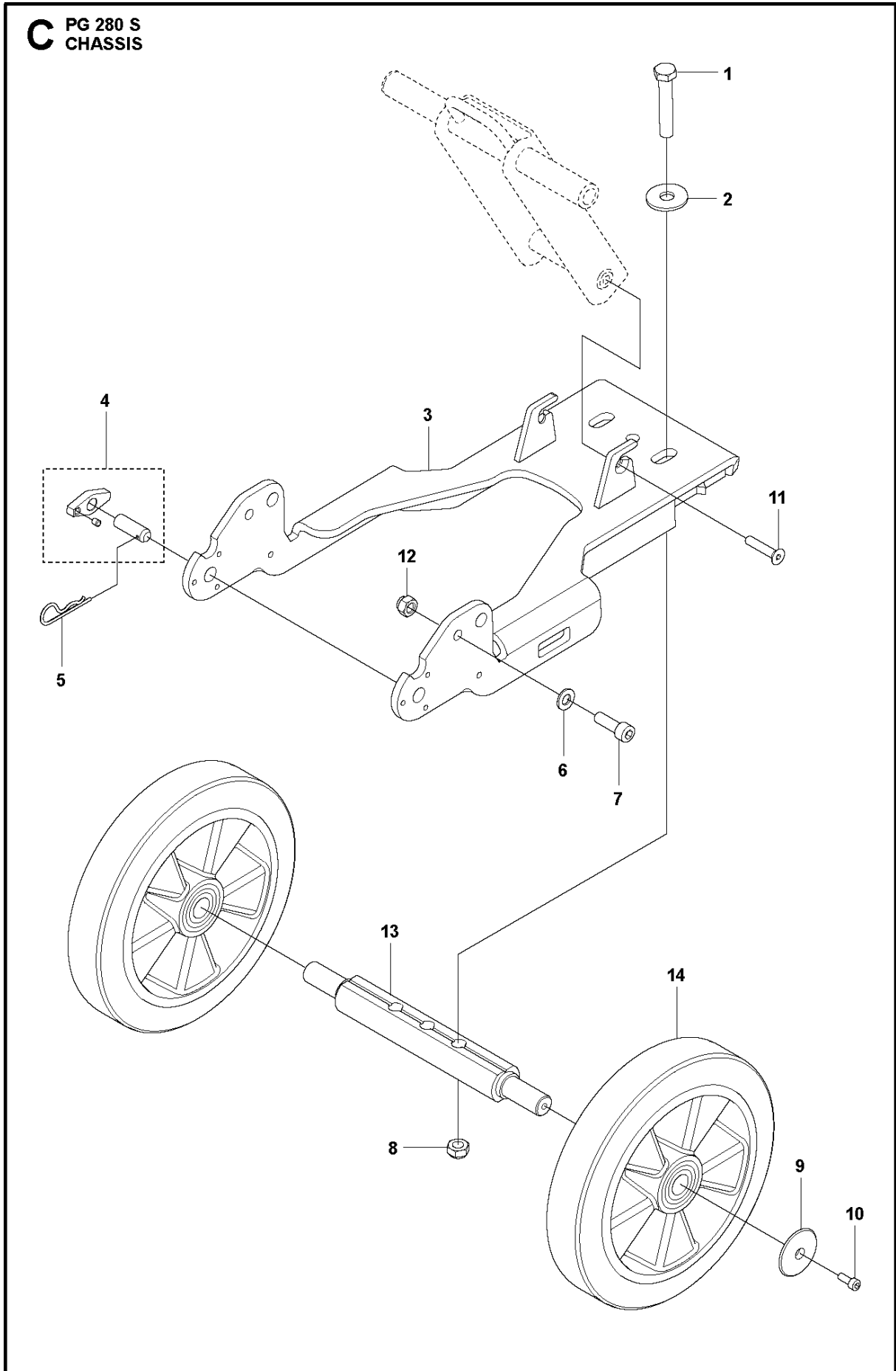
B PG 280 S
GRINDING HEAD



GRINDING HEAD

PG 280 S, 967947501, 967947502, 967947503, 2019-04

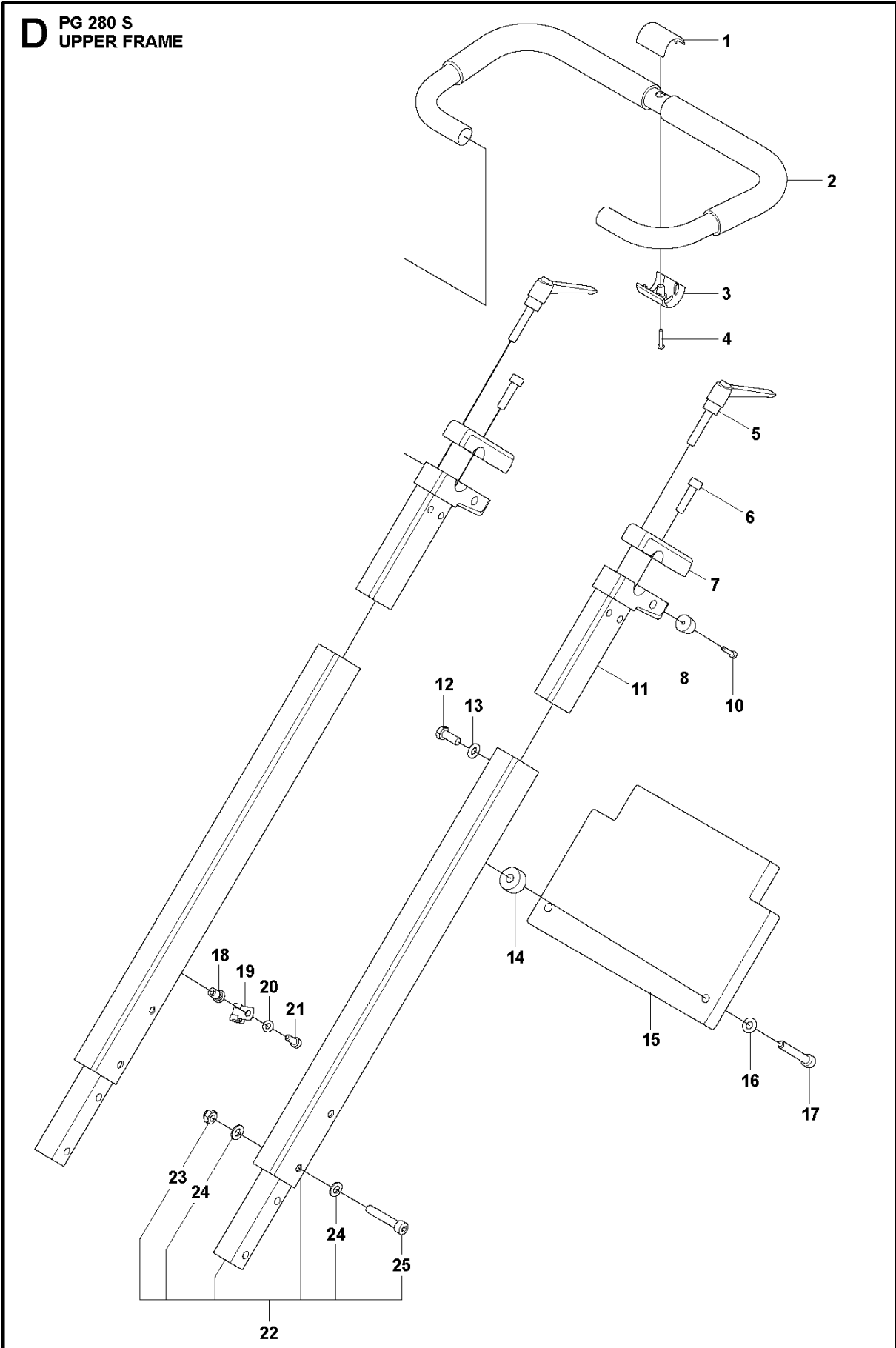
Ref	Part No	Description	Remark	QTY KIT
1	589 92 58-01	V-RING		1
2	585 51 47-01	HUB		1
3	725 64 47-55	SCREW IHCSFM		6
4	510 21 30-02	ATTACHMENT PLATE		1
5	725 54 51-55	SCREW IHSCM		6
6	510 23 51-01	WASHER		1
7	725 24 95-71	SCREW EHHM		1
8	510 21 31-01	DAMPER		6
9	586 79 67-01	HOLDER		1
10	725 64 49-55	SCREW IHCSFM		6
11	582 30 00-14	BRUSH		1
12	595 30 44-01	COVER		1
13	585 52 44-02	SPACER		1
14	597 03 51-01	MOUNTING PLATE		1
15	721 42 56-01	SPRING PIN		4
16	589 79 74-01	SEALING PLATE		1
17	734 11 63-01	WASHER		4
18	725 54 59-01	SCREW IHSCM		4



CHASSIS

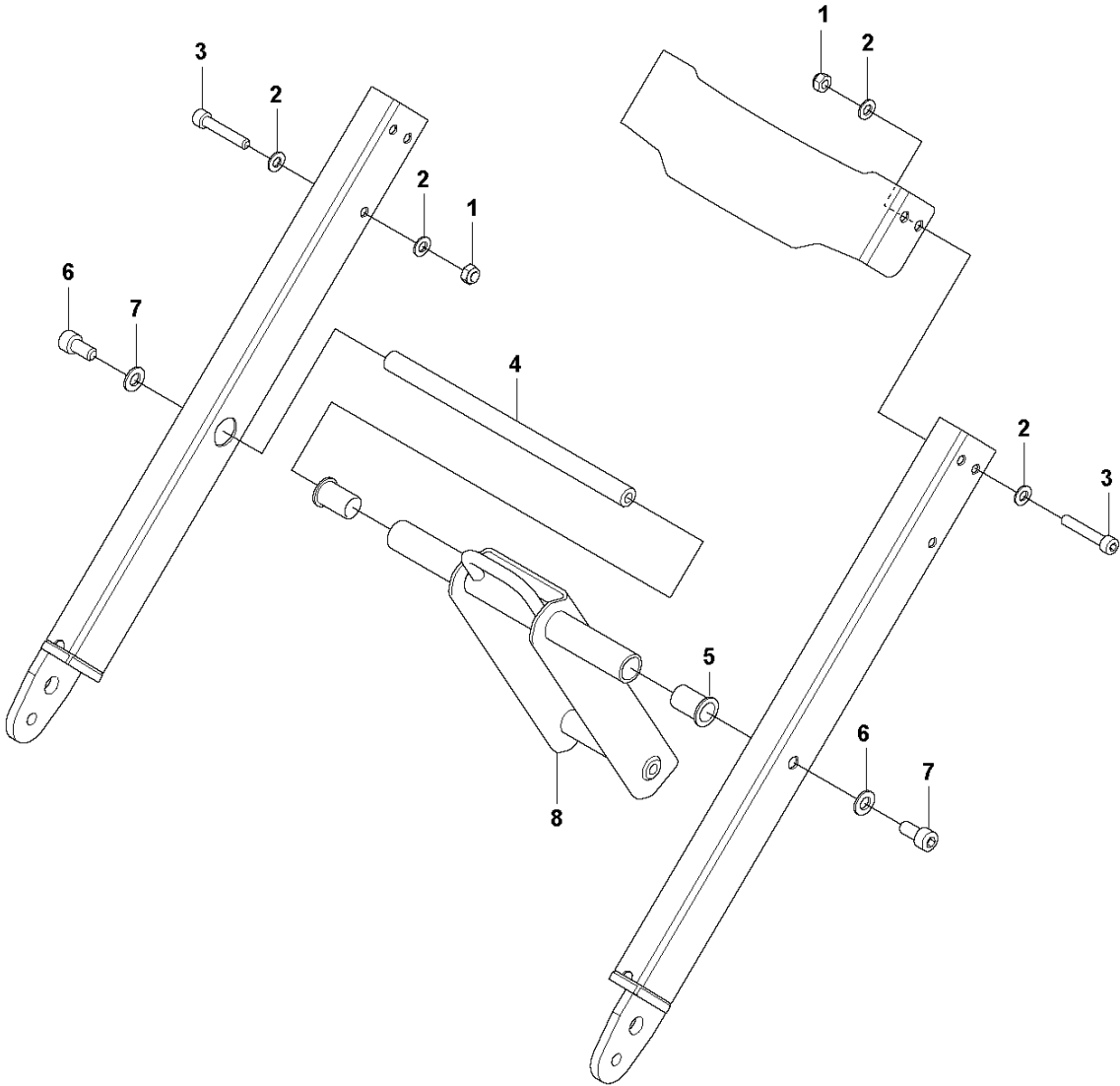
PG 280 S, 967947501, 967947502, 967947503, 2019-04

Ref	Part No	Description	Remark	QTY KIT
1	725 25 45-51	SCREW EHHM		2
2	734 11 80-41	WASHER		2
3	585 14 05-02	FRAME		1
4	586 99 17-01	BOLT		2
5	721 68 02-51	SPRING COTTER		2
6	734 11 72-01	WASHER		2
7	725 54 95-01	SCREW IHSCM		2
8	732 25 22-01	HEXAGON LOCKING NUT		2
9	501 32 12-01	WASHER		2
10	725 53 68-51	SCREW IHSCM		2
11	725 64 53-51	SCREW IHCSFM		2
12	732 25 20-01	HEXAGON LOCKING NUT		2
13	585 14 12-01	AXLE		1
14	590 72 67-01	WHEEL		2

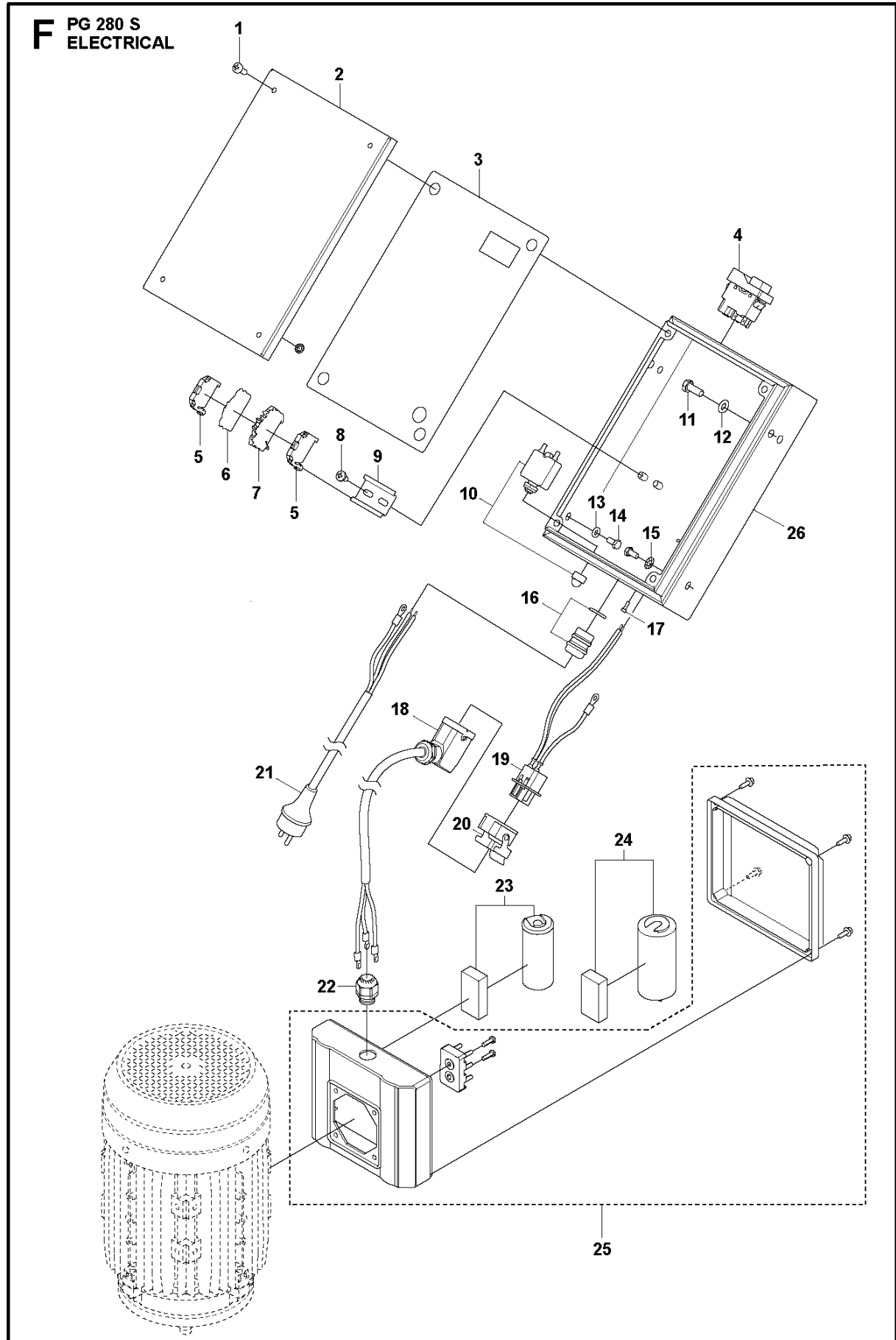


Ref	Part No	Description	Remark	QTY	KIT
1	587 15 85-01	COVER		1	
2	585 14 40-01	HANDLE		1	
3	587 15 86-01	COVER		1	
4	729 52 61-71	SCREW CRPANT		1	
5	590 37 37-01	LOCKING HANDLE		2	
6	725 54 55-21	SCREW IHSCM		2	
7	585 51 66-01	BRACKET		2	
8	585 51 68-01	RUBBER SHOE		2	
10	725 52 95-01	SCREW IHSCM		2	
11	589 83 77-01	BRACKET		2	
12	725 24 51-71	SCREW EHHM		4	
13	734 11 63-01	WASHER		4	
14	590 20 34-01	BUSHING		2	
15	597 09 32-01	COUNTERWEIGHT		1	
16	734 11 63-01	WASHER		14	
17	725 54 62-01	SCREW IHSCM		2	
18	521 88 66-01	RIVET		1	
19	589 66 91-01	CLIP		1	
20	734 11 52-01	WASHER		1	
21	725 53 68-01	SCREW IHSCM		1	
22	597 78 67-01	PLASTIC BAG		1	
23	732 25 18-01	HEXAGON LOCKING NUT		6	22
24	734 11 63-01	WASHER		8	22
25	725 54 60-01	SCREW IHSCM		6	22

E PG 280 S
LOWER FRAME



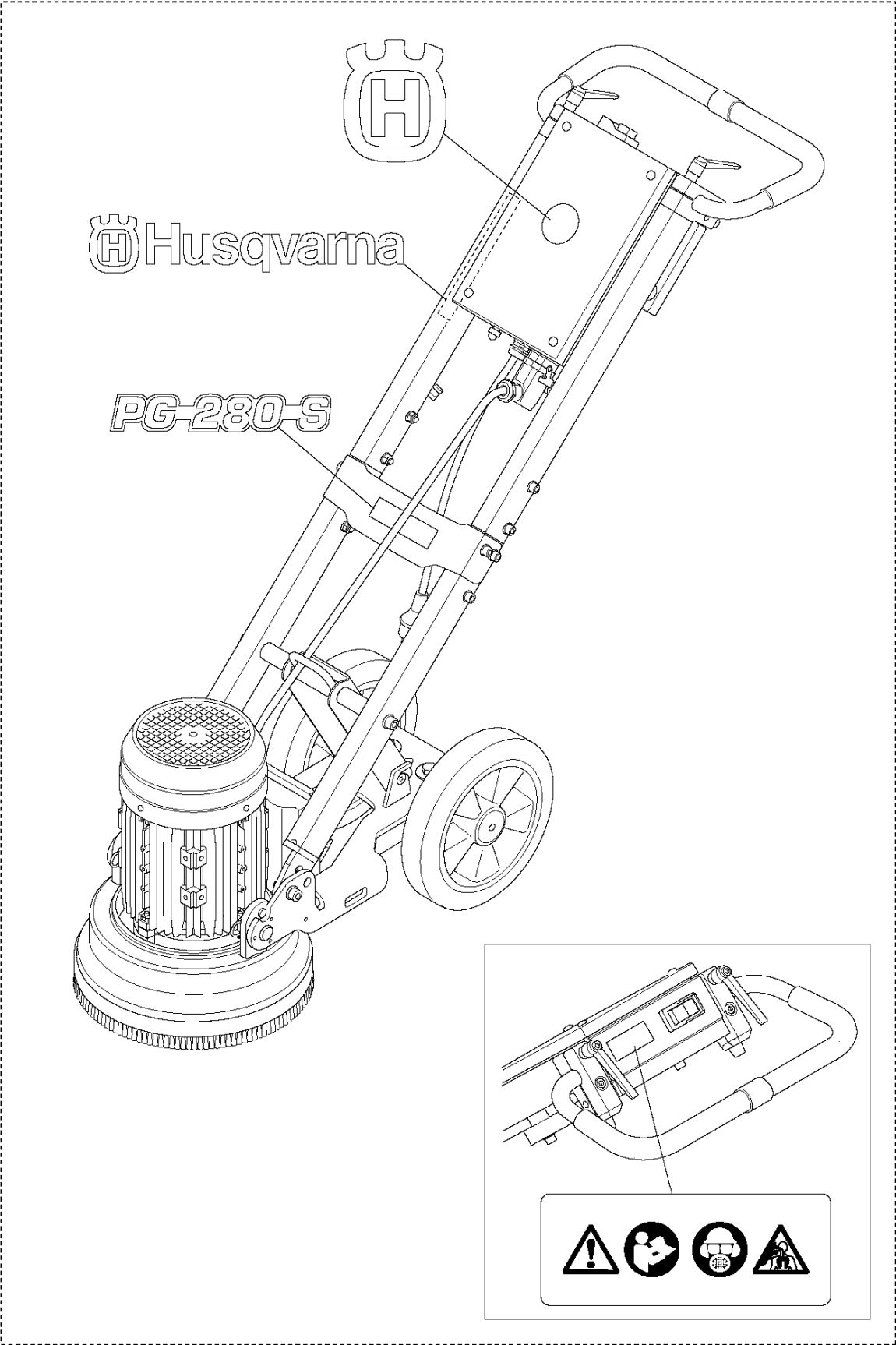
Ref	Part No	Description	Remark	QTY KIT
1	732 25 18-01	HEXAGON LOCKING NUT		6
2	734 11 63-01	WASHER		8
3	725 54 60-01	SCREW IHSCM		6
4	585 12 90-02	TUBE		1
5	585 12 91-01	BUSH		2
6	734 11 72-01	WASHER		2
7	725 54 91-01	SCREW IHSCM		2
8	595 34 17-01	SUPPORT		1



Ref	Part No	Description	Remark	QTY KIT
1	724 13 68-51	SCREW CRPANM		4
2	586 47 43-02	LID		1
3	586 46 70-02	SEALING		1
4	590 11 08-01	MAIN SWITCH		1
5	585 36 61-05	TERMINAL BLOCK		2
6	585 36 61-03	TERMINAL BLOCK		1
7	585 61 35-01	TERMINAL BLOCK		1
8	724 13 62-51	SCREW CRPANM		2
9	522 74 70-01	RAIL		1
10	585 54 41-04	CIRCUIT BREAKER		1
11	725 24 51-71	SCREW EHHM		4
12	734 11 63-01	WASHER		4
13	734 11 52-01	WASHER		5
14	725 23 66-71	SCREW EHHM		2
15	735 21 53-01	LOCKWASHER		3
16	510 43 17-01	CABLE GROMMET		1
17	725 52 24-01	SCREW		2
18	585 63 81-03	CABLE		1
19	596 87 16-01	CABLE KIT		1
20	585 36 66-05	CONNECTOR		1
21	596570403	TBD	US	1
21	596 57 04-02	CABLE ASSY	BR	1
21	596 57 04-01	CABLE ASSY	EU	1
22	510 43 17-02	CABLE GROMMET		1
23	597 68 90-05	MOTOR	50Hz	1
23	597 68 90-06	MOTOR	60Hz	1
24	597 68 90-07	MOTOR		1
25	597 68 90-04	MOTOR		1
26	596 13 78-01	ELECTRONIC BOX		1

G PG 280 S
DECALS

1



Ref	Part No	Description	Remark	QTY KIT
1	597 78 69-01	DECAL KIT		1