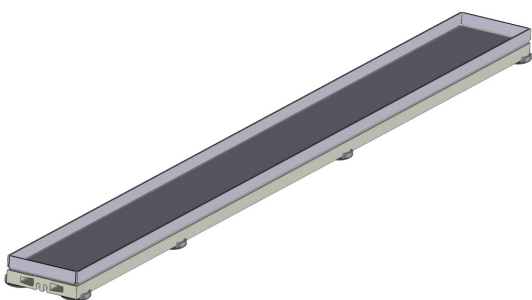


**SYSTEM DESCRIPTION**

Showertec Linear is a range of linear channels, 100% made in Italy, for floor-level, barrier-free showers. The channel is made of three elements: **Body** (channel body), **Cover** (removable and adjustable grids), and **Frame** (optional). This feature boosts aesthetic combinations, as Cover and Frame are two separate elements, which can be combined. To complete the system, you'll find the **Tray that is pre-sloped (2% slope)**, available in several sizes. Ready to be tiled.

**SHOWERTEC LINEAR - STL-CTF**

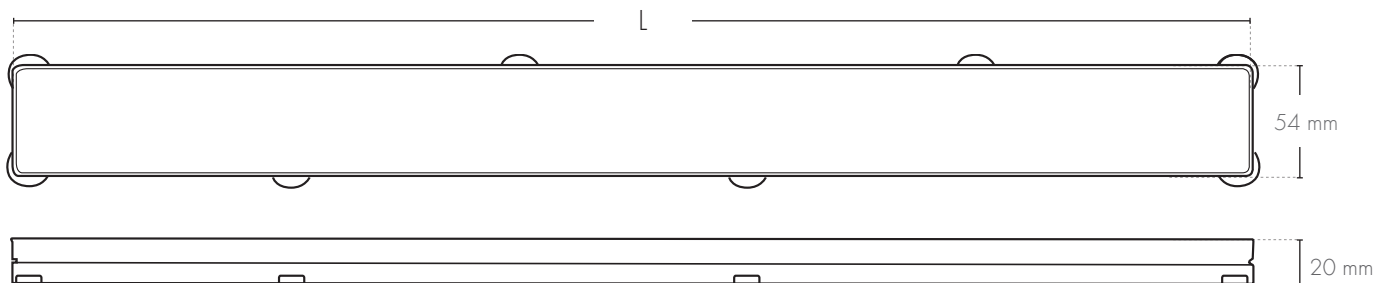
**PRODUCT DESCRIPTION**



**Cover Tileable, STL-CTF** is a tileable seamless cover with tile support from the Showertec Linear STL system. The base of the cover is equipped with plastic tabs conceived to rest on the support inlets of the **STL-B\* channel body**; they guarantee the cover's stability and allow for a smooth outflow of water.

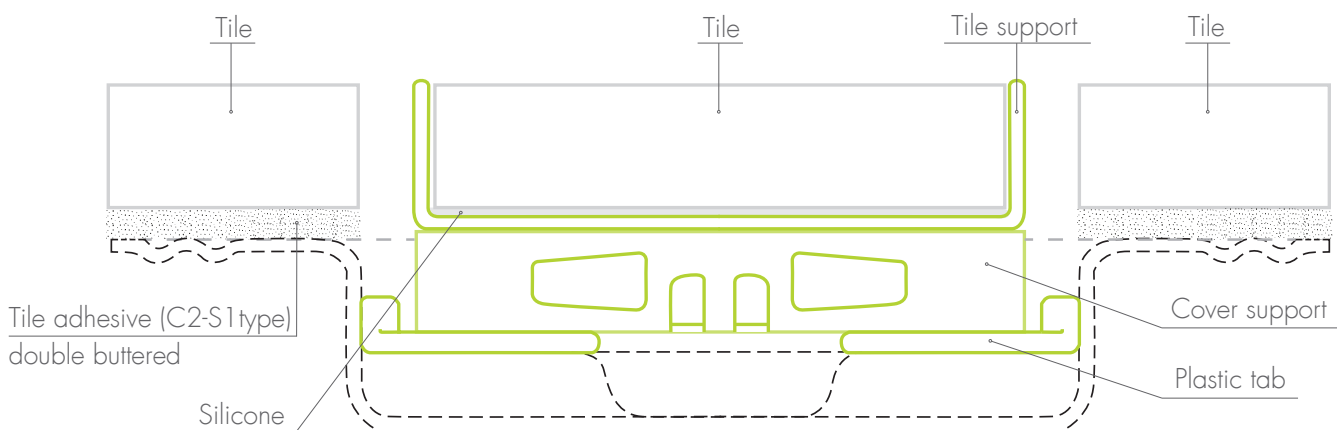
The **STL-CTF** cover is designed for linear channels in the Showertec Linear STL system, available in sizes 600, 700, 800, 900, 1000, and 1200 mm.

**TECHNICAL DRAWINGS STL-CTF**



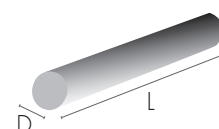
STL-CTF, tileable seamless cover with tile support

L = Available lengths: 600 mm / 700 mm / 800 mm / 900 mm / 1000 mm / 1200 mm



STL-CTF CODE

Article	Length (mm)	Description	pc ■	Pkg D x L (mm)
STL-CTF 600	600	Tileable cover <b>with internal frame</b> in St.Stainless Steel AISI 316	1 pc	ø90 x 630
STL-CTF 700	700	Tileable cover <b>with internal frame</b> in St.Stainless Steel AISI 316	1 pc	ø90 x 730
STL-CTF 800	800	Tileable cover <b>with internal frame</b> in St.Stainless Steel AISI 316	1 pc	ø90 x 830
STL-CTF 900	900	Tileable cover <b>with internal frame</b> in St.Stainless Steel AISI 316	1 pc	ø90 x 930
STL-CTF 1000	1000	Tileable cover <b>with internal frame</b> in St.Stainless Steel AISI 316	1 pc	ø90 x 1030
STL-CTF 1200	1200	Tileable cover <b>with internal frame</b> in St.Stainless Steel AISI 316	1 pc	ø90 x 1230



TECHNICAL FEATURES

**Class K3:** load resistance of the cover >300 kg, according to EN1253 standard  
 Suitable for tile thickness from 5/16" to 7/16"

**AASS test:** 1000 hours salt spray test with acetic acid in compliance with ISO9227:2012

COVER TILEABLE FEATURES AND ADVANTAGES



**The metal frame** protects the tile edge and at the same time donates a modern look.



The aluminum Covers are made with **ALU+ treatment**, which guarantees high corrosion resistance and is commonly used in the naval sector.



The bottom of the channel presents **support areas** for the cover's tabs: their position is conceived to increase the resistance to the Cover's loads without reducing the system's water flow capacity.

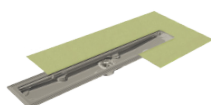


**Tool** supplied for an easy lifting of the cover

OTHER COMPONENTS

BODY, FRAME AND TRAY

**BODY**



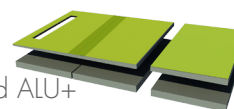
- Horizontal drain and siphon
- Vertical drain

**FRAME**



- Wall frame
- 13 finishes in Stainless Steel and ALU+

**TRAY**



- Sloped trays
- Extensions
- Risers
- Ramp

Profilitec S.p.A.  
 Via Scotte, 3 - 36033 Isola Vicentina (Vicenza), ITALY  
 Tel: +39 0444 268311  
 e-mail: profilitec@profilitec.com (ITA)

Profilitec Corp.  
 472 Meeting Street, Suite C, No. 301 -  
 Charleston, SC 29403, USA  
 Ph: +1 855 290 9591  
 e-mail: customerservice@profilitec.com