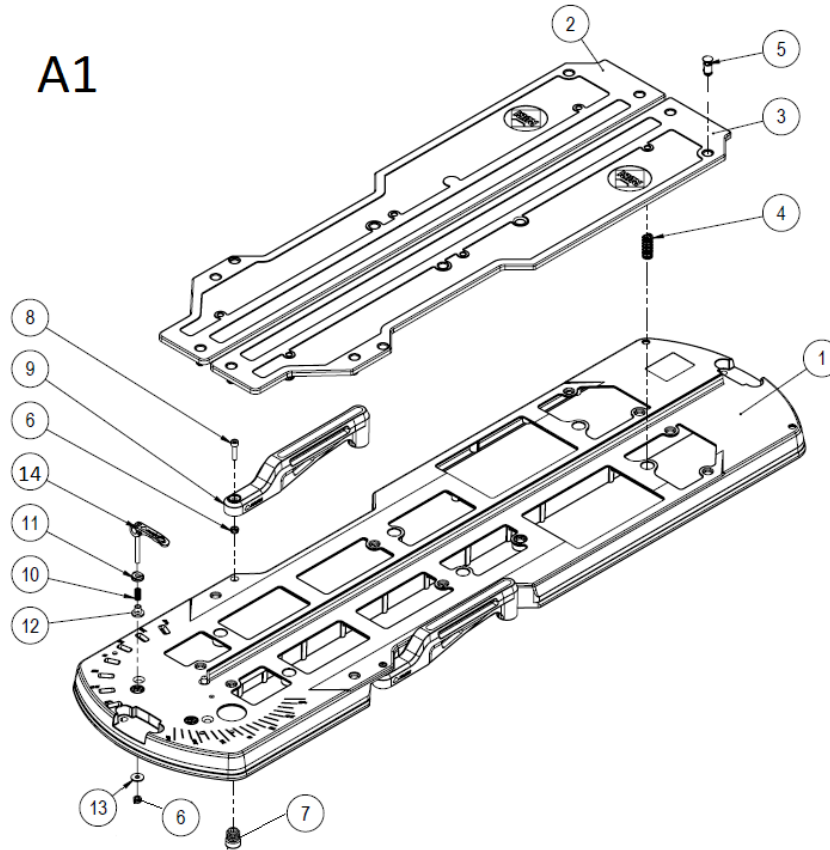


Part-list	ES	EN	Prod.
1	A1	GRUPO BASE 710/1020	BASE GROUP 710/1020
2	A2	GRUPO BASE 1250	BASE GROUP 1250
3	B	GRUPO ESCUADRA	SQUARE GROUP
4	C	GRUPO GUIAS	GUIDES GROUP
5	D	GRUPO PORTAHERRAMIENTAS	TOOLHOLDER GROUP

Prod.	ES	EN	From serial num.
17909	TX-710 MAX -CORTADOR MANUAL	TX-710 MAX	1035
17910	TX-710 MAX INCH -CORTADOR MANUAL	TX-710 MAX INCH	1035
17915	TX-1020 MAX -CORTADOR MANUAL	TX-1020 MAX	1679
17916	TX-1020 MAX INCH -CORTADOR MANUAL	TX-1020 MAX INCH	1679
17921	TX-1250 MAX -CORTADOR MANUAL	TX-1250 MAX	1069
17922	TX-1250 MAX INCH -CORTADOR MANUAL	TX-1250 MAX INCH	1069

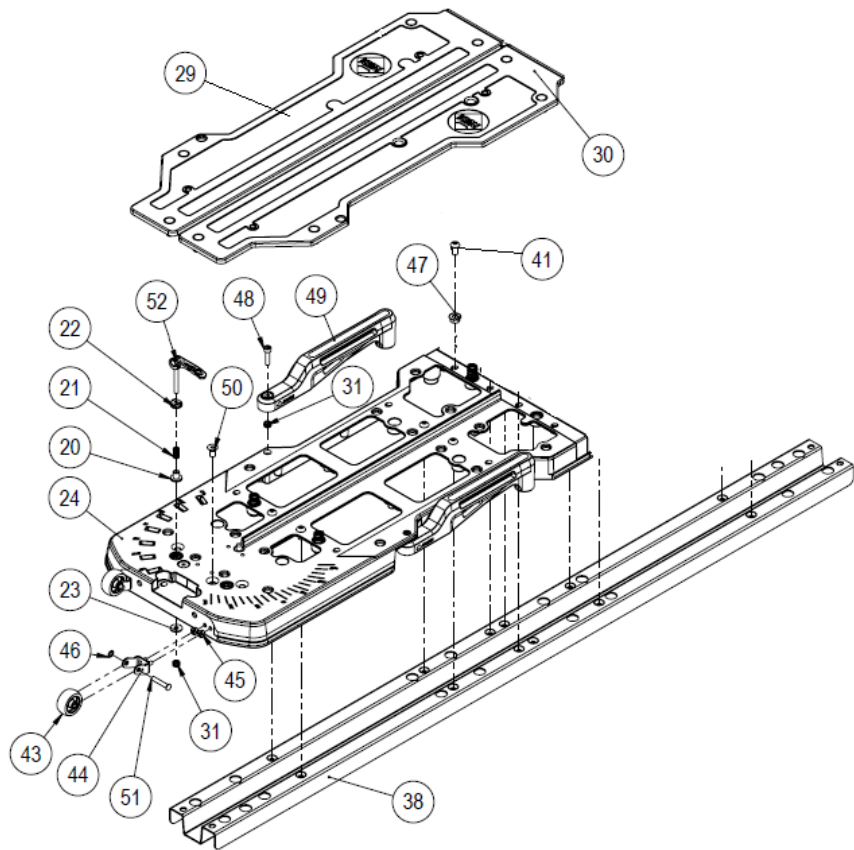
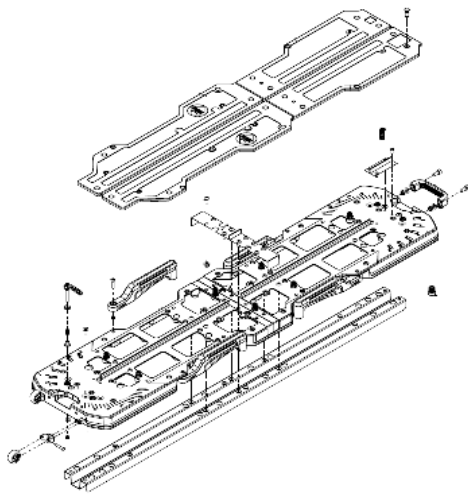
Queda reservado el derecho de introducir cualquier modificación técnica sin previo aviso

We reserve the right to introduce any technical modification without previous notice



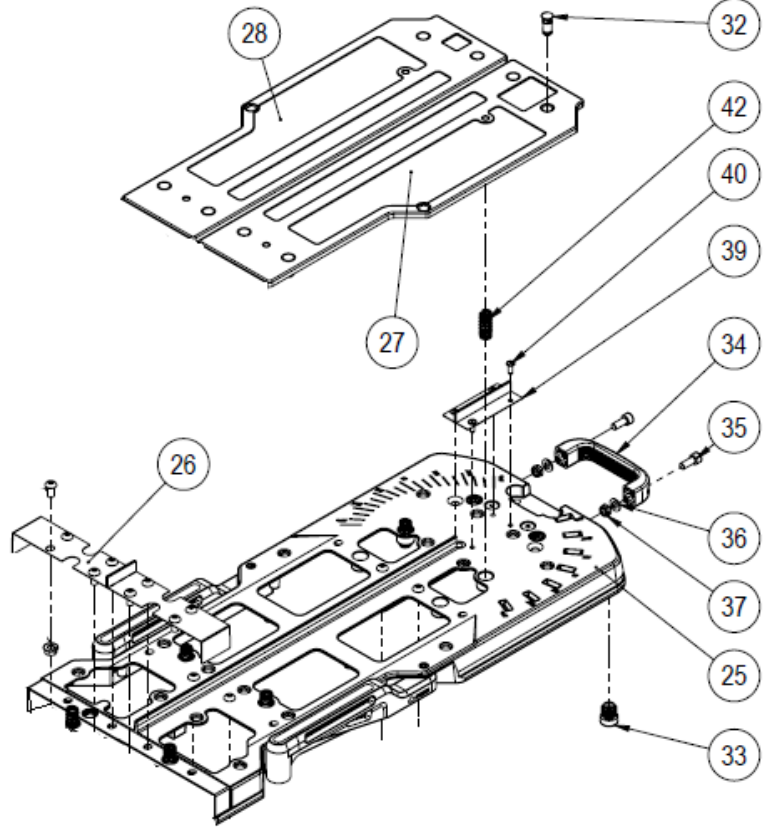
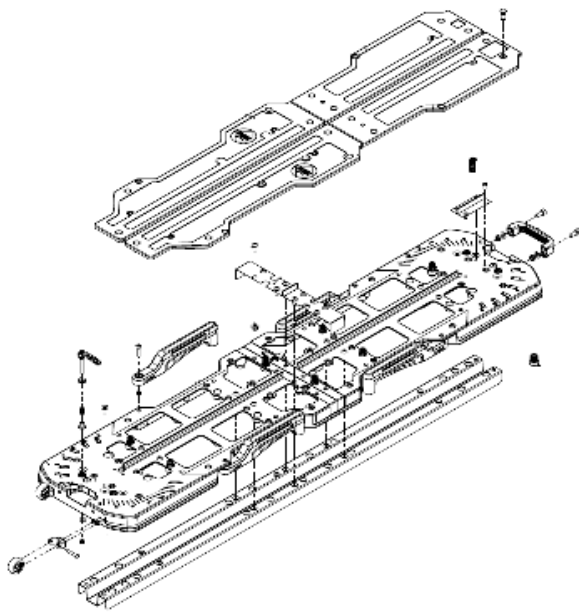
Part-list	ES	EN	Prod.
1	14175 1	BASE TQ-1000	17915, 17916
1	18483 1	BASE TX-700 V4 ROJO INY.	17909, 17910
2	17014 1	BASE FLOTANTE DER.TX-900 V2	17915, 17916
3	17015 1	BASE FLOTANTE IZQ.TX-900 V2	17915, 17916
4	12097 6	MUELLE COMPRESION 35,2X13 Ø1,7	17909, 17910, 17915, 17916
5	12086 10	CLIP BASE FLOTANTE TI	17909, 17910, 17915, 17916
6	40020 3	TUERCA DIN 985 M6 CL8 ZN AUTOBLOC	17909, 17910, 17915, 17916
7	17549 4	CONTERA GOMA ESF.Ø 21X25	17909, 17910, 17915, 17916
8	55038 2	TORN DIN 912 M6X25 6.8 ZN	17909, 17910, 17915, 17916
9	18695 2	BRAZO DE APOYO TX MAX	17909, 17910, 17915, 17916
10	12403 1	MUELLE COMPRESION 15,2X7,8 Ø0,8	17909, 17910, 17915, 17916
11	14089 1	ARAND CON INSERTO PARA REF:14117	17909, 17910, 17915, 17916
12	18660 1	CASQ.MUELLE CIERRE RAPIDO TX	17909, 17910, 17915, 17916
13	45038 1	ARAND DIN 9021 A6,4 ZN	17909, 17910, 17915, 17916
14	14117 1	CIERRE RAPIDO M6X35 NEGRO	17909, 17910, 17915, 17916

## A2

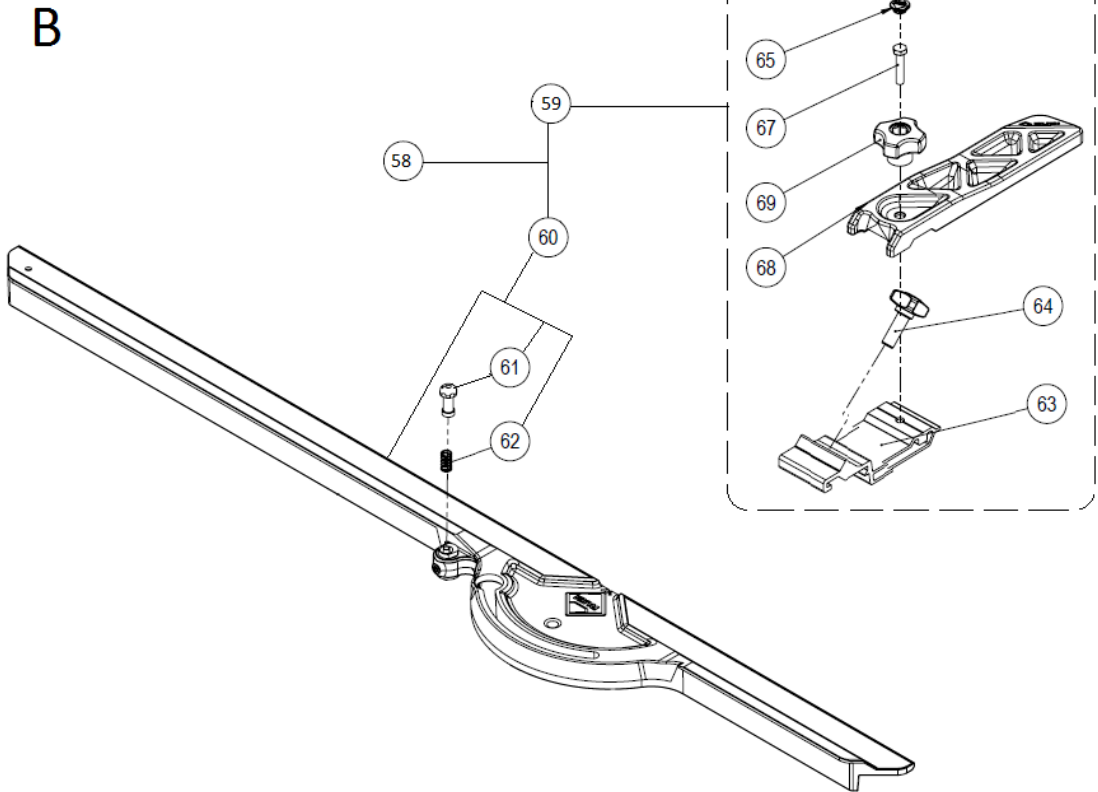


Part-list	ES	EN	Prod.	
20	18660 1	CASQ.MUELLE CIERRE RAPIDO TX	CAM LEVER SPRING BUSHING TX	17921, 17922
21	12403 1	MUELLE COMPRESION 15,2X7,8 Ø0,8	COMPRESSION SPRING 15,2X7,8 Ø0,8	17921, 17922
22	14089 1	ARAND CON INSERTO PARA REF:14117	WASHER AND INSERT FOR REF:14117	17921, 17922
23	45038 1	ARAND DIN 9021 A6,4 ZN	WASHER DIN 9021 A6,4 ZP	17921, 17922
24	18685 1	BASE TX-1200 V5 INY.	BASE TX-1200 V5	17921, 17922
29	17011 1	BASE FLOTANTE DER.TX-700 V2	FLOATING BASE RIGHT TX-700 V2	17909, 17910
30	17012 1	BASE FLOTANTE IZQ.TX-700 V2	FLOATING BASE LEFT TX-700 V2	17909, 17910
31	40020 5	TUERCA DIN 985 M6 CL8 ZN AUTOBLOC	HEX LOCK NUT DIN 985 M6 CL8 ZP	17921, 17922
38	18697 1	REFUERZO BASE TX-1200 V3	BASE REINFORCEMENT TX-1200 V3	17921, 17922
41	47059 16	TORN ISO 7380 M8X16 ULS 6.8 ZN	SCREW ISO 7380 M8X16 (ULS) 6.8 ZP	17921, 17922
43	17367 2	RUEDA Ø 42 MM	WHEEL DIA.42 MM	17921, 17922
44	17373 2	HORQUILLA RUEDA TX-N V2	WHEEL FORK TX-N V2	17921, 17922
45	70104 4	TUERCA DIN 6923 M5 CL8 ZN	NUT DIN 6923 M5 CL8 ZP	17921, 17922
46	12418 2	ARAND DIA.6 RETEN. ZN BLANCO	WASHER DIA.6 ZP	17921, 17922
47	57335 4	TUERCA DIN 6923 M8 CL8 ZN	NUT DIN 6923 M8 CL8 ZP	17921, 17922
48	55038 4	TORN DIN 912 M6X25 6.8 ZN	SCREW DIN 912 M6X25 6.8 ZP	17921, 17922
49	18695 4	BRAZO DE APOYO TX MAX	SUPPORT ARM TX MAX	17921, 17922
50	55095 4	TORN DIN 7991 M8X16 8.8 ZN	SCREW DIN 7991 M8X16 8.8 ZP	17921, 17922
51	13111 2	EJE PISADOR RAPID	BREAKING FEET AXLE RAPID	17921, 17922
52	14117 1	CIERRE RAPIDO M6X35 NEGRO	CAM LEVER M6X35 BLACK	17921, 17922

## A3

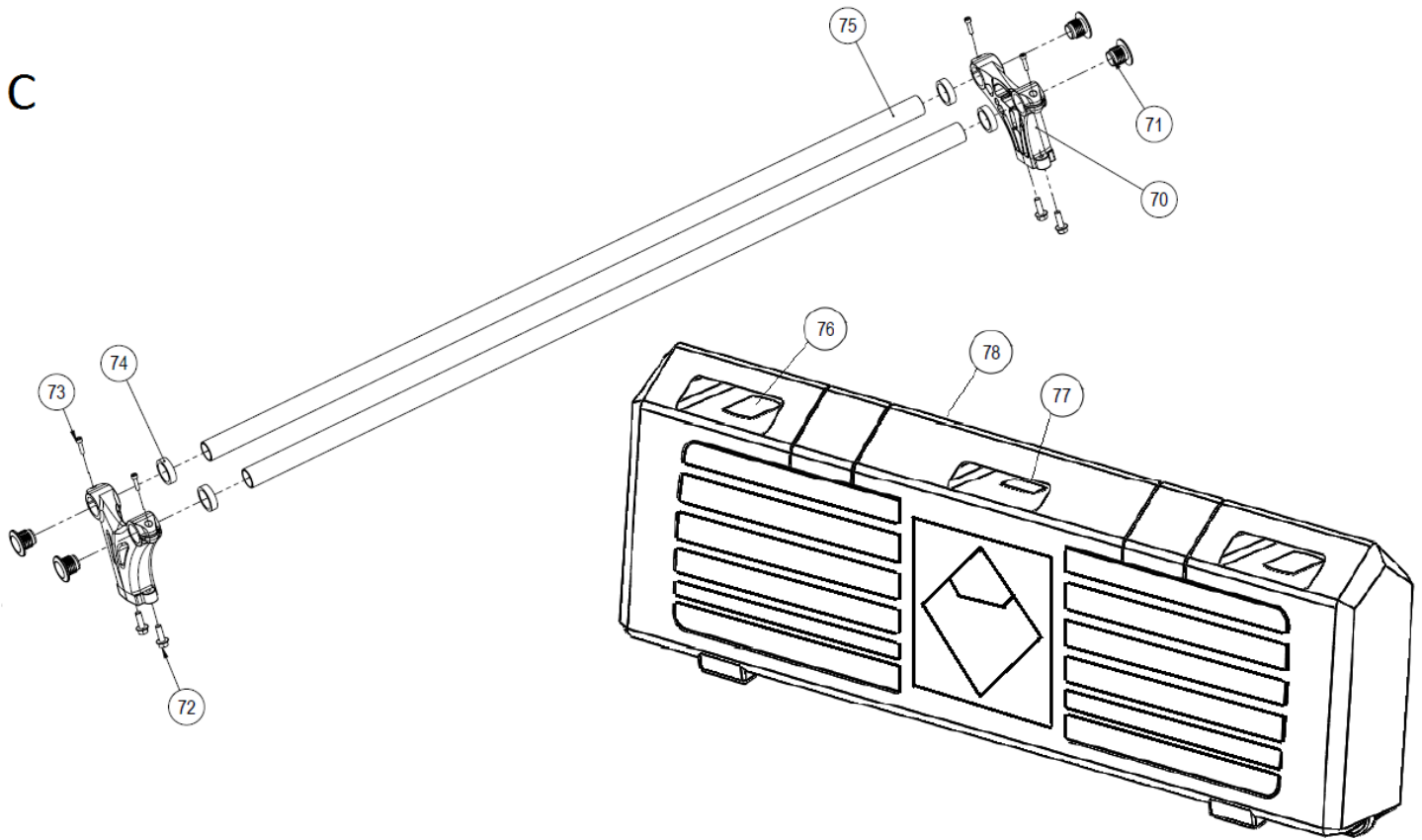


Part-list	ES	EN	Prod.
25	18687 1	BASE TX-1200 V5 S/MEC.INY.	BASE TX-1200 V5 S/MEC. 17921, 17922
26	18698 1	EMPALME BASE TX-1200 V4	JOINT BASE TX-1200 V4 17921, 17922
27	17032 1	BASE FLOTANTE IZQ.TX-1200 V2	FLOATING BASE LEFT TX-1200 V2 17921, 17922
28	17031 1	BASE FLOTANTE DER.TX-1200 V2	FLOATING BASE RIGHT TX-1200 V2 17921, 17922
32	12086 16	CLIP BASE FLOTANTE TI	CLIP FLOATING BASE TI 17921, 17922
33	17549 8	CONTERA GOMA ESF.Ø 21X25	RUBBER ROUND RIBBED INSERT Ø21X25 17921, 17922
34	45342 1	ASA PLASTICO 116MM M8	PLASTIC HANDLE 116MM M8 17921, 17922
35	60432 2	TORN DIN 912 M8X20 6.8 ZN BLANCO	SCREW DIN 912 M8X20 6.8 17921, 17922
36	45056 2	ARAND DIN 125 A8,4 ZN	WASHER DIN 125 A8,4 ZP 17921, 17922
37	55048 2	TUERCA DIN 985 M8 CL8 ZN AUTOBL.	HEX LOCK NUT DIN 985 M8 CL8 ZP 17921, 17922
39	16296 1	REFUERZO COSTILLA TX-1200 V2 ROJO	RIB REINFORCEMENT TX-1200 V2 RED 17921, 17922
40	57035 4	REMACHE DIN 7337-A Ø 5X12 AL/S	ALUMINIUM RIVET W/BORE 5X12 17921, 17922
42	12097 8	MUELLE COMPRESION 35,2X13 Ø1,7	COMPRESSION SPRING 35,2X13 Ø1,7 17921, 17922



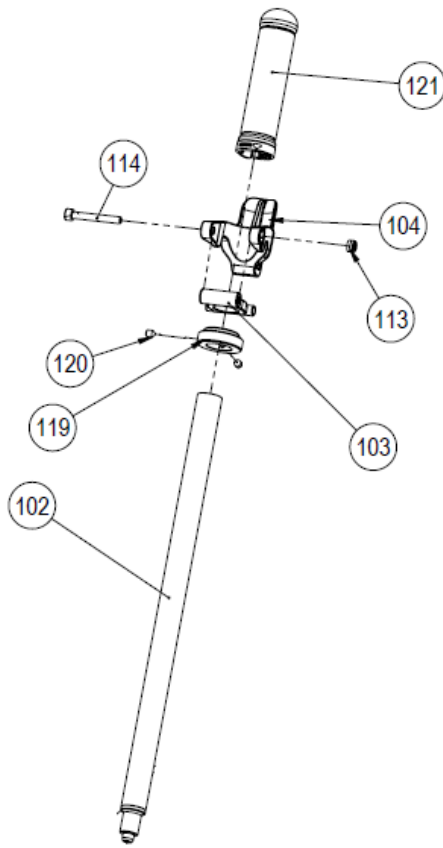
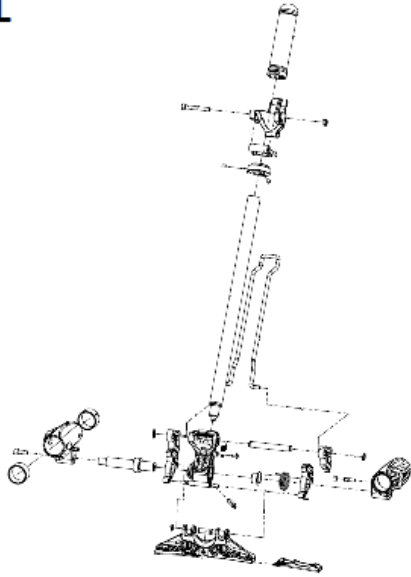
Part-list	ES	EN	Prod.
58	18859 1 REC.ESCUAD.TX MAX INCH C/TOP	SQUARE TX MAX SET INCH W/STOP	17910, 17916, 17922
58	18857 1 REC.ESCUAD.TX MAX MM C/TOP	SQUARE TX MAX SET MM W/STOP	17909, 17915, 17921
59	18831 1 C.J.TOPE LATERAL TX-N	LATERAL STOP SET TX-N	
60	18861 1 REC.ESCUADRA TX MAX GRABADA INCH	SQUARE SPARE ASS. TX MAX INCH	17910, 17916, 17922
60	18860 1 REC.ESCUADRA TX MAX GRABADA MM	SQUARE SPARE ASS. TX MAX MM	17909, 17915, 17921
61	12190 1 BOTON ANCLAJE TI/R V2	LOCKING BUTTON TI/R V2	
62	12403 1 MUELLE COMPRESION 15,2X7,8 Ø0,8	COMPRESSION SPRING 15,2X7,8 Ø0,8	
63	18828 1 GUIA TOPE LATERAL TX MAX V2	LATERAL TOP GUIDE TX MAX V2	
64	12513 1 POMO M10X25 ROSCA LATON	KNOB M10X25	
65	57485 1 TAPON POMO M6 ROJO	RED COVER KNOB M6	
67	7357 1 TORN DIN 933 M6X30 6.8 ZN	SCREW DIN 933 M6X30 6.8 ZP	
68	18424 1 TOPE LATERAL GIRATORIO TR MAGNET	ROTATING LATERAL TOP TR MAGNET	
69	13255 1 POMO M6 ESTANDAR ROJO V2	RED STANDARD M6 KNOB V2	

C



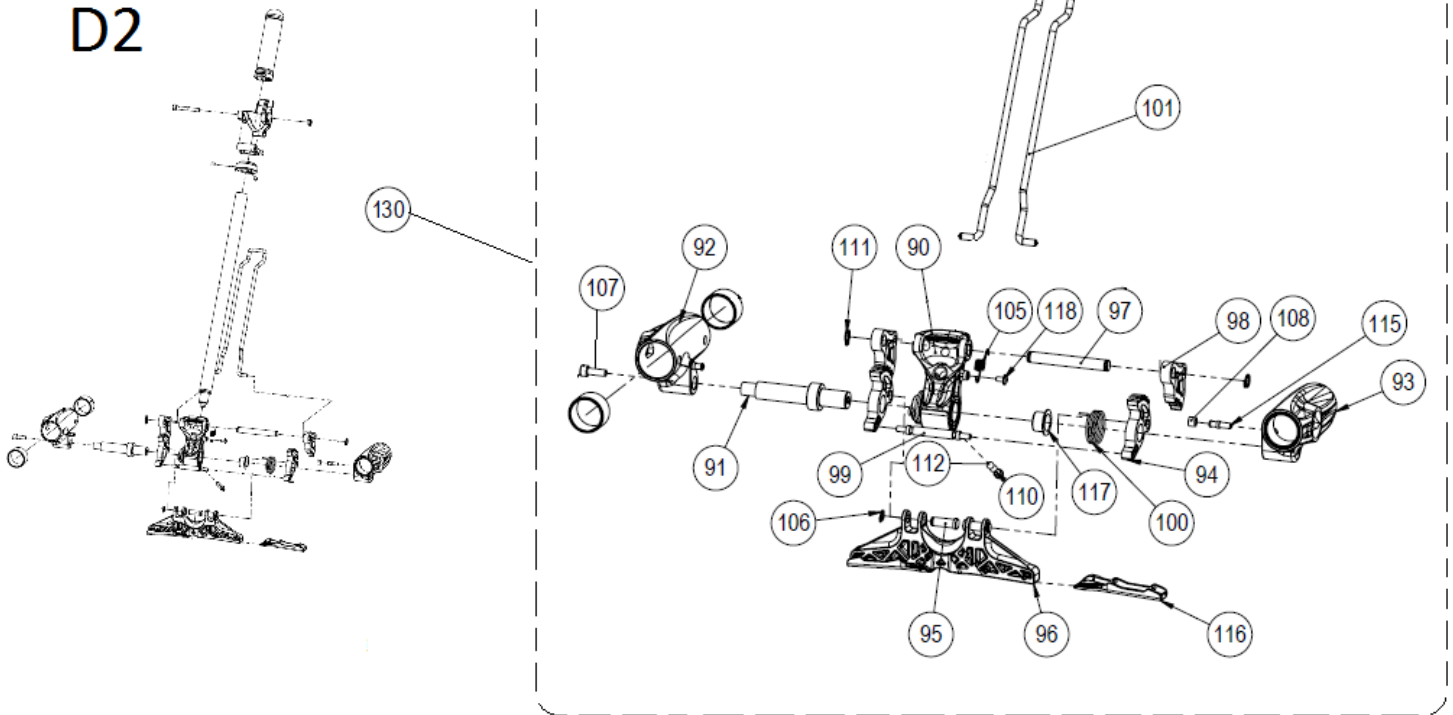
Part-list	ES	EN	Prod.	
70	18505 2	SOPORTE GUIA TX MAX	GUIDE SUPPORT TX MAX	
71	18502 4	TAPON GUIA TX MAX V2	GUIDE CAP TX MAX V2	
72	15172 4	TORN DIN 6921 M8X25 6.8 ZN	SCREW DIN 6921 M8X25 6.8 ZP	
73	17005 4	TORN DIN 912 M5X20 6.8 ZN BLANCO	SCREW DIN 912 M5X20 6.8 ZP WHITE	
74	18549 4	TOPE CORREDERA Ø30X38X10	FRONT SLIDER TOP Ø30X38X10 TX MAX	
75	18658 2	GUIA Ø 30 Ø 26 L=1424	GUIDE Ø 30 Ø 26 L=1424	17921, 17922
75	18657 2	GUIA Ø 30 Ø 26 L=1205,5	GUIDE Ø 30 Ø 26 L=1205,5	17915, 17916
75	18517 2	GUIA Ø 30 Ø 26 L=885,5	GUIDE Ø 30 Ø 26 L=885,5	17909, 17910
76	15761 1	CIERRE MALETA 89X54 TS50/60,TR, TM, TX	PLASTIC LATCH 89X54 (TS50/60,TR, TM, TX)	
77	15829 2	CIERRE MALETA 54X31 CENTRAL TX V2	PLASTIC LATCH 54X31 CENTRAL TX V2	
78	17875 1	CJ.MALETA TX-700/N V2	CASE SET TX-700/N V2	17909, 17910
78	18839 1	CJ.MALETA TX-1020	CASE SET TX-1020	17915, 17916
78	17877 1	CJ.MALETA TX-1200-N V2	CASE SET TX-1200-N V2	17921, 17922

## D1



Part-list	ES	EN	Prod.
102 17706 1	PALANCA M16X1,5 L=400 CARRITO TZ	LEVER M16X1,5 L=400 TOOLHOLDER TZ	
103 18480 1	SOPORTE GATILLO TX MAX	TRIGGER SUPPORT TX MAX	
104 18473 1	GATILLO TX MAX	TRIGGER TX MAX	
113 40020 1	TUERCA DIN 985 M6 CL8 ZN AUTOBLOC	HEX LOCK NUT DIN 985 M6 CL8 ZP	
114 17715 1	TORN DIN 912 M6X45 8.8 ZN	SCREW DIN 912 M6X45 8.8 ZP	
119 18833 1	CASQ 22,6X32X40X18 ZN	BUSHING 22,6X32X40X18 ZP	
120 18832 2	PRISIONERO DIN 914 M6X8	PIN DIN 914 M6X8	
121 17751 1	MANGO RUBI Ø22	HANDLE RUBI Ø22	





Part-list	ES	EN	Prod.
90	18479 1	PORTAHERRAMIENTAS TX MAX	TOOLHOLDER TX MAX
91	18472 1	EJE PORTAHERRAMIENTAS TX MAX	TOOLHOLDER AXLE TX MAX
92	18852 1	CJ.CORRED.ENCASQ.DERECHA TX MAX	RIGHT CARRIER SET W/BUSHING TX-MAX
93	18853 1	CJ.CORRED.ENCASQ.IZQUIERDA TX MAX	LEFT CARRIER SET W/BUSHING TX-MAX
94	18464 2	ARO DENTADO TX MAX	PAWL TX MAX
95	18470 2	EJE PISADOR TX MAX	BREAKING FEET TX MAX
96	18478 1	PISADOR TX MAX	BREAKING FEET TX MAX
97	18471 1	EJE PIVOTE BASCULANTE TX MAX	TITILING TIPPER AXLE TX MAX
98	18465 2	BASCULANTE DENTADO TX MAX	GEARED TILTING TX MAX
99	18469 1	EJE GATILLO BASCULANTE TX MAX	TITILING TRIGGER AXLE TX MAX
100	18474 2	MUELLE TORSION DERECHO TX MAX	RIGHT TORSION SPRING TX MAX
101	18481 1	VARILLA DESCLAVALO TX MAX	UNFIXING BAR TX MAX
105	18693 2	MUELLE TRACCION TX MAX	TRACTION SPRING TX MAX
106	7163 2	ANILLO DIN 471 Ø 8 PVN	CIRCLIP DIN 471 Ø 8 PVN
107	17716 1	TORN DIN 912 M6X18 8.8 ZN	SCREW DIN 912 M6X18 8.8 ZP
108	18646 2	FUNDA GOMA PASADOR TX MAX	RUBBER PIN COVER TX MAX
110	12109 1	PRISIONERO DIN 913 M8X6	PIN DIN 913 M8X6
111	16067 2	ANILLO DIN 471 Ø 10	RETAINING RING DIN-471 Ø10
112	18647 2	BOLA Ø 6,35 MM POLIAMIDA (NYLON)	BALL Ø 6,35 MM POLYAMIDE (NYLON)
115	18477 2	EJE COLISO ARO DENTADO TX MAX	PAWL AXLE TX MAX
116	18692 2	PROTECTOR CERAMICA PARA REF:18478	FUNDA PISADOR TX MAX
117	18696 2	CASQ P210FM-1618-12 IGUS	BUSHING P210FM-1618-12 IGUS
118	18661 2	TORN BN 20191 40X8WN 5251/T20	SCREW BN 20191 40X8WN 5251/T20
130	18803 1	CJ.CORRED.PORTAHERRAM.TX MAX	TOOLHOLDER W/SLIDES SET TX MAX