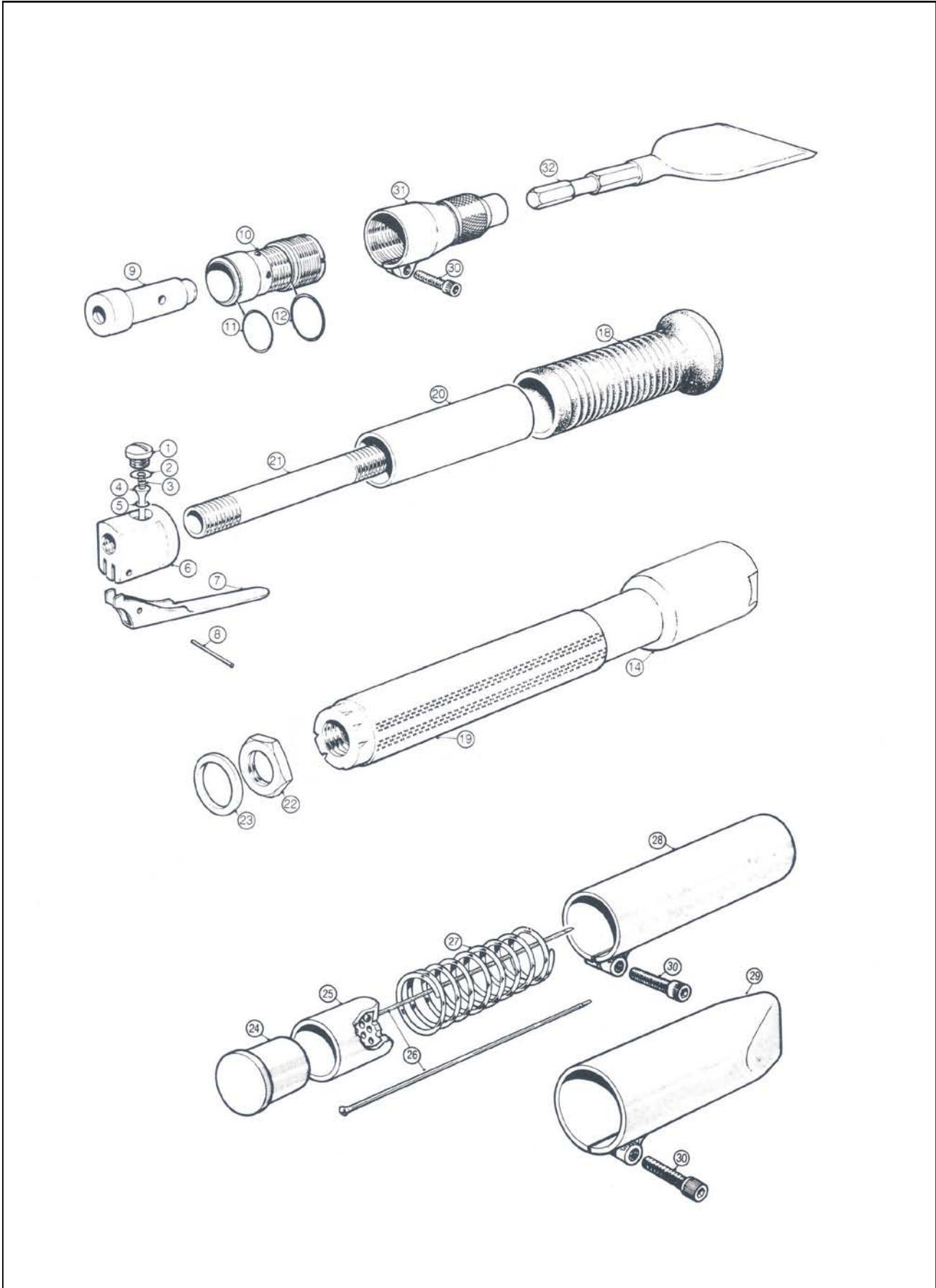
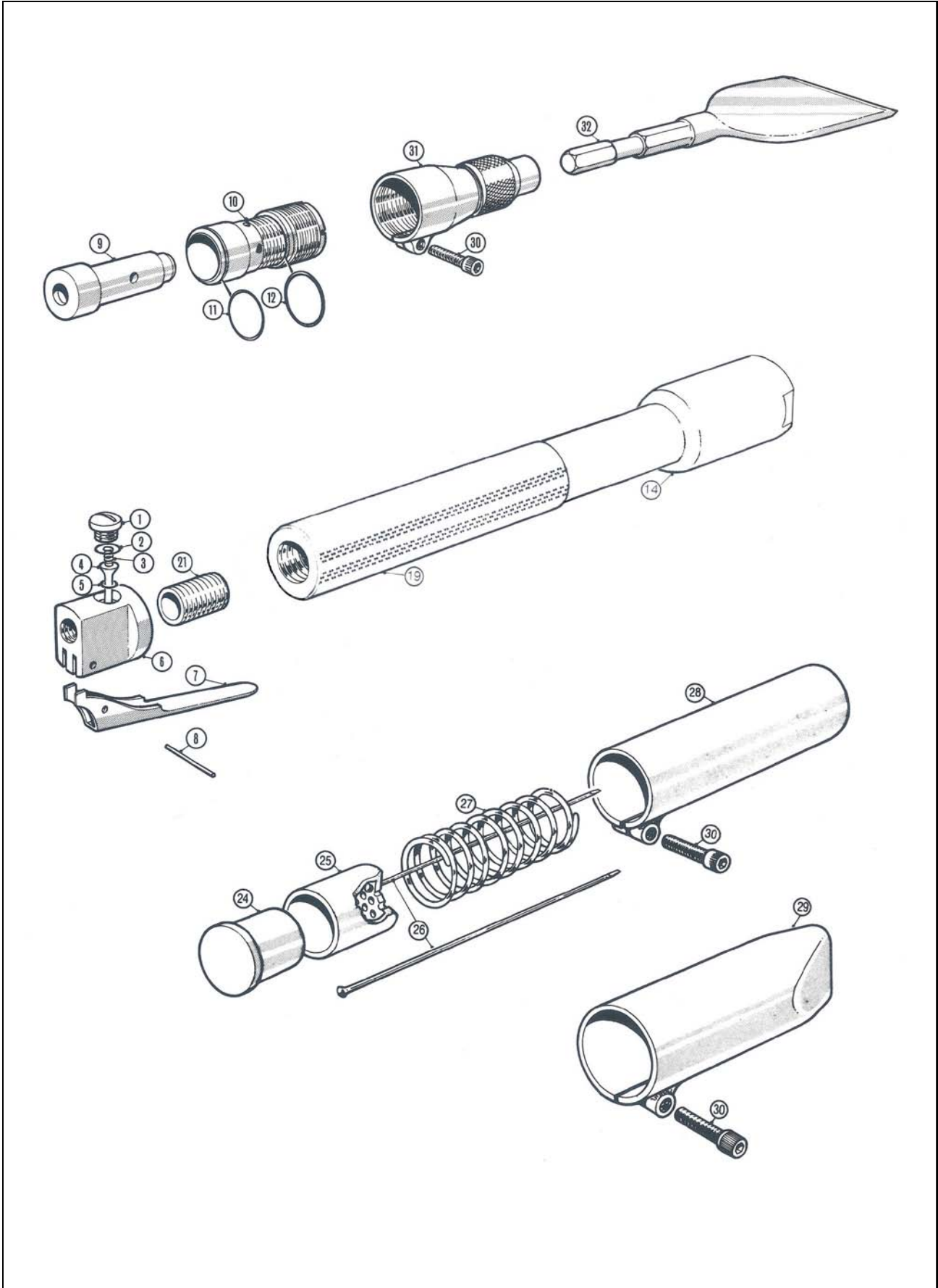


SERVICE LAYOUT - Standard Scaler



SERVICE LAYOUT - Lite Scaler



PARTS LIST

ITEM	PART No	DESCRIPTION	ITEM	PART No	DESCRIPTION
Common components			Common components		
1	615.3021	Valve Cap	29	417.3032	Front Tube (Straight)
2	809.0139	O'Ring (Valve Cap)		418.3032	Front tube (Round)
3	712.3022	Valve Spring		415.3532	Needle Scaler Assembly (Items 24 to 28)
4	618.3022	Valve Stem	30	806.0830	Cap Head Screw
5	809.0089	O'Ring - (Valve Seat)	31	419.3541	Chisel Holder Assembly 5/8" Hex
6	616.3021	Valve Body	32	705.1102	Chisel 5/8" Hex 8" Long x 4" Blade
	423.3021	Valve Body Assembly BSP Thread (inc items 1-8)		431.3504	Scraper Holder - includes 4" Replaceable Blade
	423.3521	Valve Body Assembly NPT Thread (Inc items 1-8)		431.3508	Scraper Holder - inc 8" Replaceable Blade
				431.3512	Scraper Holder - inc 12" Replaceable Blade
7	716.3000	Throttle Lever		431.3904	Scraper Holder - inc Bevelled 4" Replaceable Blade
8	813.0108	Roll Pin		431.3908	Scraper Holder - inc Bevelled 8" Replaceable Blade
9	612.3001	Piston		431.3912	Scraper Holder - inc Bevelled 12" Replaceable Blade
10	613.3101	Cylinder		439.3504	Pack of 5 Scraper blades 4"
11	809.0289	O'Ring (Cylinder -small diameter)		439.3508	Pack of 5 Scraper blades 8"
12	809.0299	O'Ring (Cylinder -large diameter)		439.3512	Pack of 4 Scraper blades 12"
24	610.3001	Anvil		439.3524	Pack of 5 Bevelled Scraper blades 4"
25	601.3003	2mm Needle Holder		439.3528	Pack of 5 Bevelled Scraper blades 8"
	601.3002	3mm Needle Holder		439.3522	Pack of 5 Bevelled Scraper blades 12"
	601.3004	4mm Needle Holder		705.1100	Chisel 5/8" Hex 9" Long x 2" Blade
26	412.1165	6 x 2mm Needle Sets (Flat Tip)		705.1106	Chisel 5/8" Hex 9" Long x 2" Blade
	413.2128	6 x 3mm Needle Sets (Chisel Tip - standard fitment)		705.1112	Chisel 5/8" Hex 8" Long Spark Resistant 4" Blade
	413.1128	6 x 3mm Needle Sets (Flat Tip)		708.1100	Comb Holder 5/8" Hex for 1 1/2" Steel Comb
	413.3128	6 x 3mm Needle Sets (Pointed Tip)		708.1101	Comb 1 1/2" Wide
	403.1328	1 x 3mm Needle Sets (Beryllium Copper)		641.3512	Yoke for Scraper Blades (no blade)
	414.2119	6 x 4mm Needle Sets (Chisel Tip)		806.0816	Button Head Screw for Yoke/Scraper Blade
	414.1119	6 x 4mm Needle Sets (Flat Tip)		824.0800	Nyloc Nut for Yoke/Scraper Blade
	414.3119	6 x 4mm Needle Sets (Pointed Tip)			
	442.1107	Pack of 2000 2mm Needles (Flat Tip)	Long Reach components (Standard tool)		
	452.1110	Pack of 100 2mm Needles (Flat Tip)	14	425.3225	2' Cover std
	443.2107	Pack of 1000 3mm Needles (Chisel Tip)		425.3425	4' Cover std
	443.1107	Pack of 1000 3mm Needles (Flat Tip)		425.3525	5' Cover std
	443.3107	Pack of 1000 3mm Needles (Pointed Tip)		425.3625	6' Cover std
	443.1307	Pack of 500 3mm Needles (Beryllium Copper)	18	717.3055	Rubber Handle Grip
	453.2110	Pack of 100 3mm Needles (Chisel Tip)	19	717.3501	Cover Grip
	453.1110	Pack of 100 3mm Needles (Flat Tip)	20	624.3001	Handle Tube
	453.3110	Pack of 100 3mm Needles (Pointed Tip)	21	623.3001	Centre Tube
	453.1310	Pack of 100 3mm Needles (Beryllium Copper)	22	625.3001	Locknut
	444.2107	Pack of 500 4mm Needles (Chisel Tip)	23	810.9000	Sealing Washer
	444.1107	Pack of 500 4mm Needles (Flat Tip)			
	444.3107	Pack of 500 4mm Needles (Pointed Tip)	Long Reach components (Lite tool)		
	454.2105	Pack of 50 4mm Needles (Chisel Tip)	14	425.3498	4' Lite Cover
	454.1105	Pack of 50 4mm Needles (Flat Tip)		425.3598	5' Lite Cover
	454.3105	Pack of 50 4mm Needles (Pointed Tip)		425.3698	6' Lite Cover
27	712.3001	Compression Spring	19	717.3501	Cover Grip
28	416.3132	Intermediate Tube	21	627.3598	Threaded Adapter