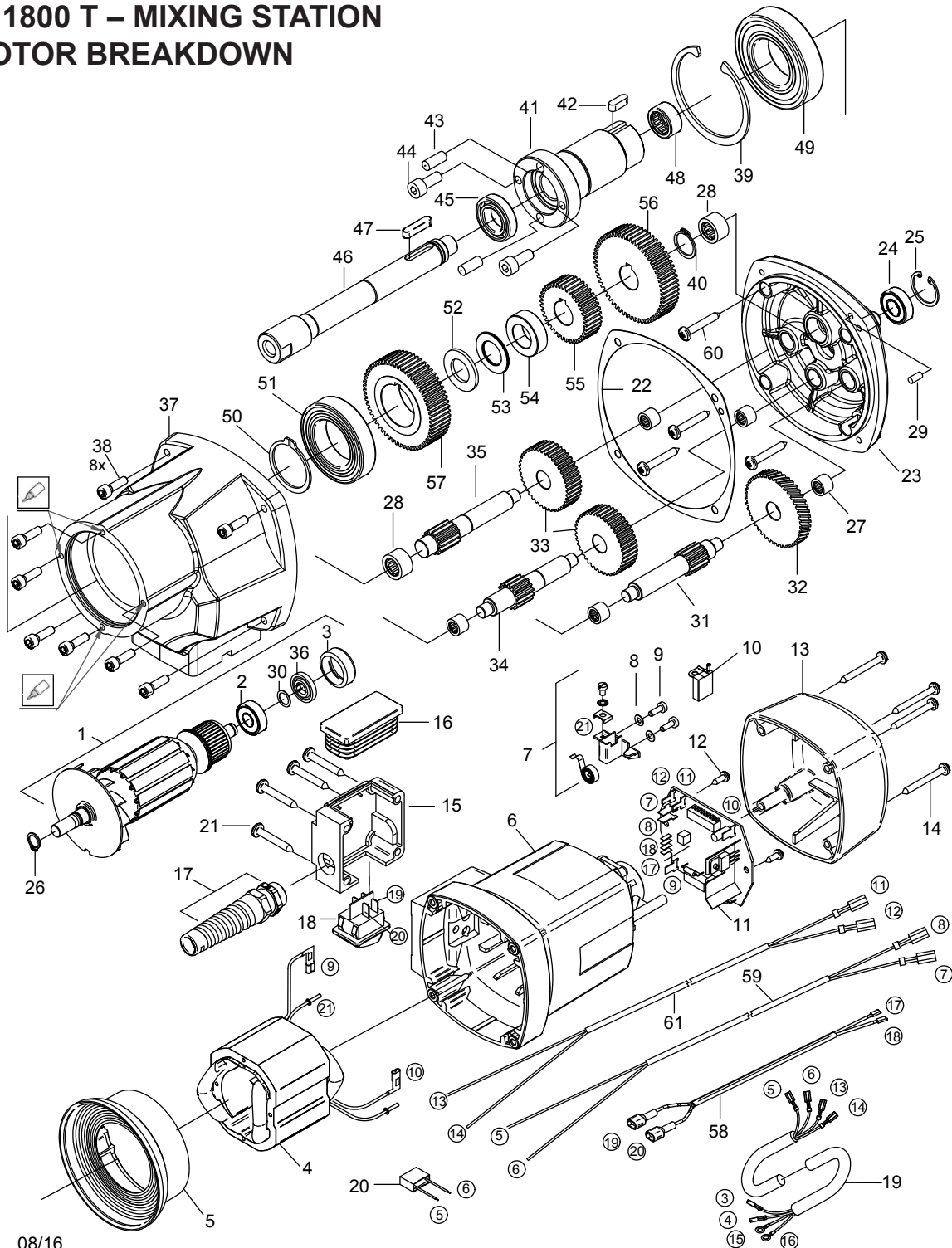


PLEASE SPECIFY TOOL MODEL # WHEN ORDERING PARTS

<b>PARTS BREAKDOWN</b>	<b>Model #:</b> TwinMix 1800 T	<b>Bulletin #:</b> 03-2020
<b>PARTS LISTING</b>	<b>Description:</b> Portable Mixing Station	<b>Prepared By:</b> JCN
	<b>Date:</b> 3/27/2020	

## TwinMix 1800 T – MIXING STATION MOTOR BREAKDOWN

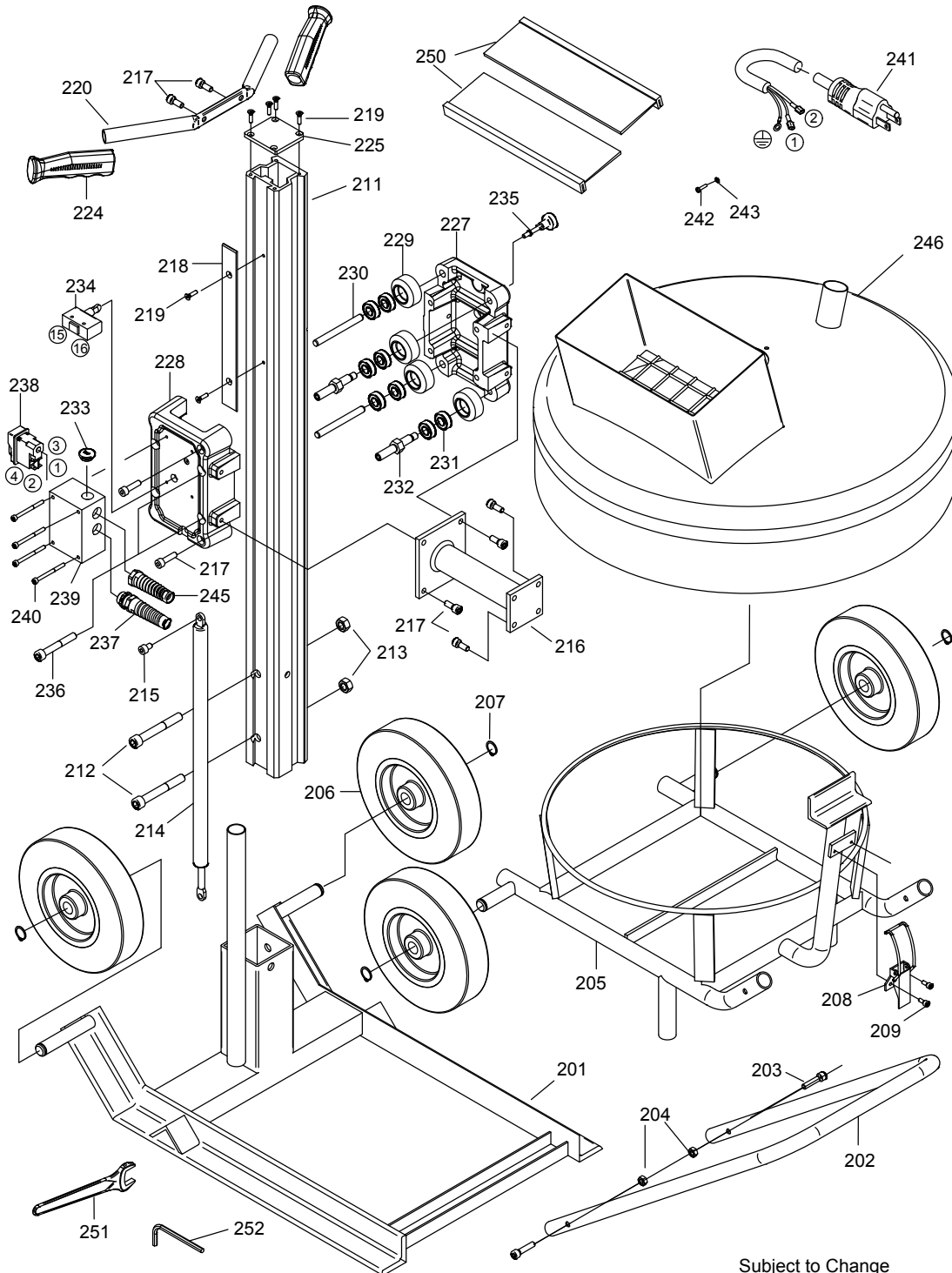


08/16

PLEASE SPECIFY TOOL MODEL # WHEN ORDERING PARTS

<b>PARTS BREAKDOWN</b>	<b>Model #:</b> TwinMix 1800 T	<b>Bulletin #:</b> 03-2020
<b>PARTS LISTING</b>	<b>Description:</b> Portable Mixing Station	<b>Prepared By:</b> JCN
	<b>Date:</b> 3/27/2020	

## TwinMix 1800 T – MIXING STATION FRAME/STAND BREAKDOWN



Subject to Change



**PLEASE SPECIFY TOOL MODEL # WHEN ORDERING PARTS**

<b>PARTS BREAKDOWN</b>	Model #: TwinMix 1800 T	Bulletin #: 03-2020
<b>PARTS LISTING</b>	Description: Portable Mixing Station	Prepared By: JCN
	Date: 3/27/2020	

### TwinMix 1800 T – PARTS LIST

#### TwinMix 1800 T – 110 V

No.	Order No.	Description	Pcs	No.	Order No.	Description	Pcs	No.	Order No.	Description	Pcs
1	7152E100	rotor complete	1	39	80201547	locking ring 80x2.5	1	215	80201129	screw M8x16	1
2	80410021	grooved ball bearing 6000 2Z	1	40	80201324	locking ring 20/1.2	1	216	77621770	handle	1
3	83000031	bearing cap	1	41	77621600	hollow shaft	1	217	80201147	screw M8x20	12
4	77622150	stator complete	1	42	80200618	fitting key B6x6x20A	1	218	77621755	plate	1
5	71540144	air guiding ring	1	43	80201645	cylinder pin 8m6x20	2	219	80201168	thread sleeve M5x20	6
6	80900042	motor housing	1	44	80201147	screw M8x20	2	220	77621695	handle	1
7	80201199	brush holder	2	45	80410152	grooved ball bearing 6904 2RS	1				
8	80201385	lock washer B4	4	46	77621420	work spindle	1	224	83000006	rubber handle	1
9	80201180	self tapping screw CM4x12	4	47	80200614	fitting key 6x6x28	1	225	796UN920	column cover	1
10	80700019	carbon brush 6.3x16x20L82F10	2	48	80420150	needle sleeve HK 2012	1	226			
11	77622280	PCB / circuit board	1	49	80410142	grooved ball bearing 6208 2RS	1	227	77621760	slide right	1
12	80201252	self tapping screw HC 2.9x13	2	50	80201348	locking ring 40/1.75	1	228	77621765	slide left	1
13	80900189	cap	1	51	80410075	grooved ball bearing 6008 2RS	1	229	796R1763	roller	4
14	80201267	self tapping screw HC 4.8x45	4	52	80420166	bearing cover LS 2035	1	230	40600094	cylinder pin 12m6x80	2
15	77622630	switch box 1	1	53	80420041	axial bearing AXK 2035	1	231	80410036	grooved ball bearing 6001 2RS	8
16	80900249	plug	1	54	77621585	spacer	1	232	77621740	shaft	2
17	80600179	cable guard M20x1.5	1	55	77621440	intermediate wheel 3	1	233	80600177	cap screw	1
18	77621360	switch	1	56	77621480	intermediate wheel 2	1	234	80600562	switch	1
19	77622340	intermediate cable	1	57	77621450	intermediate wheel 5	1	235	85000191	spindle lock pin M16	1
20	80500010	anti parasite condenser	1	58	77314187	control wire	1	236	80201243	screw M10x70	4
21	80201292	self tapping screw HC 5.5x38	4	59	7152B184	interconnecting wire	1	237	80600179	cable guard M20x1.5	2
22	77621620	gearbox seal	1	60	80201291	self tapping screw HC 5.5x32	4	238	80600514	switch	1
23	77621610	end shield of gearing	1	61	77622187	interconnecting wire	1	239	77622720	switch box 2	1
24	80410031	grooved ball bearing 6001 2Z	1					240	80201368	lens head screw M5x60	4
25	80201333	locking ring 28/1.2	1	201	77621810	sub-frame	1	241	80600265	connecting cable	1
26	80201320	locking ring 11/1	1	202	77621830	bow handle	1	242	80201201	lens head screw HM 4x10	1
27	80420115	needle sleeve HK 1010	5	203	80201161	allen screw M8x40	2	243	80200752	tooth lock washer A4.3	1
28	80420143	needle sleeve HK 1512	2	204	80201221	hexagonal nut M8	2	244			
29	80200584	notched pin plug 5x12	1	205	77621840	frame	1	245			
30	80200998	disc presspan	1	206	40600060	wheel	4	246	77621650	hood	1
31	77621490	intermediate shaft 1	1	207	80201324	locking ring 20/1.2	8	247			
32	77621430	intermediate wheel 1	1	208	80430027	fastener	1	248			
33	77621470	intermediate wheel 4	2	209	80201230	screw M5x12	2	249			
34	77621500	intermediate shaft 2	1	210				250	77621675	brush strip	2
35	77621510	intermediate shaft 3	1	211	77621750	column	1	251	80430045	spanner SW 13	1
36	80701004	ring magnet	1	212	40600093	screw M12x90	2	252	80430043	spanner SW6	1
37	77621400	gearbox housing	1	213	80201014	hexagonal nut M12	2				
38	80201125	allen screw M6x25	8	214	80203005	gas-loaded spring	1				