



# Ultra-Set<sup>®</sup> Advanced

**WATERPROOFING, SOUND REDUCING  
AND ANTI-FRACTURE MEMBRANE**

## KEY FEATURES

- High performance urethane formula
- Bridges cracks up to 1/8"
- Interior and exterior use, horizontal and vertical installations

## DESCRIPTION

Ultra-Set<sup>®</sup> Advanced is a tenacious, one-part, trowel applied, elastomeric waterproofing/crack/sound isolation membrane and setting adhesive. Use Ultra-Set<sup>®</sup> Advanced as a waterproofing, crack, and sound isolation membrane over properly prepared concrete; structurally-sound, exterior grade plywood (interior/dry use only); cementitious backer board; and existing, well-bonded vinyl/VCT or ceramic tile; prior to the installation of ceramic or stone tile. Ultra-Set<sup>®</sup> Advanced may be used with gypsum based underlayments in dry, above grade installations with minimum compressive strengths of 2,000 psi. Follow applicable TCNA specifications for installation of tile over poured gypsum underlayments. Use Ultra-Set<sup>®</sup> Advanced as a setting adhesive for ceramic or stone tiles over properly prepared concrete; structurally-sound, exterior grade plywood (interior/dry use only); cementitious backer board and existing, well-bonded vinyl/VCT or ceramic tile.

Ultra-Set<sup>®</sup> Advanced was independently tested in a controlled laboratory environment to measure the IIC (Impact Insulation Class) according to ASTM E492-04 and E989-89 and STC (Sound Transmission Class) according to ASTM E90-04 and E413-04 installed over 6 inch (152 mm) Concrete Slab Floor-Ceiling Assembly with Suspended 5/8" Gypsum Board Ceiling with Quarry Tile on Bostik Ultra-Set<sup>®</sup> Advanced Membrane.

## WHERE TO USE

Interior/exterior floors and walls.

## DIRECTIONS FOR USE

Read and understand technical and safety data sheets completely before beginning installation. Follow applicable ANSI, NTCA and TCNA installation standards. Refer to [www.bostik-us.com](http://www.bostik-us.com) for the most recent product information and safety data sheet prior to installation.



## TYPICAL PHYSICAL PROPERTIES

| Attribute                   | Results                         |
|-----------------------------|---------------------------------|
| VOC Content                 | 135 g/L                         |
| Color                       | White                           |
| Weight                      | 14.1 lbs/gal                    |
| Hardness                    | 45 Shore A Type                 |
| Flash Point                 | 145°F (62.7°C)                  |
| Modulus at Break            | 180 psi                         |
| Elongation                  | 600%                            |
| Cure Time                   | 6 to 12 hours                   |
| <b>Service Temperature:</b> |                                 |
| - Normal Use                | -20°F to 140°F (-6.6°C to 60°C) |
| - Continuous Emersion       | 120°F maximum (48.8°C)          |
| Flame Spread Index          | 5                               |

## 6-INCH (152 MM) CONCRETE FLOOR-CEILING ASSEMBLY WITH 5/8" GYPSUM BOARD CEILING

### Quarry Tile on Bostik Ultra-Set® Advanced Membrane

|  |        |
|--|--------|
| Impact Insulation Class IIC              | = 70dB |
| Sound Transmission Class STC             | = 74dB |
| Increase in Impact Insulation Class ΔIIC | = 7dB  |

## 6-INCH (152 MM) CONCRETE FLOOR-NO GYPSUM BOARD CEILING

### Quarry Tile on Bostik Ultra-Set® Advanced Membrane

|  |        |
|--|--------|
| Impact Insulation Class IIC              | = 33dB |
| Sound Transmission Class STC             | = 54dB |
| Increase in Impact Insulation Class ΔIIC | = 7dB  |

### SURFACE PREPARATION

All surfaces must be structurally sound, clean, free of dust, dirt, oil, grease, water, curing compounds, sealers, waxes or any contaminants that may inhibit proper bond. TCNA recommends roughing or scarifying glazed tile substrates.

**NOTE:** It is the user's responsibility to determine the condition and suitability of all surfaces before application.

**Prior to application of membrane:** All cracks (1/8" or less), coves, corners, drains, pipes, etc. should be treated by applying Ultra-Set® Advanced with the notched-side of a 3/16" x 5/32" V-notch trowel. Immediately embed a 2" wide fiberglass mesh tape into the fresh material with the flat side of the trowel to achieve a flat, reinforced, uniformly thick membrane (30-mil. minimum). A minimum 6" wide coat should be applied to both sides of the joint, crack, or intersection.

All cracks greater than 1/8" should be treated, by inserting a backer rod, bond breaker tape or, fill the crack/joint with Ultra-Set® Advanced or Bostik 915FS™ urethane sealant. Apply Ultra-Set® Advanced with the notched-side of a 3/16" x 5/32" V-notch trowel. Immediately embed a 2" wide fiberglass tape into the fresh material with the flat side of the trowel to achieve a flat, uniformly thick membrane (30-mil. minimum). A minimum 6" wide coat should be applied to both sides of the joint/crack.

### APPLICATION

**For waterproofing, noise reduction, and crack isolation:** Apply Ultra-Set® Advanced using the notched side of a 3/16" x 5/32" V-notch trowel, immediately smooth material with flat side of trowel to achieve a flat, uniformly thick membrane with a minimum wet thickness of 30-mil (thickness of a drivers license).

**As an anti-fracture/crack isolation membrane:** Apply Ultra-Set® Advanced using the notched side of a 3/16" x 5/32" V-notch trowel. Immediately smooth material with flat side of trowel to achieve a flat, uniformly thick membrane with a minimum wet thickness of 30-mil (thickness of a drivers license). The membrane should be applied to both sides of the crack/joint a minimum of the width of the tile being installed (i.e. a 12" tile should have a minimum 24" wide membrane).

**As a setting adhesive:** Due to its tremendous diversity, apply Ultra-Set® Advanced according to Bostik's current published literature, or consult Bostik's Technical Service Department for application instructions.

### COVERAGE

50 square feet per gallon.

### CLEAN-UP

Clean all tools and equipment immediately with Bostik's Ultimate™ Adhesive Remover or mineral spirits before material cures. Cured urethane is difficult to remove. For cured material, use Bostik's Ultimate™ Adhesive Remover.

### CURING

Keep all traffic off the installation until material cures (approximately 6-12 hours). Set times are dependent upon temperature and humidity.

### TILE INSTALLATION

Install ceramic tile or stone with Bostik Reflex™, Glass-Mate™, Big Tile & Stone™, Single Flex®, Single Flex® FS, Bostik PM™; and Tile-Mate® Premium or TileMate® Floor & Wall mixed with Bostik 425™ Multi-Purpose Acrylic Latex Admixture or Flex-A-Lastic®; EzPoxy™ EzClean™ 100% Solids Epoxy, or Bostik 1900™ Epoxy Modified Grout & Mortar Admixture. Follow applicable ANSI, TCNA & NTCA installation standards.

### LIMITATIONS

- Ultra-Set® Advanced is not designed to be a wear surface.
- It must be covered with approved flooring materials using approved application methods.
- Ultra-Set® Advanced is a "positive" waterproofing membrane only. Do not use where hydrostatic/negative water pressure can occur.
- Ultra-Set® Advanced is not intended to reduce sub-floor moisture or moisture vapor transmission.
- Ultra-Set® Advanced is not designed for use in joints/cracks with dynamic movement (i.e. expansion, isolation, or construction joints).
- As a waterproofing/anti-fracture/sound reduction membrane Ultra-Set® Advanced is designed for movement of 1/8", or less.
- If Ultra-Set® Advanced is exposed to excessive moisture while curing, membrane may exhibit bubbles or pinholes.
- When used as a waterproofing membrane, fill any pinholes or voids with a second coat of Ultra-Set® Advanced. If pinholes are excessive, cut-out affected area and replace with fresh material.
- Do not apply over surfaces below 50°F (10°C).
- Total thickness of material should not exceed 1/16 in. (60 mil).
- Do not install over wet, contaminated or friable substrates.
- Do not use to bridge expansion joints.
- Do not use over cushion backed or perimeter bonded sheet vinyl flooring.
- Do not use beneath Vinyl or VCT flooring.
- Do not apply over oriented strand board, particle board, masonite, luaun, or similar unstable substrates.
- Due to the limitations of plywood as a substrate, Ultra-Set® Advanced is not intended for use on plywood in exterior, wet interior, or applications subject to heavy/commercial traffic.

### PACKAGING

- 2 gallon pails
- 5 gallon pails
- 20 oz. sausages foils, 12 per case.

## TEST RESULTS ANSIA118.10

### Bonded waterproof membrane below thin set, tile and dimension stone installations

|                               |                |         |
|-------------------------------|----------------|---------|
| 4.1 Fungus Micro Organism     | Resists        | Pass    |
| 4.2 Seam Strength             | 8 lbs per inch | > 8 lb  |
| 4.3 Break Strength            | 170 psi        | 194 psi |
| 4.4 Dimensional Stability     | ---            | Pass    |
| 4.5 ASTM D9068 Waterproofness | ---            | Pass    |

## WARNING

CONTENTS HARMFUL IF SWALLOWED OR INHALED. CONTAINS POTENTIAL SENSITIZER. MAY CAUSE ALLERGIC SKIN OR LUNG REACTION. MAY IRRITATE EYES, SKIN AND RESPIRATORY TRACT. Do not breathe fumes. Do not get in eyes, on skin or on clothing. Use with adequate ventilation or wear mask. Wash thoroughly after handling. Store container in a cool, dry area with lid tightly sealed. Do not reuse container.

## KEEP OUT OF REACH OF CHILDREN

## FIRST AID TREATMENT

Contains Calcium Carbonate, Petroleum Resins, Mineral Spirits, Diisodecyl Phthalate (DIDP), Methylene Diphenyl Diisocyanate (MDI), Stearic Acid, Isophorone Diisocyanate (IPDI), Quartz Silica and Dibutyltin Dilaurate inextricably bound in a polymer matrix.

If in eyes or on skin, rinse with water for at least 15 minutes. If breathed in, move person to fresh air. If swallowed, call a Poison Control Center or doctor immediately. Do not induce vomiting.

VOC 135 g/L (as calculated per SCAQMD 1168)

## LIMITED WARRANTY

Limited Warranty found at [www.bostik-us.com](http://www.bostik-us.com) or call 800.726.7845. TO THE MAXIMUM EXTENT ALLOWED BY LAW, BOSTIK DISCLAIMS ALL OTHER EXPRESS OR IMPLIED WARRANTIES, INCLUDING WITHOUT LIMITATION WARRANTIES OF MERCHANTABILITY AND FITNESS FOR A PARTICULAR PURPOSE. UNLESS OTHERWISE STATED IN THE LIMITED WARRANTY, THE SOLE REMEDY FOR BREACH OF WARRANTY IS REPLACEMENT OF THE PRODUCT OR REFUND OF THE BUYER'S PURCHASE PRICE. BOSTIK DISCLAIMS ANY LIABILITY FOR DIRECT, INCIDENTAL, CONSEQUENTIAL, OR SPECIAL DAMAGES TO THE MAXIMUM EXTENT ALLOWED BY LAW. DISCLAIMERS OF IMPLIED WARRANTIES MAY NOT BE APPLICABLE TO CERTAIN CLASSES OF BUYERS AND SOME STATES DO NOT ALLOW THE EXCLUSION OR LIMITATION OF INCIDENTAL OR CONSEQUENTIAL DAMAGES, SO THE ABOVE LIMITATIONS MAY NOT APPLY TO YOU. It is the buyer's obligation to test the suitability of the product for an intended use prior to using it. The Limited Warranty extends only to the original purchaser and is not transferable or assignable. Any claim for a defective product must be filed within 30 days of discovery of a problem, and must be submitted with written proof of purchase.

FIGURE 1

### Waterproofing/Anti-fracture Membrane Ceramic Tile Floors

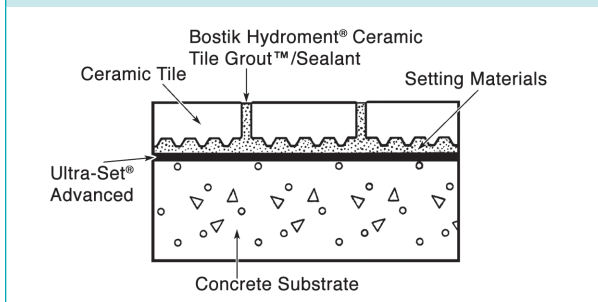


FIGURE 2

### Waterproofing/Anti-fracture Membrane Ceramic Tile Floors

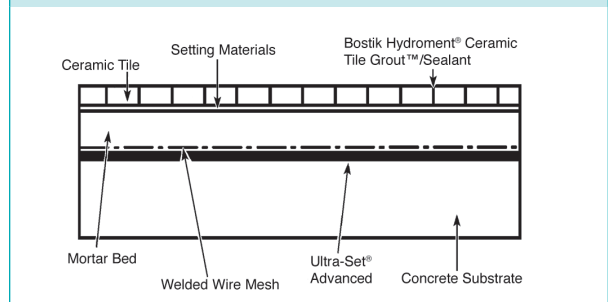


FIGURE 3

### Shower Drain Detail With Sand/Cement Pre-Float

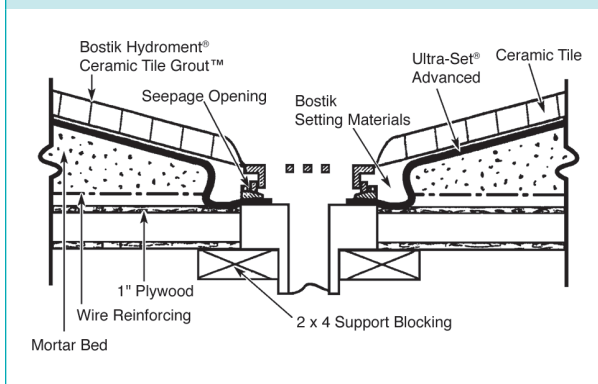
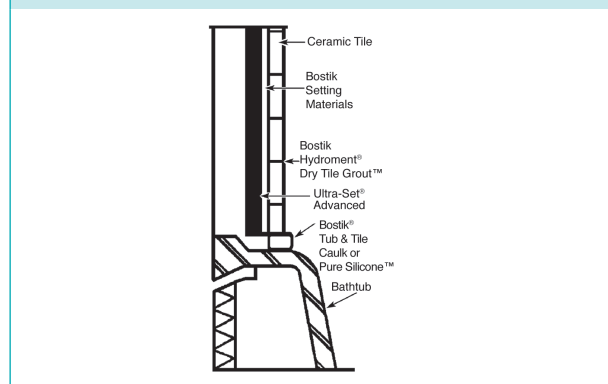


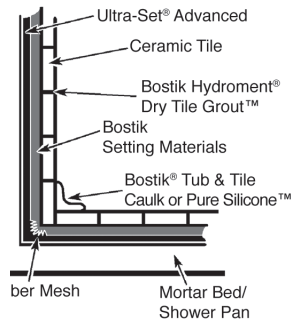
FIGURE 4

### Bathtub Walls



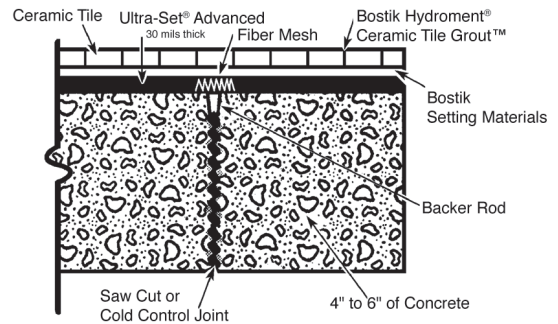
**FIGURE 5**

**Shower Stall Wall**



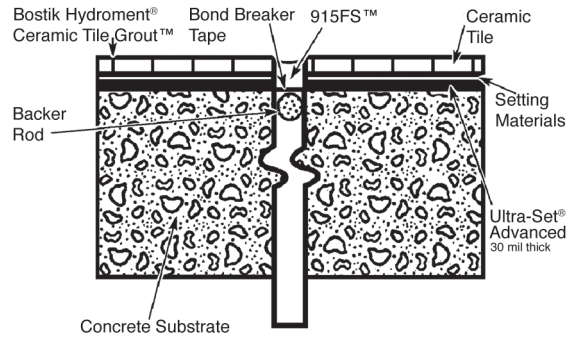
**FIGURE 6**

**Interior Control Joint Treatment**



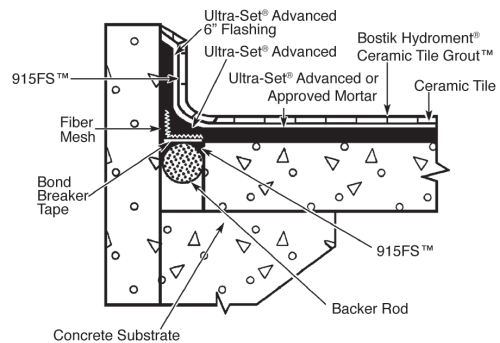
**FIGURE 7**

**Expansion Joint Treatment**



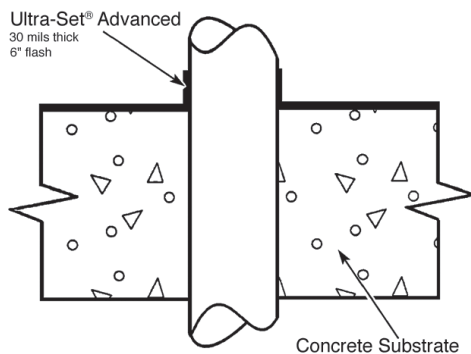
**FIGURE 8**

**Treatment of Isolation Joints (columns, pillars, walls, etc.)**



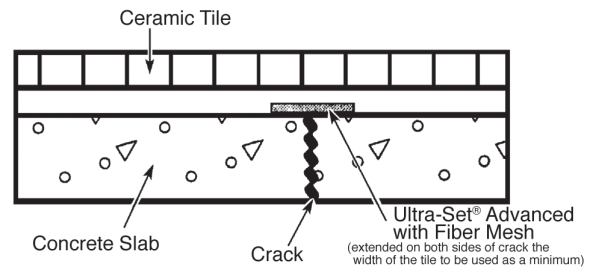
**FIGURE 9**

**Treatment of Metal Penetration (pipe, vent, etc.)**



**FIGURE 10**

**Interior Crack Treatment Less Than 1/8"**



**BOSTIK HOTLINE**

**Smart help™**  
**1-800-726-7845**

**Bostik, Inc.**  
11320 W. Watertown Plank Road  
Wauwatosa, WI 53226  
[www.bostik-us.com](http://www.bostik-us.com)



This document supersedes all previously published literature.