



**WACKER
NEUSON**
all it takes!

Operator's Manual

Vibration Plate

APS



Machine Type	APS1030, APS1135, APS1340, APS1550, APS2050
Material Number	5100060593
Version	4
Date	02/2022
Language	[en]



5 1 0 0 0 6 0 5 9 3

Imprint

Publisher and copyright holder:

Wacker Neuson Produktion GmbH & Co. KG

Wackerstraße 6

85084 Reichertshofen, Germany

Registered office: Reichertshofen

Register court and number: Local Court Ingolstadt, HRA3195

VAT ID No./VAT Number: DE277138620

Telephone: +49 (0) 8453-3403200

www.wackerneuson.com

Original operator's manual

All rights reserved, in particular the copyright, the right of reproduction and the right of distribution applicable worldwide.

This document may be used by the recipient only for the designated purpose. It may in no way be duplicated or translated in any other language, in whole or in part, without prior permission in writing from the manufacturer.

Reproduction or translation of this publication, in whole or part, is not permitted without the written consent of Wacker Neuson Produktion GmbH & Co. KG.

Violations of legal regulations, in particular of the copyright protection, will be subject to civil and criminal prosecution.

Wacker Neuson Produktion GmbH & Co. KG reserves the right to change its products and their technical specifications for further technical development at any time without any claim to changes to machines already delivered. The information in the technical documentation supplied with the product applies in each case.

The machine on the cover is for illustration purposes only and may therefore have special equipment (options).

Wacker Neuson Produktion GmbH & Co. KG, responsibility for errors or omissions not accepted, printed in Germany

Copyright © 2022

Contents

1	EC Declaration of Conformity	
2	EC Declaration of Conformity	
3	EC Declaration of Conformity	
4	Foreword	
4.1	Introduction	14
4.2	Storage Location of the Operator's Manual	14
4.3	Accident Prevention Regulations	15
4.4	Contact person	15
4.5	Limitation of liability	16
4.6	Use of the operator's manual	16
5	Usage	
5.1	Designated use	18
5.2	Unintended use	18
6	Safety	
6.1	Safety symbols and signal words	19
6.2	Principle	19
6.3	Structural changes	20
6.4	Responsibility of the operator	20
6.5	Obligations of the operator	21
6.6	Qualification of staff	21
6.7	General safety instructions	21
6.8	General safety instructions for power tools	22
6.9	Specific safety instructions for vibration plates	25
6.10	Specific rechargeable-battery-related safety instructions	27
6.11	Specific charger-related safety instructions	29
6.12	Safety features	30
6.13	Maintenance	31
7	Description of the Machine	
7.1	Scope of delivery	32
7.2	Type plates and labels	32
7.3	Components	36
7.4	Control elements	36
7.5	Components and control elements accumulator	37
7.6	Components and operator's controls battery charger	38
8	Transportation	
8.1	Safety instructions for transport	39
8.2	Prerequisites and preparations	39
8.3	Lifting the machine	40

8.4	Lashing the machine	41
8.5	Packing and transporting rechargeable battery	41
8.6	Transporting battery charger	42
9	Commissioning	
9.1	Safety instructions for operation	43
9.2	Tests before commissioning	44
9.3	Charge the rechargeable battery	44
9.4	Install the rechargeable battery	45
9.5	Putting into operation	46
10	Operation	
10.1	Operating the machine	47
10.2	Check charge state of rechargeable battery	47
10.3	Taking the rechargeable battery out of operation	47
11	Maintenance	
11.1	Safety instructions for maintenance	49
11.2	Maintenance plan	50
11.3	Maintenance work	51
12	Troubleshooting	
12.1	Troubleshooting machine	52
12.2	Troubleshooting rechargeable battery	53
12.3	Troubleshooting battery charger	53
13	Shutdown	
13.1	Temporary decommissioning	54
13.2	Final shutdown	55
14	Accessories	
14.1	Accessories	57
15	Technical Data	
15.1	General instructions	59
15.2	Noise and vibration data	59
15.3	APS	59
15.4	Rechargeable battery	63
15.5	Battery charger	65



EU Declaration of Conformity

Manufacturer

Wacker Neuson Produktion GmbH & Co. KG, Wackerstraße 6, D-85084 Reichertshofen
This declaration of conformity is issued under the sole responsibility of the manufacturer.

Product	APS1030
Product type	Vibratory plate
Function of product	Soil compaction
Material number	5100058917, 5100059660
Net installed power	1,2 kW
Measured sound power level	99 dB(A)
Guaranteed sound power level	105 dB(A)

Conformity assessment procedure

2000/14/EC, Annex VIII

Notified body

TÜV Rheinland LGA Products GmbH, Tillystr. 2, D-90431 Nürnberg (NB 0197)

Guidelines and standards

We hereby declare that this product complies with the relevant provisions and requirements of the following directives and standards:

2006/42/EC, 2000/14/EC, 2014/30/EU, EN 500-1:2006 + A1:2009, EN 500-4:2011, EN ISO 13766-1:2018

Person responsible for technical documents

Wacker Neuson Produktion GmbH & Co. KG, Wackerstraße 6, D-85084 Reichertshofen

Reichertshofen, 17.02.2022

Helmut Bauer
Managing Director



EU Declaration of Conformity

Manufacturer

Wacker Neuson Produktion GmbH & Co. KG, Wackerstraße 6, D-85084 Reichertshofen
This declaration of conformity is issued under the sole responsibility of the manufacturer.

Product	APS1135
Product type	Vibratory plate
Function of product	Soil compaction
Material number	5100059661, 5100059664
Net installed power	1,2 kW
Measured sound power level	98 dB(A)
Guaranteed sound power level	105 dB(A)

Conformity assessment procedure

2000/14/EC, Annex VIII

Notified body

TÜV Rheinland LGA Products GmbH, Tillystr. 2, D-90431 Nürnberg (NB 0197)

Guidelines and standards

We hereby declare that this product complies with the relevant provisions and requirements of the following directives and standards:

2006/42/EC, 2000/14/EC, 2014/30/EU, EN 500-1:2006 + A1:2009, EN 500-4:2011, EN ISO 13766-1:2018

Person responsible for technical documents

Wacker Neuson Produktion GmbH & Co. KG, Wackerstraße 6, D-85084 Reichertshofen

Reichertshofen, 17.02.2022

Helmut Bauer
Managing Director



EU Declaration of Conformity

Manufacturer

Wacker Neuson Produktion GmbH & Co. KG, Wackerstraße 6, D-85084 Reichertshofen
This declaration of conformity is issued under the sole responsibility of the manufacturer.

Product	APS1340
Product type	Vibratory plate
Function of product	Soil compaction
Material number	5100060128, 5100059663
Net installed power	1,2 kW
Measured sound power level	100 dB(A)
Guaranteed sound power level	105 dB(A)

Conformity assessment procedure

2000/14/EC, Annex VIII

Notified body

TÜV Rheinland LGA Products GmbH, Tillystr. 2, D-90431 Nürnberg (NB 0197)

Guidelines and standards

We hereby declare that this product complies with the relevant provisions and requirements of the following directives and standards:

2006/42/EC, 2000/14/EC, 2014/30/EU, EN 500-1:2006 + A1:2009, EN 500-4:2011, EN ISO 13766-1:2018

Person responsible for technical documents

Wacker Neuson Produktion GmbH & Co. KG, Wackerstraße 6, D-85084 Reichertshofen

Reichertshofen, 17.02.2022

Helmut Bauer
Managing Director



EU Declaration of Conformity

Manufacturer

Wacker Neuson Produktion GmbH & Co. KG, Wackerstraße 6, D-85084 Reichertshofen
This declaration of conformity is issued under the sole responsibility of the manufacturer.

Product	APS1550, APS2050
Product type	Vibratory plate
Function of product	Soil compaction
Material number	5100061219, 5100061220, 5100061221, 5100061222
Net installed power	1,2 kW
Measured sound power level	104 dB(A)
Guaranteed sound power level	105 dB(A)

Conformity assessment procedure

2000/14/EC, Annex VIII

Notified body

TÜV Rheinland LGA Products GmbH, Tillystr. 2, D-90431 Nürnberg (NB 0197)

Guidelines and standards

We hereby declare that this product complies with the relevant provisions and requirements of the following directives and standards:

2006/42/EC, 2000/14/EC, 2014/30/EU, EN 500-1:2006 + A1:2009, EN 500-4:2011, EN ISO 13766-1:2018

Person responsible for technical documents

Wacker Neuson Produktion GmbH & Co. KG, Wackerstraße 6, D-85084 Reichertshofen

Reichertshofen, 17.02.2022

Helmut Bauer
Managing Director



UK Declaration of Conformity

Manufacturer

Wacker Neuson Produktion GmbH & Co. KG, Wackerstraße 6, D-85084 Reichertshofen
This declaration of conformity is issued under the sole responsibility of the manufacturer.

Product	BP500, BP1000, BP1400
Product type	Accumulator
Function of product	Power supply
Material number	5100025709, 5100048620, 5100060982

Guidelines and standards

We hereby declare that this product complies with the relevant provisions and requirements of the following directives and standards:

SI 2017 No. 1206, EN 62841-1:2015 + AC:2015, EN 301 489-1 V1.9.2, EN 300 328 V2.2.2

Person responsible for technical documents

Andy Williams (Operations Manager)
Wacker Neuson Ltd
WN Place, Beacon Way, Stafford ST18 0DG

Reichertshofen, Germany, 03.02.2022

Helmut Bauer
Managing Director





EU Declaration of Conformity

Manufacturer

Wacker Neuson Produktion GmbH & Co. KG, Wackerstraße 6, D-85084 Reichertshofen
This declaration of conformity is issued under the sole responsibility of the manufacturer.

Product	BP500, BP1000, BP1400
Product type	Accumulator
Function of product	Power supply
Material number	5100025709, 5100048620, 5100060982

Guidelines and standards

We hereby declare that this product complies with the relevant provisions and requirements of the following directives and standards:

2014/53/EU, EN 62841-1:2015 + AC:2015 , EN 301 489-1 V1.9.2 , EN 300 328 V2.2.2

Person responsible for technical documents

Wacker Neuson Produktion GmbH & Co. KG, Wackerstraße 6, D-85084 Reichertshofen

Reichertshofen, 03.02.2022

Helmut Bauer
Managing Director



UK Declaration of Conformity

Manufacturer

Wacker Neuson Produktion GmbH & Co. KG, Wackerstraße 6, D-85084 Reichertshofen
This declaration of conformity is issued under the sole responsibility of the manufacturer.

Product	BP500, BP1000, BP1400
Product type	Accumulator
Function of product	Power supply
Material number	5100025709, 5100048620, 5100060982

Guidelines and standards

We hereby declare that this product complies with the relevant provisions and requirements of the following directives and standards:

SI 2017 No. 1206, EN 62841-1:2015 + AC:2015, EN 301 489-1 V1.9.2, EN 300 328 V2.2.2

Person responsible for technical documents

Andy Williams (Operations Manager)
Wacker Neuson Ltd
WN Place, Beacon Way, Stafford ST18 0DG

Reichertshofen, Germany, 03.02.2022

Helmut Bauer
Managing Director





UK Declaration of Conformity

Manufacturer

Wacker Neuson Produktion GmbH & Co. KG, Wackerstraße 6, D-85084 Reichertshofen
This declaration of conformity is issued under the sole responsibility of the manufacturer.

Product	C48/4
Product type	Battery Charger
Function of product	Charging the battery
Material number	5100006221

Guidelines and standards

We hereby declare that this product complies with the relevant provisions and requirements of the following directives and standards:

SI 2016 No. 1101, SI 2016 No. 1091, SI 2012 No. 3032, EN 55014-1:2017 + A11:2020 , EN 55014-2:2015, EN 60335-1:2012 + AC:2014 + A11:2014 + A13:2017 + A1:2019 + A14:2019 + A2:2019, EN 60335-2-29:2004 + A2:2010 + A11:2018

Person responsible for technical documents

Andy Williams (Operations Manager)
Wacker Neuson Ltd
WN Place, Beacon Way, Stafford ST18 0DG

Reichertshofen, Germany, 03.02.2022

Helmut Bauer
Managing Director





EU Declaration of Conformity

Manufacturer

Wacker Neuson Produktion GmbH & Co. KG, Wackerstraße 6, D-85084 Reichertshofen
This declaration of conformity is issued under the sole responsibility of the manufacturer.

Product	C48/4
Product type	Battery Charger
Function of product	Charging the battery
Material number	5100006221

Guidelines and standards

We hereby declare that this product complies with the relevant provisions and requirements of the following directives and standards:

2014/35/EU, 2014/30/EU, 2011/65/EU, EN 55014-1:2017 + A11:2020, EN 55014-2:2015, EN 60335-1:2012 + AC:2014 + A11:2014 + A13:2017 + A1:2019 + A14:2019 + A2:2019, EN 60335-2-29:2004 + A2:2010 + A11:2018

Person responsible for technical documents

Wacker Neuson Produktion GmbH & Co. KG, Wackerstraße 6, D-85084 Reichertshofen

Reichertshofen, 03.02.2022

Helmut Bauer

Managing Director

4 Foreword

4.1 Introduction

This operator's manual contains important information and procedures for the safe, proper and economical operation of this machine. Careful reading, understanding and observing it helps to avoid hazards, reduce repair costs and downtimes and thus increase the availability and service life of the machine.

This operator's manual is not a manual for extensive maintenance or repair work. Such work must be carried out by the service partner or by technically trained personnel. The machine must be operated and maintained in accordance with the instructions in this operator's manual. Improper operation or maintenance can cause hazards.

Defective machine parts must be replaced immediately!

The manufacturer is always available to answer questions on operation or maintenance.

4.2 Storage Location of the Operator's Manual

This operator's manual must be kept in the immediate vicinity of the machine and accessible to personnel at all times.

If a second copy of this operator's manual is lost or required, the following options are available for obtaining a replacement:

- On the Internet at <http://www.wackerneuson.com>.
- Contact the manufacturer.

4.2.1 Understanding These Instructions

This section helps to understand the operator's manual and the illustrations used therein.

Target group



People working with this machine must be regularly trained with regard to the dangers and risks occurring when using this machine.

This operator's manual is aimed at:

- Operating personnel:
 - These people have been instructed in working with the machine and about possible dangers and risks arising due to improper behavior.
- Technically trained personnel:
 - These people have a professional training as well as additional knowledge and experience. They are capable of assessing the tasks assigned to them and recognizing any possible risks and dangers.

Explanation of symbols

Symbol	Explanation
1., 2., 3...	Indicates an activity. The sequence of the steps must be observed.

Symbol	Explanation
⇒	Indicates a result or an intermediate result of an action.
✓	Indicates prerequisites that must be established for the activity.
•	Indicates a list, e.g. if several components are named one after the other.
-	Indicates a sub-list, e.g. if components consist of further components
Ⓛ	Identifies a position, usually a component or control element, in a graphic. The numbering may be sequential or in Roman numerals.
1; A	Indicates the naming of components in explanatory texts. It is identical with the adjacent positions in the illustrations.
 	Indicates a direction of movement or different positions for switches.
▶	Indicates the avoidance of hazards in warning notices.
[▶52]	Indicates a cross-reference in tables. Here e.g. reference to page 52

4.2.1.1 Explanation of symbols

The symbols used in the operator's manual are explained below. The symbols are used exclusively in warning or environmental instructions or information. Warnings must always be observed to protect the operator and third parties from personal injury and damage to property.



Symbol for warning notices

This symbol marks general warnings. It is used to alert you of possible hazards, e.g. risks of injury or accidents.



Symbol for indications of technical damage

This symbol is a warning symbol that indicates a danger of technical damage. It is used to indicate situations where damage to the machine or third-party property may occur.



Symbol for environmental information

This symbol indicates environmental information. It is used to warn of possible environmental hazards.



Symbol for information

This symbol indicates information. This information can include tips on operation, for example. It helps to better understand and use the machine.

4.3 Accident Prevention Regulations

In addition to the notes and safety instructions in this operator's manual, the local accident prevention regulations and the national industrial safety regulations apply.

4.4 Contact person

Depending on the country, the contact person is a service partner, a subsidiary or a dealer.

- On the Internet at <http://www.wackerneuson.com>.

4.5 Limitation of liability

In the event of the following infringements, the manufacturer disclaims any liability for personal injury and damage to property:

- Actions contrary to this operator's manual.
- Non-designated use
- Deployment of untrained personnel.
- Use non-approved spare parts and accessories.
- Improper handling.
- Structural changes of any kind.
- Non-observance of the General Terms and Conditions (GTC).

4.6 Use of the operator's manual

This operator's manual:

- must be regarded as an integral part of the machine and must be kept in a safe place throughout its service life.
- must be passed on to each subsequent owner or operator of this machine.
- applies to various machine types from one product range. For this reason, some illustrations may differ from the appearance of the purchased machine. Variant-dependent components that are not included in the scope of delivery can also be described.

The manufacturer reserves the right to change the information in this operator's manual without notice.

It must be ensured that any changes or additions made by the manufacturer are immediately incorporated into this operator's manual.

Group - Type	Material number (Mat. no.)
APS1030we	5100058917
APS1135we	5100059661
APS1340we	5100059663
APS1030e	5100059660
APS1135e	5100059664
APS1340e	5100060128
APS1550we	5100061220
APS2050we	5100061222
APS1550e	5100061219
APS2050e	5100061221



Information

Compatible rechargeable batteries!

Only use the following rechargeable batteries:

- ▶ BP500
- ▶ BP1000 with production date 08/2019 or later (see type label)
- ▶ BP1400
- ▶ Other incompatible rechargeable batteries switch off automatically after 30 seconds and do not release any voltage at the plug receptacle.



Information

Compatible chargers!

Only use the following chargers:

- ▶ C48/4
- ▶ C48/7
- ▶ C48/13
- ▶ C48/13 Systainer

Group - Type	Material number (Mat. no.)
BP500	5100060982
BP1000	5100025709
BP1400	5100048620
Rechargeable battery transport box	5100051760

Group - Type	Material number (Mat. no.)
C48/4	5100006221
C48/13	5100002543

Group - Type	Material number (Mat. no.)
C48/7	5100061939

5 Usage

5.1 Designated use

Designated use also includes observing all notes and safety instructions in this operator's manual and observing the prescribed care and maintenance instructions.

The machine is used for:

- Compaction in earth and gravel construction.
- Compaction of mixed and granular soils.
- Compaction of asphalt.
- Shaking in cobblestones.

Any other use or use that goes beyond this is considered improper use. The manufacturer shall not be liable or liable for any damage resulting therefrom. The risk is borne solely by the operator.

The rechargeable battery:

- Only use in machines intended for this purpose.
- Only charge with the manufacturer's approved charger.

5.2 Unintended use

The manufacturer is not liable for personal injury or damage to property resulting from unintended use. The following activities, among others, are not intended:

- Compaction of strongly cohesive soils.
- Compaction of frozen soils.
- Compaction of hard, non-compactable soils.
- Compaction of non-load-bearing soils.
- Connecting non-permitted components.
- Connecting non-permitted components.
- Operating the machine outside the performance data.
- Operation contrary to the notes and safety instructions contained in the operator's manual attached to the machine.
- Operation in potentially explosive atmospheres.
- Operation in the vicinity of open flames.

6 Safety

6.1 Safety symbols and signal words

The following symbol identifies safety instructions. It is used for warning against potential personal risk or danger.



DANGER

DANGER identifies a situation causing death or serious injury if it is not avoided.

Consequences in case of non-observance.

- ▶ Avoidance of injury or death.



WARNING

WARNING identifies a situation that can cause death or serious injury if it is not avoided.

Consequences in case of non-observance.

- ▶ Avoidance of injury or death.



CAUTION

CAUTION identifies a situation that can cause injury if it is not avoided.

Consequences in case of non-observance.

- ▶ Avoidance of injury.



NOTICE

INFORMATION identifies a situation that causes damage if it is not observed.

Consequences in case of non-observance.

- ▶ Avoidance of damage to property.

6.2 Principle

The machine has been designed and built in accordance with latest state-of-the-art standards and the recognized safety regulations. Nevertheless, improper use may result in danger to life and limb of the operator, third parties or damage to the machine and other material property.

Read and observe the notes and safety instructions in this operator's manual. Failure to follow these instructions may result in electric shock, fire and/or serious injury, and damage to the machine and/or other objects.

Keep safety instructions and information for the future.

6.3 Structural changes

Structural modifications may not be made without the written consent of the manufacturer. Unauthorized structural changes may result in hazards to the operator and/or third parties as well as damage to the machine.

The manufacturer's liability and warranty are also void in the event of unauthorized structural alterations.

In particular, a structural change shall be deemed to have occurred:

- When opening of the machine and permanent removal of components.
- Installation of spare parts that do not come from the manufacturer or are not equivalent in design and quality to the original parts.
- Attachment of accessories of any kind that do not originate from the manufacturer.

Spare parts or accessories from the manufacturer can be installed or removed safely. Further information is available on the Internet at - <http://www.wackerneuson.com>.

6.4 Responsibility of the operator

The operator is the person who operates this machine himself for commercial or economic purposes or who leaves it to a third party for use/application and bears the legal product responsibility for the protection of personnel or third parties during operation.

The operator must make the operator's manual accessible to the personnel at all times and ensure that the operator has read and understood the operator's manual.

The operator's manual must be kept ready to hand at the machine or at the place of use.

The operator must hand over the operator to any other operator or subsequent owner of the machine.

The country-specific regulations, standards and directives on accident prevention and environmental protection must also be observed. The operator's manual must be supplemented by further instructions for compliance with operational, official, national or generally applicable safety guidelines.

6.5 Obligations of the operator

- Know and implement applicable health and safety regulations.
- In a risk assessment, identify hazards arising from working conditions at the place of use.
- Create operating instructions for the operation of this machine.
- Regularly check whether the operating instructions correspond to the current status of the regulations.
- Clearly regulate and define responsibilities for installation, operation, troubleshooting, maintenance and cleaning.
- Train personnel at regular intervals and inform them about possible dangers.
- Refresh instruction at regular intervals.
- Keep records of the training received and make them available to the competent authority on request.
- Provide personnel with the necessary protective equipment.

6.6 Qualification of staff

This machine may only be put into operation and operated by trained personnel.

In the event of misuse, abuse or operation by untrained personnel, there is a danger to the health of the operators and/or third parties, as well as damage or total failure of the machine.

In addition, the following requirements apply to the operator:

- Physical and mental suitability.
- Minimum age 18 years.
- No influence on reactivity by drugs, alcohol or medication.
- Familiarity with the safety instructions in this operator's manual.
- Familiarity with the intended use of this machine.
- Instructed in the independent operation of the machine.

6.7 General safety instructions

The safety instructions in this chapter contain the "General safety instructions", which must be listed in the operator's manual in accordance with the applicable standards. It may contain instructions which are not relevant for this machine.

6.8 General safety instructions for power tools



⚠ WARNING

Read all safety information and instructions, illustrations and technical data provided with this power tool.

Failure to comply with the following instructions can cause electric shock, fire and/or serious injuries.

Save all safety instructions and information for the future.

The term "power tool" used in the safety instructions refers to mains-operated power tools (with mains lead) or battery-operated power tools (without mains lead). Unmodified plugs and matching sockets reduce the risk of electric shock.

1) Working area safety

- **Keep your working area clean and well lit.** *Cluttered or dark work areas can lead to accidents.*
- **Do not work with a power tool in explosive environments where there are flammable liquids, gases or dust.** *Power tools create sparks, which can ignite dust or fumes.*
- **Keep children and other people away while using the power tool.** *If distracted, you may lose control of the electrical tool.*

2) Electrical safety

- **The connector plug of the power tool must fit in the plug receptacle. The plug may not be changed in any way. Do not use an adapter plug together with grounded power tools.** *Keep the power cord away from heat, oil, sharp edges or moving parts.*
- **Avoid body contact with grounded surfaces, such as tubes, heaters, stoves and refrigerators.** *There is a higher risk of electric shock if your body is grounded.*
- **Keep the power tools away from rain or wet conditions.** *The penetration of water into the power tool increases the risk of an electric shock.*
- **Do not use the connection cables to carry the power tool, to hang it or to pull the plug out of the plug receptacle. Damaged or tangled connecting lines increase the risk of electric shock.** *A tool or wrench that is in a rotating part of the power tool can cause injury.*
- **If you are working with a power tool outdoors, only use extension cables that are also suitable for outdoor use.** *The use of an extension cable that is suitable for outdoor use reduces the risk of an electric shock.*
- **If the operation of the power tool in damp conditions is unavoidable, use a fault current protective switch.** *The use of a fault current protective switch reduces the risk of an electric shock.*

3) Personal safety

- **Be alert, watch what you are doing and use common sense when working with a power tool. Do not use a power tool if you are tired or under the influence of drugs, alcohol or medication.** *A moment of carelessness when using the power tool can lead to serious injury.*
- **Wear personal protective equipment and always wear safety glasses.** *Wearing personal protective equipment, such as a dust mask, non-skid safety shoes, a hard hat or ear protection depending on the nature and application of the power tool, reduces the risk of injury.*
- **Avoid unintentional starting. Make sure that the power tool is switched off before you connect it to the electric power supply and/or the rechargeable battery before you pick it up or carry it.** *Accidents may happen if you carry the electrical tool with your finger on the switch or if you connect the equipment to the electric power supply while it is switched on.*

- **Remove the adjusting tools or spanners before switching the power tool on.** *A tool or wrench that is in a rotating part of the power tool can cause injury.*
 - **Avoid an abnormal posture. Ensure you have good footing and keep your balance at all times.** *In this way, you can better control the power tool in unexpected situations.*
 - **Wear appropriate clothing. Do not wear loose clothing or jewelry. Keep hair and clothing away from moving parts.** *Loose clothing, jewelry or long hair can be caught in moving parts.*
 - **If dust extraction and collection equipment can be fitted, connect it and use it correctly.** *Use of a dust extraction mechanism can reduce hazards from dust.*
 - **Do not lull yourself into a false sense of security and do not ignore the safety rules for power tools, even if you are familiar with the power tool after using it many times.** *Careless actions can lead to serious injuries within fractions of a second.*
- 4) **Use and handling of the power tool**
- **Do not overload the power tool. Use the power tool intended for your work.** *You will work better and more safely in the specified power range with the right power tool.*
 - **Do not use a power tool whose switch is defective.** *A power tool that can no longer be switched on or off is dangerous and must be repaired.*
 - **Unplug the power tool and/or remove a removable rechargeable battery before making any device adjustments, changing insert tool parts or putting the power tool away.** *These safety precautions prevent the accidental starting of the power tool.*
 - **Store unused power tools out of the reach of children. Do not allow persons to use the power tool who are not familiar with it or have not read these instructions.** *Power tools are dangerous if they are used by inexperienced persons.*
 - **Care for power tools and insert tools with care. Check whether moving parts function flawlessly and do not jam, whether parts are broken or whether they are so damaged that they impair the function of the power tool. Have damaged parts repaired before application of the equipment.** *Many accidents are caused by poorly maintained power tools.*
 - **Keep cutting tools sharp and clean.** *Carefully maintained cutting tools with sharp cutting edges jam less frequently and are easier to guide.*
 - **Use power tools, insertion tool, insertion tools, etc. in accordance with these instructions. In doing so, note the working conditions and the work to be carried out.** *The use of power tools for applications other than those intended can lead to dangerous situations.*
 - **Keep handles and grip surfaces dry, clean and free of oil and grease.** *Slippery handles and grip surfaces do not allow safe operation and control of the power tool in unforeseen situations.*
- 5) **Use and handling of the battery-powered tool**

- **Only charge the batteries in battery chargers that are recommended by the manufacturer.** *For a battery charger that is suitable for a certain type of batteries, there is a risk of fire if it is used with other batteries.*
- **Only use the intended batteries in the power tools.** *The use of other batteries can lead to injuries and fire hazard.*
- **Keep the unused rechargeable battery away from paper clips, coins, keys, nails, screws and other small metal objects that could cause a bridging of the contacts.** *A short circuit between the battery contacts can lead to burns or a fire.*
- **If used incorrectly, fluid may escape from the rechargeable battery. Avoid contact with this fluid. Rinse with water if you make accidental contact with the escaped fluid. If the fluid gets into your eyes, seek medical attention.** *Escaping battery fluid can lead to skin irritation or burns.*
- **Do not use a damaged or modified rechargeable battery.** *Damaged or altered rechargeable batteries may behave unpredictably and result in fire, explosion or risk of injury.*
- **Do not expose a rechargeable battery to fire or excessive temperatures.** *Fire or temperatures above 130 °C may cause an explosion.*
- **Follow all charging instructions and never charge the rechargeable battery or battery tool outside the temperature range specified in the operator's manual.** *Incorrect charging or charging outside the permitted temperature range can destroy the rechargeable battery and increase fire hazard.*

6) Service

- **Only have your power tool repaired by qualified technically trained personnel and only with original spare parts.** *This will ensure that the safety of the electrical tool is maintained.*
- **Never service damaged rechargeable batteries.** *All maintenance of rechargeable batteries should be performed only by the manufacturer or authorized service centers.*

6.9 Specific safety instructions for vibration plates

6.9.1 External influences

Do not operate the machine under the following external influences:

- In case of heavy rain on inclined surfaces. Danger of slipping!

6.9.2 Operational safety

- When operating the machine, make sure that no gas, water or electrical lines or pipes are damaged.
- Exercise the utmost degree of caution near abysses or slopes.
Danger of falling!
- Do not leave the designated operating position when the machine is in operation.
- In trenches and pits, pay maximum attention to side walls so that they remain stable and do not collapse due to vibration. Risk of spillage!
- Never let the machine run unattended. Risk of injury!
- Keep work area clear and keep unauthorized persons away. Risk of injury!
- Operators of this machine must ensure that persons staying in the work area maintain a minimum distance of 2 metres from the running machine.
- When operating the machine on inclined surfaces, always approach gradients from below and always stand above the machine on the slope. The machine could slip or tip over.

6.9.2.1 Safety distances

Compaction work in the vicinity of buildings can lead to building damage. Therefore, any possible effects and vibrations on surrounding buildings must be checked in advance.

The relevant regulations and codes of practice for measuring, assessing and reducing vibration immissions must be observed, in particular DIN 4150-3.

The manufacturer shall not be liable for any damage to buildings.

6.10 Specific rechargeable-battery-related safety instructions

6.10.1 General safety instructions

- Do not take apart, open or deform rechargeable batteries.
- Do not short-circuit rechargeable batteries.
- Do not store rechargeable batteries in a box or draw as this can pose hazards where they can short out each other or be shorted out by another conductive material.
- Use rechargeable batteries for their intended purpose and protect them from damage.
- Keep rechargeable batteries away from children.
- Seek immediate medical attention if rechargeable battery components are swallowed accidentally.
- Use rechargeable batteries only in those applications for which they are intended.
- If possible, take the rechargeable battery out of the machine when it is not being used.
- Take the rechargeable battery out of the machine when it is being loaded and transported.
- In the event of prolonged storage, remove the rechargeable battery from the machine and store it in the battery transport box.
 - Store in a dry and well-ventilated room.
 - Observe storage temperature, [see technical data on page 59](#).
- Dispose of the accumulator and packaging in accordance with regulations and in an environmentally friendly manner. Information on disposal is available from a service partner.
- In the event of fire:
 - Immediately take the machine out of operation.
 - Remove injured persons and others from the danger zone.
 - Stay away from vapors and gases, observe wind direction!
 - Extinguish only with water, do not use a direct stream of water.

6.10.2 External influences

- Do not expose the rechargeable battery to heat or fire. Avoid storage in direct sunlight.
- Do not throw the rechargeable battery into a fire.
- Do not expose the rechargeable battery to mechanical shocks.
- Keep the rechargeable battery clean and dry. Do not allow them to come into contact with water.
- Clean dirty connections of the rechargeable battery with a dry and clean cloth.
- Keep rechargeable battery away from paper clips, coins, keys, nails, screws or other small metal objects that could cause bridging of the contacts. Danger of short circuit and fire!
- Do not insert any objects into the openings of the rechargeable battery.
- Do not expose the rechargeable battery to high pressure.
- Do not expose the rechargeable battery to microwaves.
- Protect the rechargeable battery from chemicals and salts.

6.10.3 Operational safety

- To charge the rechargeable batteries, only use the battery charger approved by the manufacturer.
- Rechargeable batteries may only be used in the machine specified by the manufacturer for this purpose.
- If a rechargeable battery is leaking, the fluid must not come into contact with your skin or eyes. If contact has been made, wash the affected area with plenty of water and seek immediate medical attention.
- If a rechargeable battery leaks, do not allow the contents to reach ground water, sewage system or soil.
- Observe the polarity as indicated on the rechargeable battery and the machine (+ and -). Ensure correct use.
- Do not use rechargeable batteries that are not intended for the machine.
- Charge rechargeable batteries before use. In this context, make sure that the correct charging procedure is used [see Start-up on page 43](#).
- Do not charge a damaged or defective rechargeable battery.
- Once the charge cycle is complete, the rechargeable battery is to be disconnected from the battery charger.
- Rechargeable batteries have their best power output if they are operated at normal room temperature (about 20°C).

6.11 Specific charger-related safety instructions

6.11.1 General information



⚠ WARNING

Fire hazard!

The use of battery chargers in a flammable environment or near open flames may result in a fire.

- ▶ Do not operate the battery charger on easily flammable surfaces (e.g. paper, textiles) or in a flammable environment.
- Check the cable and plug before using the battery charger.
- Wipe with a dry clean cloth.
- Do not use the cable for carrying or suspending the machine. Do not pull the cable in order to pull the plug out of the receptacle.
- Do not use the battery charger if damage has been found. Do not open the battery charger yourself, but rather only have it repaired by qualified technically trained personnel who are using original spare parts.
- Only charge permitted original rechargeable battery from the manufacturer.
- Once the charge cycle is completed, disconnect the rechargeable battery from the charger.
- Keep battery charger away from children.
- Dispose of battery charger properly.

6.11.2 External influences

- Avoid penetration of water into the battery charger.
- Only use the battery charger indoors and keep away from rain and moisture.
- If it is not possible to avoid working in a damp environment, a fault current protective switch must be used.
- Do not subject the battery charger to mechanical shocks.
- Protect the connection cable from any aggressive media (e.g. oil), sharp edges or moving machine parts.
- Do not operate the battery charger in freezing temperatures, [see Technical data on page 59](#).
- The battery charger may not be exposed to heat (e.g. direct sunlight) or fire.

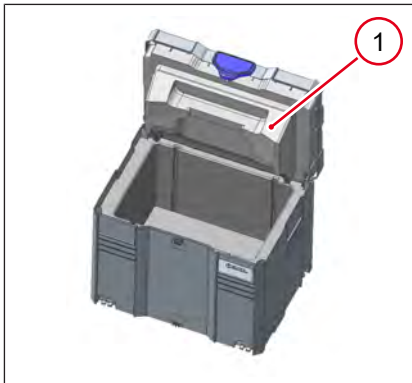
6.11.3 Operational safety

- Damaged battery chargers may not be used.
- In case of malfunctions, disconnect the battery charger immediately from the power source.
- Charge only approved compatible rechargeable batteries.
- Damaged batteries may not be recharged.
- The battery charger's plug must fit in the plug receptacle. The plug may not be changed in any way. Do not use the adapter plug together with grounded machines.
- Avoid any contact with grounded surfaces.

6.12 Safety features

Safety features protect the operator of this machine from being exposed to the existing hazards. These are barriers (separating protective devices) or other technical measures that serve to avert or reduce hazards.

Lithium-ion batteries are classified as dangerous goods in international transport law and are subject to the international regulations for the transport of dangerous goods with regard to classification, packaging and marking.



The cover insert **1** is a special insert for the transport of dangerous goods.

- Do not remove the cover insert.



Information

Regulations for the transport of dangerous goods!

If the cover insert is removed, the rechargeable battery transport box no longer complies with the UN regulations for the transport of dangerous goods.

6.13 Maintenance

- Do not service, repair, adjust or clean the machine when it is switched on.
- Remove accumulator from the machine before maintenance work.
- Observe maintenance intervals according to maintenance plan. Have work that is not listed performed by a service partner.
- Replace worn or damaged machine parts immediately. Only use spare parts from the manufacturer.
- Carry out maintenance work in a clean and dry environment (e.g. workshop).
- Keep the machine clean.
- Replace any missing, damaged or illegible safety labels immediately. Safety and information labels contain important information for the protection of the operator.

6.13.1 Service

- Only have the machine repaired or serviced by technically trained personnel.
- Only use original spare parts and accessories. The operational safety of the machine is thus maintained.

6.13.1.1 Threaded fittings

All threaded fittings must comply with the specified specifications and be firmly bolted together. Observe the tightening torques! Screws and nuts must not be damaged, bent or deformed.

Particular attention should be paid to the following:

- Self-locking nuts and micro-encapsulated screws must not be reused after loosening. The fastening effect is lost.
- Threaded fittings with adhesive protection/liquid adhesives (e.g. Loctite) must be cleaned after loosening and provided with new adhesive.



Information

Observe the instructions of the liquid adhesive manufacturer.

7 Description of the Machine

7.1 Scope of delivery

Remove all packaging material from the machine.

- Vibration plate
- Operator's manual
- Rechargeable battery

7.2 Type plates and labels

7.2.1 Type label

A type label is permanently attached to the machine.

Other type labels

Furthermore, the following components of the machine are provided with their own type label:

- the rechargeable battery

Symbols on the type label

Various symbols and markings for national and international approvals may be shown on the type label.

7.2.1.1 Labeling on the machine

Type label data

The type label contains information that uniquely identifies this machine. This information is required for ordering spare parts and for technical queries.

Enter the data on the machine in the following table:

Designation	Your details
Group - Type	
Material number (Mat. no.)	
Machine version (version)	
Machine number (machine no.)	
Year of construction	

7.2.2 Safety and information labels

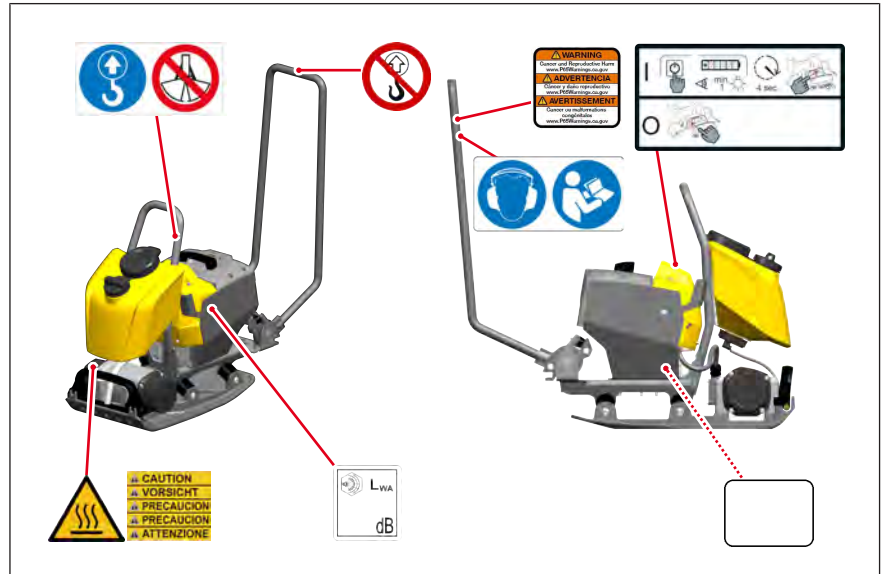


⚠ WARNING

Injury hazard due to missing or damaged labels and signs!

Safety labels contain important information to protect the operator.

- ▶ Keep all safety, warning and operating instructions on the machine in a clearly legible condition.
- ▶ Replace missing or damaged labels and signs immediately.



Caution!



Warning of health risks

WARNING! CALIFORNIA: Proposition 65 (Safe Drinking Water and Toxic Enforcement Act of 1986)

For more information: www.P65Warnings.ca.gov



No lifting point.



Risk of injury from falling machine

- Only lift at the lifting point.
- No lifting with an excavator bucket.



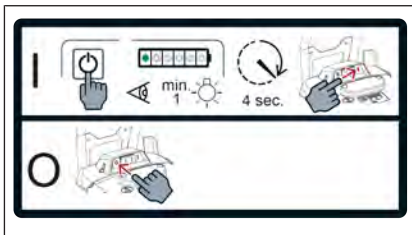
Wear personal protective equipment to avoid injury and health problems.

- Use hearing protection.
- Read the operator's manual.

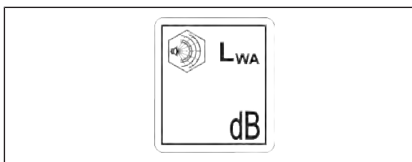


Risk of burns!

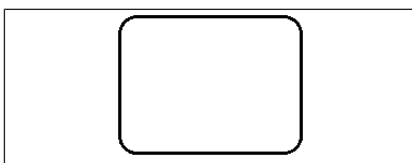
Warning of hot surface.



Start / stop brief instructions.

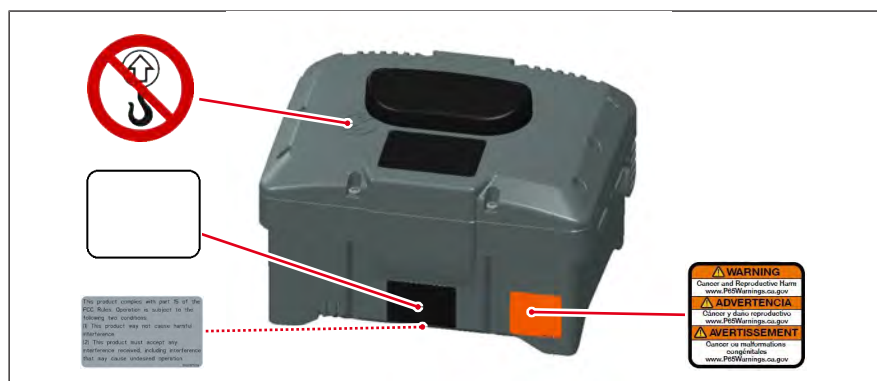


Guaranteed sound power level.



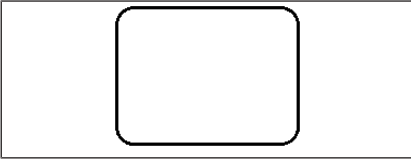
Type label.

7.2.3 Safety and information labels Accumulator

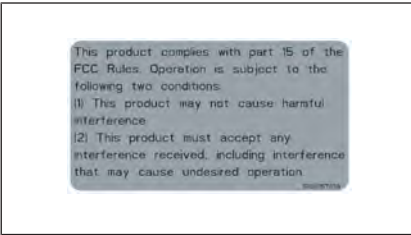




No lifting point.



Type label.



The machine complies with part 15 of the FCC regulations (valid for US market).

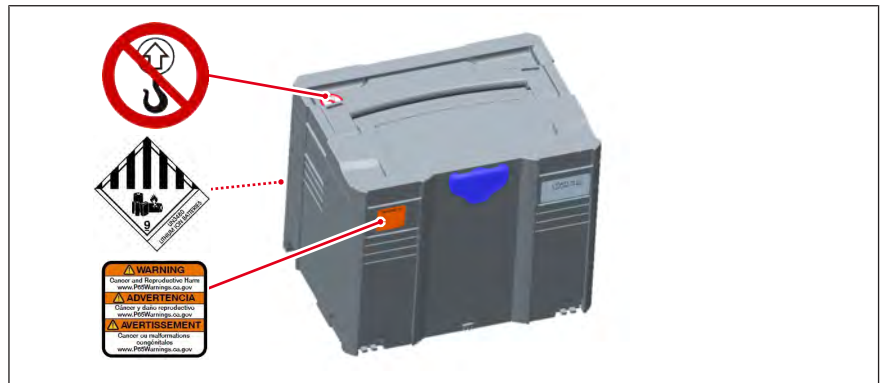


Warning of health risks

WARNING! CALIFORNIA: Proposition 65 (Safe Drinking Water and Toxic Enforcement Act of 1986)

For more information: www.P65Warnings.ca.gov

7.2.4 Safety and information label Battery transport box



No lifting point.



Dangerous goods class 9A, UN 3480: Lithium-ion batteries.
Observe transport regulations.

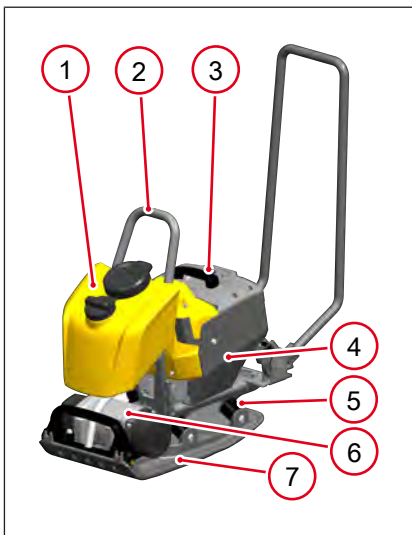


Warning of health risks

WARNING! CALIFORNIA: Proposition 65 (Safe Drinking Water and Toxic Enforcement Act of 1986)

For more information: www.P65Warnings.ca.gov

7.3 Components

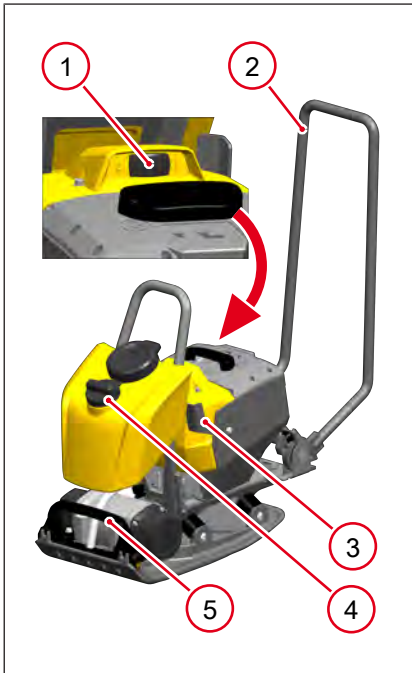


- 1 Water tank
- 2 Central suspension
- 3 Rechargeable battery
- 4 Protective frame / guide rechargeable battery
- 5 Rubber-metal buffer
- 6 Exciter
- 7 Base plate

7.4 Control elements

Always keep the displays and controls of the machine dry, clean and free of oil and grease.

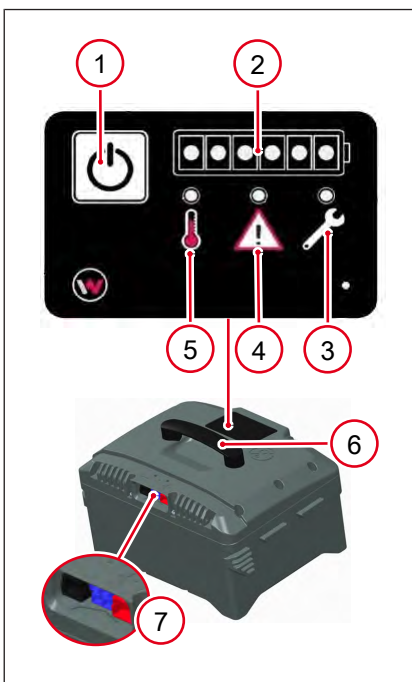
Do not lock, manipulate or alter the machine operating elements in an inadmissible manner.



- 1 Switch On/Off
- 2 Guide bracket
- 3 Lock rechargeable battery
- 4 Water sprinkling regulation
- 5 Handle

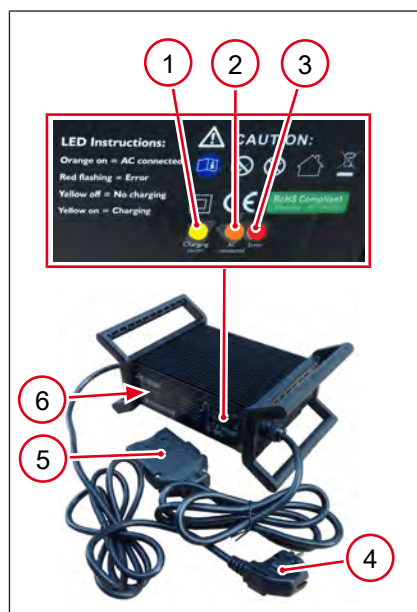


7.5 Components and control elements accumulator



- 1 Start button Activation/deactivation
- 2 Control light Charge condition
- 3 Control light diagnosis
- 4 Control light rechargeable battery error
- 5 Control light overtemperature/undertemperature
- 6 Handle
- 7 Connections (contact strip)

7.6 Components and operator's controls battery charger



- 1 Control light Charge condition
- 2 Control light Operation
- 3 Control light Fault
- 4 Power cable
- 5 Power cable of the rechargeable battery
- 6 Type label

Control light Charge condition

LED comes on. Rechargeable battery is charged.

Control light Operation

LED comes on. Battery charger is connected to the power supply.

Control light Fault

LED flashes: There is a fault, contact Wacker Neuson Service.

8 Transportation

8.1 Safety instructions for transport



▲ WARNING

Hazard of falling!

The falling machine can cause serious injuries, e.g. by crushing.

- ▶ Only use suitable and tested lifting gear and slings (safety hooks) with sufficient lifting capacity.
- ▶ Only lift the machine by the central suspension.
- ▶ Secure the machine safely to the lifting gear.
- ▶ Do not lift the machine by the guide bracket.
- ▶ Leave the danger zone when lifting, do not stand under suspended loads.



NOTICE

Material damage due to improper transport!

The rechargeable battery is not protected against all environmental influences. If the rechargeable battery is exposed to certain environmental influences, the rechargeable battery may be damaged and material damage may occur.

- ▶ Do not transport a damaged rechargeable battery.
- ▶ Transport the rechargeable battery in electrically non-conductive packaging.
- ▶ Observe the regulations for the transport of dangerous goods.



NOTICE

Damage of the cable!

Improper handling may result in malfunctions and material damage.

- ▶ Do not use the cable as a transport aid or transport lock.

8.2 Prerequisites and preparations

- Switch off the machine and let it cool down.
- We recommend removing the rechargeable battery from the machine before charging and transporting.
- Use only suitable hoists with sufficient lifting capacity.
- Only use suitable lifting equipment with sufficient lifting capacity, [see Technical Data on page 59](#).
- The transport vehicle must have a sufficient bearing load and a suitable loading surface.

8.3 Lifting the machine

Lifting with lifting device and lifting gear



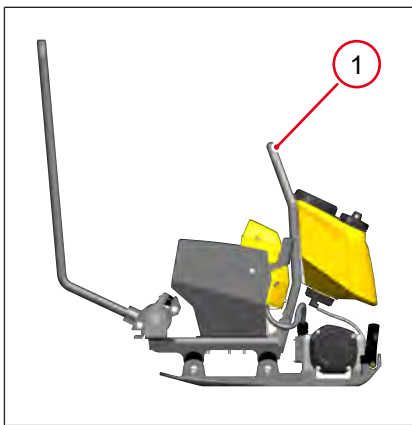
WARNING

Risk of crushing!

If the machine is unstable, the lifting gear and the hoist may fail and fall down.

► Check the stability of the lifted machine before continuing work.

1. To ensure safe lifting, appoint a competent instructor.
2. Only use certified lifting and fastening gear.
3. Attach suitable sling to central suspension **1**.
4. Load the machine into or onto the transport vehicle.



5. Fold down the guide bracket **2** during transport.



CAUTION

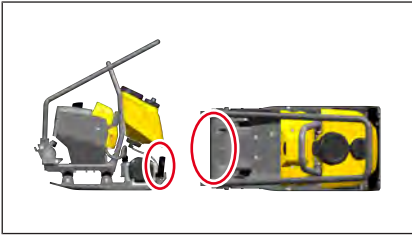
Danger of burns due to hot surfaces!

Exciter can become very hot after a short time, which can cause severe burns if it comes into contact with the skin.

- Always allow the machine to cool down after use.
- If the cooling phase cannot be maintained (e.g. due to an emergency) - use heat-resistant protective gloves.

Lifting by the handles

1. Designate at least one second person for a safe lifting operation.
2. Two persons should hold and lift the machine at the provided handles with both hands.
3. Load the machine into or onto the transport vehicle.

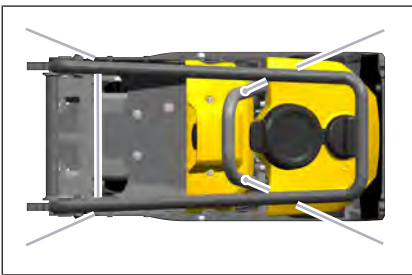


8.4 Lashing the machine



NOTICE

Use anti-slip mats to secure the load.



Only use the lashing points provided for this purpose to secure the machine.

- Tie down the machine as shown.
- ⇒ The machine is secured against unrolling, slipping and tipping over.

8.5 Packing and transporting rechargeable battery



NOTICE

Material damage due to improper transport!

- ▶ Pack the rechargeable battery in the rechargeable battery transport box.
- ▶ Do not remove the cover insert of the rechargeable battery transport box.
- ▶ Observe the regulations for the transport of dangerous goods.

Lithium-ion batteries are classified as dangerous goods in international transport law and are subject to the international regulations for the transport of dangerous goods with regard to classification, packaging and marking.

- Ensure proper transport and load securing.

8.6 Transporting battery charger

1. Roll up the charger's cable.
2. Do not kink the cable.
3. Ensure proper transport and load securing.

9 Commissioning

9.1 Safety instructions for operation



⚠ WARNING

Risk of serious injury, death and property damage due to smoke development and fire!

A damaged or defective rechargeable battery can smell unusual, smoke or burn. Persons may be seriously injured or killed and property damage may occur.

- ▶ Do not use the rechargeable battery and separate it from combustible materials if it smells or smokes unusually.
- ▶ In case of fire, extinguish with water only, do not use a direct water jet.



⚠ WARNING

Tipping hazard due to slipping or overturning machine!

At least 2/3 of the machine must be on a stable surface near edges.

- ▶ Take the machine out of operation and lift it back onto a stable surface.



⚠ WARNING

Improper handling may result in injury or serious material damage.

- ▶ Please read and follow all safety instructions in this operator's manual.



⚠ CAUTION

Health hazard due to vibrations!

Physical impairments due to vibration.

- ▶ Take regular breaks.



⚠ CAUTION

Risk of collapse and spillage!

There is a risk of injury from falling or spilling when working on fracture, pit, dump and embankment edges, on trench edges and heels.

- ▶ Pay attention to side walls and their stability.
- ▶ Ensure stability.

Operation on inclined surfaces

- Only approach gradients from below.

Ground conditions

The maximum dumping height depends on several factors of the ground conditions. An exact specification of this value is not possible.

- Determine the maximum fill height by compaction tests or soil samples.

Shaking in cobblestones

- To avoid damage to the machine or compaction material, use a sliding device, [see Accessories on page 57](#).

Compaction of asphalt

- To avoid cracking and sticking to the asphalt, use water tank with sprinkler system, [see Accessories on page 57](#).

9.2 Tests before commissioning



Information

Further information and detailed descriptions, [see Maintenance on page 49](#).

Perform the following checks:

- Check machine and components for damage.
 - Do not put the damaged machine into operation. Damages and defects must be repaired immediately.
- Check the charge state of the accumulator.
- Check to ensure the screw connections are firmly seated.
- Check control elements for functionality.

9.3 Charge the rechargeable battery



NOTICE

Damage to the machine or the accumulator.

Only use chargers and rechargeable batteries from the manufacturer.



NOTICE

Note on putting into operation!

Detailed and illustrated information can be found in the operator's manual of the battery charger.

Charge the rechargeable battery

1. Place the battery charger and rechargeable battery on a dry and clean working area.
2. Connect the battery charger to the power source.
3. Then connect the rechargeable battery to the battery charger.
4. Check the charge state of battery regularly.
5. If the rechargeable battery is completely charged, unplug the battery from the charger and disconnect the battery charger from the power source.

9.4 Install the rechargeable battery



NOTICE

Damage to the machine or the accumulator.

Connections and contact area of the accumulator must be clean and dry.



NOTICE

Damage to the machine or the accumulator.

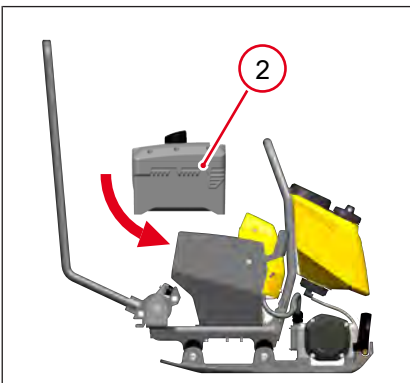
Note the direction of installation when installing the accumulator. The connections must point in the direction of the protective cover.



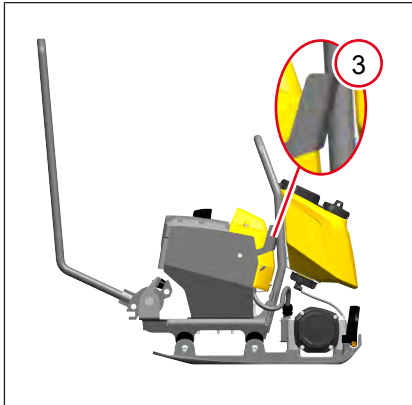
NOTICE

Note on putting into operation!

Detailed and illustrated information can be found in the operator's manual of the machine.



1. Place rechargeable battery **2** on the charger.
2. Carefully insert the rechargeable battery into the provide guide rail.



3. Insert the rechargeable battery by the handle until you hear a clearly audible snapping sound of the lock **3**.
4. Make sure the rechargeable battery is firmly seated.
 - ⇒ The machine is ready for operation.

9.5 Putting into operation



1. Hold the machine by the guide bracket.
2. Press start button **1**.
 - ⇒ Rechargeable battery is activated.
3. Check the charge level of the rechargeable battery **2**.
4. Wait at least 4 seconds, then start the machine.

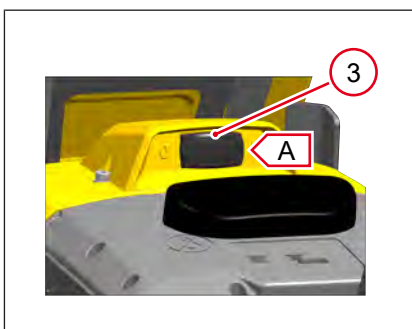


NOTICE

Possible error message on the rechargeable battery

If the machine is started too quickly, error messages may appear on the accumulator.

- ▶ Wait at least 4 seconds after activating the rechargeable battery.
- ▶ Then continue with the starting procedure.



- Set switch **3** to position **A**.
 - ⇒ The machine starts up.
 - ⇒ Vibration begins when moved forward.







10 Operation

10.1 Operating the machine

The operator's designated location is behind the machine.
Guide and steer the machine using the guide bracket.

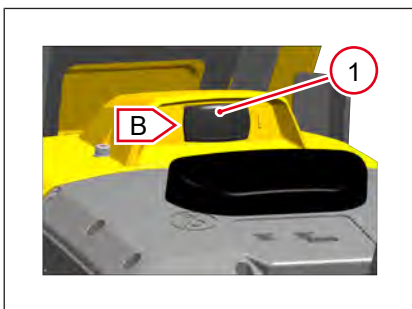
10.2 Check charge state of rechargeable battery

Checking the charge condition of the rechargeable battery during operation on a regular basis.

Number of illuminated control lights:	Charge condition of the rechargeable battery
	Charge condition > 20 %
	charge condition > 20 %
	charge condition > 40 %
	charge condition > 60 %
	charge condition > 80 %
	Rechargeable battery is fully charged 100%.

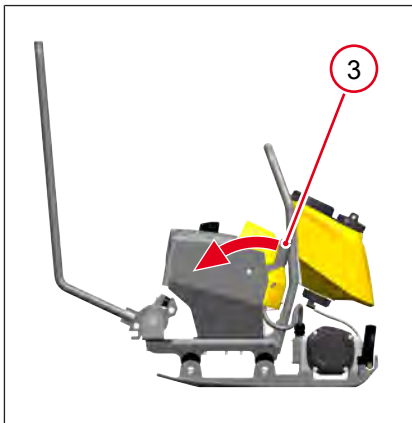
If only one control light is still on, the charge condition is already below a range of 20 %. To avoid the most severe discharges possible, recharge the battery.

10.3 Taking the rechargeable battery out of operation



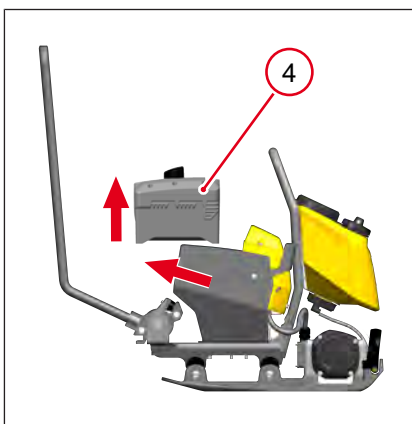
Taking the machine and rechargeable battery out of operation

- ✓ The machine is on a level surface.
- Set switch **1** to position **B**.
 - ⇒ Machine switches off.
 - ⇒ Rechargeable battery is deactivated.



Remove the rechargeable battery

1. Allow the machine to come to a complete stop.
⇒ The machine is out of operation.
2. Pull lock **3** to the rear.



3. Carefully pull back rechargeable battery **4** by the handle as far as it will go.
4. Pull out the rechargeable battery by the handle and put it down safely.

11 Maintenance

11.1 Safety instructions for maintenance



⚠ WARNING

Improper handling may result in injury or serious material damage.

- ▶ Please read and follow all safety instructions in this operator's manual.



⚠ WARNING

Risk of injury from uncontrolled machine starting and moving parts!

- ▶ Only perform maintenance work when the machine is switched off.
- ▶ Remove the rechargeable battery.



⚠ WARNING

Danger of serious injury and death due to independent troubleshooting and repair!

If the accumulator is not repaired correctly, components may no longer function properly and safety devices may be disabled. Persons may be seriously injured or killed.

- ▶ Do not repair rechargeable batteries yourself.
- ▶ If the rechargeable battery is damaged, contact the service partner.



⚠ WARNING

Risk of injury due to missing or non-functioning safety devices!

- ▶ Only operate the machine if the safety devices are correctly installed and functioning.
- ▶ Do not change or remove safety devices.



⚠ WARNING

Danger from electric current.

Risk of injury from electric current in the event of improper work.

- ▶ Repairs and a subsequent safety check may only be performed by a qualified electrician according to the applicable guidelines.



CAUTION

Danger of burns due to hot surfaces!

Exciter can become very hot after a short time, which can cause severe burns if it comes into contact with the skin.

- ▶ Always allow the machine to cool down after use.
- ▶ If the cooling phase cannot be maintained (e.g. due to an emergency) - use heat-resistant protective gloves.



NOTICE

Damage by penetrating water!

Penetrating water can damage electrical operating elements or machine components.

Penetrating moisture can lead to total failure.

- ▶ Do not clean the machine with high pressure or steam cleaners!
- ▶ Use a cloth to remove water that has entered (e.g. due to rain) the housing and then let the machine dry.
- ▶ Only use dry and clean cloths.



Environment

Avoid damage to the environment!

- ▶ Clean the machine in a suitable place where the dirty waste water can be collected in an environmentally friendly manner.
- ▶ Collect contaminated water and dispose of it in an environmentally friendly manner.

11.2 Maintenance plan

Maintenance work	daily	125 h
Clean machine, rechargeable battery and charger. <ul style="list-style-type: none"> • Visual check for completeness. • Visual check for damage. 	•	
Check operating elements for ease of movement.	•	
Check screw connections.	•	
Check rubber buffer.		•

11.3 Maintenance work

Carrying out preparations:

1. Place the machine on a level surface.
2. Decommissioning the machine.
3. Let the machine cool down.
4. Remove the rechargeable battery.

11.3.1 Cleaning the machine



NOTICE

Information on damage to the components!

Contact service representative if accumulator or charger is damaged.



NOTICE

Notice for cleaning the machine!

- ▶ Do not clean the machine with high pressure or steam cleaners!

Observe the following when cleaning:

1. Clean machine with compressed air.
2. Wipe the rechargeable battery and battery charger with a dry clean cloth.

Visual check after cleaning:

1. Check cables, hoses and lines for leaks and chafe marks.
2. Check screw connections.
 - ⇒ Replace damaged components.
3. Check all safety, warning and operating instructions for completeness.
 - ⇒ Replace missing or damaged labels and signs immediately.

12 Troubleshooting

12.1 Troubleshooting machine



⚠ WARNING

Danger to life due to unauthorized troubleshooting!

- ▶ If faults occur on this machine which are not described in these operating instructions, contact the manufacturer.
- ▶ Do not rectify faults on your own.



NOTICE

Possible error message on the rechargeable battery




If the machine is started too quickly, error messages may appear on the accumulator.

- ▶ Wait at least 4 seconds after activating the rechargeable battery.
- ▶ Then continue with the starting procedure.

Fault	Possible cause	Remedy
The machine will not operate.	On/Off switch is not off.	Move the switch to position 0.
	Rechargeable battery is not activated.	Activate rechargeable battery.
	The charge condition of the rechargeable battery is too low.	Charge the rechargeable battery.
	The rechargeable battery is not inserted correctly into the machine.	Insert the rechargeable battery correctly into the machine.
	The rechargeable battery is defective.	Have the rechargeable battery repaired.*
The machine is displaying unexpected faults when putting into operation or operation.	Troubleshooting Observe rechargeable battery.	Deactivate the rechargeable battery and remove it from the machine. If the fault persists, have the rechargeable battery repaired.*
The machine switches itself off.	The charge condition of the rechargeable battery is too low.	Charge the rechargeable battery.
	The machine was overloaded.	Switch the machine on again.
	Machine is overheated.	Let the machine cool down.
	Machine under temperature.	Operate the machine only within the permissible temperature range, Technical Data.

* Have this work carried out by a service partner.

12.2 Troubleshooting rechargeable battery

Pictogram	Status control light	Possible cause	Remedy
	Control light rechargeable battery error is lit.	Contact error of connection strip.	Clean and if necessary dry the contacts.
		Activating the rechargeable battery too quickly.	Deactivate the rechargeable battery and only activate it again after 10 - 15 seconds.
		Incorrect sequence when activating the rechargeable battery.	First activate the rechargeable battery and then start the machine.
		Hardware error or software error.	Activate rechargeable battery again and acknowledge error by push button. Have the rechargeable battery repaired.*
	Overtemperature/undertemperature control light lights up.	Temperature error (too high or too low temperature).	Operate the rechargeable battery only within the permissible temperature range.
			Allow the equipment to cool down if necessary.
			Activate rechargeable battery again.
	Diagnosis control light lights up.	The rechargeable battery was disabled due to a fault.	Have the rechargeable battery repaired.*

* Have this work carried out by a service partner.

12.3 Troubleshooting battery charger



⚠ WARNING

Danger to life due to unauthorized troubleshooting!

- ▶ If faults occur on this machine which are not described in these operating instructions, contact the manufacturer.
- ▶ Do not rectify faults on your own.

Fault	Possible cause	Remedy
The rechargeable battery is not charged.	Connection plug not connected correctly.	Connect connection plug correctly.
	Supply cable not connected to power source.	Plug supply cable into power source.
	The rechargeable battery is defective.	Contact service partner.
	Battery charger is defective.	

13 Shutdown

13.1 Temporary decommissioning



⚠ WARNING

Fire and explosion hazard!

Storage with other hazardous substances may lead to fire or explosion due to dangerous interaction.

- ▶ Store separately from other hazardous materials.
- ▶ Store away from other flammable materials.
- ▶ Keep a minimum distance of 2.5 m.



NOTICE

Property damage due to self-discharge of the rechargeable battery!

The self-discharge rate is approx. 3 % per month. Deep discharge can cause damage to the cells or loss of capacity.

- ▶ Check charge condition every six months.



Information

Further information and detailed descriptions, [see Maintenance on page 49.](#)

Storage requirements

- Store dust-free and dry.
- Do not store outdoors.
- Protect from direct sunlight.
- Observe storage temperature, [see Technical Data on page 59.](#)
- Store in a locked place that is not accessible to children.

If the machine is stationary for more than 1 month, perform the following measures:

Entire machine	<ul style="list-style-type: none"> • Clean thoroughly. • If necessary, rectify all defects. • Check for leaks, rectify any defects if necessary.
Rechargeable battery	<ul style="list-style-type: none"> • Clean thoroughly. • Check the charge condition, store at a state of charge of approx. 30%. • Store the rechargeable battery separately from the machine.

If the machine is shut down for more than 6 months, contact a service partner.

13.2 Final shutdown

If the machine is no longer in use and is shut down for good, all operating fluids must be drained.

Have the machine professionally dismantled and disposed of by a state-approved recycling company.

Professional disposal of this machine avoids negative effects on human health and the environment, helps with the targeted treatment of pollutants and makes it possible to recycle valuable raw materials.

13.2.1 Disposal of old electrical and electronic equipment

Disposal of old electrical and electronic equipment

Professional disposal of this machine avoids negative effects on human health and the environment, helps with the targeted treatment of pollutants and makes it possible to recycle valuable raw materials.

For customers in EU countries

This machine is subject to the European directive for old electrical and electronic equipment (Waste Electrical and Electronic Equipment (WEEE)), as well as the corresponding national laws.

The WEEE directive provides the framework for an EU-wide treatment of old electrical equipment.

The machine is marked with the crossed-out garbage bin symbol. This means that you do not dispose of the battery in normal household waste but that it must be disposed of in a separate, environmentally friendly collection facility.

This unit is intended as a professional electrical tool exclusively for commercial use (so-called B2B device according to WEEE directive). In contrast to equipment mainly used in private households (so-called B2C equipment), this machine may therefore not be disposed of in some EU countries, e.g. in Germany, at the collection points of the public waste disposal authorities (e.g. municipal recycling centers). In case of doubt, information on the prescribed disposal route for B2B electrical appliances in the respective country can be obtained from the sales outlet in order to ensure disposal in accordance with the applicable legal regulations.

There are also some notes to follow in the sales contract or in the general Terms and Conditions of the sales location.

For customers in other countries

It is recommended that you do not dispose of the machine in normal household waste but rather in a separate, environmentally friendly collection facility. National laws also may, under certain circumstances, prescribe the separate disposal of electrical and electronic products. Correct disposal of this machine in accordance with current national guidelines must be assured.

13.2.2 Disposal of rechargeable batteries and starter batteries

The machine contains one or more batteries or accumulators (hereinafter uniformly referred to as "battery"). Professional disposal of the battery avoids negative effects on human health and the environment, helps with the targeted treatment of pollutants and makes it possible to recycle valuable raw materials.

For customers in EU countries

This battery is subject to the European Directive on (old) batteries and (old) accumulators and the relevant national laws. The Battery directive provides the framework for an EU-wide treatment of old batteries.

The battery is marked with the crossed-out garbage bin symbol. Furthermore, a marking of the pollutants used is included, where "Pb" stands for lead, "Cd" for cadmium and "Hg" for mercury.

Disposable batteries and rechargeable battery containing lithium can be recognized by the marking "Li" or "Li-Ion" for lithium.

Batteries must not be disposed of with normal household waste! End users must dispose of used batteries exclusively via the manufacturer and the trade or the collection points specially set up for this purpose (legal obligation to return); the disposal is free of charge. Retailers and manufacturers are obliged to take these batteries back and recycle them properly or dispose of them as hazardous waste (legal obligation to take them back).

Batteries purchased from the manufacturer can be returned to the manufacturer free of charge after use. If the battery cannot be delivered in person to one of the branches, any instructions in the purchase contract or in the general terms and conditions of the point of sale must be observed.

For customers in other countries

The manufacturer recommends that the battery be disposed of in an environmentally friendly manner in a separate collection rather than in the normal household waste. National laws or regional regulations may also require batteries to be disposed of separately. Disposal of the battery in accordance with national regulations must therefore be ensured.

14 Accessories

14.1 Accessories



⚠ CAUTION

Risk of injury and possible machine damage!

Use of non-original spare parts or accessories can lead to injuries or machine damage.

- ▶ Only use original spare parts and accessories.
- ▶ In case of disregard, no liability will be accepted.



⚠ CAUTION

Stability of the machine with wheel set!

Tipping over or rolling away of the machine can lead to injuries or material damage.

- ▶ Park the machine safely.
- ▶ Secure the wheel set against rolling away or fold it up.



Water tank

Water tank with continuously adjustable sprinkler system, [see Safety instructions for operation on page 44](#).



Wheel set

Wheel set for easier transport on the construction site.



Slide mechanism

Surface protection, [see Safety instructions for operation on page 44.](#)

15 Technical Data

15.1 General instructions



Information

For system technical reasons, empty columns can be displayed in the technical data, and numbers and letters that written in superscript or subscript may be displayed incorrectly, e.g:

- ▶ Sound power level L_{WA} instead of L_{WA}
- ▶ Sound pressure level L_{pA} instead of L_{pA}
- ▶ Vibration total value a_{hv} instead of a_{hv}
- ▶ Carbon dioxide CO₂ instead of CO_2
- ▶ Unit m/s² instead of m/s^2

15.2 Noise and vibration data

The noise and vibration data listed have been determined in accordance with the following guidelines for the typical machine operating conditions / special test conditions and using harmonized standards:

- Machinery Directive 2006/42/EC
- Noise Emission Directive 2000/14/EC

During operational use, values may differ depending on the prevailing operating conditions.

Sound pressure level at operator station

- L_{pA} was determined according to EN ISO 11201 and EN 500-4.

Guaranteed sound power level

- L_{WA} was determined according to EN ISO 3744 and EN 500-4.

Weighted vibration total value hand-arm vibration

- a_{hv} was determined according to EN ISO 20643 and EN 500-4.

15.3 APS

Type	APS1030we	APS1030e
Material number machine	5100058917	5100059660
Rechargeable battery material number	5100025709 5100048620 5100060982	5100025709 5100048620 5100060982
Centrifugal force [kN]	10	10
Vibrations [Hz]	98	98
Vibrations [1/min]	5880	5880
Area output* [m ² /h]	500	500
Flow [m ³ /min]	26	26

Type	APS1030we	APS1030e
Material number machine	5100058917	5100059660
Gradeability [%]	46,6	46,6
Nominal power** [kW]	1,2	1,2
Rated current [A]	21,5	21,5
Rated voltage [V]	51	51
Protection type	IP23D	IP23D
Type of current (output)	DC	DC
Length (drawbar in working position) [mm]	930	930
Width [mm]	320	320
Height [mm]	663	663
Underclearance [mm]	663	663
Operating weight [kg]	53	50
Operating temperature range [°C]	0 - +40	0 - +40
Storage temperature range [°C]	-30 - +50	-30 - +50
Sound pressure level at operator station LpA [dB(A)]	86	86
Sound power level LWA, measured [dB(A)*	99	99
Sound power level LWA guaranteed [dB(A)]	105	105
Vibration total value ahv [m/s ²]	4	4
Measurement uncertainty of the total vibration value ahv [m/s ²]	0,5	0,5

*Depends on the soil conditions.

** Corresponds to the installed net power according to Directive 2000/14/EC.

Type	APS1135we	APS1135e
Material number machine	5100059661	5100059664
Rechargeable battery material number	5100025709 5100048620 5100060982	5100025709 5100048620 5100060982
Centrifugal force [kN]	11	11
Vibrations [Hz]	98	98
Vibrations [1/min]	5880	5880
Area output* [m ² /h]	546	546
Flow [m/min]	26	26
Gradeability [%]	46,6	46,6
Nominal power** [kW]	1,2	1,2
Rated current [A]	21,5	21,5
Rated voltage [V]	51	51
Protection type	IP23D	IP23D
Type of current (output)	DC	DC
Length (drawbar in working position) [mm]	930	930
Width [mm]	350	350
Height [mm]	663	663
Underclearance [mm]	663	663

Type	APS1135we	APS1135e
Material number machine	5100059661	5100059664
Operating weight [kg]	63	58
Operating temperature range [°C]	0 - +40	0 - +40
Storage temperature range [°C]	-30 - +50	-30 - +50
Sound pressure level at operator station LpA [dB(A)]	85	85
Sound power level LWA, measured [dB(A)*	98	98
Sound power level LWA guaranteed [dB(A)]	105	105
Vibration total value ahv [m/s ²]	4,9	4,9
Measurement uncertainty of the total vibration value ahv [m/s ²]	0,5	0,5
*Depends on the soil conditions.		
** Corresponds to the installed net power according to Directive 2000/14/EC.		

Type	APS1340we	APS1340e
Material number machine	5100059663	5100060128
Rechargeable battery material number	5100025709 5100048620 5100060982	5100025709 5100048620 5100060982
Centrifugal force [kN]	13	13
Vibrations [Hz]	98	98
Vibrations [1/min]	5880	5880
Area output* [m ² /h]	624	624
Flow [m/min]	26	26
Gradeability [%]	46,6	46,6
Nominal power** [kW]	1,2	1,2
Rated current [A]	21,5	21,5
Rated voltage [V]	51	51
Protection type	IP23D	IP23D
Type of current (output)	DC	DC
Length (drawbar in working position) [mm]	930	930
Width [mm]	400	400
Height [mm]	663	663
Underclearance [mm]	663	663
Operating weight [kg]	75	68
Operating temperature range [°C]	0 - +40	0 - +40
Storage temperature range [°C]	-30 - +50	-30 - +50
Sound pressure level at operator station LpA [dB(A)]	91	91
Sound power level LWA, measured [dB(A)*	100	100
Sound power level LWA guaranteed [dB(A)]	105	105
Vibration total value ahv [m/s ²]	3,1	3,1
Measurement uncertainty of the total vibration value ahv [m/s ²]	0,5	0,5

Type	APS1340we	APS1340e
Material number machine	5100059663	5100060128
*Depends on the soil conditions.		
** Corresponds to the installed net power according to Directive 2000/14/EC.		

Type	APS1550we	APS1550e
Material number machine	5100061220	5100061219
Rechargeable battery material number	5100025709 5100048620 5100060982	5100025709 5100048620 5100060982
Centrifugal force [kN]	15	15
Vibrations [Hz]	98	98
Vibrations [1/min]	5880	5880
Area output* [m ² /h]	750	750
Flow [m/min]	25	25
Gradeability [%]	46,6	46,6
Nominal power** [kW]	1,2	1,2
Rated current [A]	21,5	21,5
Rated voltage [V]	51	51
Protection type	IP23D	IP23D
Type of current (output)	DC	DC
Length (drawbar in working position) [mm]	970	970
Width [mm]	500	500
Height [mm]	663	663
Underclearance [mm]	663	663
Operating weight [kg]	82,1	76,7
Operating temperature range [°C]	0 - +40	0 - +40
Storage temperature range [°C]	-30 - +50	-30 - +50
Sound pressure level at operator station L _{pA} [dB(A)]	89	89
Sound power level L _{WA} , measured [dB(A)*]	104	104
Sound power level L _{WA} guaranteed [dB(A)]	105	105
Vibration total value a _{hv} [m/s ²]	< 2,5	< 2,5
Measurement uncertainty of the total vibration value a _{hv} [m/s ²]	0,5	0,5
*Depends on the soil conditions.		
** Corresponds to the installed net power according to Directive 2000/14/EC.		

Type	APS2050we	APS2050e
Material number machine	5100061222	5100061221
Rechargeable battery material number	5100025709 5100048620 5100060982	5100025709 5100048620 5100060982
Centrifugal force [kN]	20	20
Vibrations [Hz]	98	98

Type	APS2050we	APS2050e
Material number machine	5100061222	5100061221
Vibrations [1/min]	5880	5880
Area output* [m ² /h]	750	750
Flow [m/min]	25	25
Gradeability [%]	46,6	46,6
Nominal power** [kW]	1,2	1,2
Rated current [A]	21,5	21,5
Rated voltage [V]	51	51
Protection type	IP23D	IP23D
Type of current (output)	DC	DC
Length (drawbar in working position) [mm]	970	970
Width [mm]	500	500
Height [mm]	663	663
Underclearance [mm]	663	663
Operating weight [kg]	92,1	86,7
Operating temperature range [°C]	0 - +40	0 - +40
Storage temperature range [°C]	-30 - +50	-30 - +50
Sound pressure level at operator station LpA [dB(A)]	89	89
Sound power level LWA, measured [dB(A*)	104	104
Sound power level LWA guaranteed [dB(A)]	105	105
Vibration total value ahv [m/s ²]	< 2,5	< 2,5
Measurement uncertainty of the total vibration value ahv [m/s ²]	0,5	0,5
*Depends on the soil conditions.		
** Corresponds to the installed net power according to Directive 2000/14/EC.		

15.4 Rechargeable battery



Information

Compatible chargers!

Only use the following chargers:

- ▶ C48/4
- ▶ C48/7
- ▶ C48/13
- ▶ C48/13 Systainer

Type	BP500
Rechargeable battery material number	5100060982
Rated voltage [V]	51
Type of current (output)	DC
Length [mm]	296
Width [mm]	396

Type	BP500
Rechargeable battery material number	5100060982
Height [mm]	322
Weight [kg]	6,35
Labeling	14INR19/65-8
Rechargeable battery type	Lithium-ions
Energy content [Wh]	504
Capacity [Ah]	10
Protection type	IP2X
Storage temperature range [°C]	-30 - +50
Operating temperature range [°C]	-10 - +50
Operating temperature range charging [°C]	0 - +45
Rechargeable battery runtime [min] APS1030	30
Rechargeable battery runtime [min] APS1135	30
Rechargeable battery runtime [min] APS1340	30
Rechargeable battery runtime [min] APS1550	30
Rechargeable battery runtime [min] APS2050	30

Type	BP1000
Rechargeable battery material number	5100025709
Rated voltage [V]	51
Type of current (output)	DC
Length [mm]	296
Width [mm]	396
Height [mm]	322
Weight [kg]	9,3
Labeling	14INR19/65-8
Rechargeable battery type	Lithium-ions
Energy content [Wh]	1008
Capacity [Ah]	20
Protection type	IP2X
Storage temperature range [°C]	-30 - +50
Operating temperature range [°C]	-10 - +50
Operating temperature range charging [°C]	0 - +45
Rechargeable battery runtime [min] APS1030	60
Rechargeable battery runtime [min] APS1135	60
Rechargeable battery runtime [min] APS1340	60
Rechargeable battery runtime [min] APS1550	60
Rechargeable battery runtime [min] APS2050	60

Type	BP1400
Rechargeable battery material number	5100048620
Rated voltage [V]	51
Type of current (output)	DC

Type	BP1400
Rechargeable battery material number	5100048620
Length [mm]	296
Width [mm]	396
Height [mm]	322
Weight [kg]	9,6
Labeling	14INR19/66-8
Rechargeable battery type	Lithium-ions
Energy content [Wh]	1425
Capacity [Ah]	28
Protection type	IP2X
Storage temperature range [°C]	-30 - +50
Operating temperature range [°C]	-10 - +50
Operating temperature range charging [°C]	0 - +45
Rechargeable battery runtime [min] APS1030	90
Rechargeable battery runtime [min] APS1135	90
Rechargeable battery runtime [min] APS1340	90
Rechargeable battery runtime [min] APS1550	90
Rechargeable battery runtime [min] APS2050	90

15.5 Battery charger



Information

Compatible rechargeable batteries!

Only use the following rechargeable batteries:

- ▶ BP500
- ▶ BP1000 with production date 08/2019 or later (see type label)
- ▶ BP1400
- ▶ Other incompatible rechargeable batteries switch off automatically after 30 seconds and do not release any voltage at the plug receptacle.



Information

Technical data of other compatible chargers can be found in the respective operating instructions.

Type	C48/4
Material number machine	5100006221
Rated voltage [V]	230 (90 – 265)
Type of current (input)	AC
Phases [~]	1
Rated current [A]	<3
Rated frequency [Hz]	50 – 60

Type	C48/4
Material number machine	5100006221
Type of current (output)	DC
Output current [A]	4 +/-0,5
Output voltage max. [V]	57,6
Length [mm]	190
Width [mm]	145
Height [mm]	65
Weight [kg]	2
Power cable [mm]	1500
Supply cable [mm]	1800
Protection class	II
Protection type	IP54
Storage temperature range [°C]	-30 - +50
Operating temperature range [°C]	0 - +45



**WACKER
NEUSON**
all it takes!

**Wacker Neuson Produktion GmbH &
Co. KG**

Wackerstraße 6
D-85084 Reichertshofen

Tel.: +49 8453 340-0
EMail: service-LE@wackerneuson.com
www.wackerneuson.com

Material Number: 5100060593

Language: [en]