

weberm_t

CR 8 / CR 9



Reversible Soil Compactors

CR 8 / CR 9
and
CR 8 / CR 9
with COMPATROL®

The new premium class

They raise the bar in the premium class of manually operated soil compactors: CR 8 and CR 9 made by Weber MT.

Their range of application spans from classic earthworks to paving. The balanced operating characteristics, low hand-arm vibrations and ergonomically designed handles allow you to work without getting tired and guarantee a high degree of user comfort.

Handy features include the lockable fold-up guide bars, which let operators adjust the unit to their height, and the large lifting eye, which make it possible to load the vibrating plates in a quick and safe manner.

Models CR 8 CCD and CR 9 CCD are equipped with COMPATROL® compacting control. The system indicates weak spots in the soil, making it possible to perform the necessary corrections early. The system also helps you cut down your compacting runs by 25 percent as its technology will detect when the soil is fully compacted. Models CR 8 MSM and CR 9 MSM also include machine and service management features.



CR 8 and CR 9: powerful – sturdy – reliable

Advantages

- ▶ Great power reserves of the engines. Lower power losses thanks to force transmission by V-belt.
- ▶ Extended service life of the engines thanks to reduced dust in the engine compartment. Aspiration of cooling and combustion air from the operator side.
- ▶ Low maintenance requirements thanks to, e.g., due to the centrifugal clutch with automatic tensioning feature.
- ▶ Throttle cables safely installed inside the manual guide bar.
- ▶ Variable working widths thanks to the use of extension plates.
- ▶ E-start is standard.



Special features of the CR 9

- ▶ Infinitely variable, electro-hydraulic tip control.
- ▶ Precise, reliable and convenient switch between forward and reverse travel.
- ▶ In-place compaction.
- ▶ „Safety button“ will switch from reverse to forward travel upon contact.



Unobstructed access to all maintenance points – maintenance cover in the front.



Fully protected engine thanks to protection frame and engine enclosure.



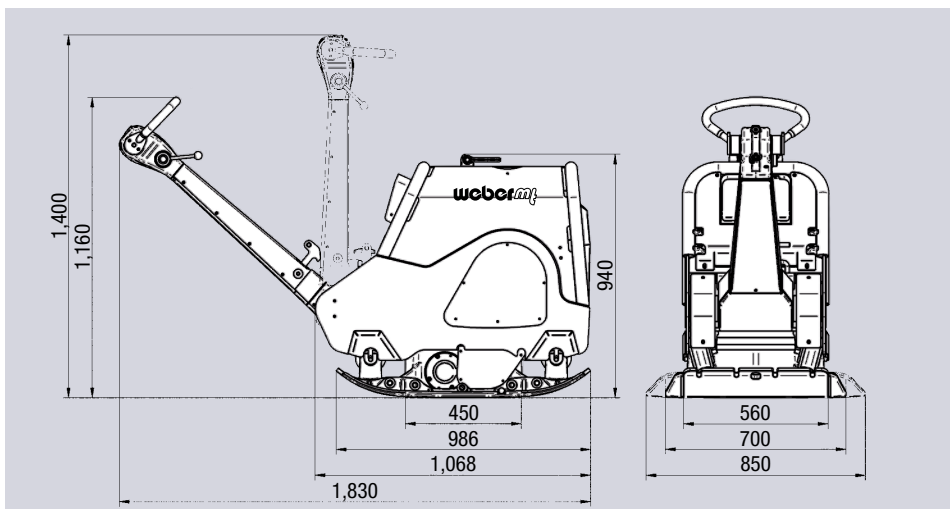
Everything under control.

COMPATROL® MSM: Compaction control, machine and service management with e-start, operating hour meter, maintenance control and indicator for operational disruptions.

Technical data

Type		CR 8 / CR 8 CCD / CR 8 MSM	CR 9 / CR 9 CCD / CR 9 MSM
Operating weight to CECE	kg (lbs)	601 / 603 / 605 (1,325 / 1,329 / 1,334)	737 / 739 / 741 (1,625 / 1,629 / 1,634)
Centrifugal force	kN (lbs)	75 (16,875)	100 (22,500)
Frequency	Hz (r.p.m.)	67 (4,020)	65 (3,900)
Operating width	mm/in.	700 (850*) / 28 (34*)	750 (900*) / 30 (35*)
Engine manufacturer		Hatz 1D81Z	Hatz 1D90Z
Engine type		Diesel	Diesel
Engine power output, max.	kW (HP)	10.3 (14.1)	11.2 (15.3)
Power output at operating speed	kW (HP)	9.5 (13.0) at 2,700 rpm	11.0 (15.1) at 3,000 rpm
Working speed	m/min. (ft/min.)	0-28 (0-92)	0-28 (0-92)

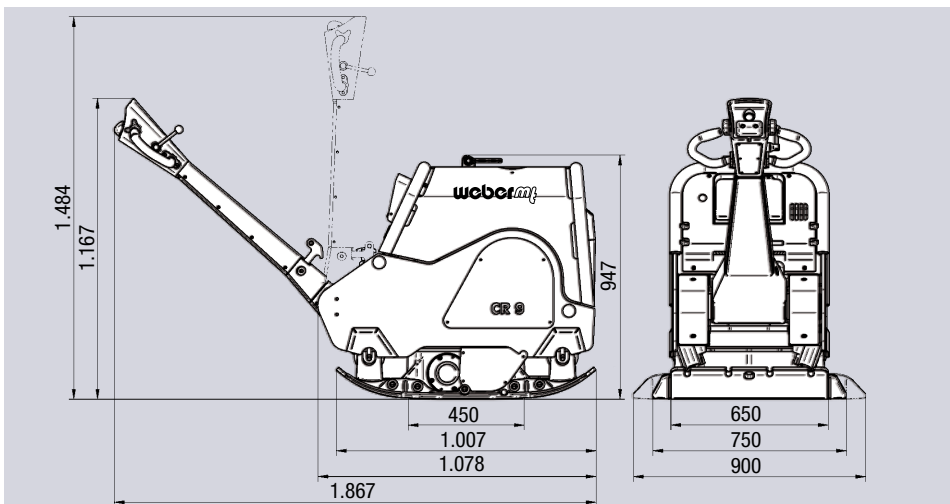
We reserve the right to alter specifications. *With extension plates (optional).



Dimensions in mm.



CR 8



Dimensions in mm.



CR 9